



US00D528139S

(12) **United States Design Patent**
Hwa

(10) **Patent No.:** **US D528,139 S**

(45) **Date of Patent:** **** Sep. 12, 2006**

(54) **BINOCULARS**

(76) **Inventor:** **Lee Li Hwa**, Caro Industry Area,
Danzo, Danzo Town, Naohai, Foshan,
Guangdong (CN)

(**) **Term:** **14 Years**

(21) **Appl. No.:** **29/238,564**

(22) **Filed:** **Sep. 16, 2005**

(51) **LOC (8) Cl.** **16-06**

(52) **U.S. Cl.** **D16/133**

(58) **Field of Classification Search** D16/130,
D16/132, 133; 359/408, 409, 410, 411, 412,
359/413, 414, 415, 416, 417, 418, 419, 420
See application file for complete search history.

(56) **References Cited**

U.S. PATENT DOCUMENTS

D338,027 S	*	8/1993	Ushiyama	D16/133
D359,972 S	*	7/1995	Takahashi	D16/133
D412,177 S	*	7/1999	Fujii	D16/133
D440,584 S	*	4/2001	Lee	D16/133
D448,394 S	*	9/2001	Ueda et al.	D16/133
D468,758 S	*	1/2003	Nagaoka	D16/133
D472,257 S	*	3/2003	Fujii	D16/133
D486,507 S	*	2/2004	Fujii	D16/133
D492,335 S	*	6/2004	Watanabe	D16/133

OTHER PUBLICATIONS

Vanguard USA, Inc., "Guardforce 2002 Brochure", 2002,
pp. 1, 2 and 4.

Vanguard USA, Inc., Winchester 2002 Sporting Goods
Brochure, 2002, pp. 1-12, rear cover.

Vanguard USA, Inc., "Vanguard Optics Brochure", pp.
1-14, front cover, rear cover.

* cited by examiner

Primary Examiner—Paula A. Greene

(74) *Attorney, Agent, or Firm*—Butzel Long

(57) **CLAIM**

The ornamental design for binoculars, as shown and
described.

DESCRIPTION

FIG. 1 is a perspective view of the binoculars of the present
invention;

FIG. 2 is a top plan view thereof;

FIG. 3 is a bottom plan view thereof;

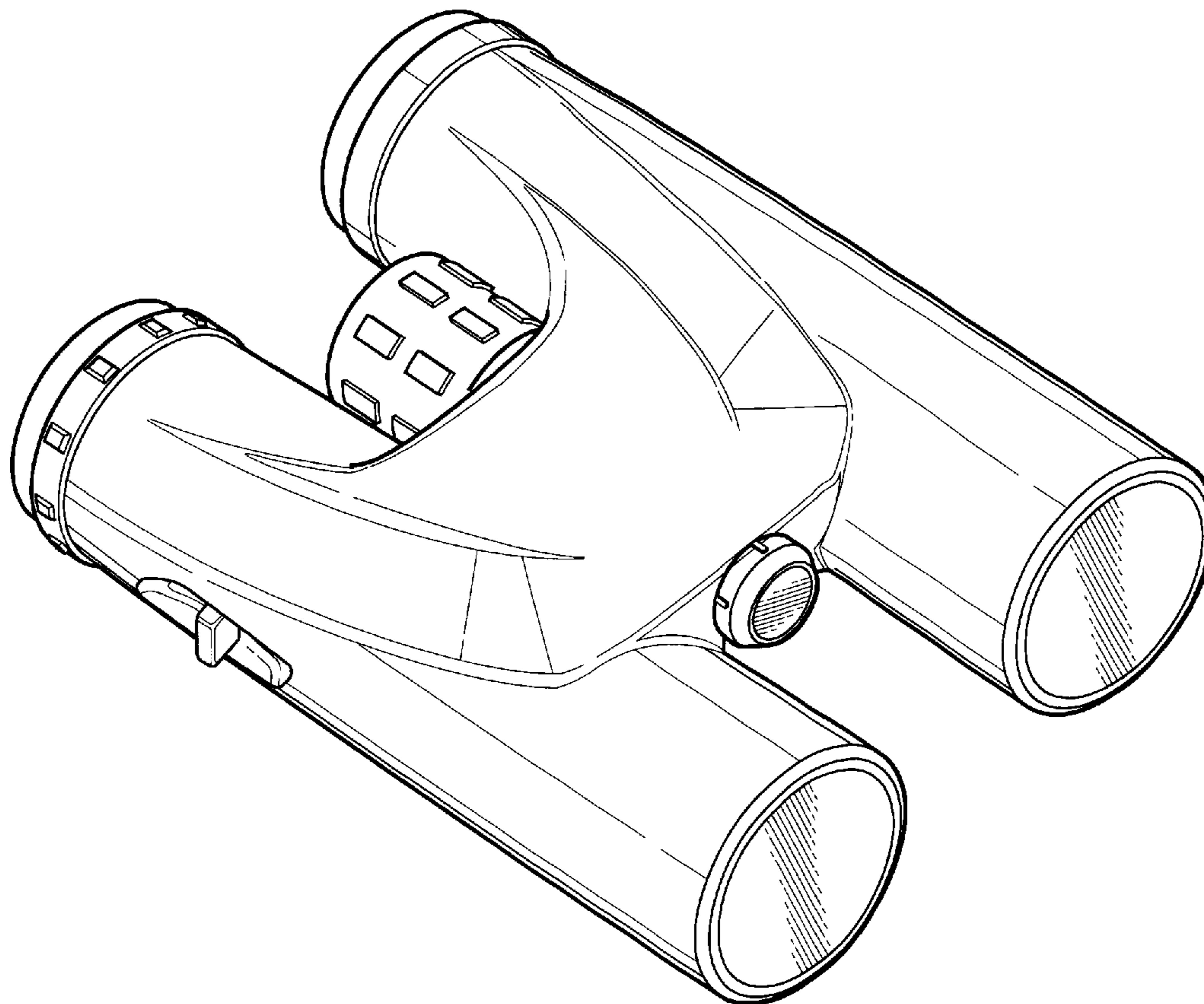
FIG. 4 is a rear elevation view thereof;

FIG. 5 is a front elevation view thereof;

FIG. 6 is a left side elevation view thereof; and,

FIG. 7 is a right side elevation view thereof.

1 Claim, 5 Drawing Sheets



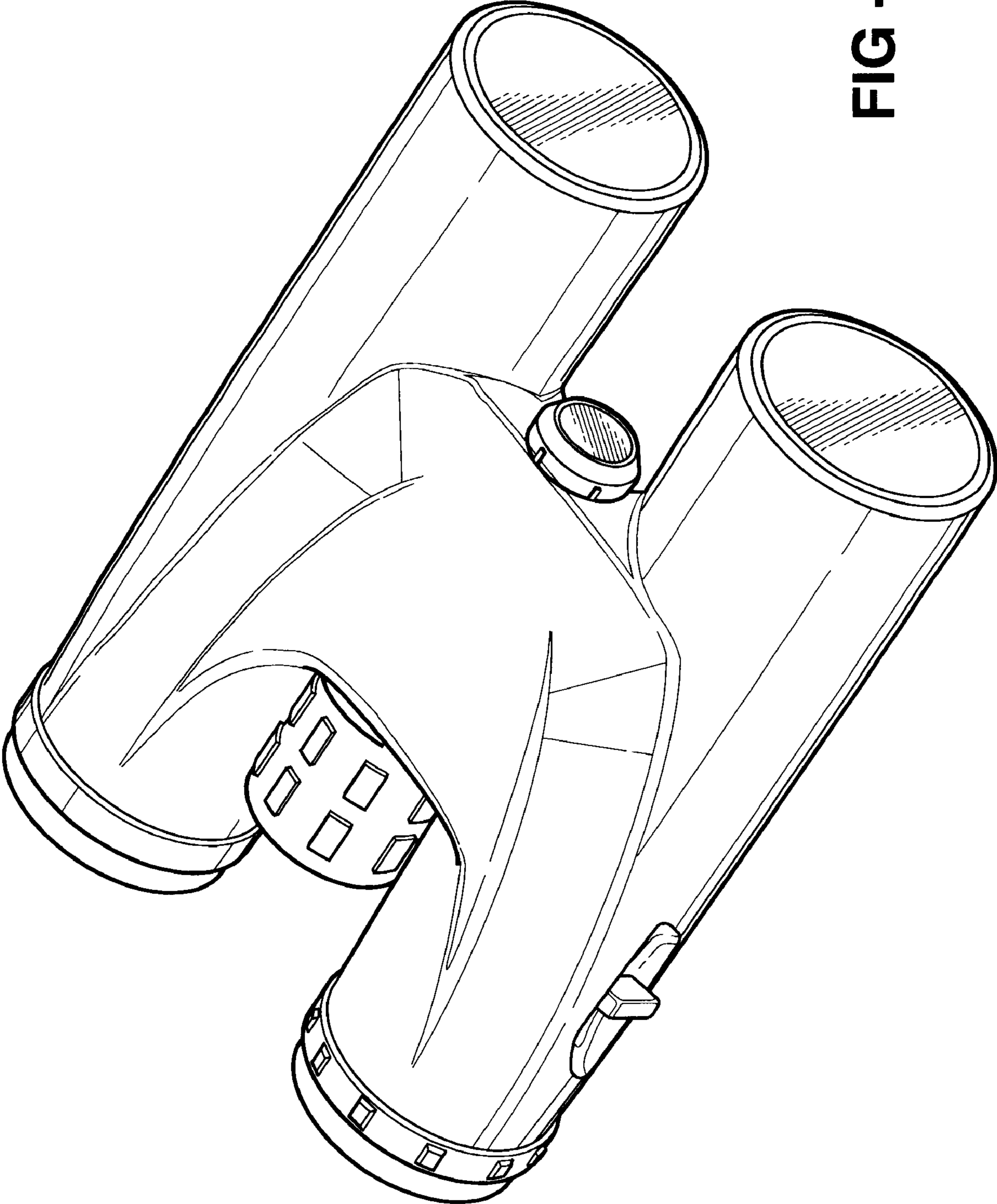


FIG - 1

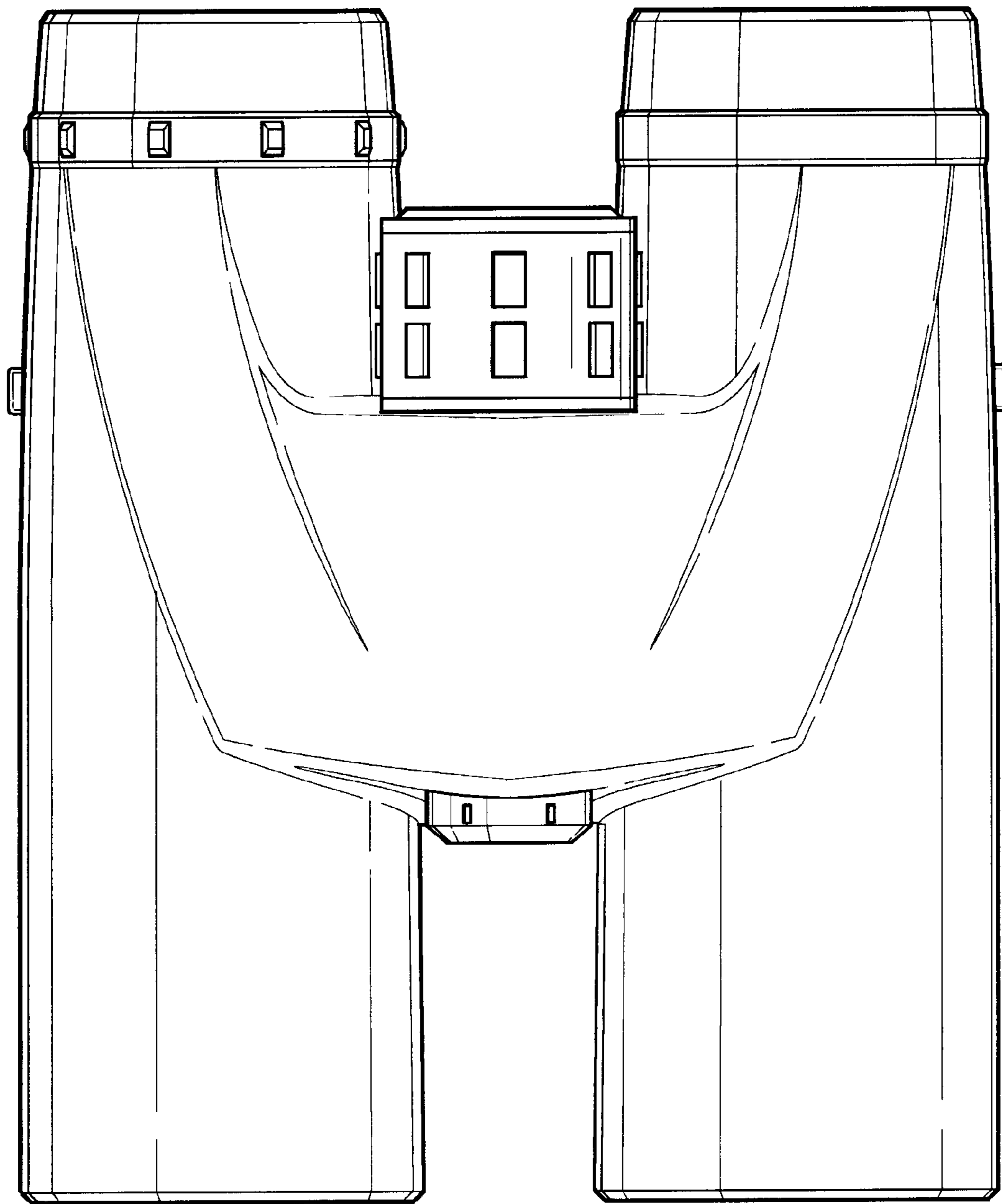


FIG - 2

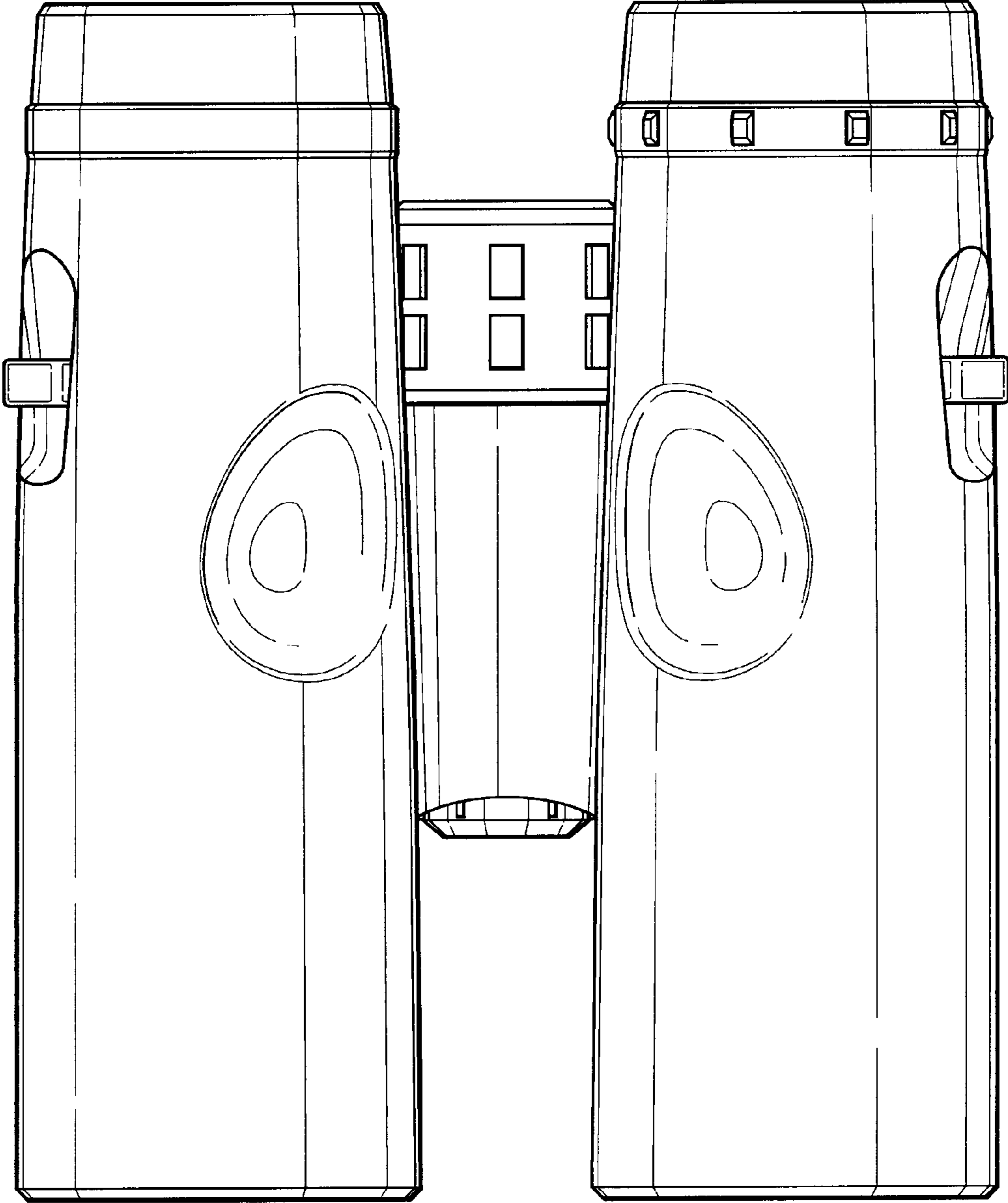


FIG - 3

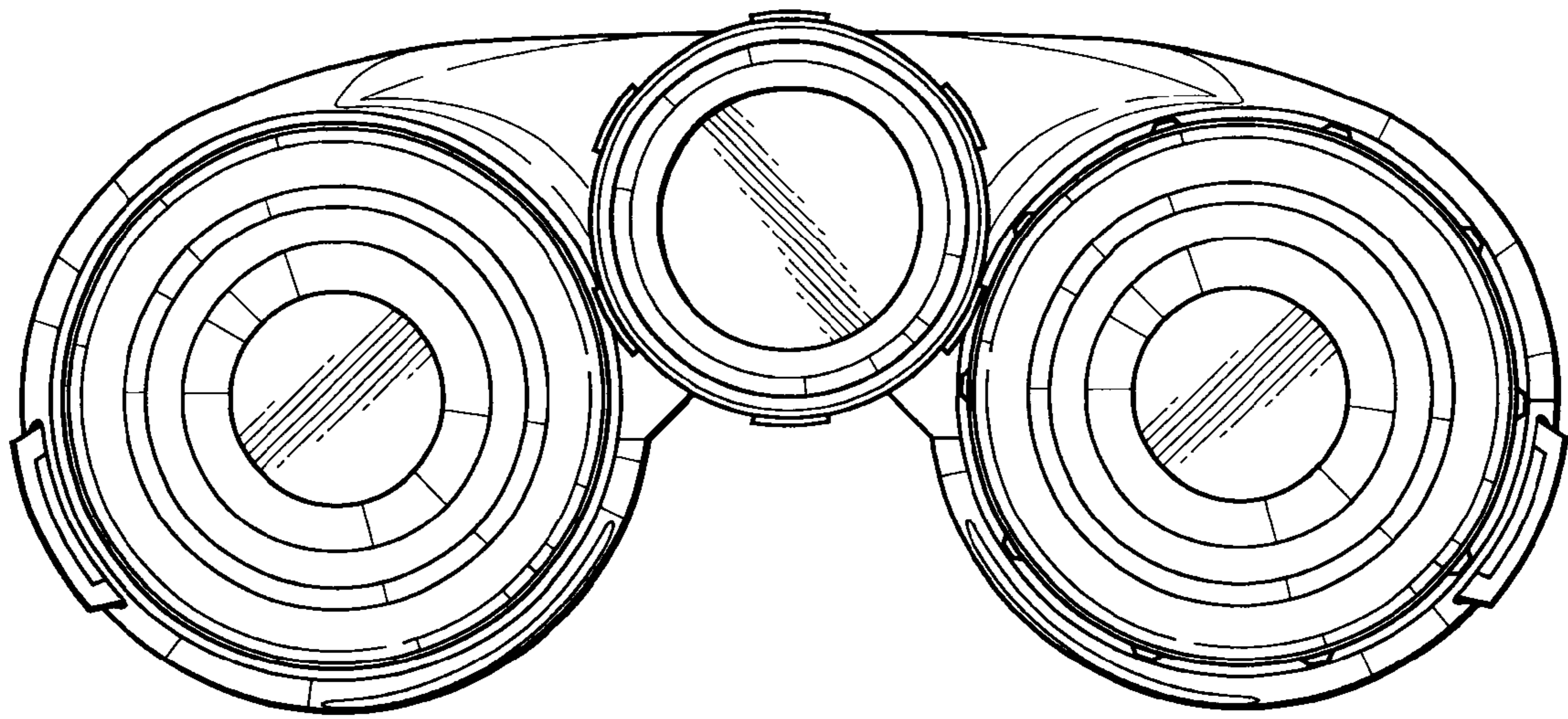


FIG - 4

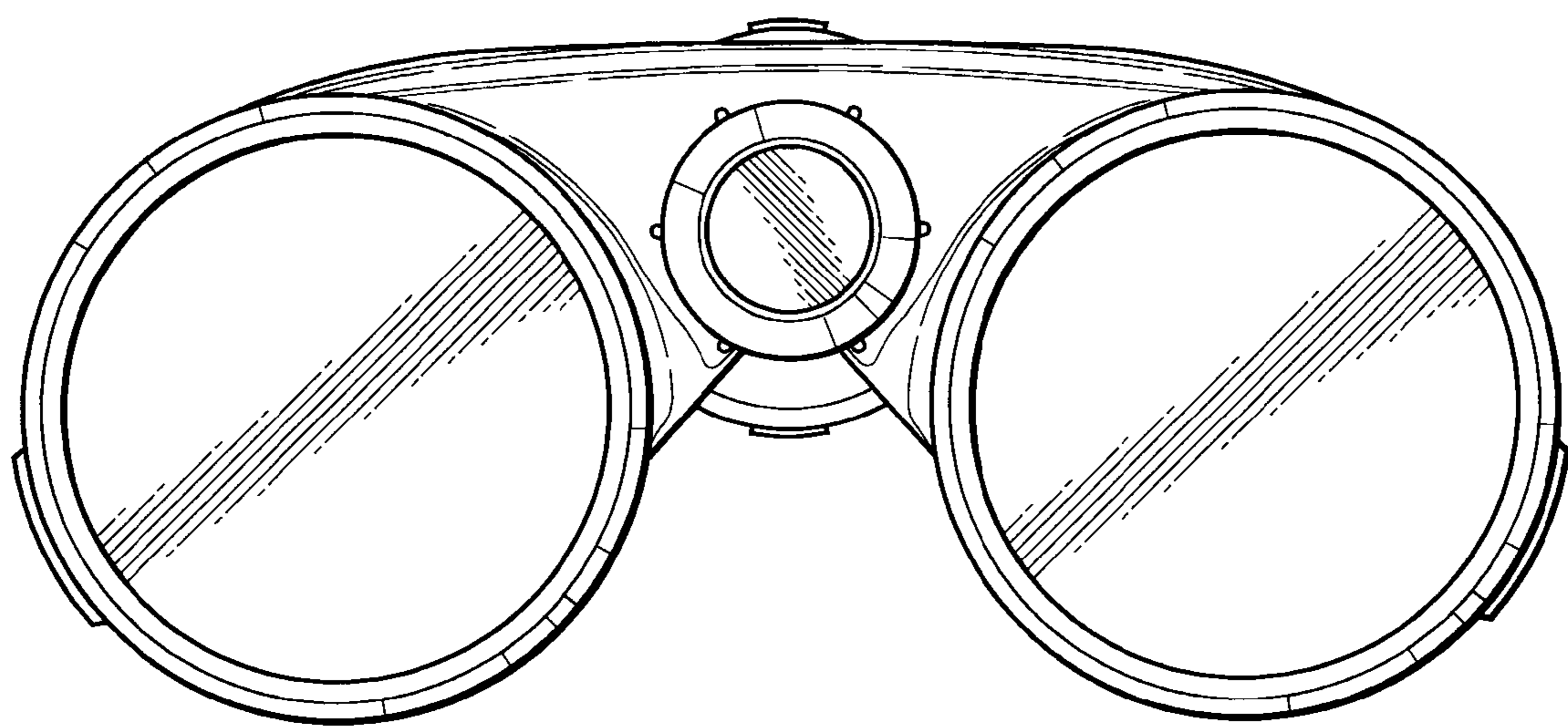


FIG - 5

FIG - 6

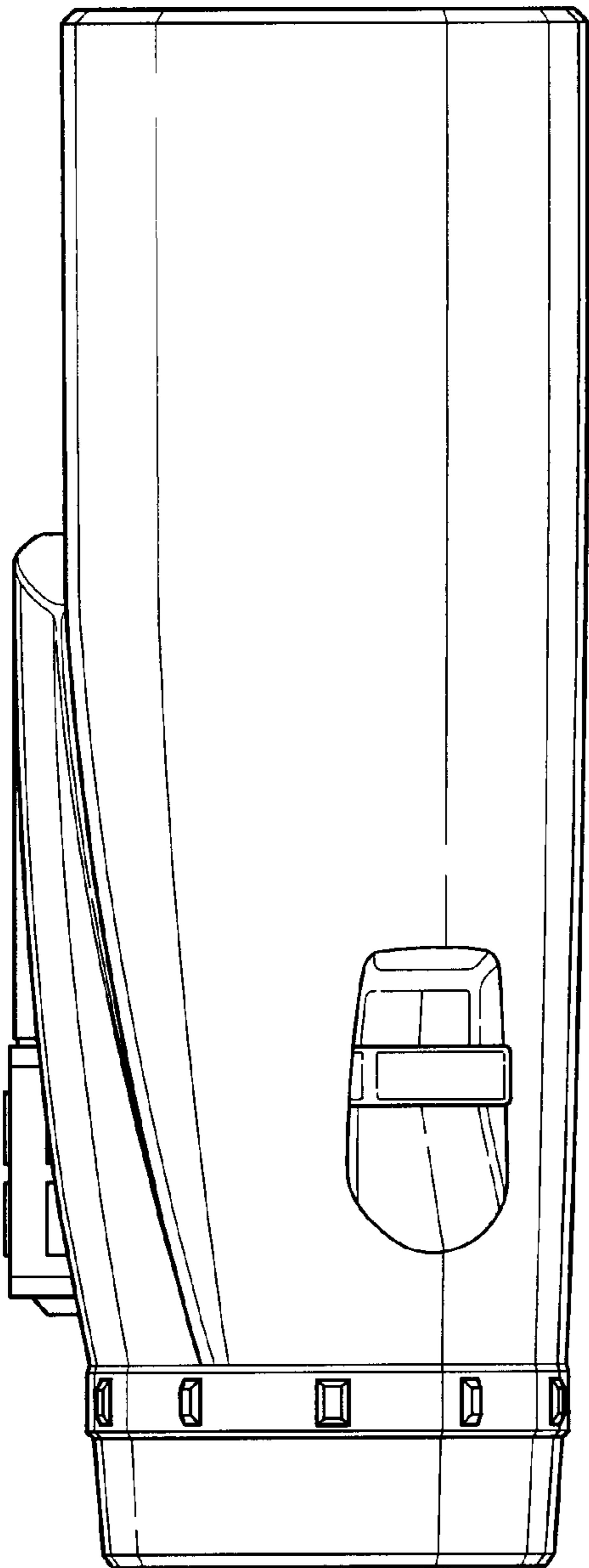


FIG - 7

