



US00D528137S

(12) **United States Design Patent**
Huang

(10) **Patent No.:** **US D528,137 S**

(45) **Date of Patent:** **** Sep. 12, 2006**

(54) **SEALING MACHINE**

D454,894 S * 3/2002 Chou D15/146
6,919,537 B1 * 7/2005 Chang 219/243

(76) Inventor: **Joseph Huang**, 485 W. Wistaria Ave.,
Arcadia, CA (US) 91007

* cited by examiner

(**) Term: **14 Years**

Primary Examiner—Antoine D. Davis

Assistant Examiner—Patricia Palasik

(21) Appl. No.: **29/219,550**

(74) *Attorney, Agent, or Firm*—Alan D. Kamrath; Nikolai
& Mersereau, P.A.

(22) Filed: **Dec. 17, 2004**

(57) **CLAIM**

(51) **LOC (8) Cl.** **15-09**

The ornamental design for a sealing machine, as shown and
described.

(52) **U.S. Cl.** **D15/146**

(58) **Field of Classification Search** D15/145,
D15/146; 156/583.6; 219/227, 229, 233,
219/243

DESCRIPTION

See application file for complete search history.

FIG. 1 is a perspective view of a sealing machine showing
my new design;

FIG. 2 is a front side elevational view thereof;

FIG. 3 is a rear side elevational view thereof;

FIG. 4 is a left side elevational view thereof;

FIG. 5 is a right side elevational view thereof;

FIG. 6 is a top plan view thereof; and,

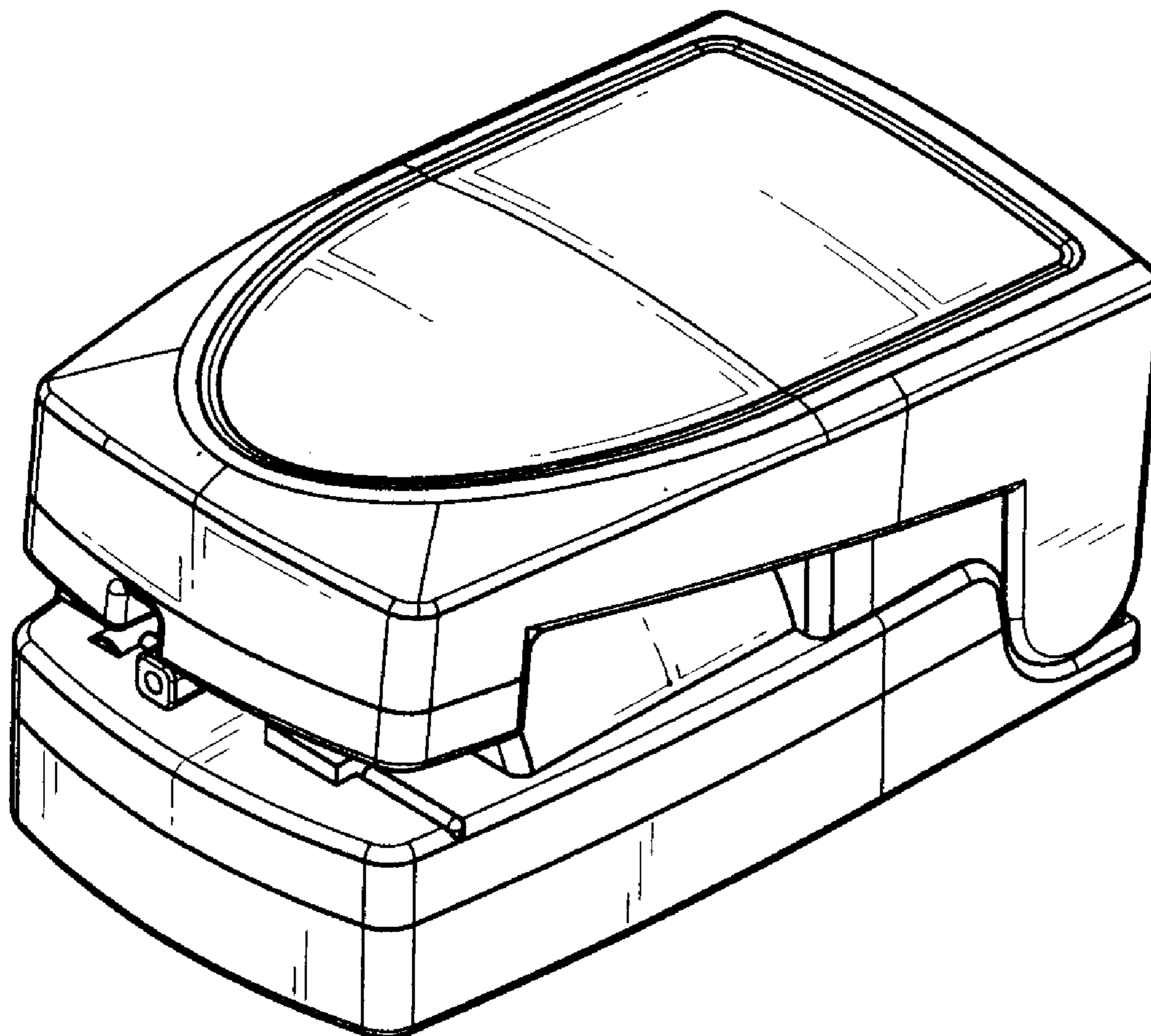
FIG. 7 is a bottom plan view thereof.

(56) **References Cited**

U.S. PATENT DOCUMENTS

D328,750 S	*	8/1992	Chou	D15/146
D401,950 S	*	12/1998	Chou	D15/146
5,854,466 A	*	12/1998	Chou	219/227
D411,554 S	*	6/1999	Lee	D15/146
6,064,038 A	*	5/2000	Chou et al.	219/233

1 Claim, 3 Drawing Sheets



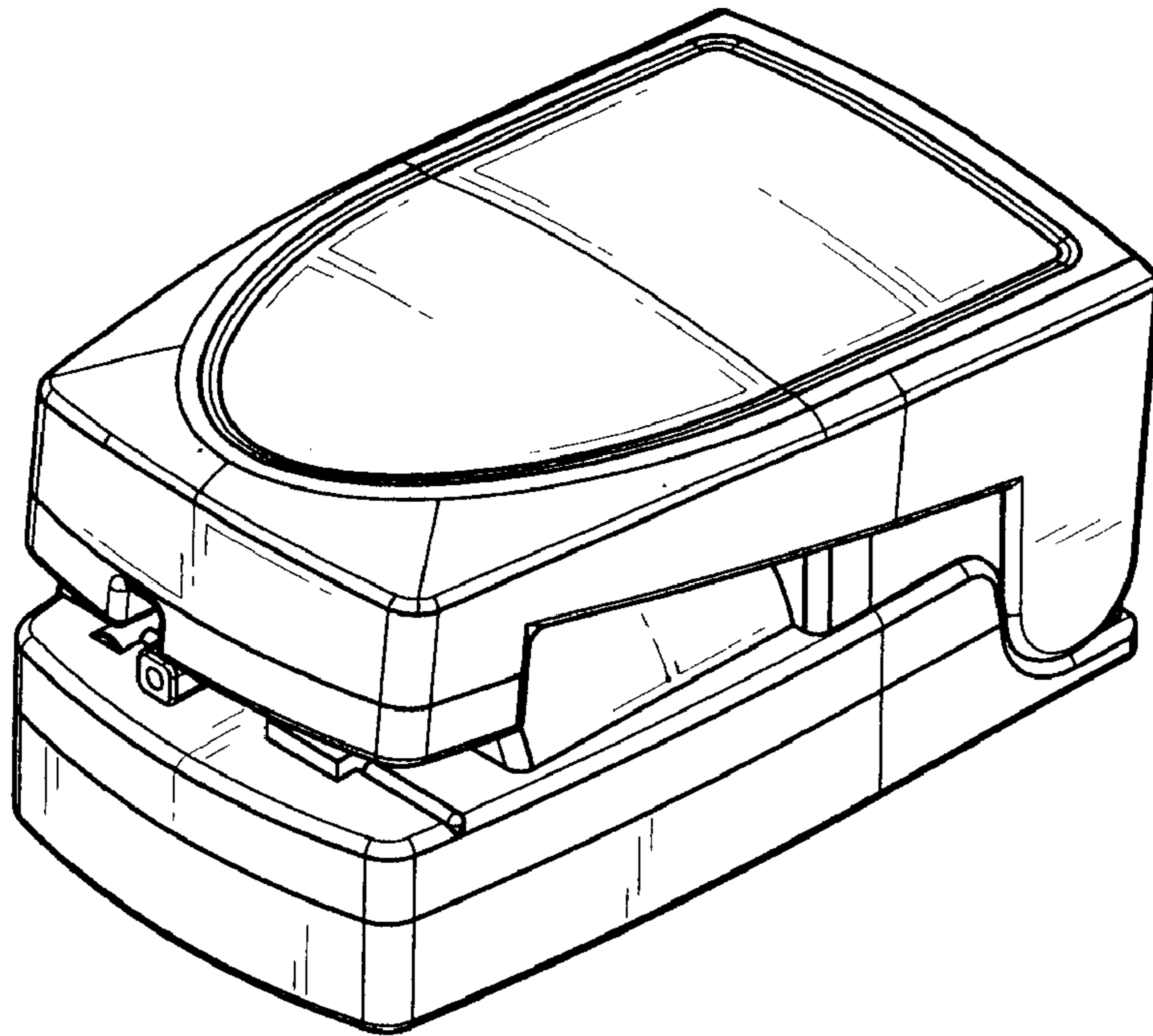


FIG. 1

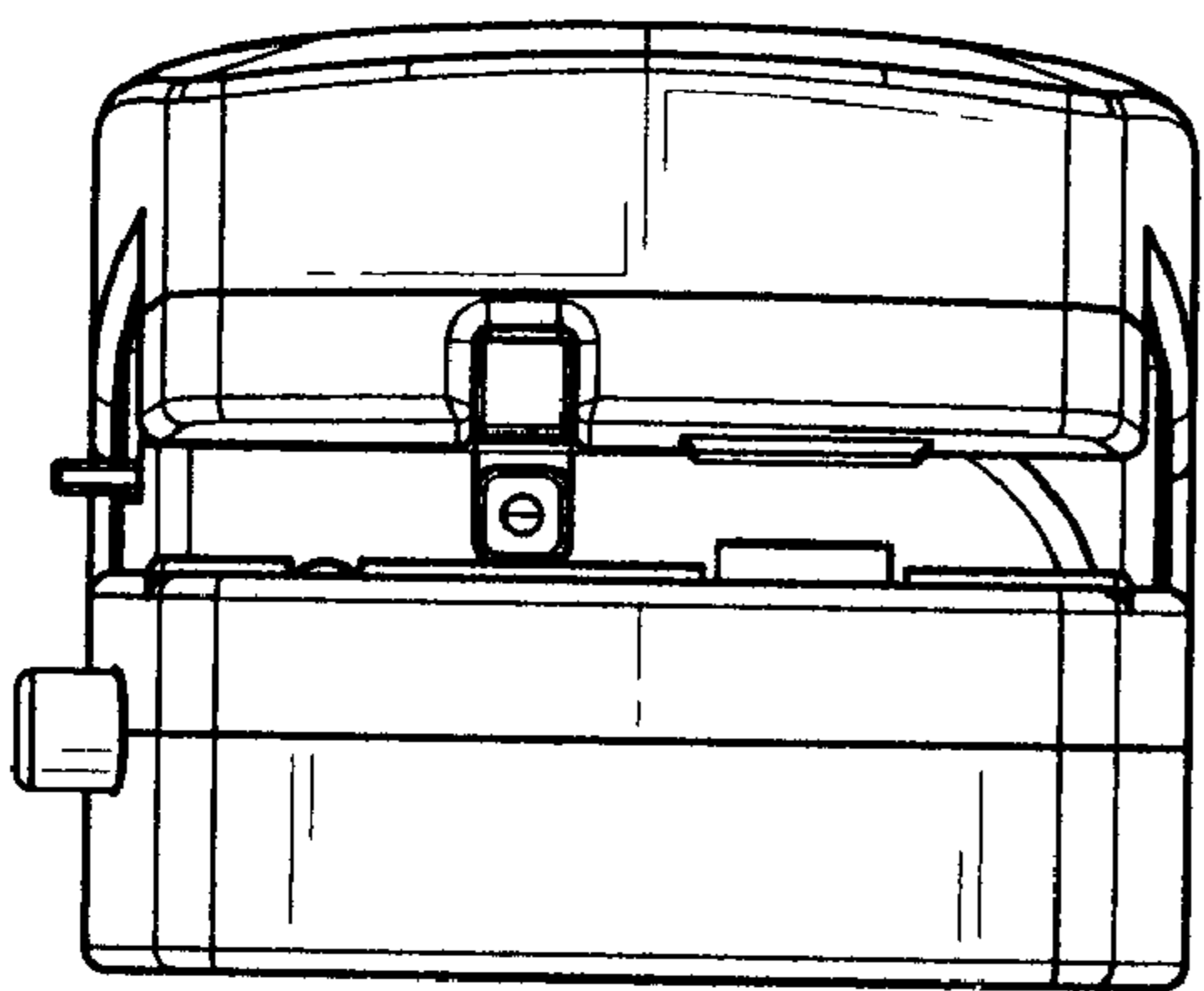


FIG. 2

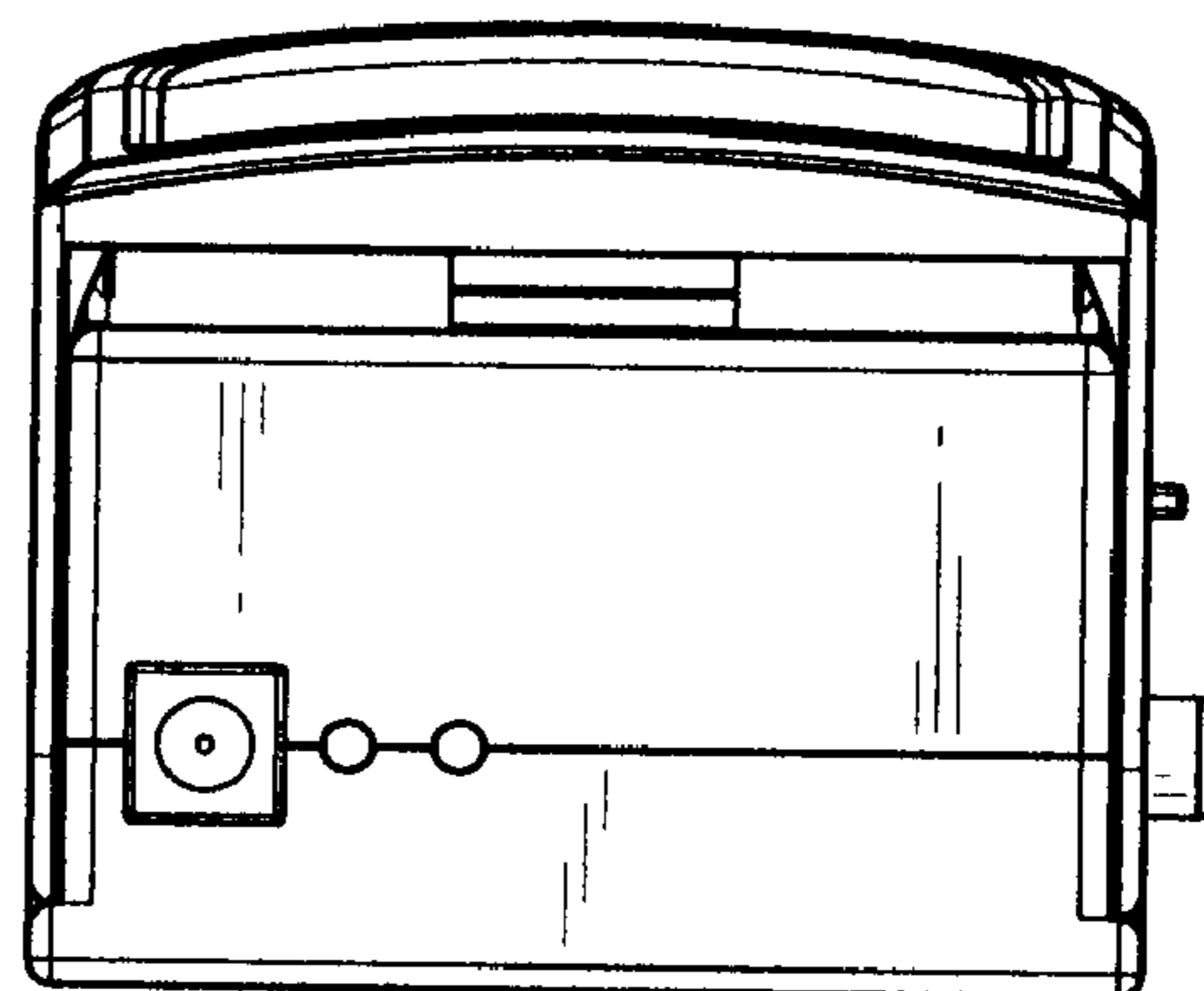


FIG. 3

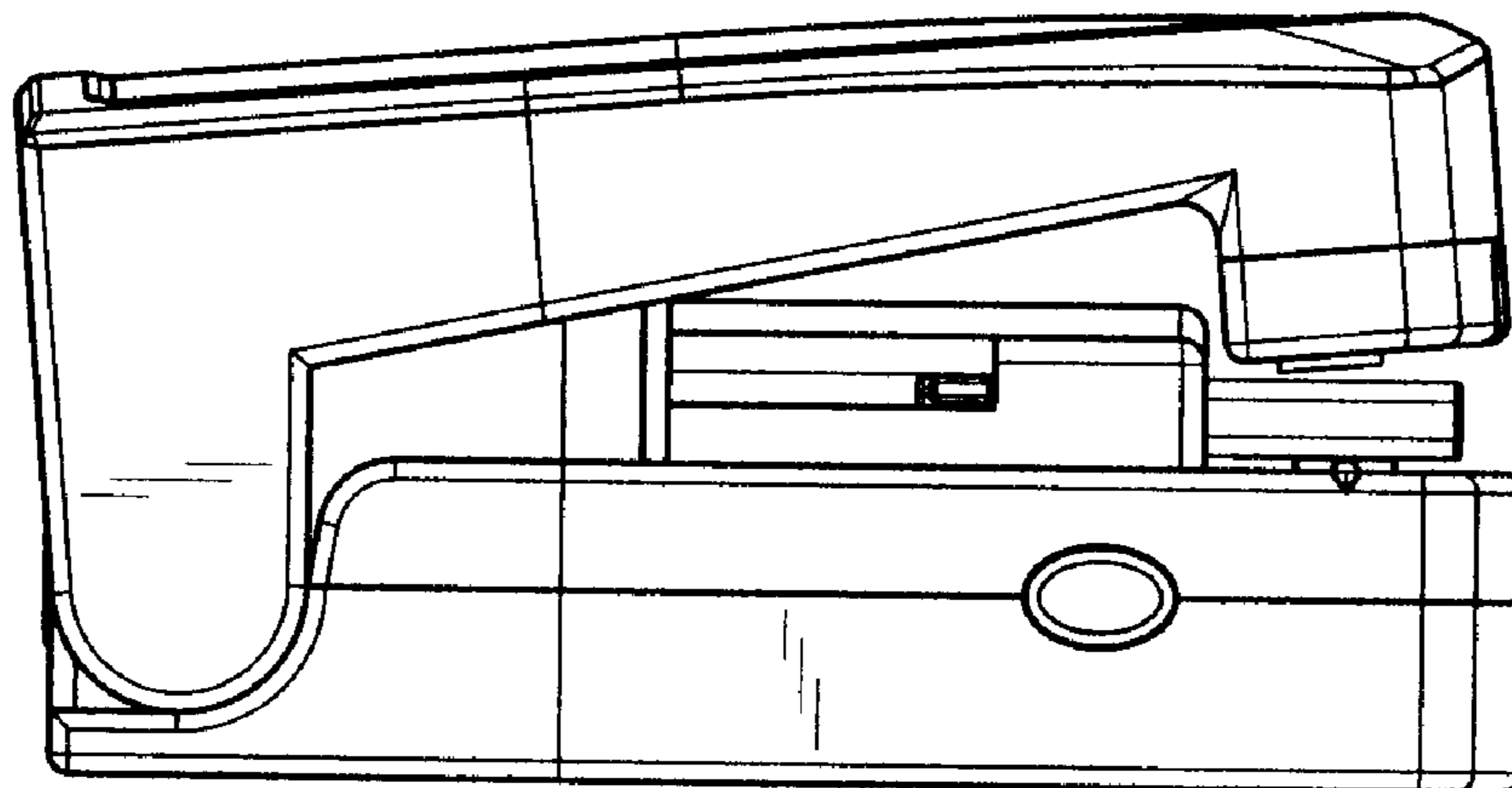


FIG. 4

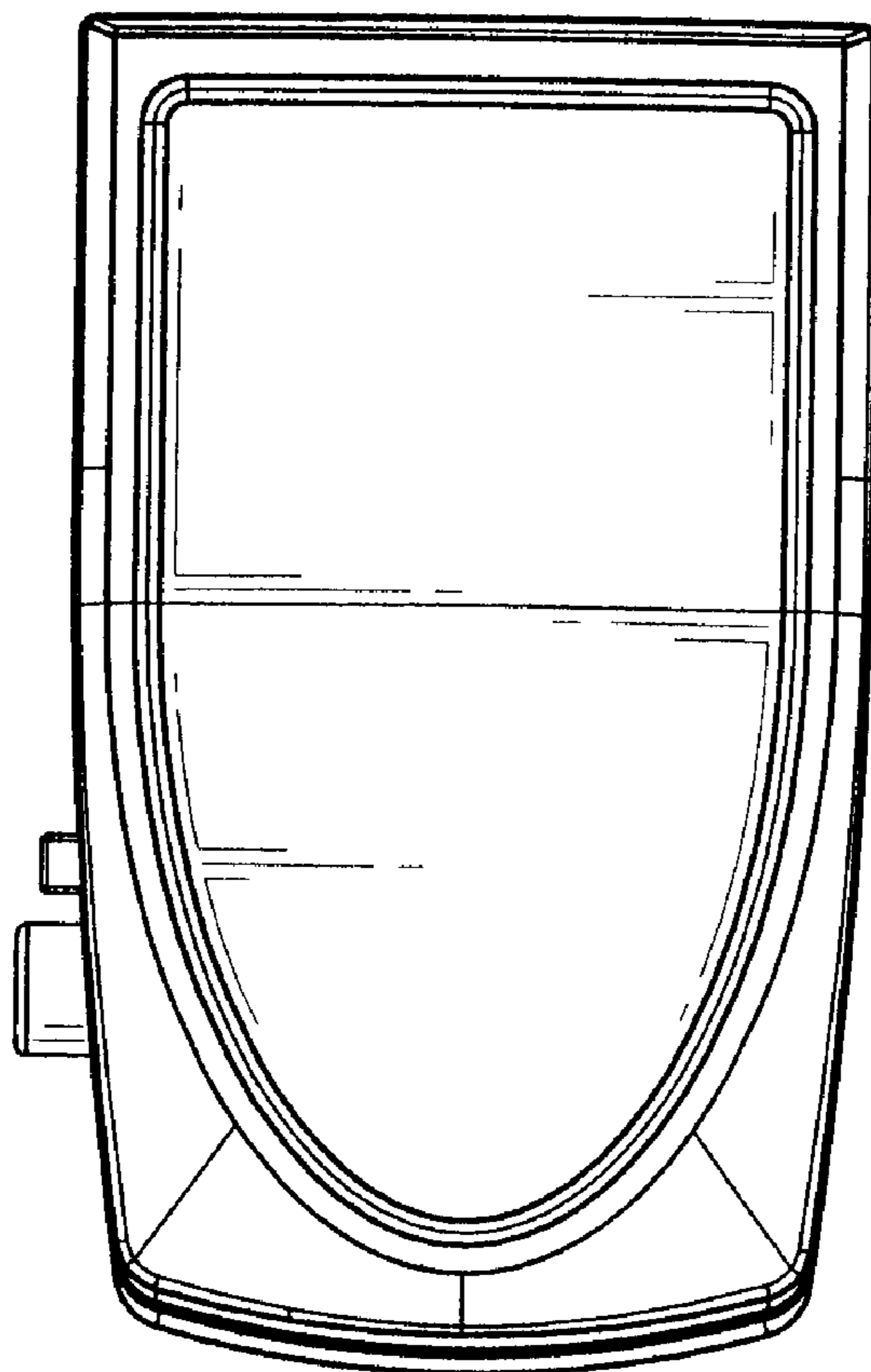


FIG. 6

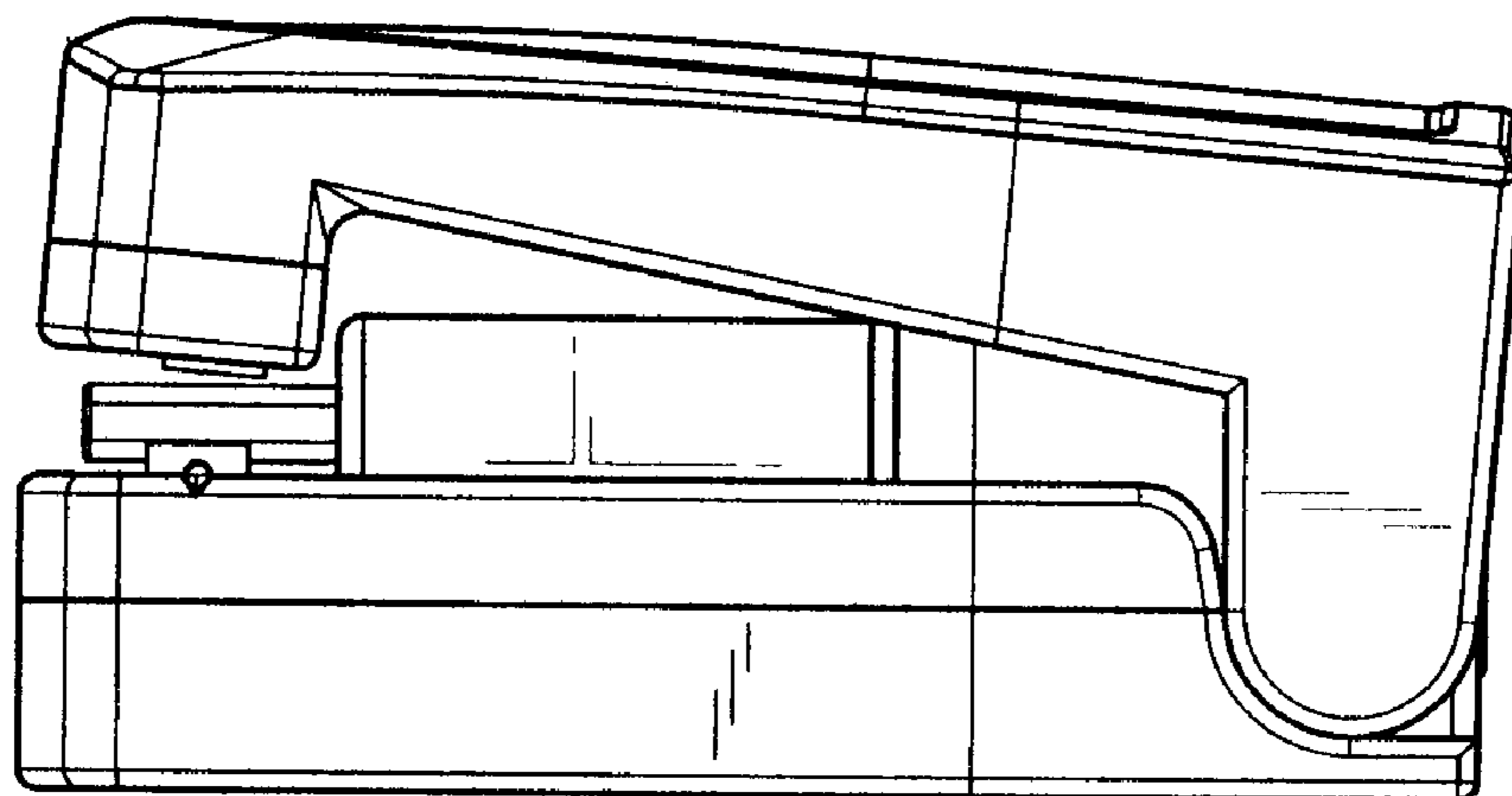


FIG. 5

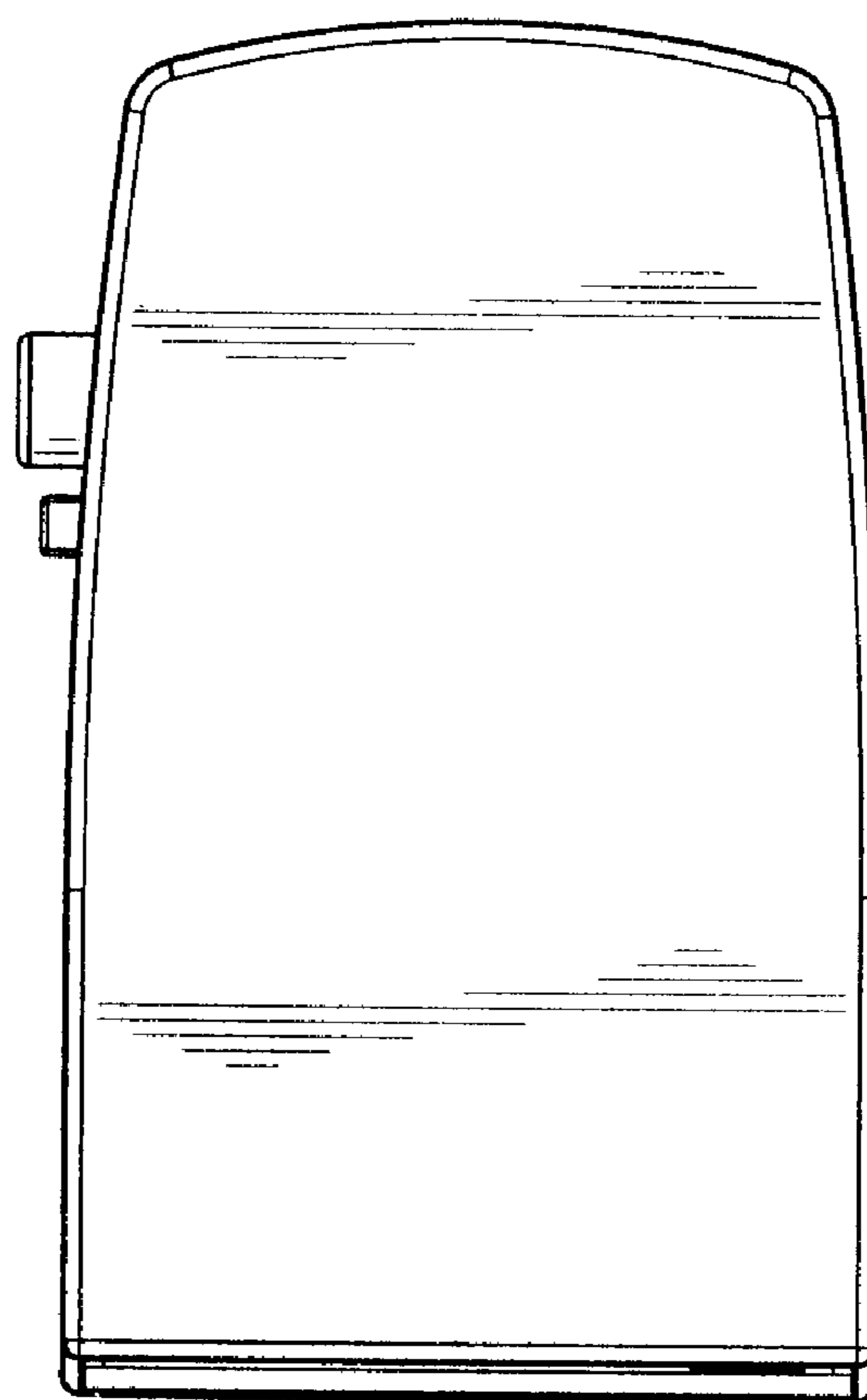


FIG. 7