



US00D528136S

(12) **United States Design Patent**
Brockington et al.

(10) **Patent No.:** **US D528,136 S**

(45) **Date of Patent:** **** Sep. 12, 2006**

(54) **PRODUCT BRACE FOR REFRIGERATED FOOD**

(75) Inventors: **William T. Brockington**, Kernersville, NC (US); **Robert C. Mancari**, High Point, NC (US); **Louis D. Carrillo**, Thompson Station, TN (US)

(73) Assignee: **Camco Manufacturing, Inc.**, Greensboro, NC (US)

(**) Term: **14 Years**

(21) Appl. No.: **29/252,869**

(22) Filed: **Jan. 27, 2006**

(51) **LOC (8) Cl.** **15-07**

(52) **U.S. Cl.** **D15/89**

(58) **Field of Classification Search** D15/79,
D15/80, 82, 89-91; 211/43, 44, 153, 181.1,
211/184; 248/146, 222.52, 346; 62/3.6, 246-256,
62/337; 312/71, 116, 247, 291, 313
See application file for complete search history.

(56) **References Cited**

U.S. PATENT DOCUMENTS

2,280,371 A	4/1942	LeRoy
3,752,324 A	8/1973	Moser
3,757,958 A	9/1973	Kirkemo
3,851,765 A	12/1974	Cox
3,877,580 A	4/1975	Hammar
3,938,872 A	2/1976	Hagerman
4,023,682 A	5/1977	Niece

4,118,087 A	10/1978	Dorf
4,341,314 A	7/1982	Feuerstein
4,515,334 A	* 5/1985	Horne 248/146
5,450,969 A	* 9/1995	Johnson et al. 312/71
5,517,826 A	* 5/1996	Duffy 62/256

OTHER PUBLICATIONS

Ref. No. 1, Shelf Guard, Package Literature, Dometic Corp., LaGrange, IN 46761—No Date Supplied.

* cited by examiner

Primary Examiner—Mitchell Siegel
Assistant Examiner—Shanda C. Hill

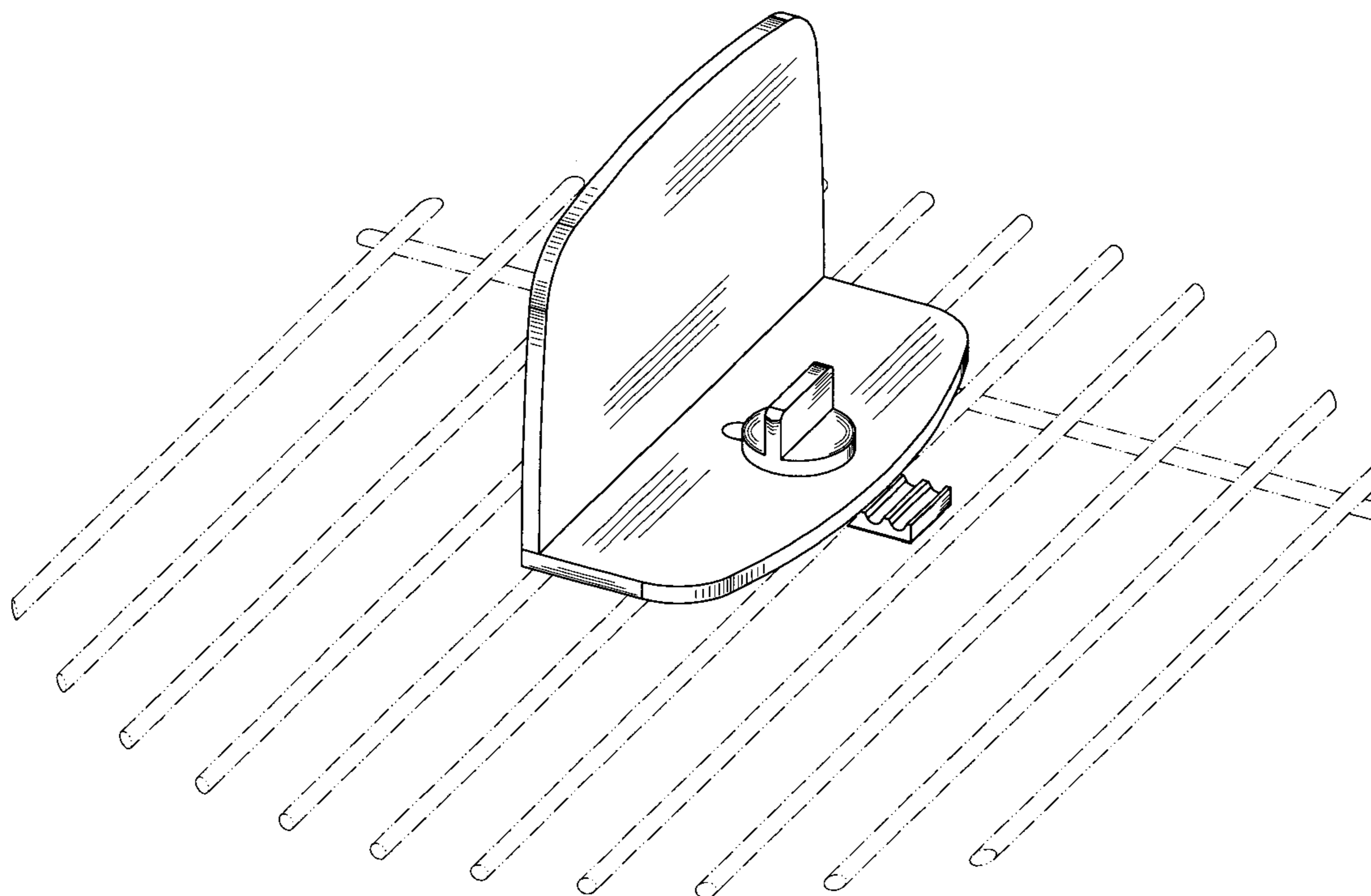
(57) **CLAIM**

The ornamental design for an product brace for refrigerated food, as shown and described.

DESCRIPTION

FIG. 1 is a front elevational view of our design;
FIG. 2 is a bottom plan view of our design;
FIG. 3 is a top plan view of our design;
FIG. 4 is a left side elevational view of our design;
FIG. 5 is a rear elevational view of our design;
FIG. 6 is a right elevational view of our design;
FIG. 7 is a top, left front perspective view of our design; and,
FIG. 8 is a bottom, left front perspective view of our design.
The broken line representations of a refrigerator wire shelf in FIGS. 7 and 8 are for purposes of illustration only, and form no part of the claimed design.

1 Claim, 5 Drawing Sheets



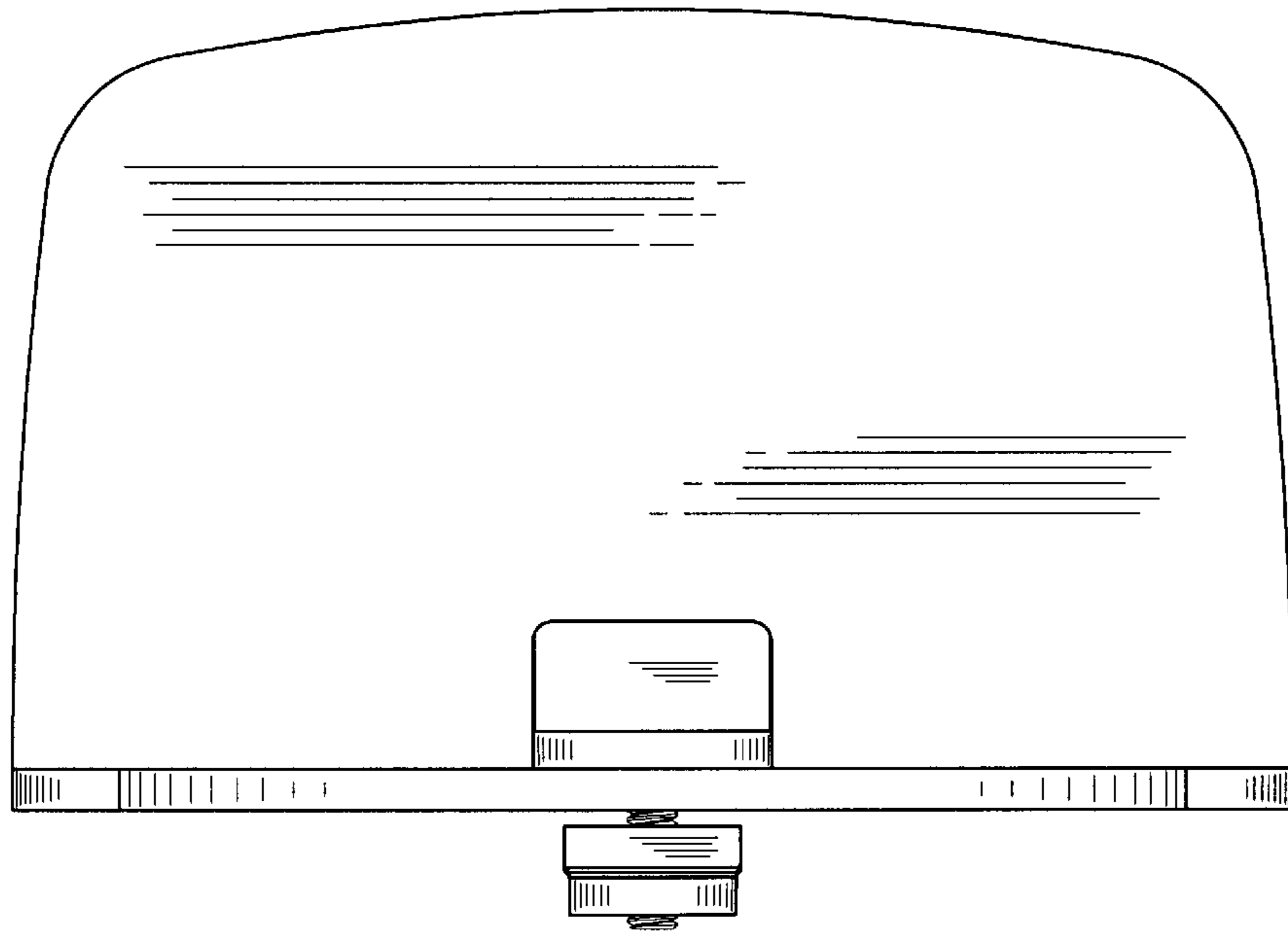


FIG. 1

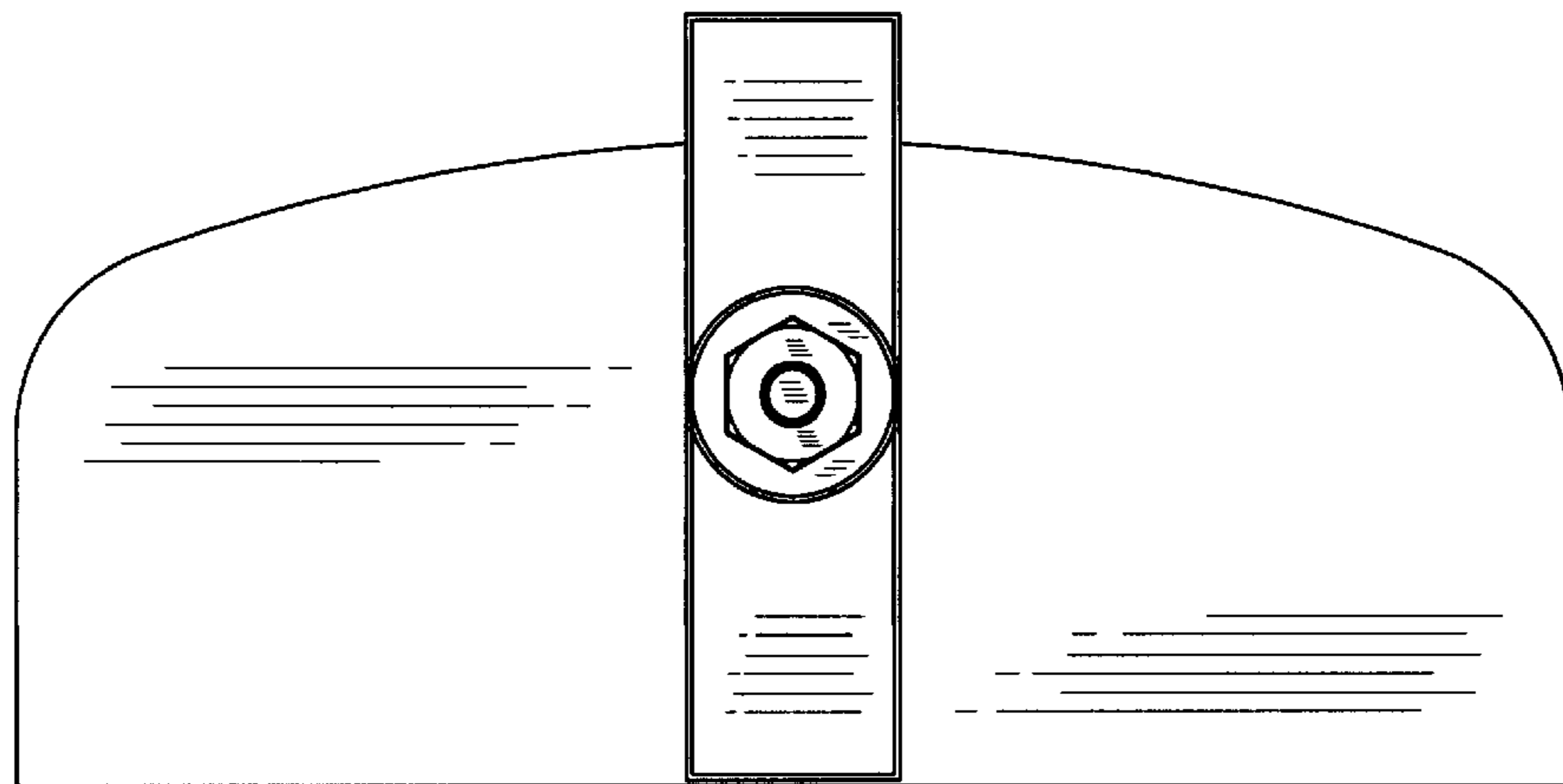


FIG. 2

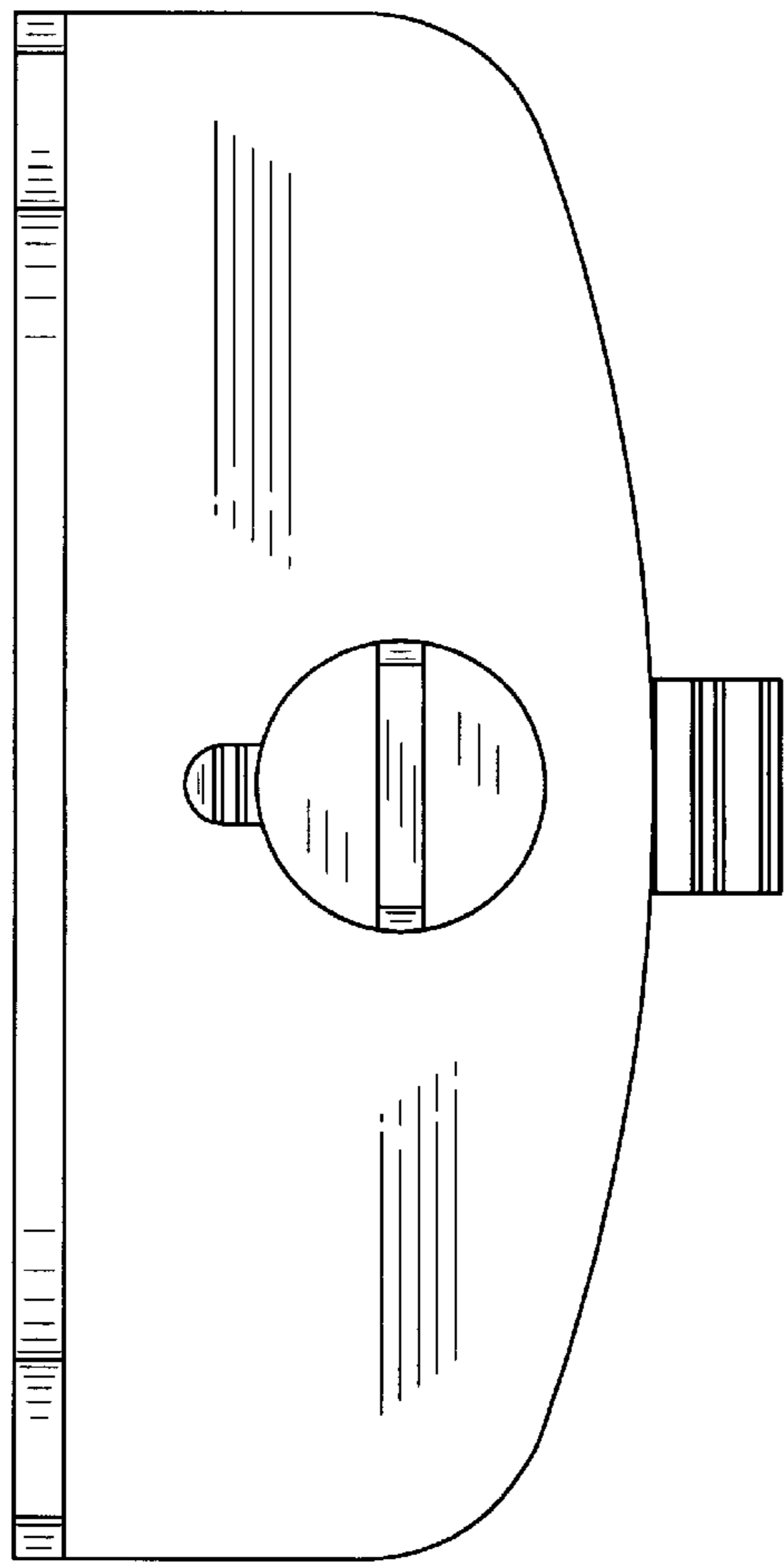


FIG. 3

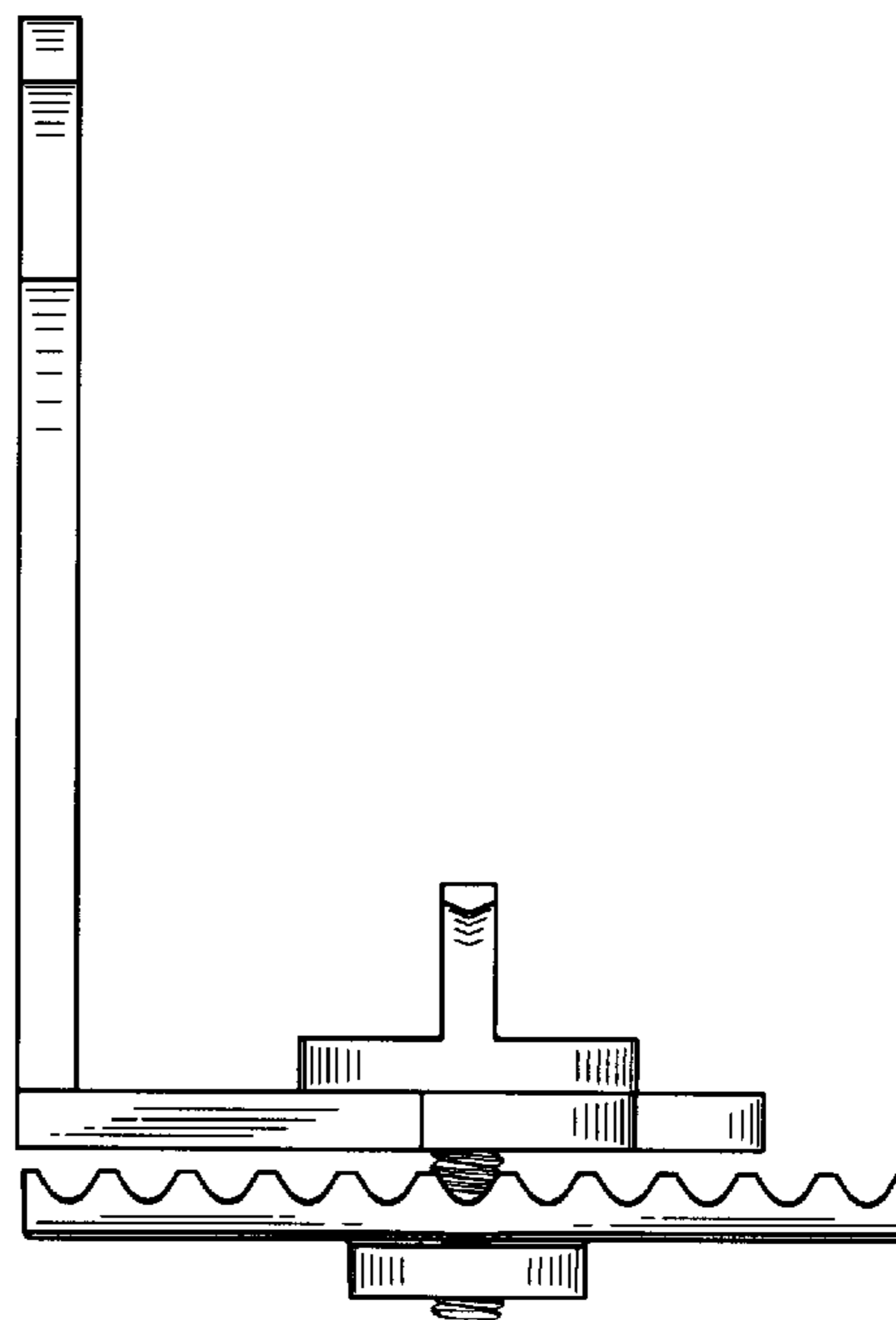


FIG. 4

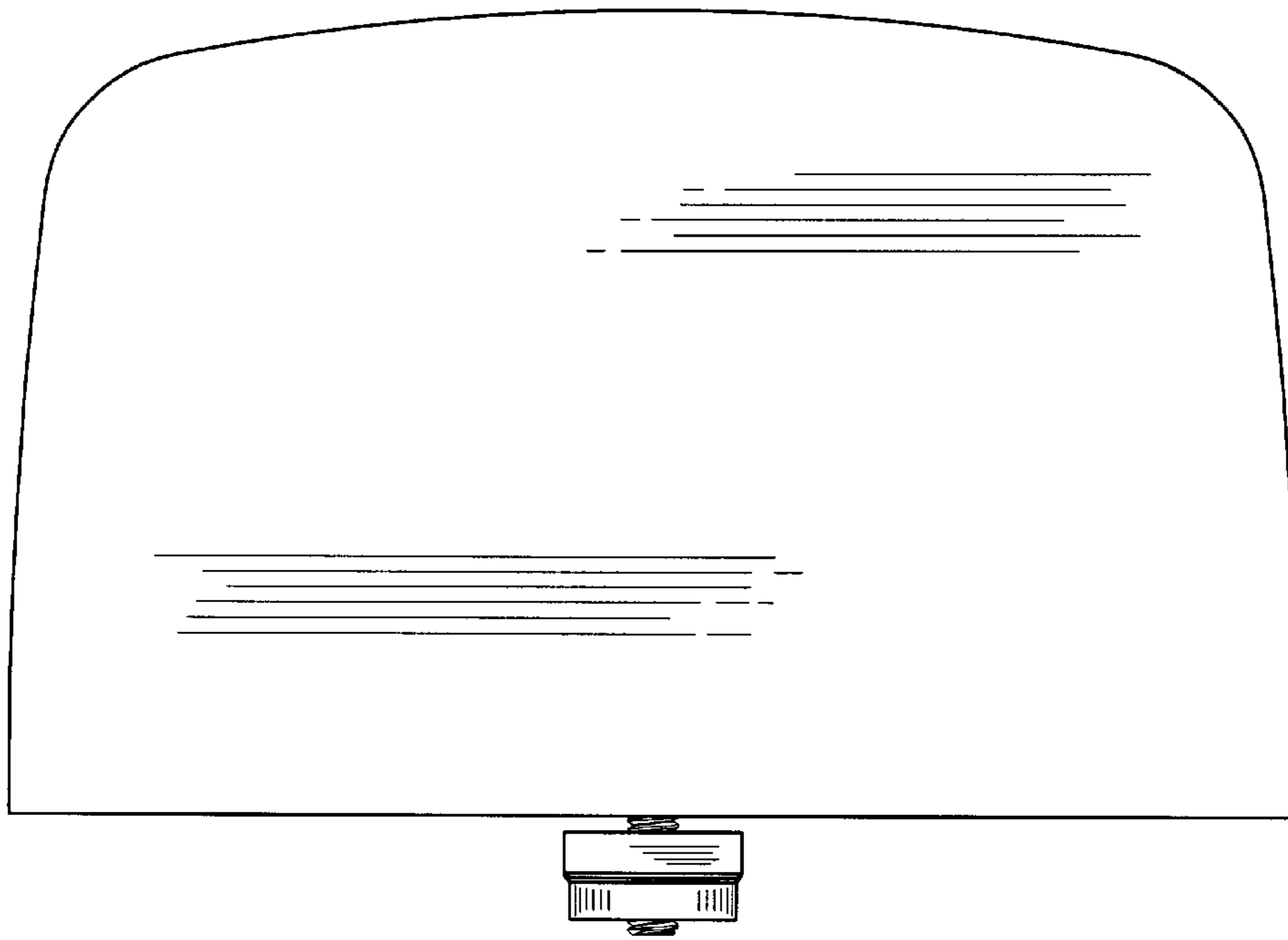


FIG. 5

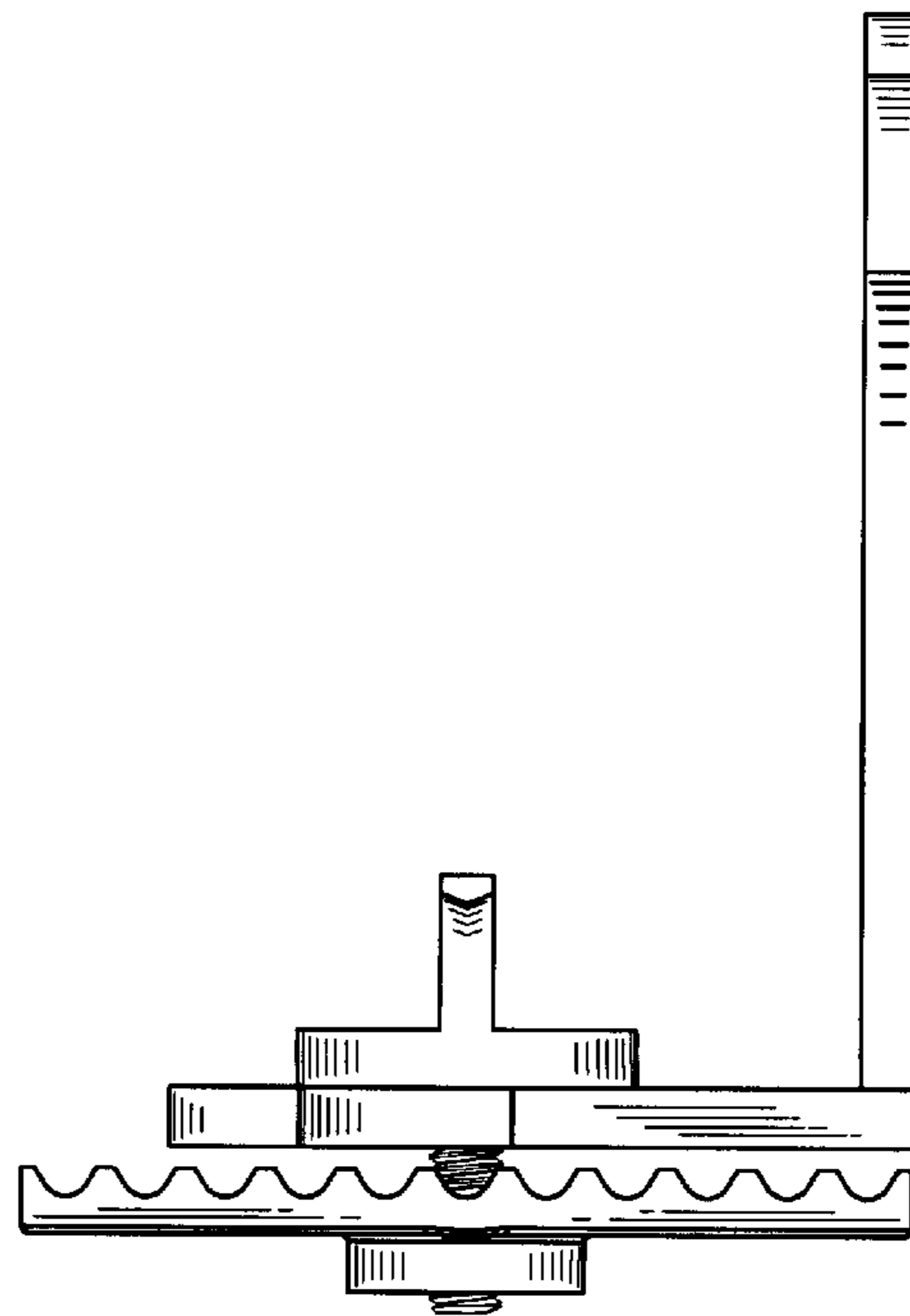


FIG. 6

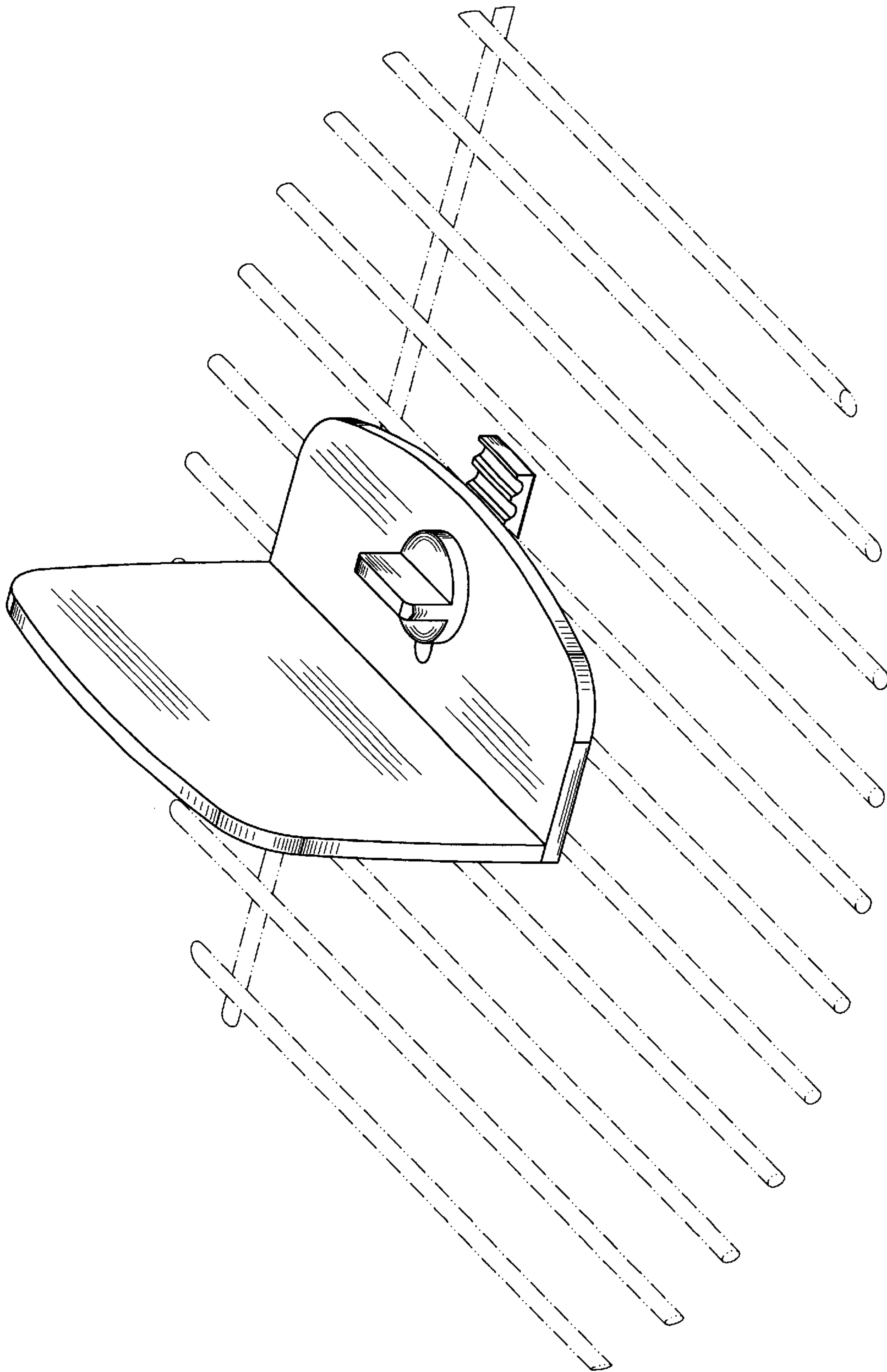


FIG. 7

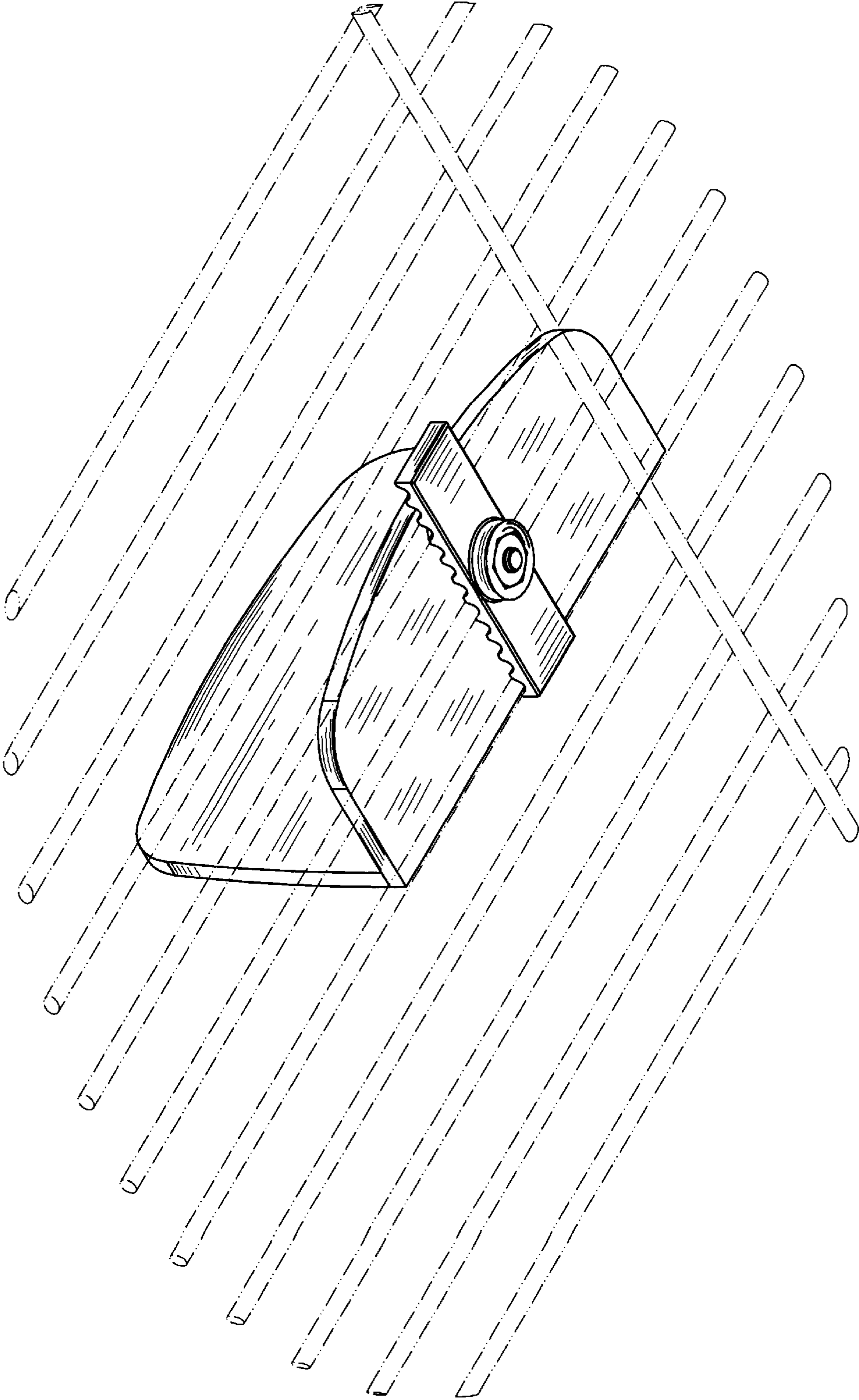


FIG. 8