



US00D528134S

(12) **United States Design Patent** (10) **Patent No.:** **US D528,134 S**
Vandendriessche et al. (45) **Date of Patent:** **** Sep. 12, 2006**

(54) **CAB FOR AN AGRICULTURAL VEHICLE**

(75) Inventors: **Jean-Pierre Vandendriessche**,
Erpe-Mere (BE); **Pieter M. I. Steen**,
Ieper (BE); **Liesbeth M. M.**
Longueville, Erpe-Mere (BE)

(73) Assignee: **CNH America LLC**, Racine, WI (US)

(**) Term: **14 Years**

(21) Appl. No.: **29/227,119**

(22) Filed: **Apr. 6, 2005**

(30) **Foreign Application Priority Data**

Oct. 11, 2004 (GB) 00.02.384.31

(51) **LOC (8) Cl.** **15-03**

(52) **U.S. Cl.** **D15/30**

(58) **Field of Classification Search** D15/10,
D15/15, 28, 22-26, 30, 33; D12/96; D34/37;
180/89.1, 89.12, 89.13; 296/190.01

See application file for complete search history.

(56) **References Cited**

U.S. PATENT DOCUMENTS

- 3,802,530 A * 4/1974 Purcell et al. 180/89.12
- D245,697 S * 9/1977 Skyer et al. D15/30
- D249,523 S * 9/1978 Segales D15/30
- D258,823 S * 4/1981 Skyer et al. D15/30
- D259,045 S * 4/1981 Mende D15/30
- D273,494 S * 4/1984 Hurlburt et al. D15/30
- D274,276 S * 6/1984 Martin, Jr. D34/37
- D275,199 S * 8/1984 Schmidt et al. D15/30

- D312,827 S * 12/1990 Boddin et al. D15/30
- D317,011 S * 5/1991 Boddin et al. D15/30
- D321,517 S * 11/1991 Katoh et al. D15/30
- 5,273,340 A * 12/1993 Nelson et al. 296/190.08
- D366,267 S * 1/1996 Lepoix D15/30
- D384,358 S * 9/1997 Smith D15/30
- D391,273 S * 2/1998 Linder D15/30
- D398,616 S * 9/1998 Kwak et al. D15/30
- D427,612 S * 7/2000 Shim D15/23
- D445,233 S * 7/2001 Deroure D34/37
- D463,461 S * 9/2002 Yanagida et al. D15/30
- D463,462 S * 9/2002 Yanagida et al. D15/30
- D471,213 S * 3/2003 Kwak et al. D15/30

* cited by examiner

Primary Examiner—Stella Reid

Assistant Examiner—Mark Goodwin

(74) *Attorney, Agent, or Firm*—Rebecca Henkel

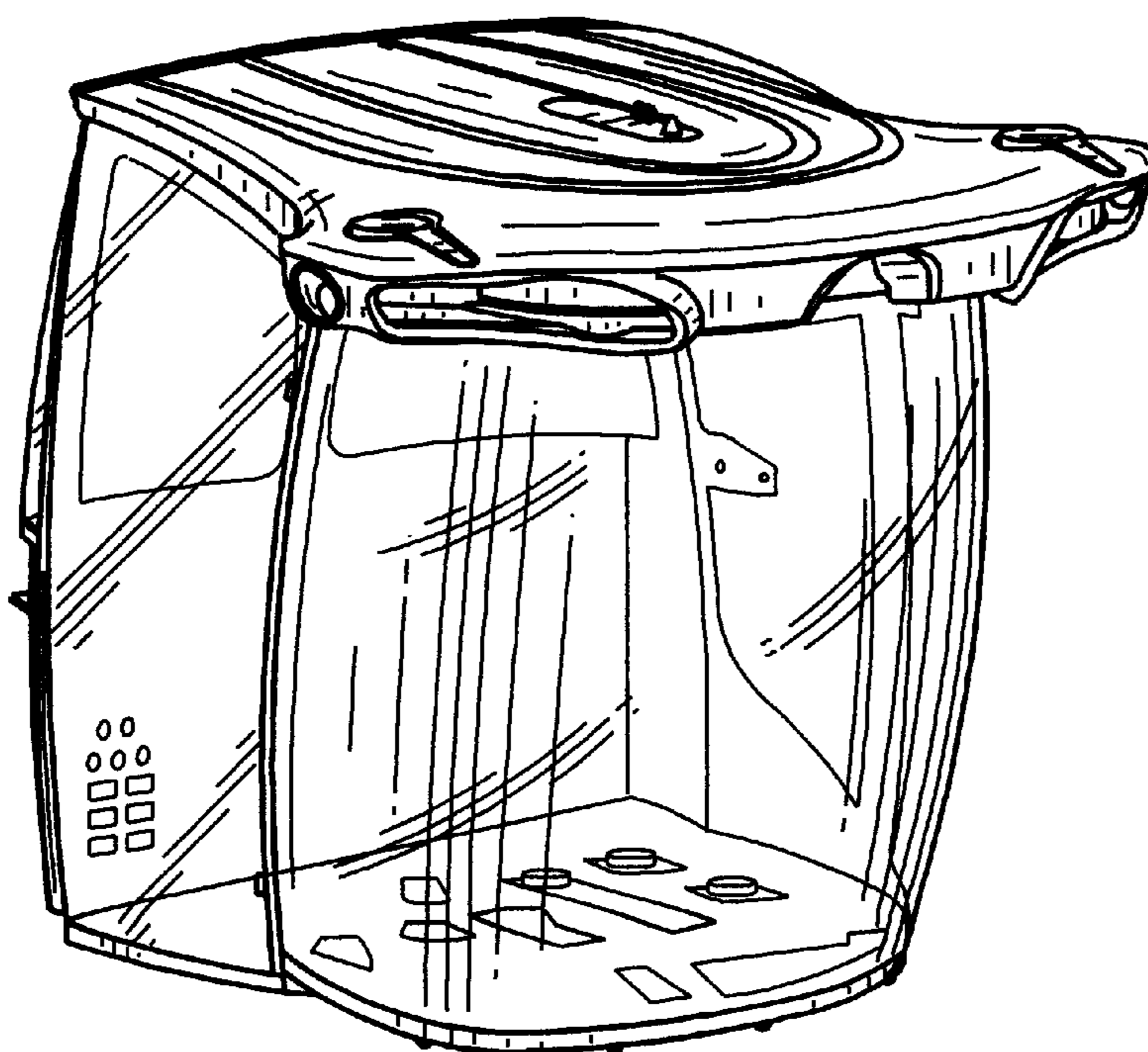
(57) **CLAIM**

The ornamental design for a cab for an agricultural vehicle, as shown and described.

DESCRIPTION

FIG. 1 is a front elevational view of a cab for an agricultural vehicle incorporating our new design;
 FIG. 2 is a right side elevational view thereof;
 FIG. 3 is a rear elevational view thereof;
 FIG. 4 is a top plan view thereof;
 FIG. 5 is a top perspective view thereof;
 FIG. 6 is a front, top left side perspective view thereof; and,
 FIG. 7 is a rear, top, left perspective view thereof.

1 Claim, 4 Drawing Sheets



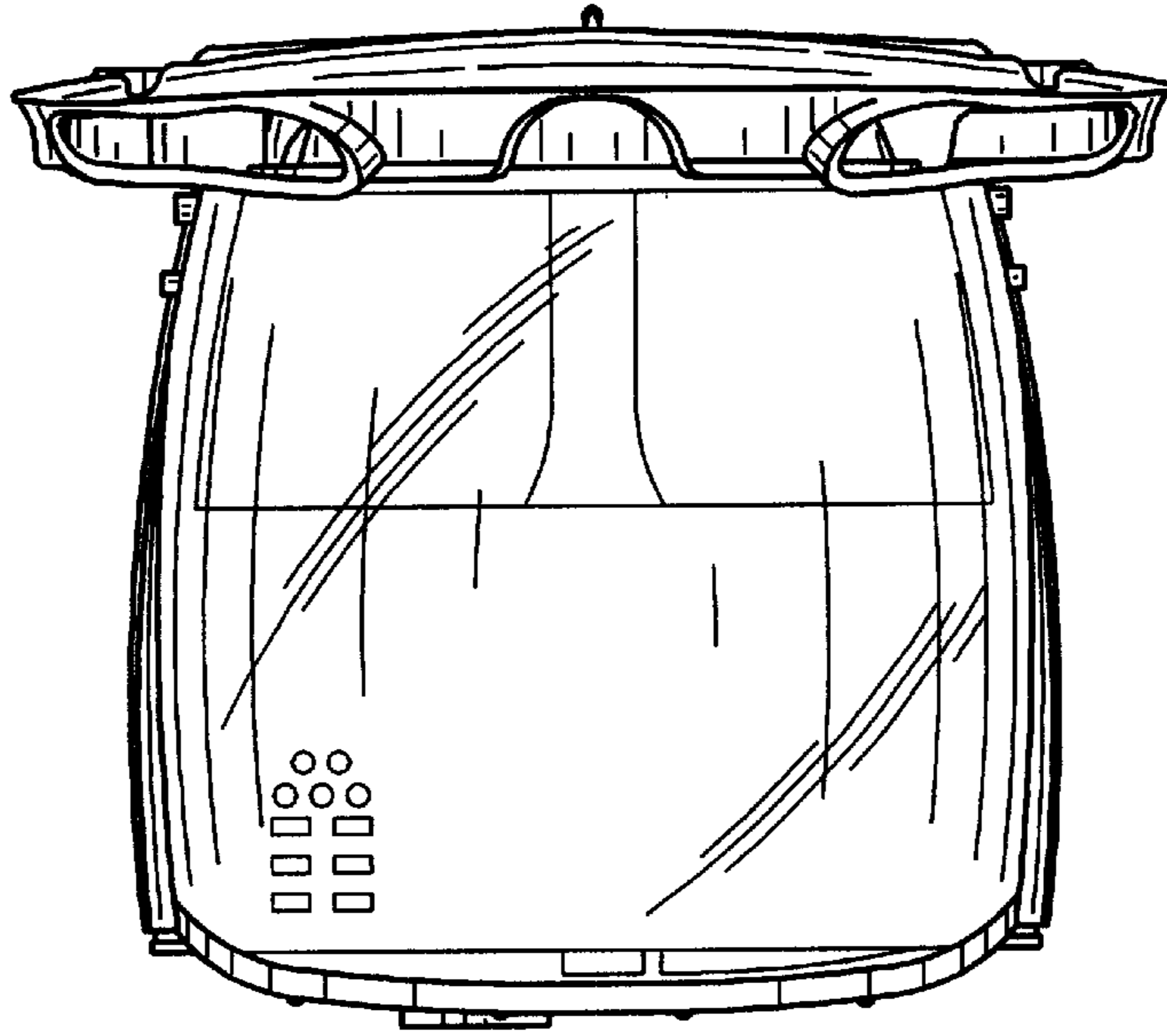


FIG. 1

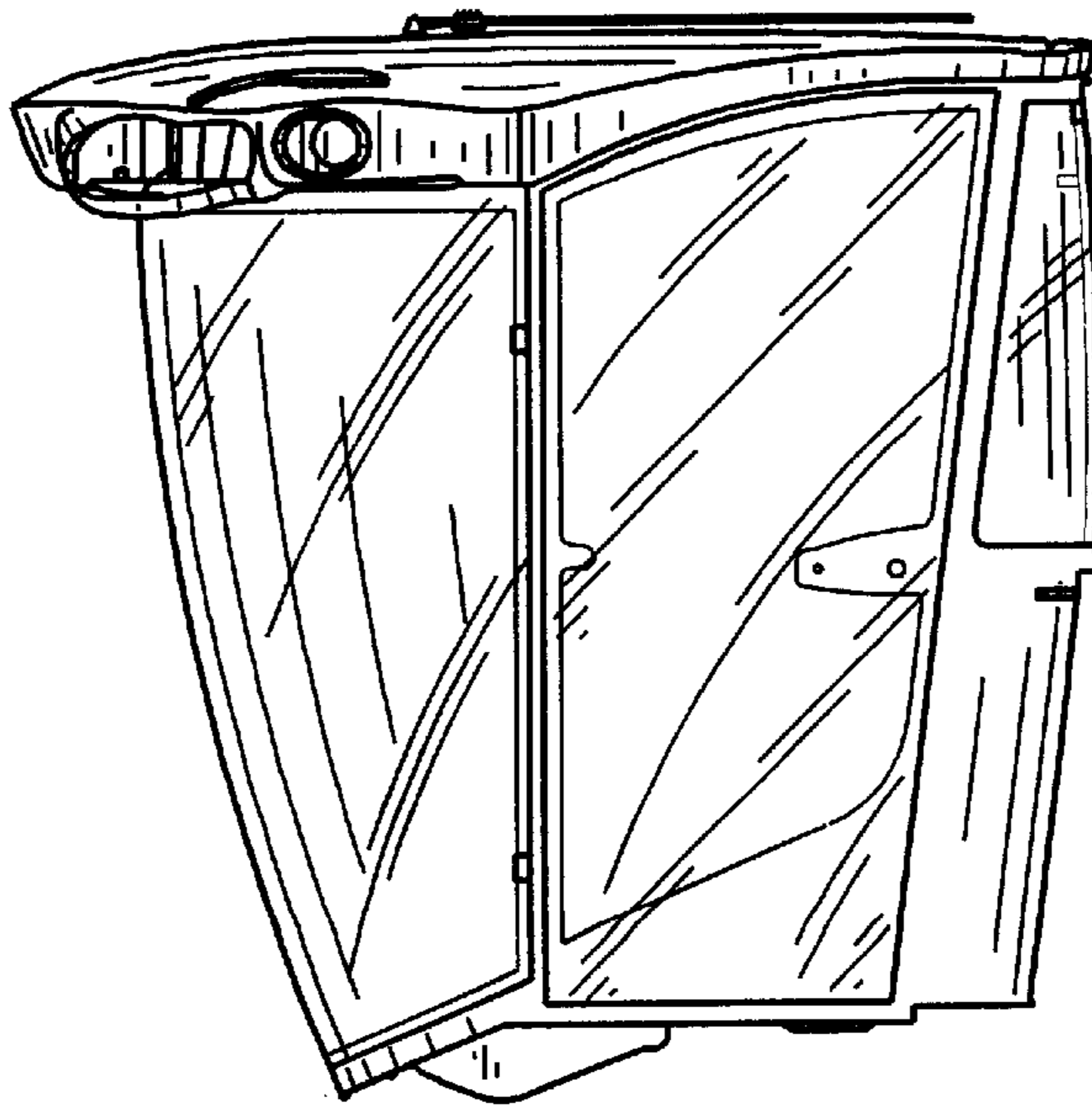


FIG. 2

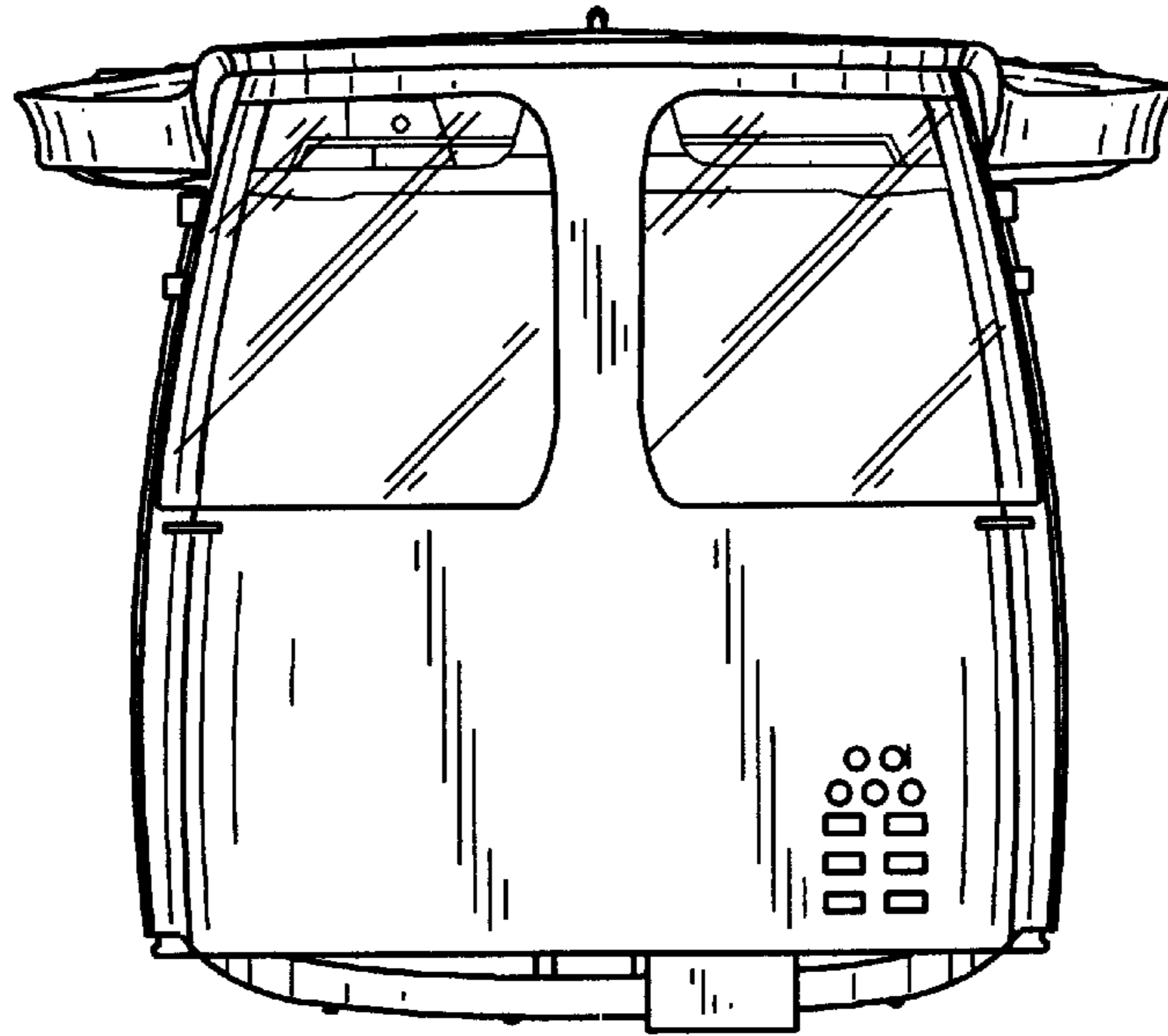


FIG. 3

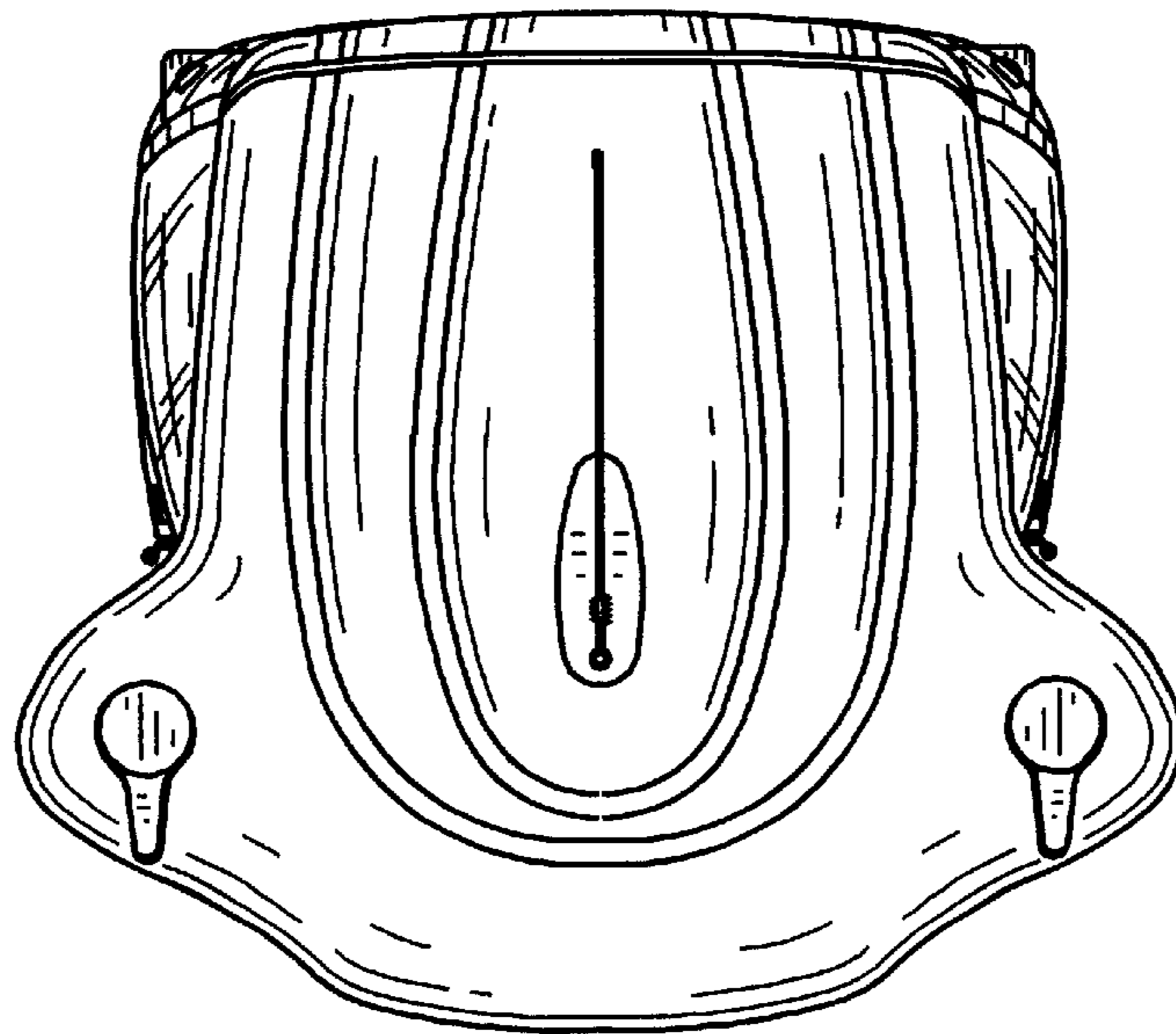


FIG. 4

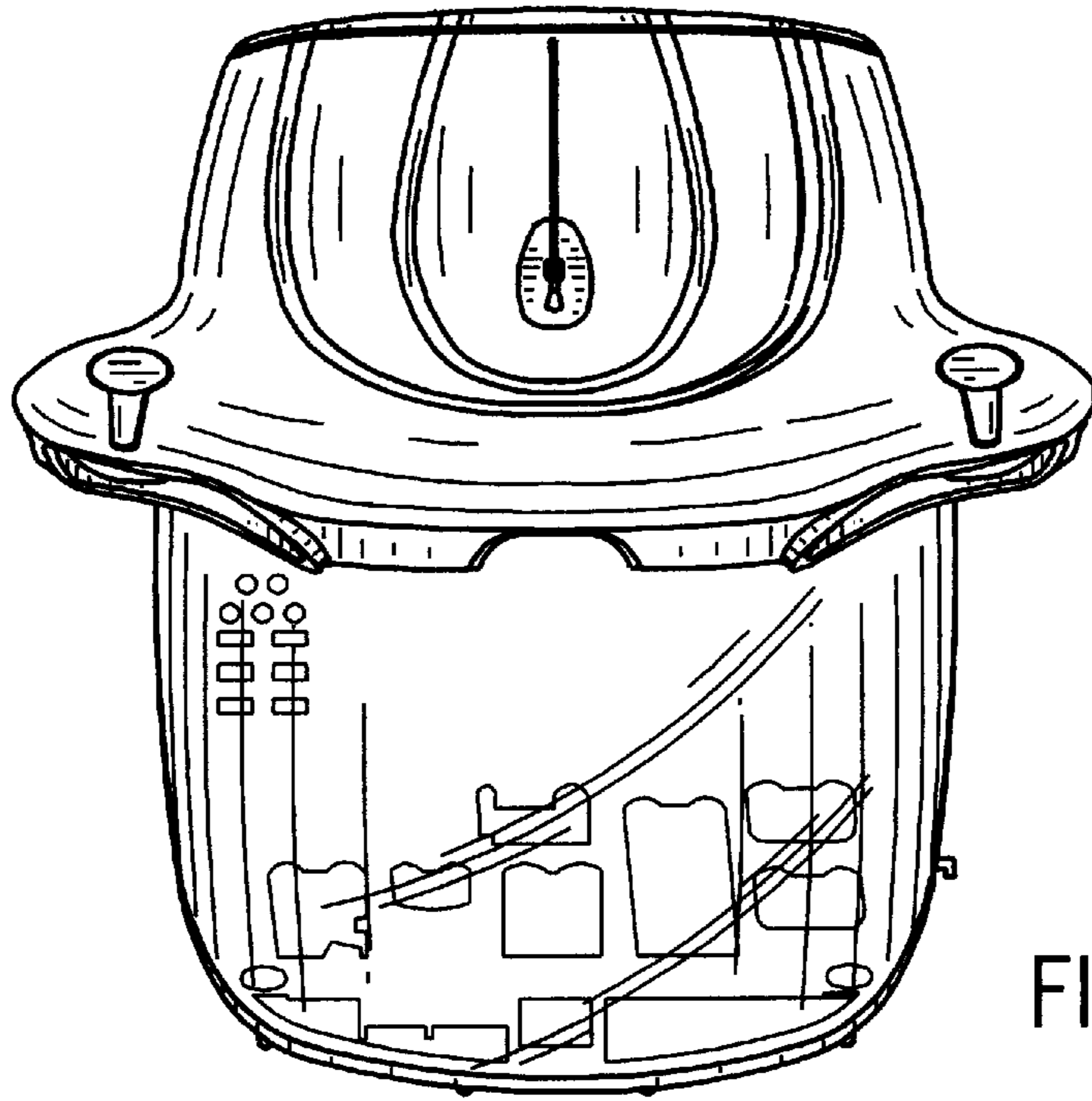


FIG. 5

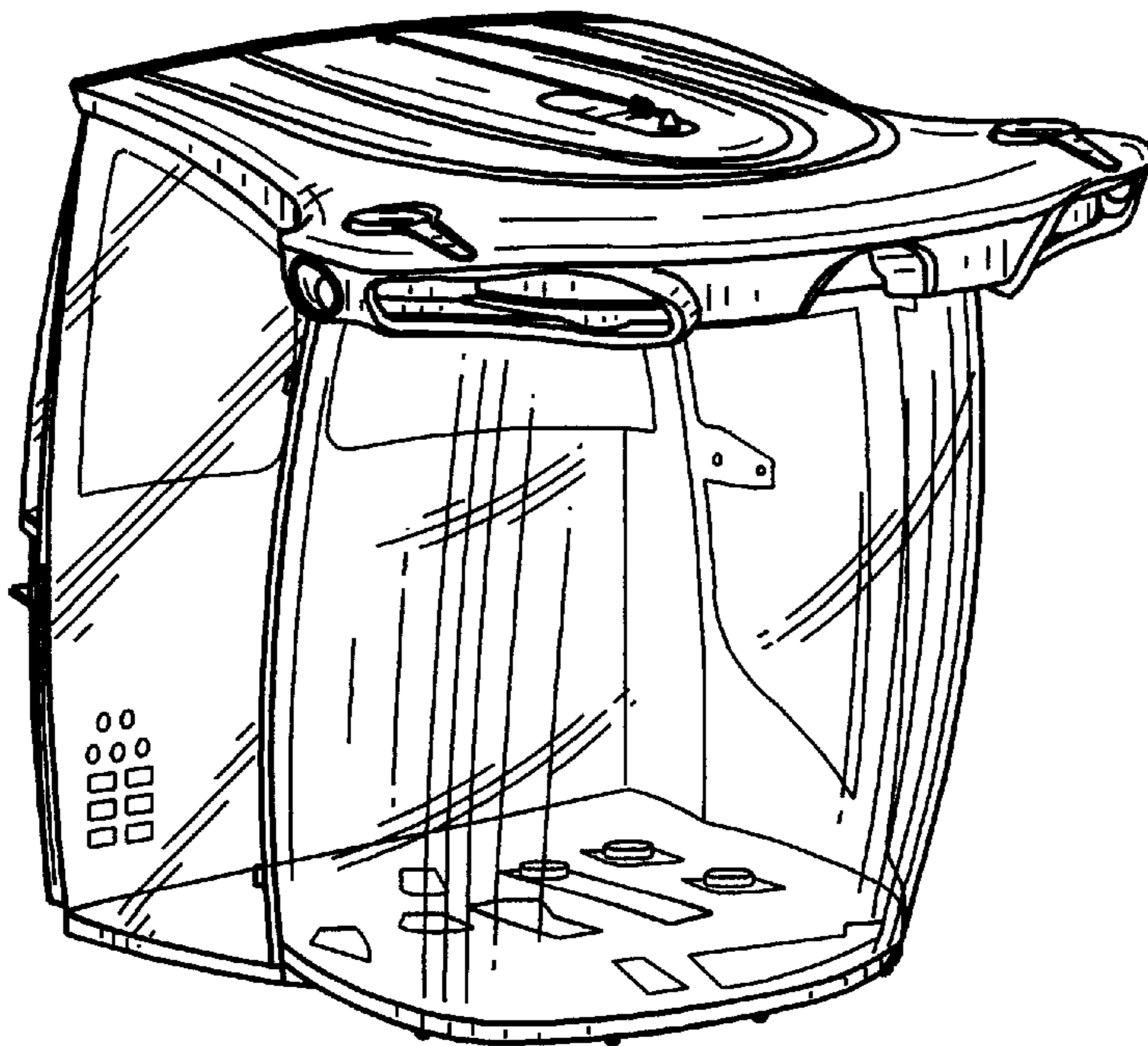


FIG. 6

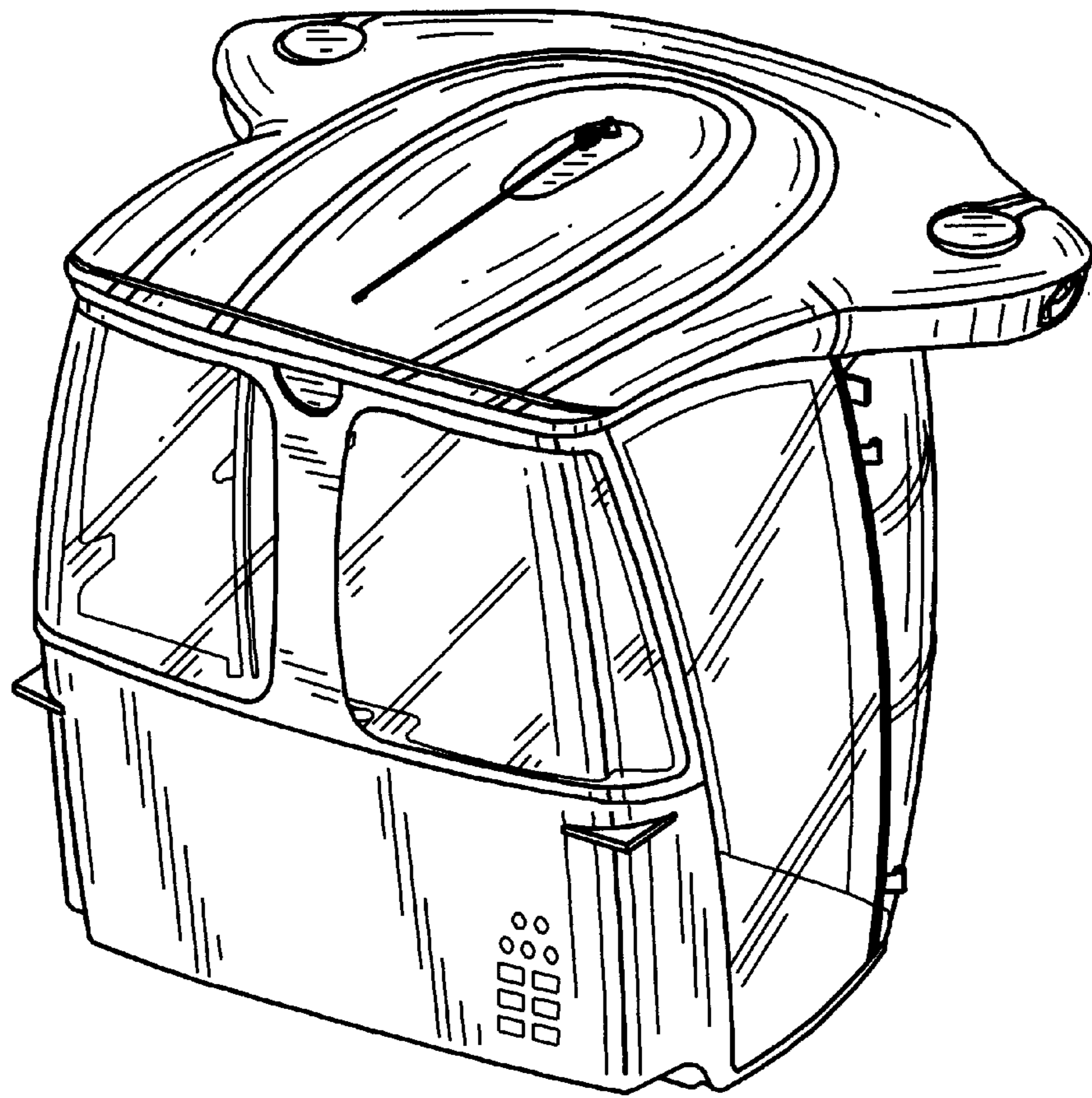


FIG. 7