



US00D528132S

(12) **United States Design Patent**  
**Hsiao**

(10) **Patent No.:** **US D528,132 S**

(45) **Date of Patent:** **\*\* Sep. 12, 2006**

(54) **AIR COMPRESSOR**

D502,709 S \* 3/2005 Hsiao ..... D15/9

(76) Inventor: **E-Ming Hsiao**, No. 427, Sec. 2,  
Doou-Chung Rd., Chang-Hwa,  
Tien-Chung (TW)

\* cited by examiner

*Primary Examiner*—Ralf Seifert  
(74) *Attorney, Agent, or Firm*—Dellett & Walters  
patenttm.us

(\*\*) Term: **14 Years**

(57) **CLAIM**

(21) Appl. No.: **29/234,243**

The ornamental design for an air compressor, as shown and described.

(22) Filed: **Jul. 14, 2005**

(51) **LOC (8) Cl.** ..... **15-02**

(52) **U.S. Cl.** ..... **D15/9**

(58) **Field of Classification Search** ..... D15/7-9;  
D23/232, 231; 417/359, 415-416, 410.1,  
417/321, 265, 405

See application file for complete search history.

**DESCRIPTION**

FIG. 1 is a perspective view of an air compressor, showing my new design;

FIG. 2 is a front view thereof;

FIG. 3 is a rear view thereof;

FIG. 4 is a left side view thereof;

FIG. 5 is a right side view thereof;

FIG. 6 is a top view thereof;

FIG. 7 is a bottom view thereof; and,

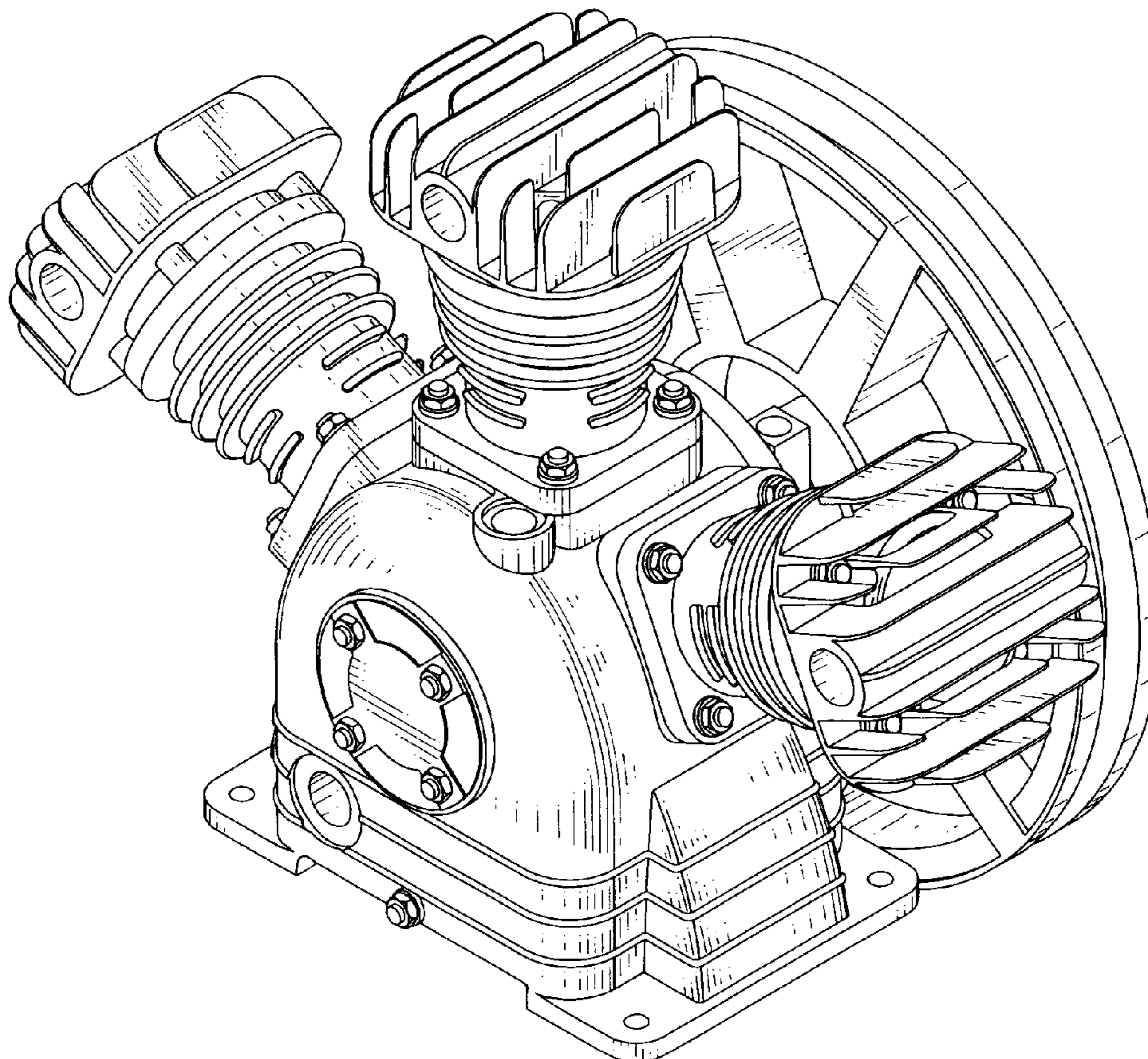
FIG. 8 is a perspective view showing an embodiment of the claimed design, wherein the broken lines are shown for illustrative purposes only and form no part of the claimed design.

(56) **References Cited**

**U.S. PATENT DOCUMENTS**

D395,899 S	*	7/1998	Plummer et al.	.....	D15/7
D419,162 S	*	1/2000	Wise et al.	.....	D15/9
D435,050 S	*	12/2000	Wise et al.	.....	D15/9
D484,891 S	*	1/2004	Hsiao	.....	D15/9
D490,823 S	*	6/2004	Hsiao	.....	D15/9
D492,700 S	*	7/2004	Hsiao	.....	D15/7
D498,482 S	*	11/2004	Hsiao	.....	D15/9

**1 Claim, 8 Drawing Sheets**



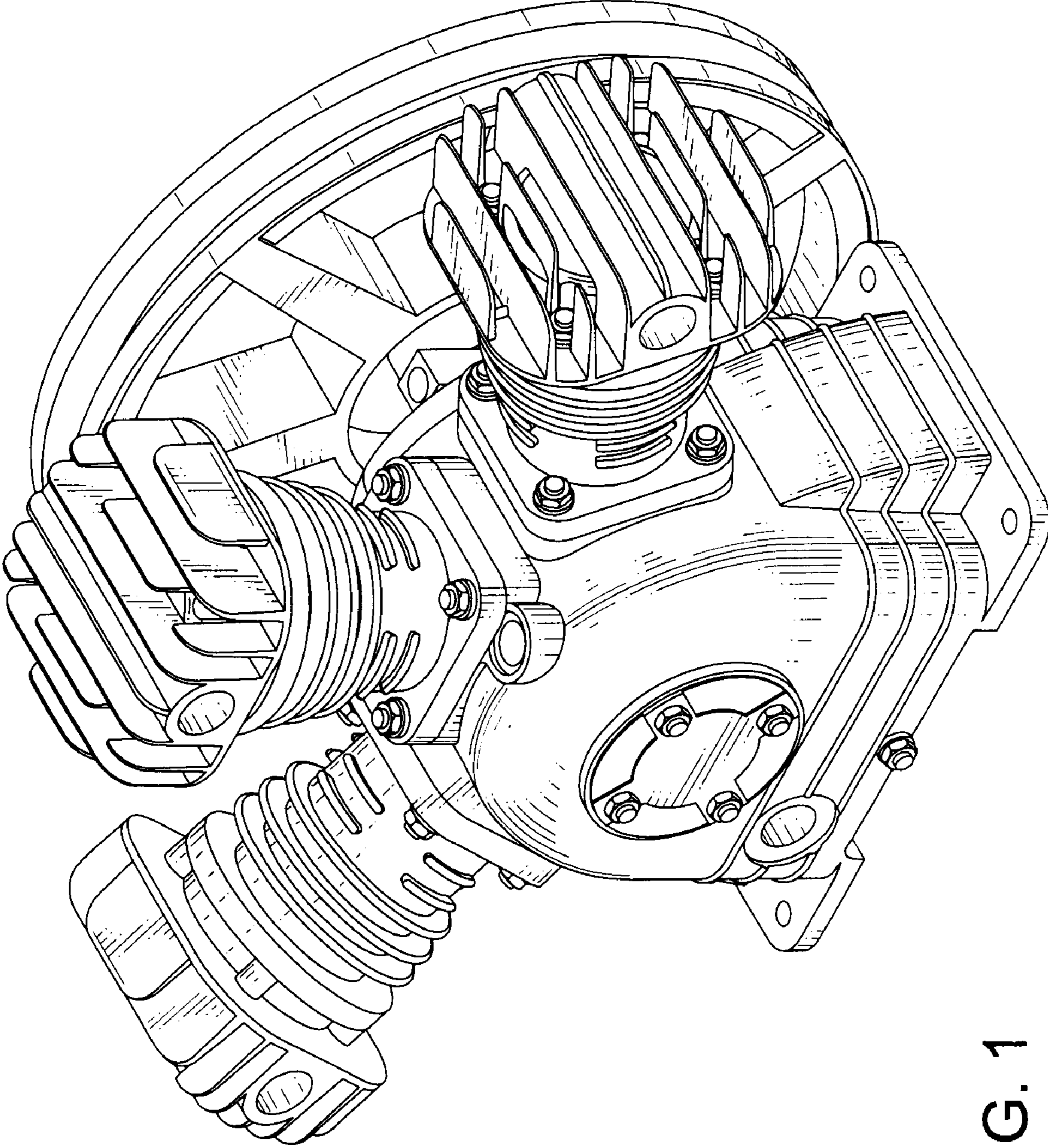


FIG. 1

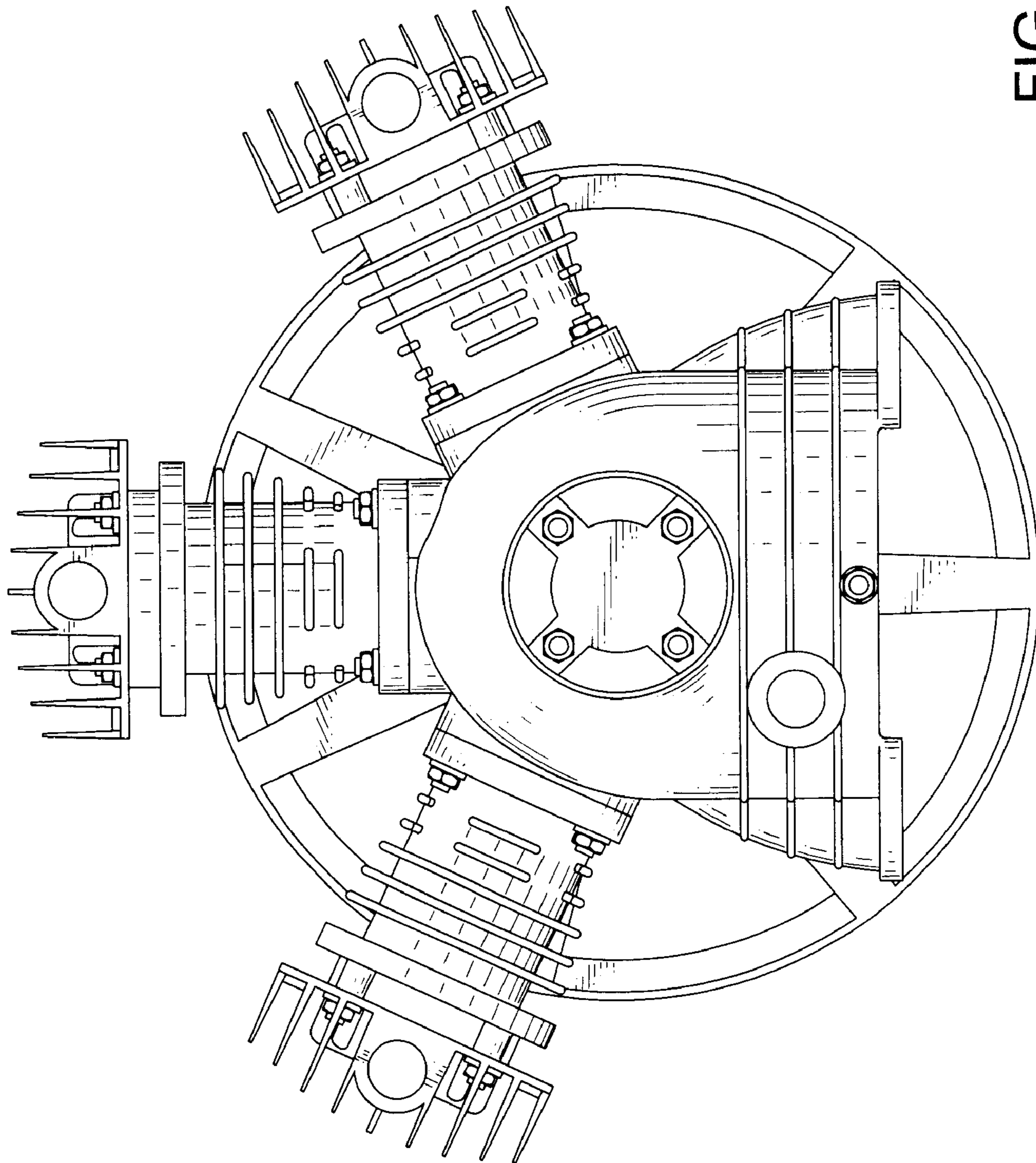


FIG. 2

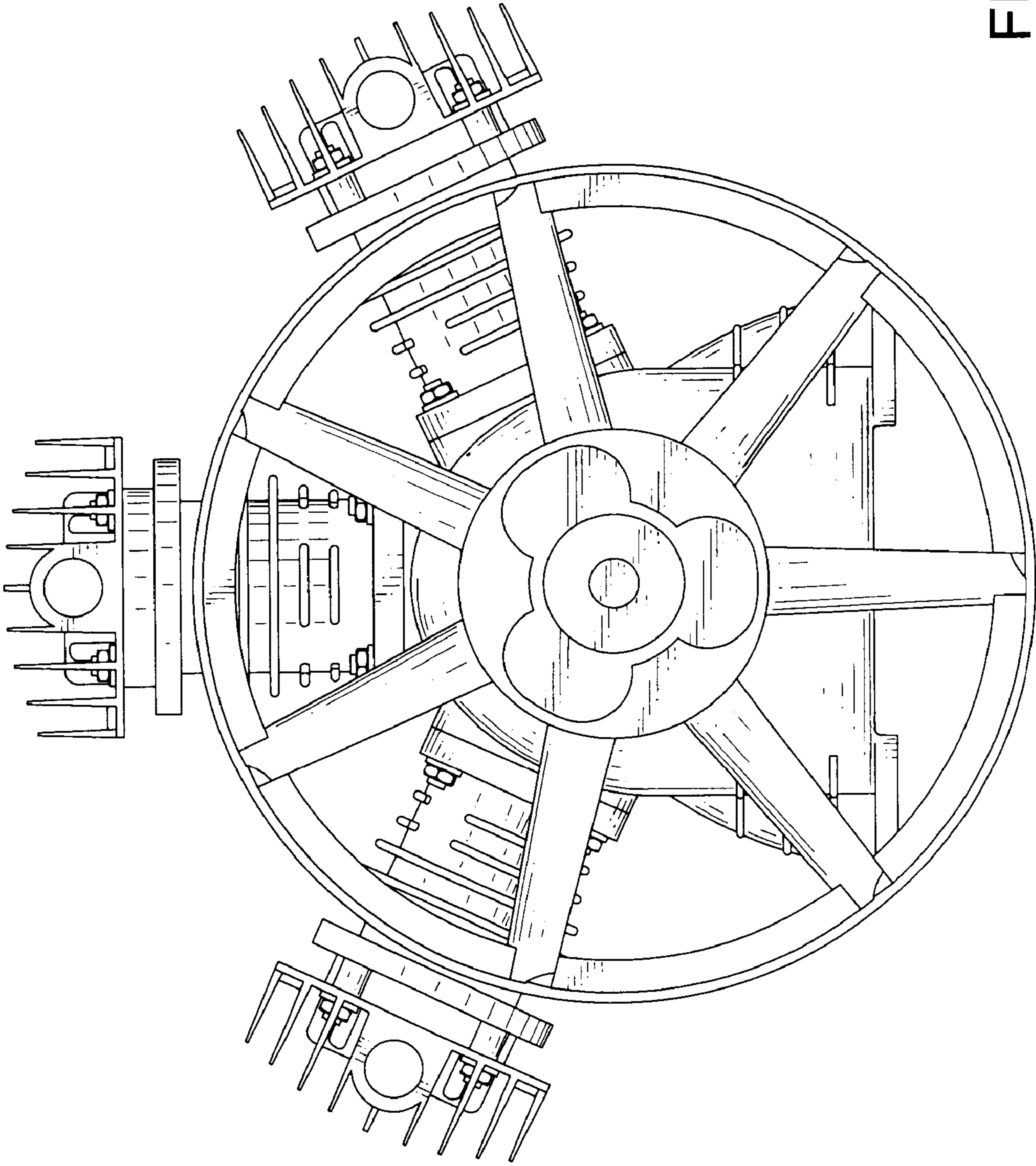


FIG. 3

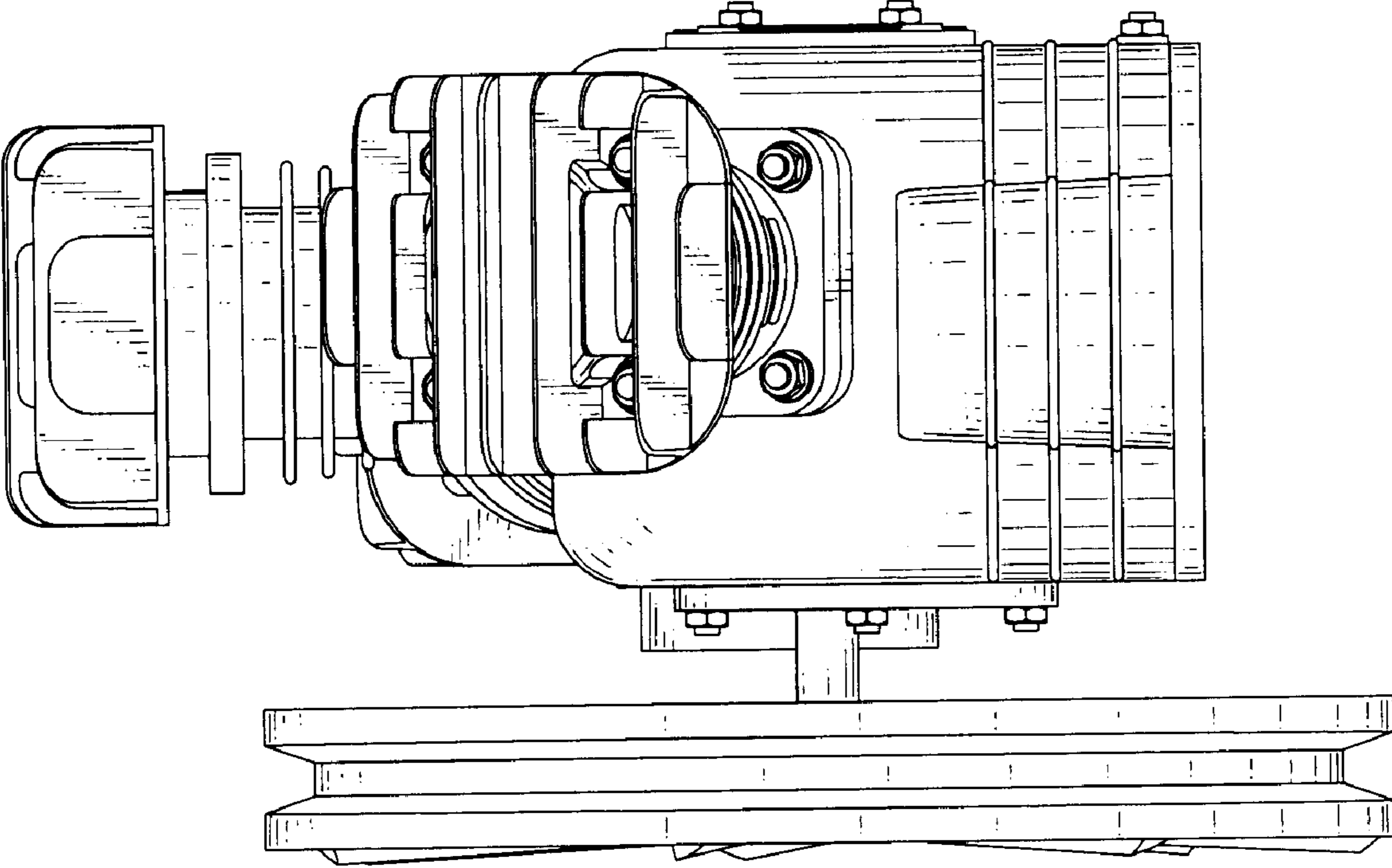


FIG. 4

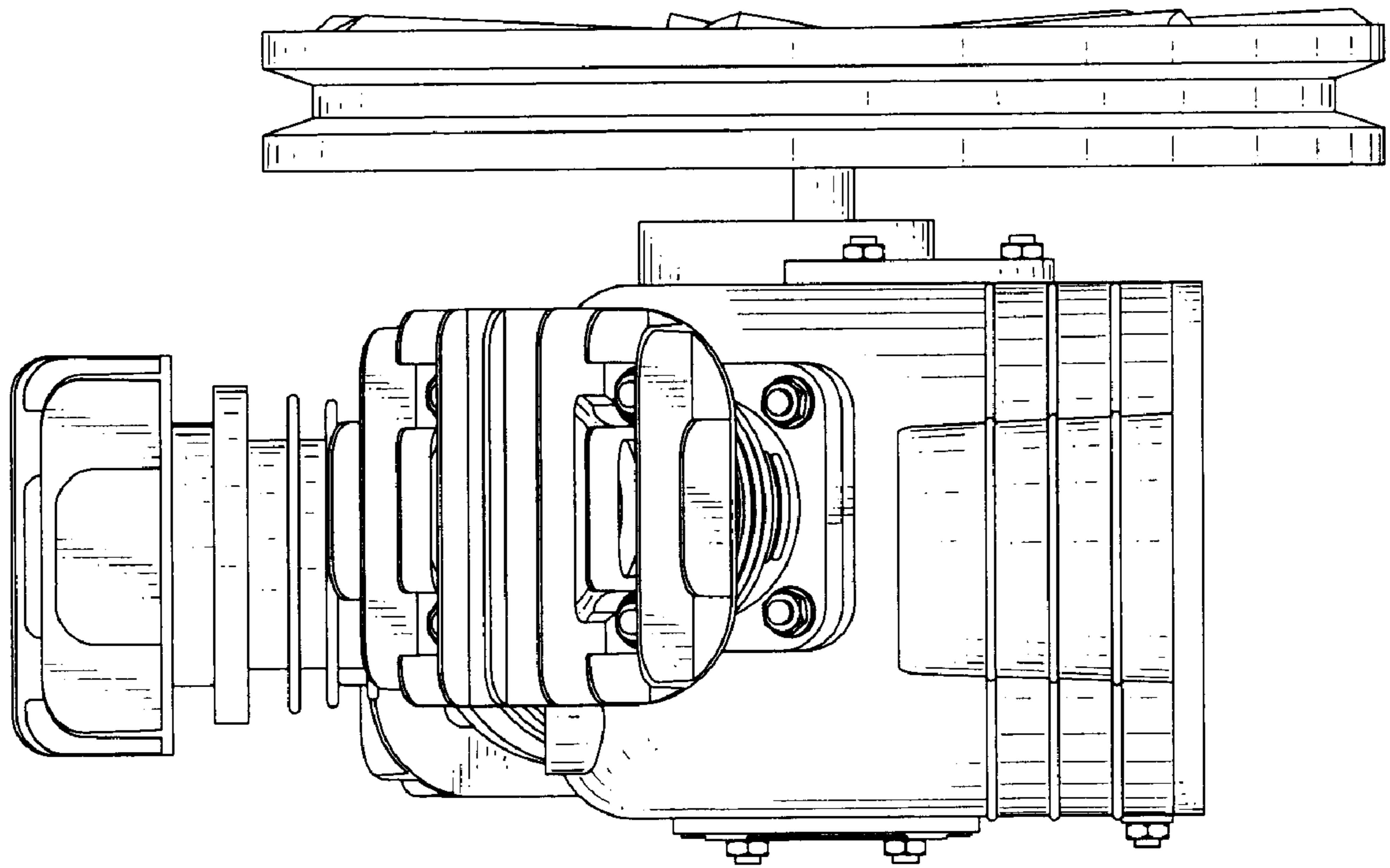


FIG. 5

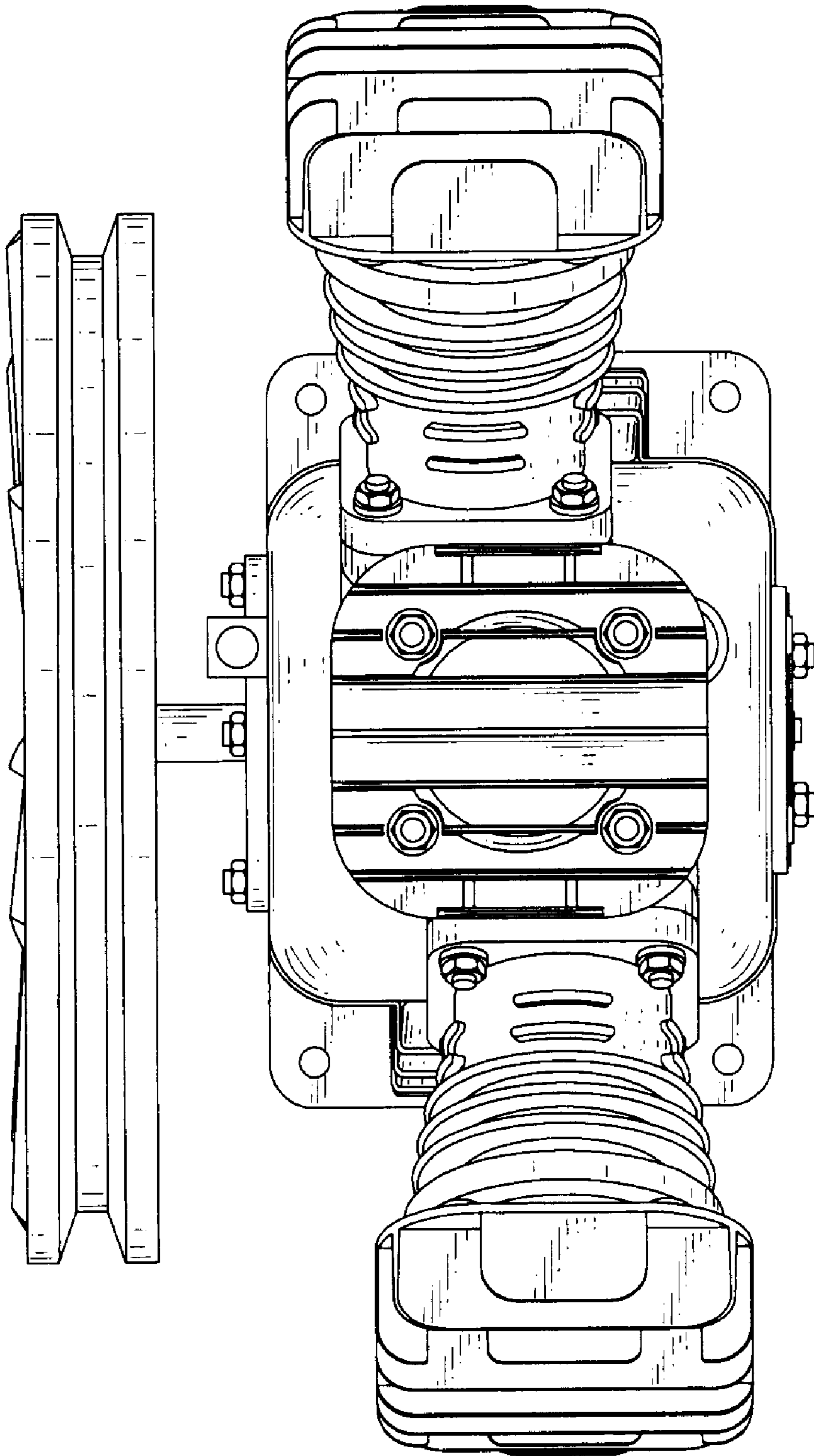


FIG. 6

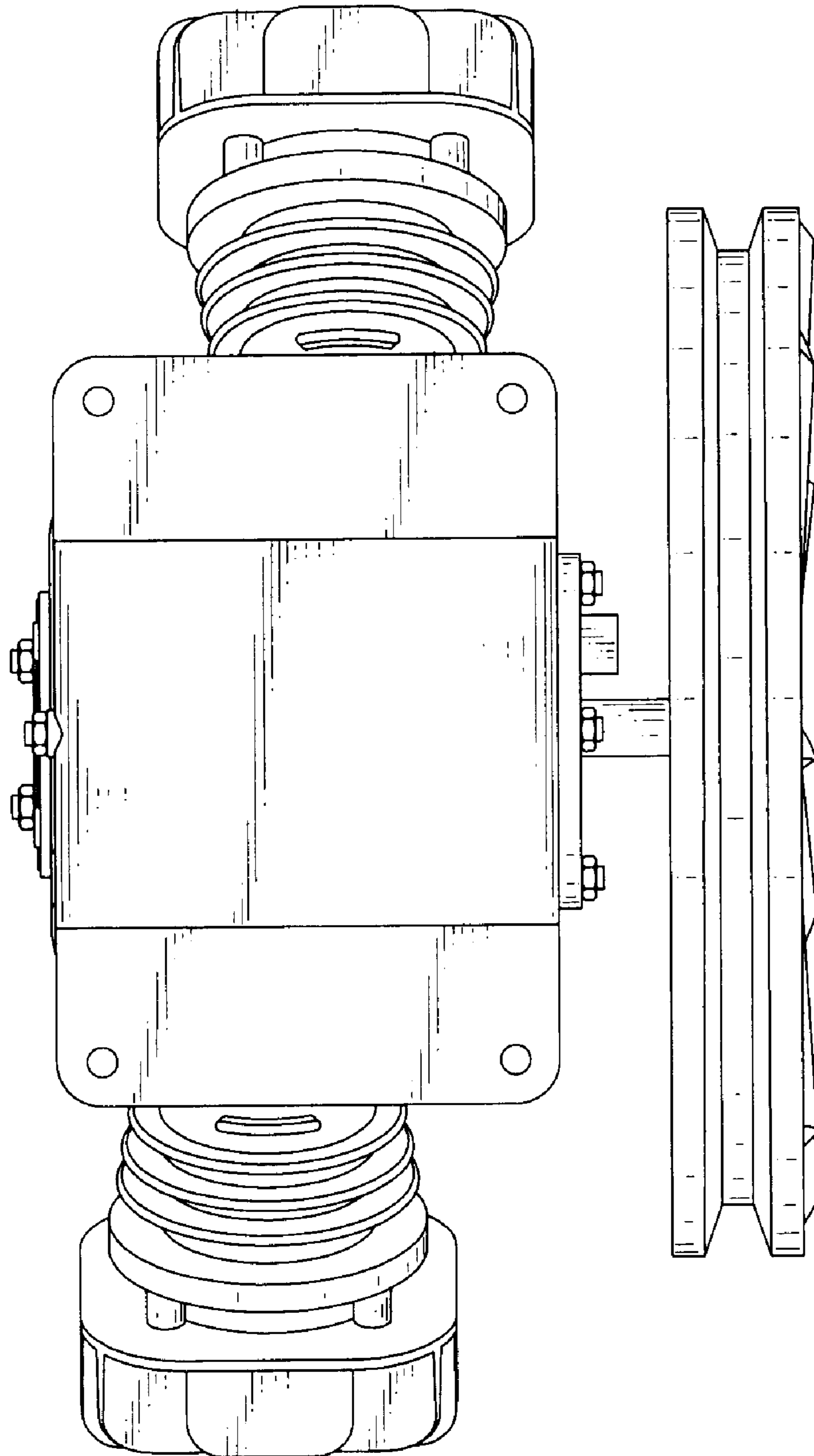


FIG. 7



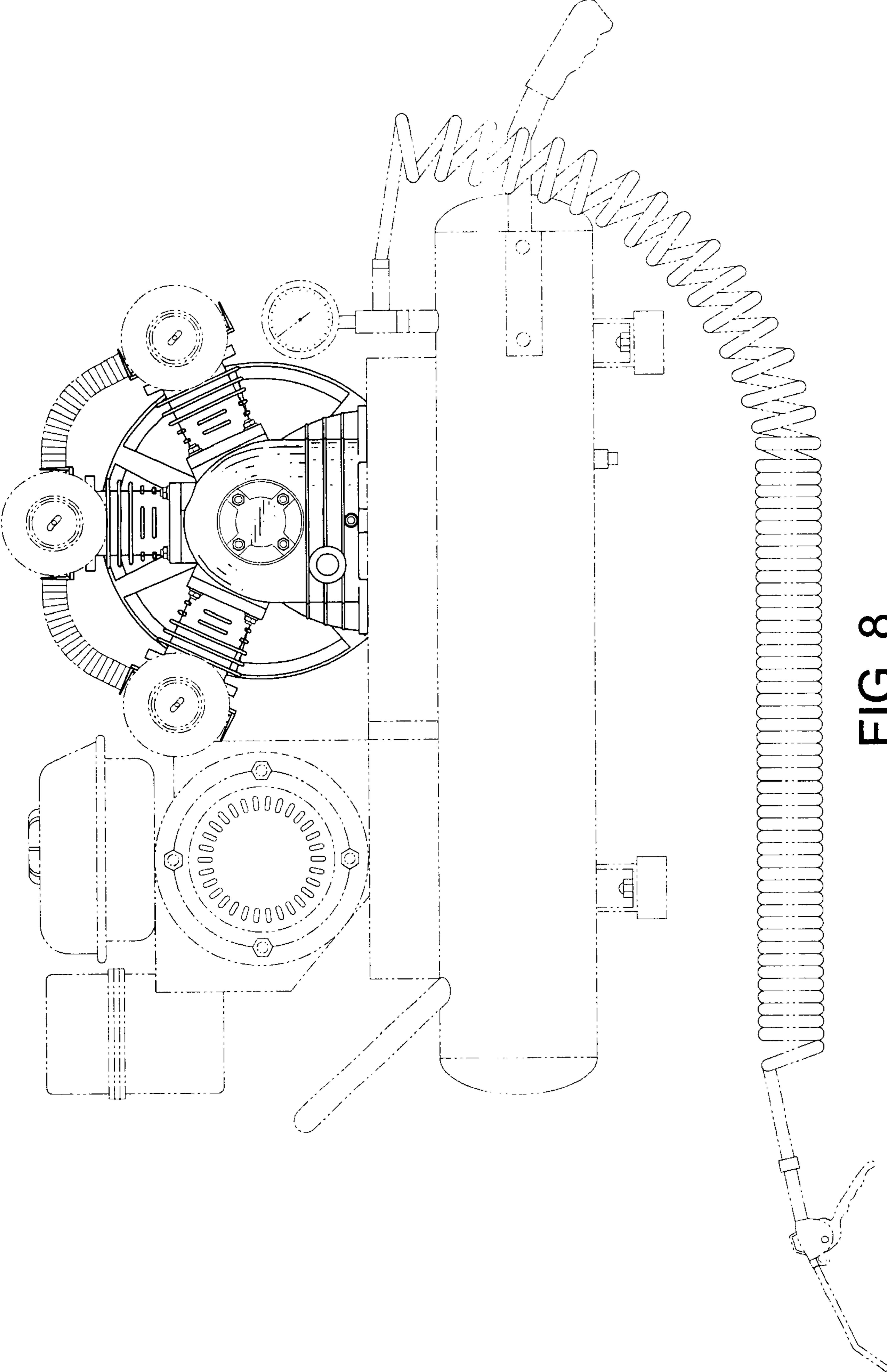


FIG. 8