



US00D528131S

(12) **United States Design Patent**
Wu

(10) **Patent No.:** **US D528,131 S**

(45) **Date of Patent:** **** Sep. 12, 2006**

(54) **AIR COMPRESSOR**

D507,278 S * 7/2005 Moser, III D15/9
D512,727 S * 12/2005 Hussaini et al. D15/9

(75) Inventor: **Jason Wu**, Taichung (TW)

* cited by examiner

(73) Assignee: **Benign Enterprise Co., Ltd.**, Taichung (TW)

Primary Examiner—Ralf T. Seifert

(74) *Attorney, Agent, or Firm*—Browdy and Neimark, PLLC

(**) Term: **14 Years**

(57) **CLAIM**

(21) Appl. No.: **29/229,586**

The ornamental design for air compressor, as shown.

(22) Filed: **May 10, 2005**

DESCRIPTION

(51) **LOC (8) Cl.** **15-02**

(52) **U.S. Cl.** **D15/9**

(58) **Field of Classification Search** D15/7-9;
D23/232, 231; 417/359, 415-416, 410.1,
417/321, 265, 405

FIG. 1 shows a perspective view of the present design.
FIG. 2 shows a right side elevational view of the present design.
FIG. 3 shows a top plan view of the present design.
FIG. 4 shows a front elevational view of the present design.
FIG. 5 shows a bottom plan view of the present design.
FIG. 6 shows a left side elevational view of the present design; and,
FIG. 7 shows a rear elevational view of the present design.

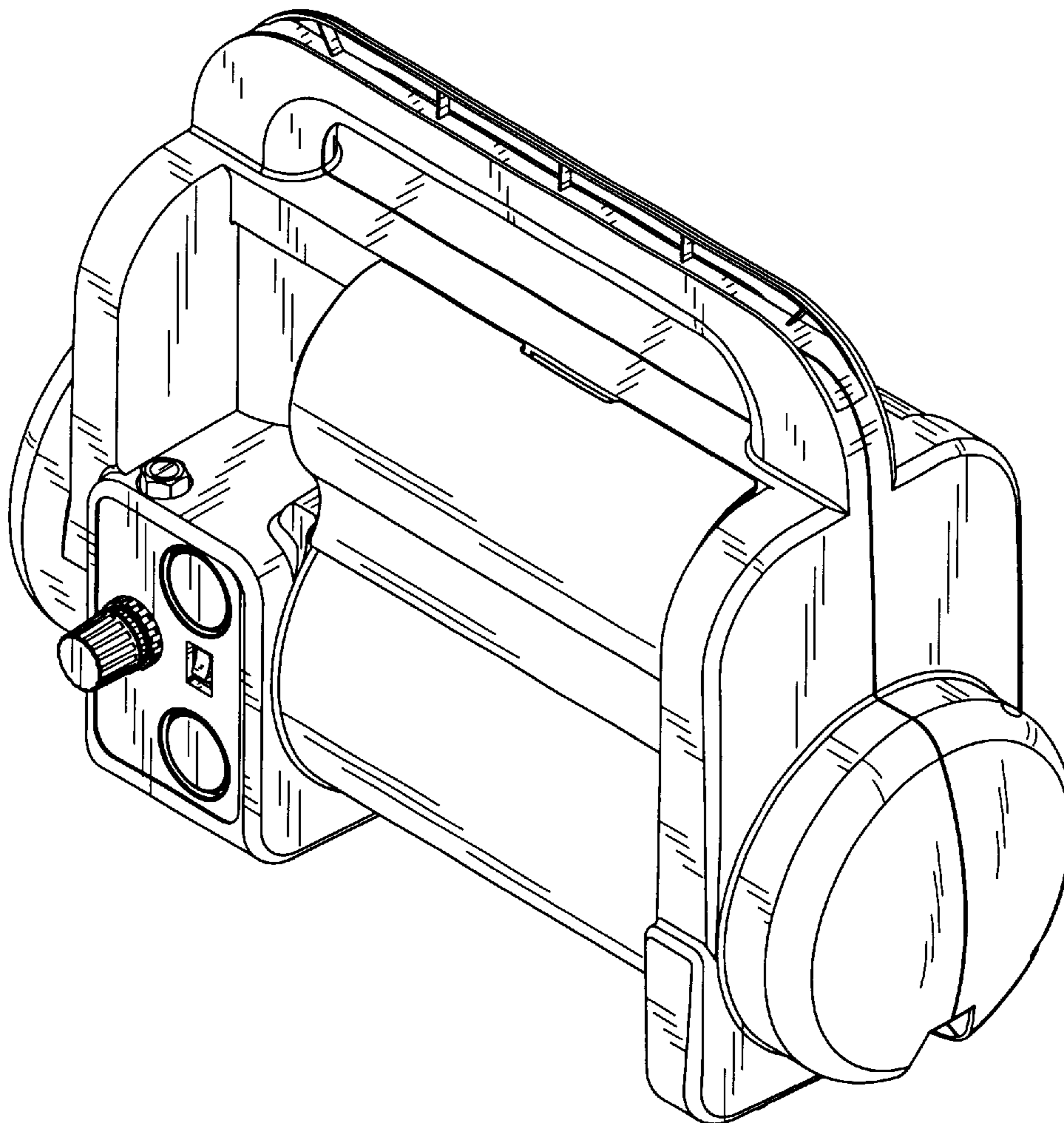
See application file for complete search history.

(56) **References Cited**

U.S. PATENT DOCUMENTS

D499,744 S * 12/2004 Orschell et al. D15/7

1 Claim, 4 Drawing Sheets



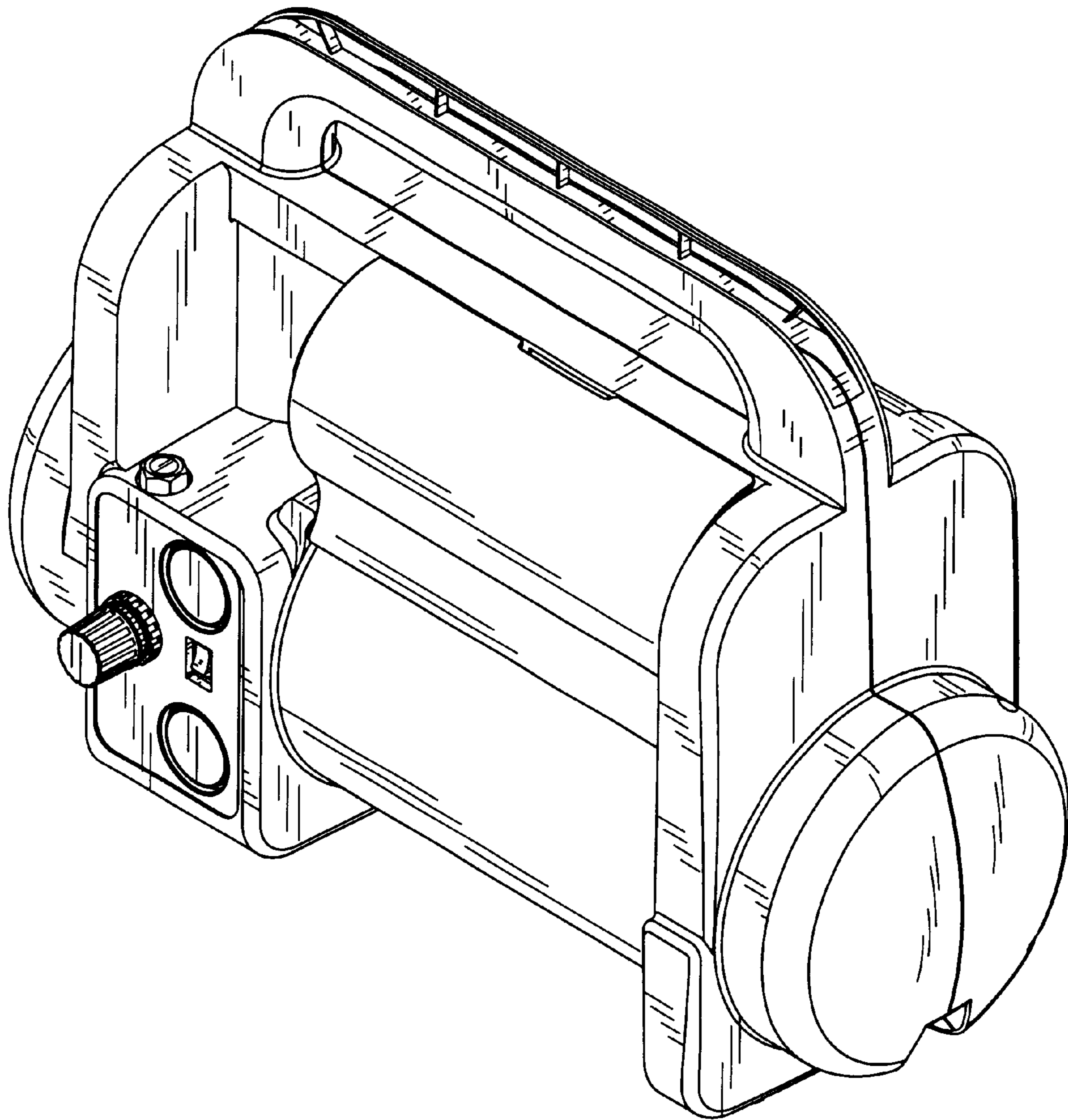


FIG. 1

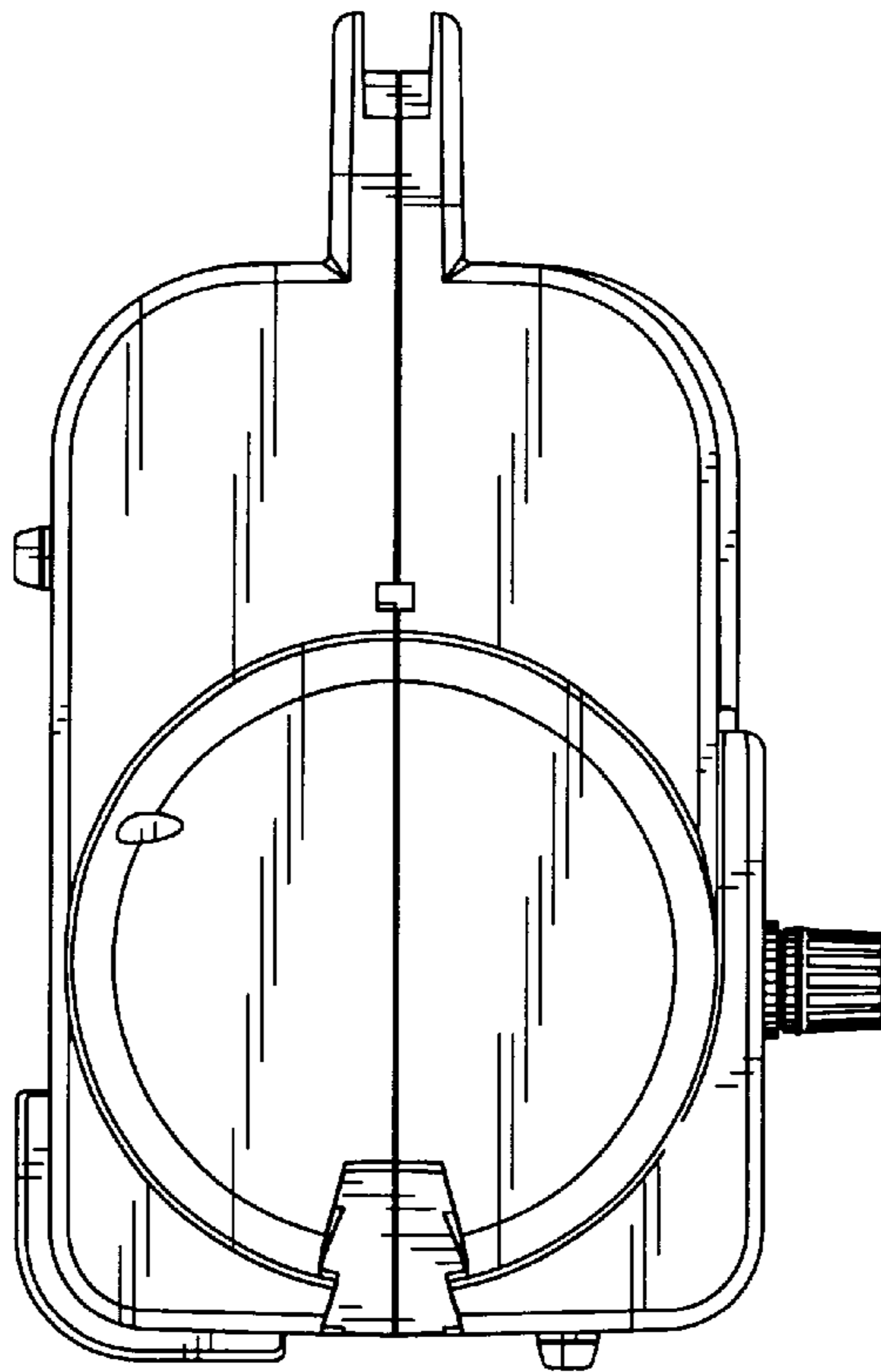


FIG. 2

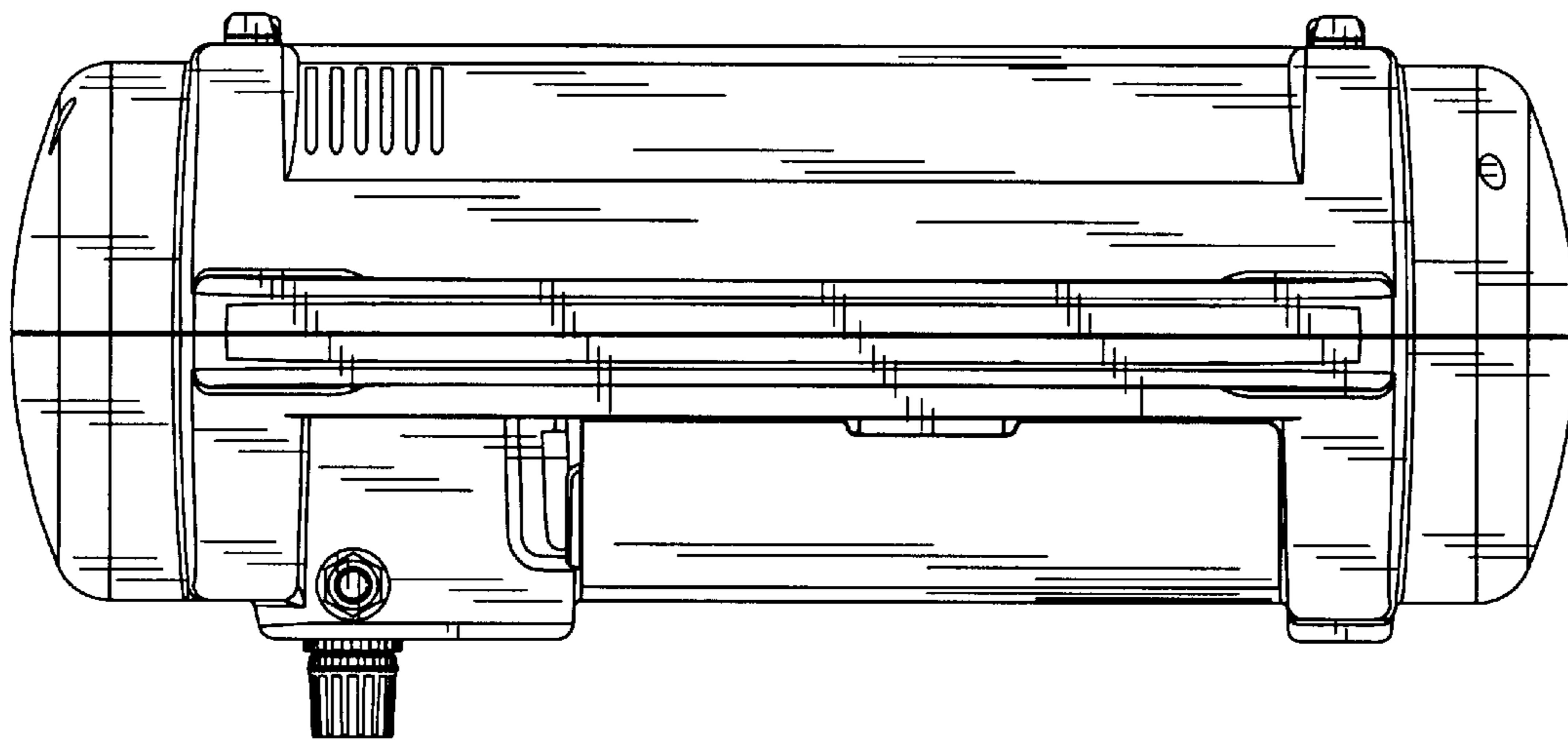


FIG. 3

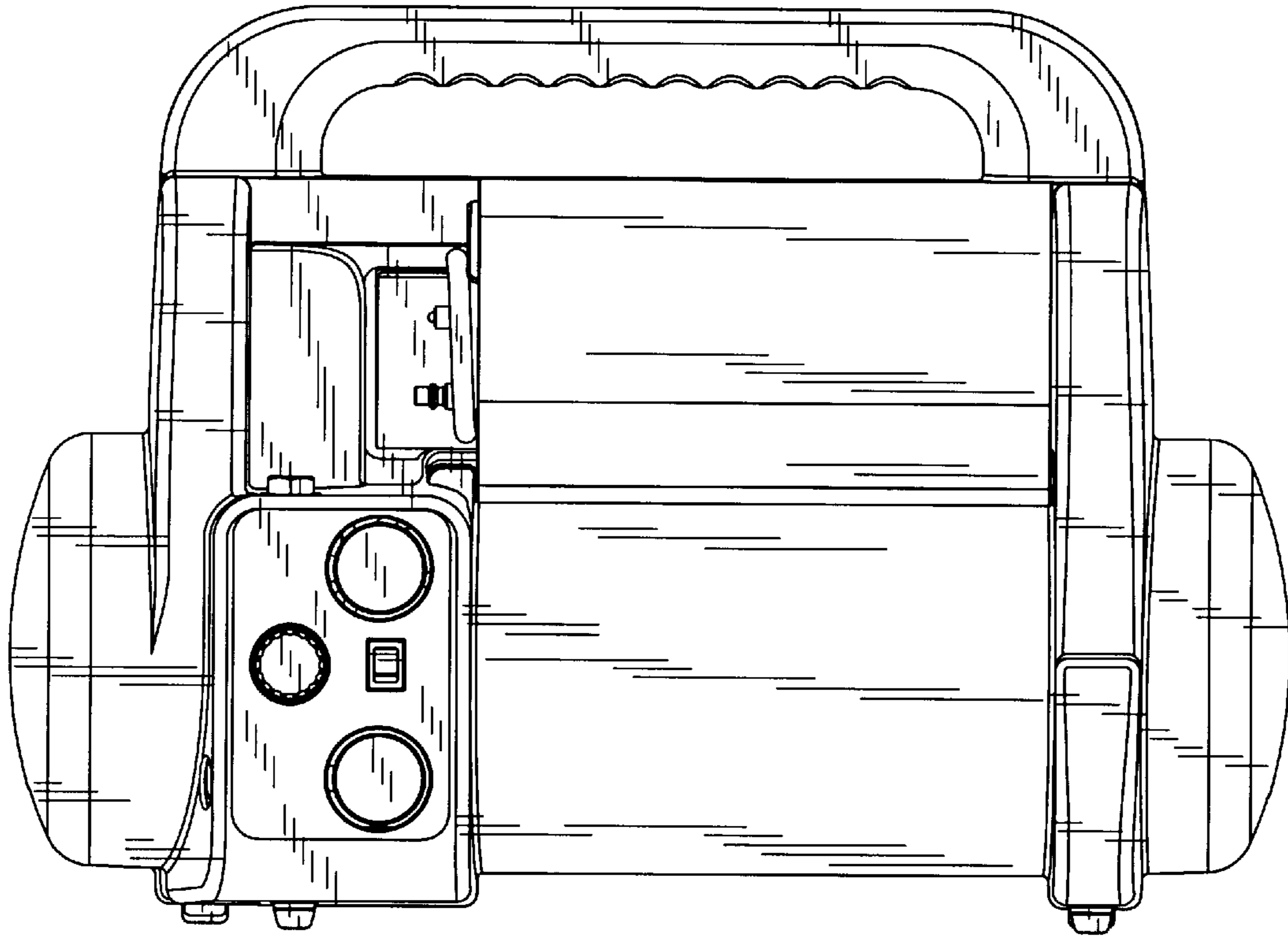


FIG. 4

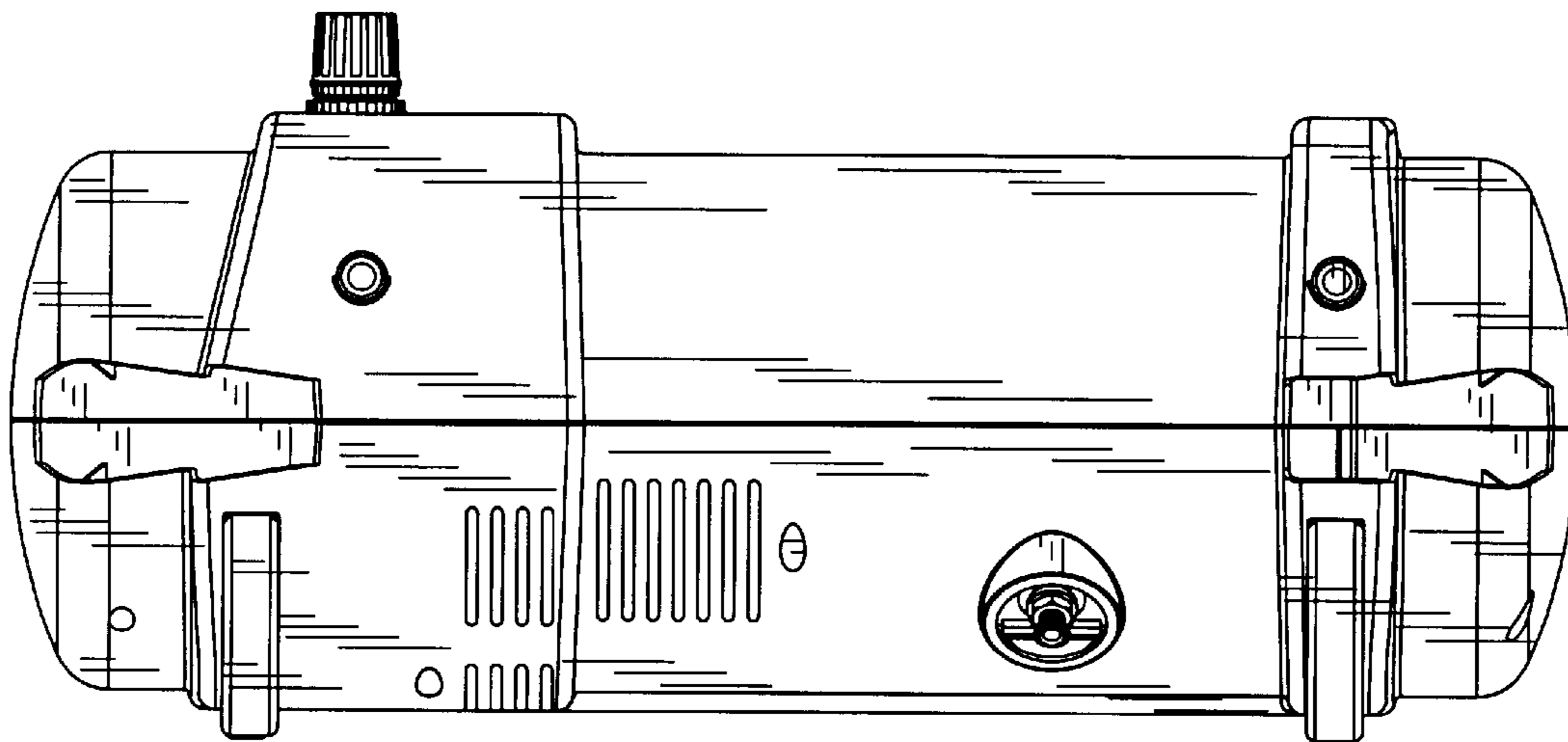


FIG. 5

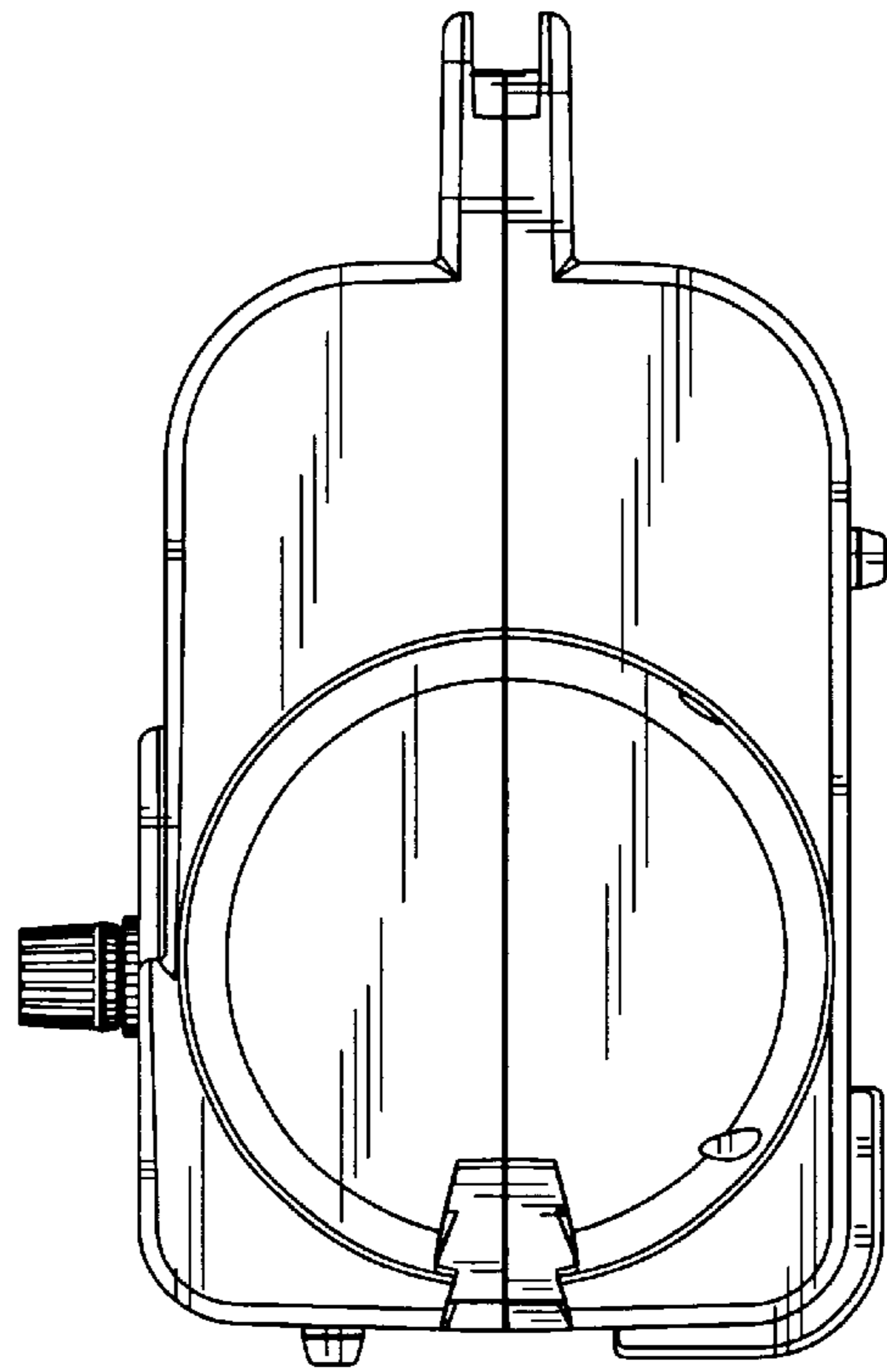


FIG. 6

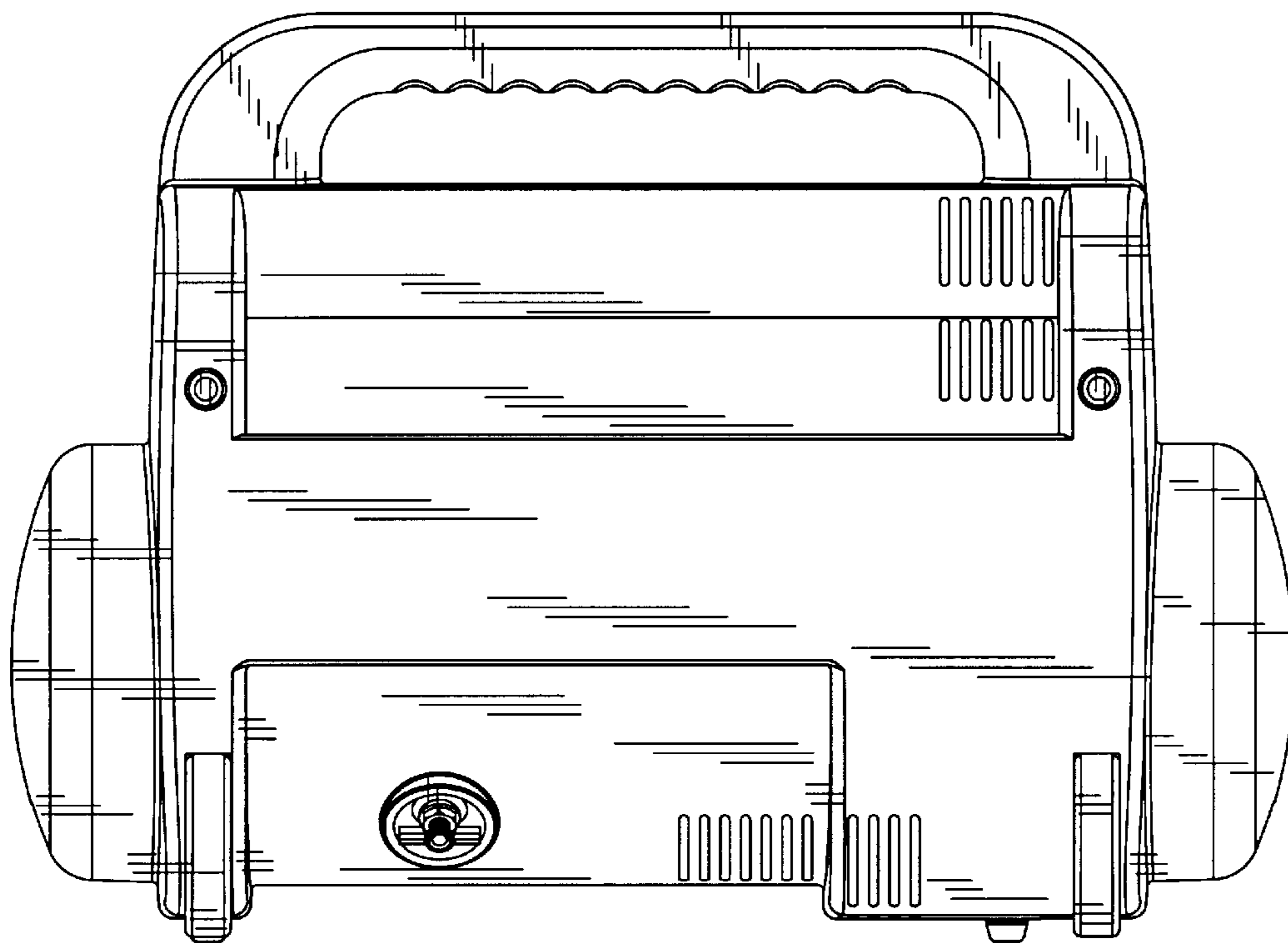


FIG. 7