



US00D528129S

(12) **United States Design Patent**
Huang

(10) **Patent No.:** **US D528,129 S**

(45) **Date of Patent:** **** Sep. 12, 2006**

(54) **AIR INTAKE DEVICE**

(76) Inventor: **Jui-Fa Huang**, No. 523, Jhanglu Rd.,
Sioushuei Township, Changhua County
504 (TW)

(**) Term: **14 Years**

(21) Appl. No.: **29/217,843**

(22) Filed: **Nov. 24, 2004**

(51) **LOC (8) Cl.** **15-01**

(52) **U.S. Cl.** **D15/5**

(58) **Field of Classification Search** D15/1-5;
123/184.21, 184.24, 184.25, 184.34, 184.35,
123/184.42, 184.43, 184.47, 184.48, 184.54,
123/184.61, 568.17, 572; 181/229
See application file for complete search history.

(56) **References Cited**

U.S. PATENT DOCUMENTS

5,424,494 A * 6/1995 Houle et al. 181/229
6,024,066 A * 2/2000 Nakayama et al. 123/184.21
D512,074 S * 11/2005 Bender D15/5
6,990,941 B1 * 1/2006 Bender 123/184.21

2004/0226531 A1 * 11/2004 Kino et al. 123/184.21
2005/0076871 A1 * 4/2005 Paek 123/184.21
2005/0274347 A1 * 12/2005 Cusumano et al. 123/184.21
2006/0005820 A1 * 1/2006 Jeon 123/572

* cited by examiner

Primary Examiner—Terry A. Wallace

Assistant Examiner—Maurice Stevens

(74) *Attorney, Agent, or Firm*—Troxell Law Office, PLLC

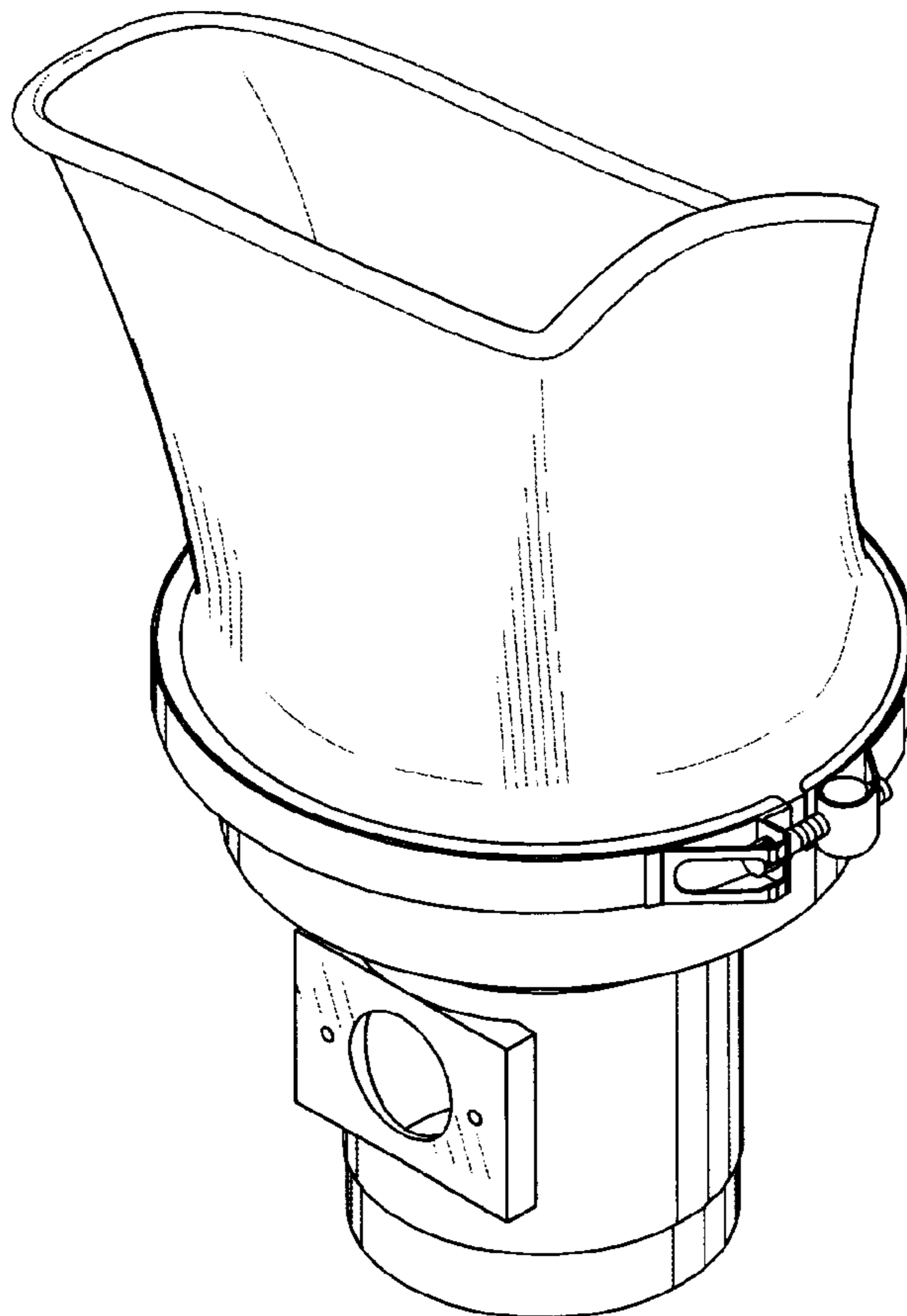
(57) **CLAIM**

I claim the ornamental design for a air intake device, as shown and described.

DESCRIPTION

FIG. 1 is a front perspective view of a air intake device showing my new design;
FIG. 2 is a front elevational view thereof;
FIG. 3 is a rear elevational view thereof;
FIG. 4 is a left side elevational view thereof;
FIG. 5 is a right side elevational view thereof;
FIG. 6 is a top plan view thereof; and,
FIG. 7 is a bottom plan view thereof.

1 Claim, 7 Drawing Sheets



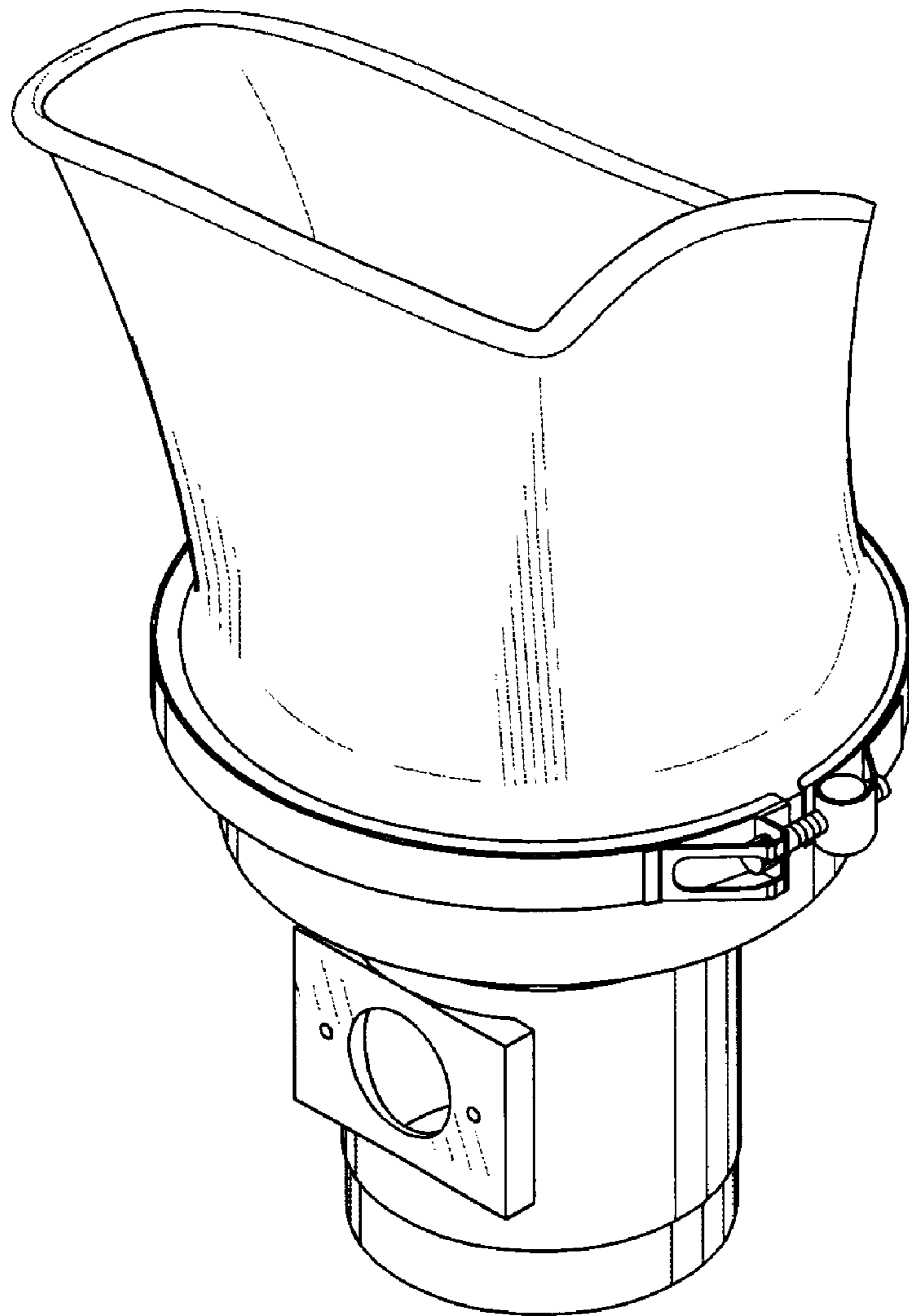


FIG. 1

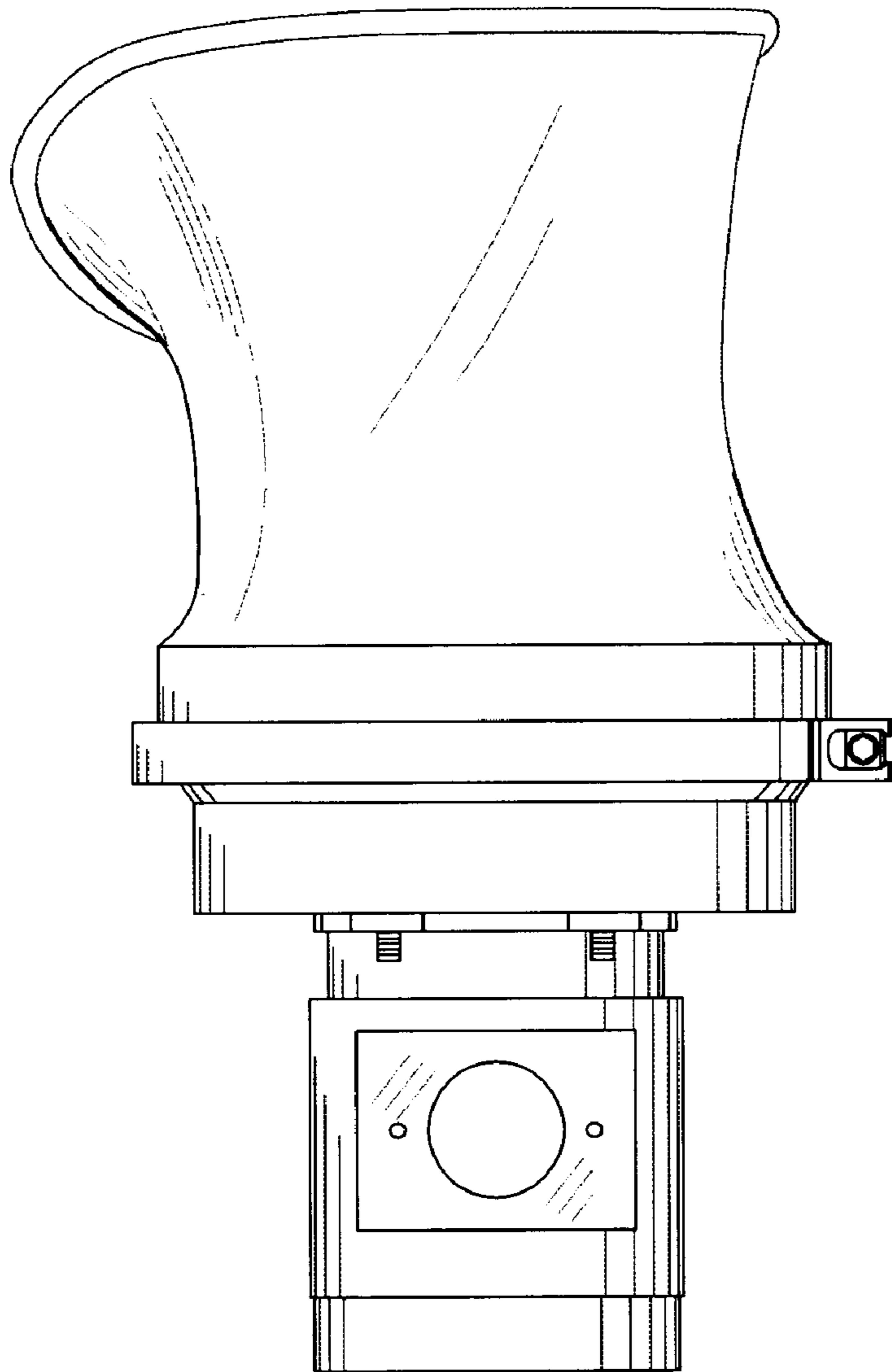


FIG. 2

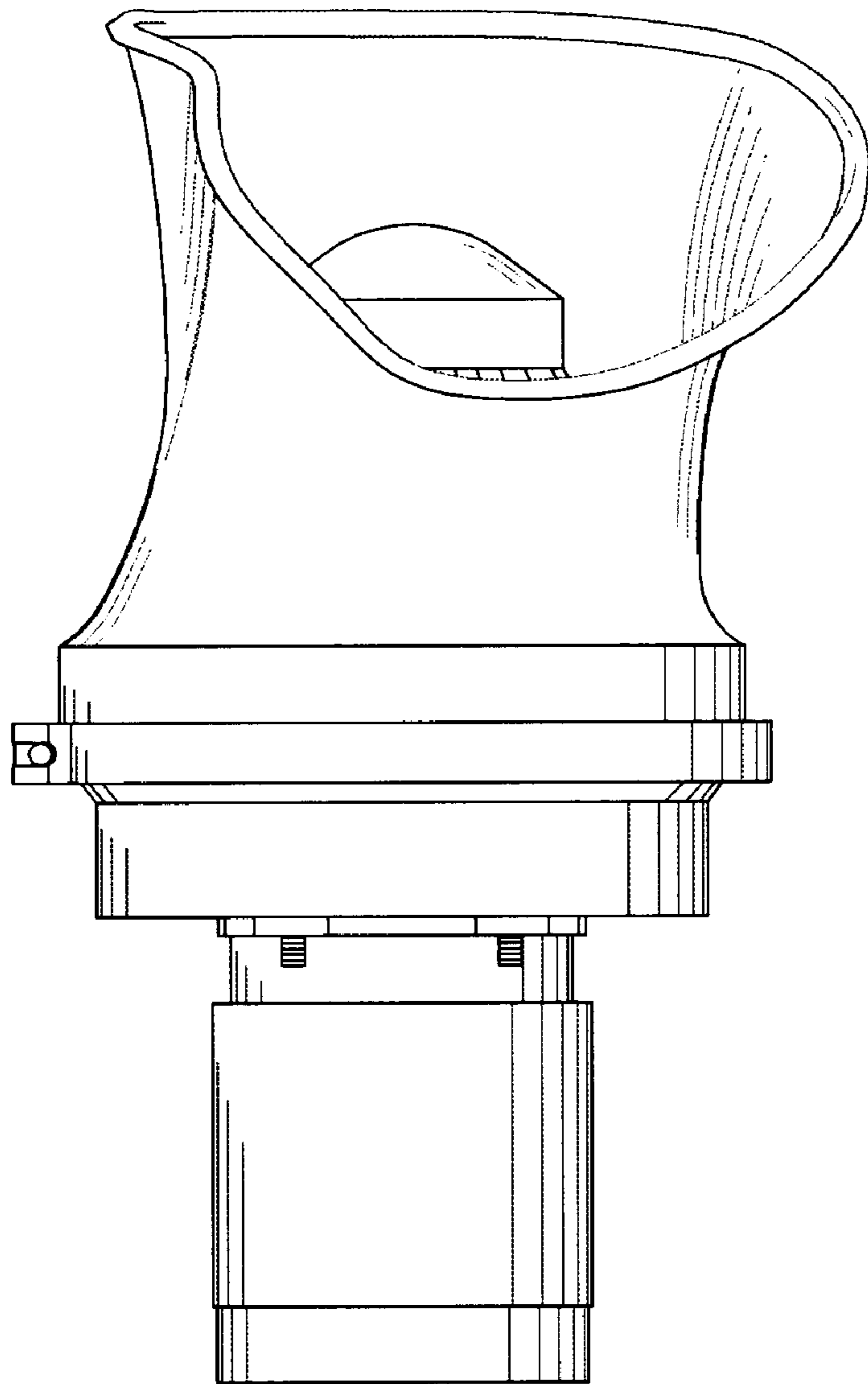


FIG. 3

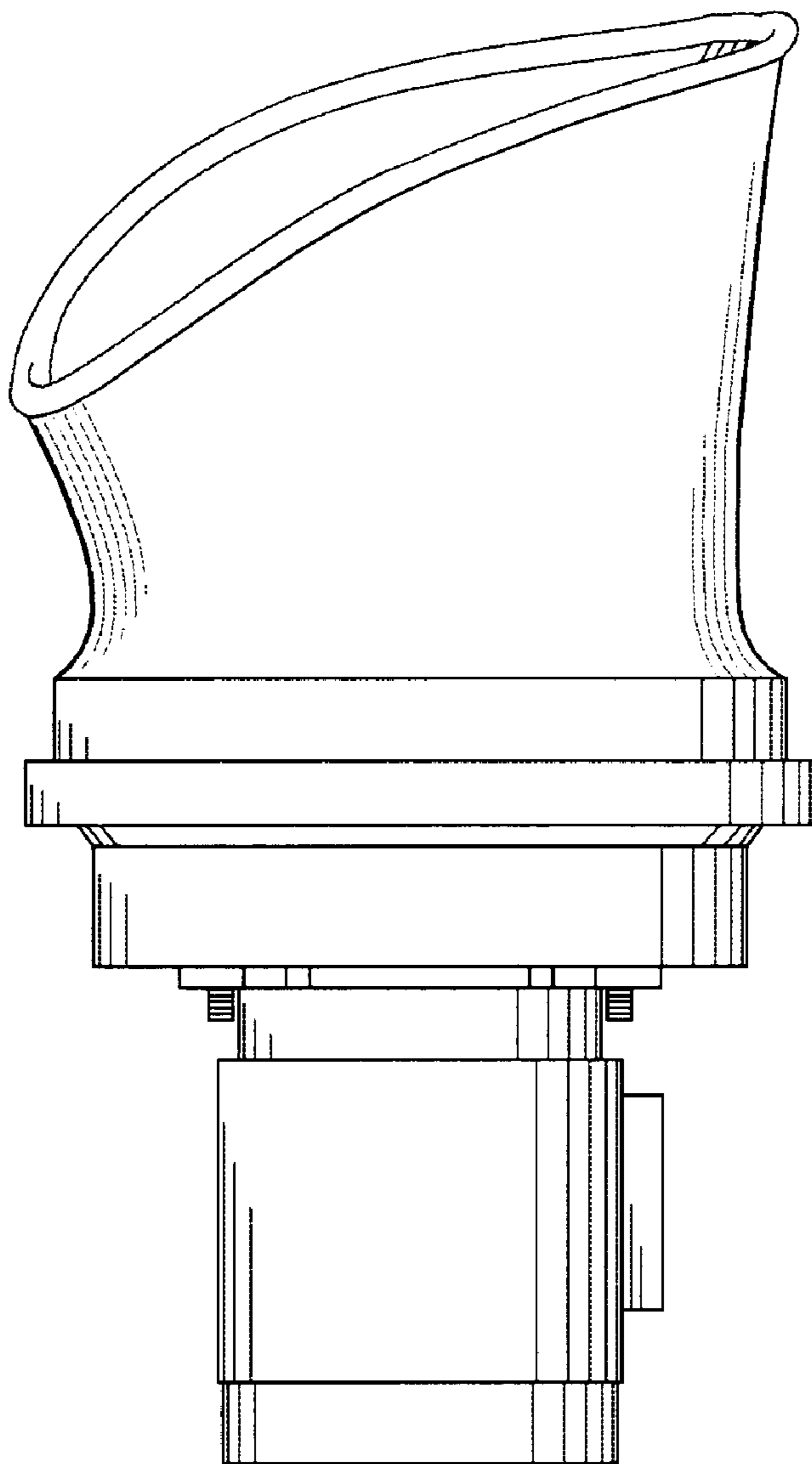


FIG. 4

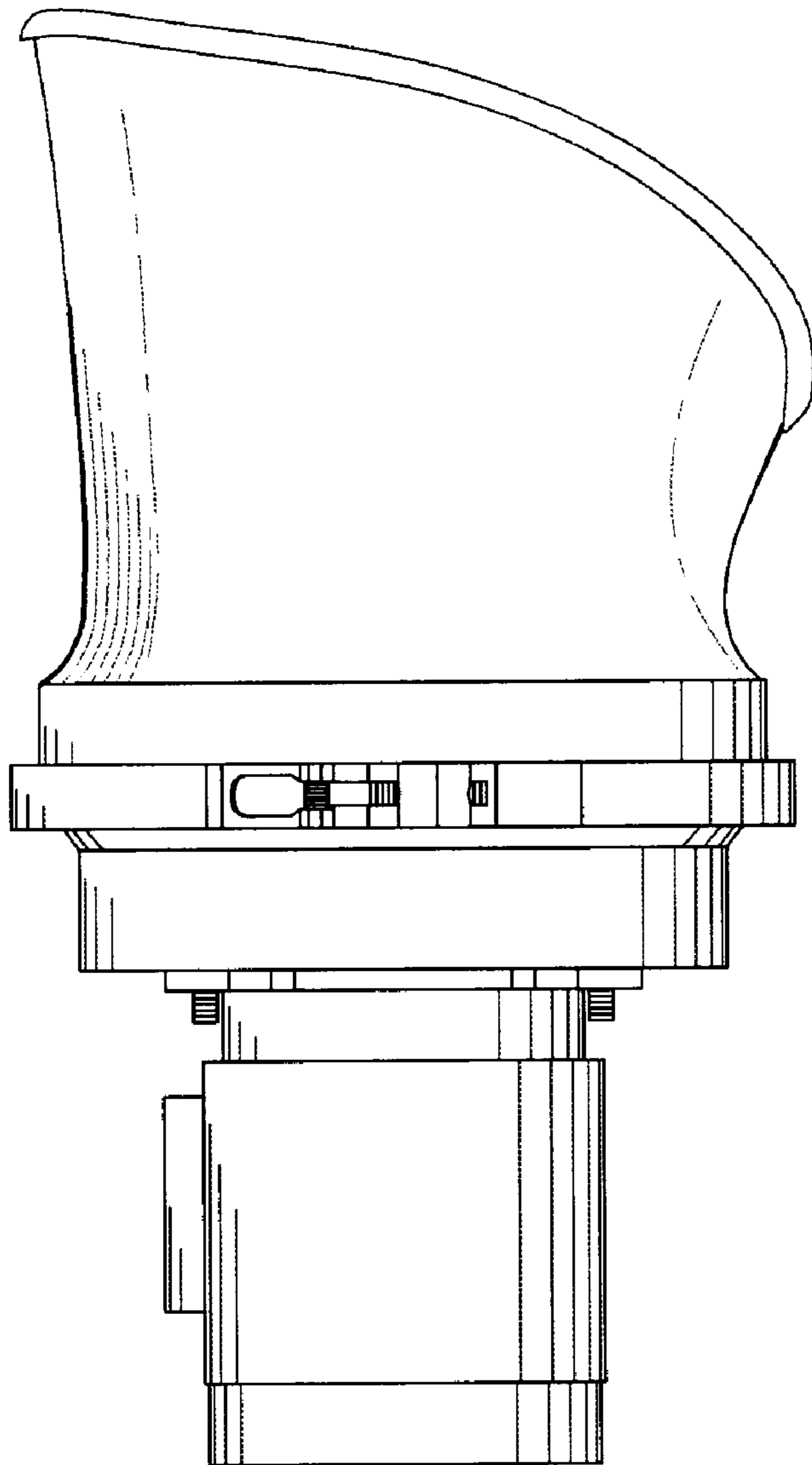


FIG. 5

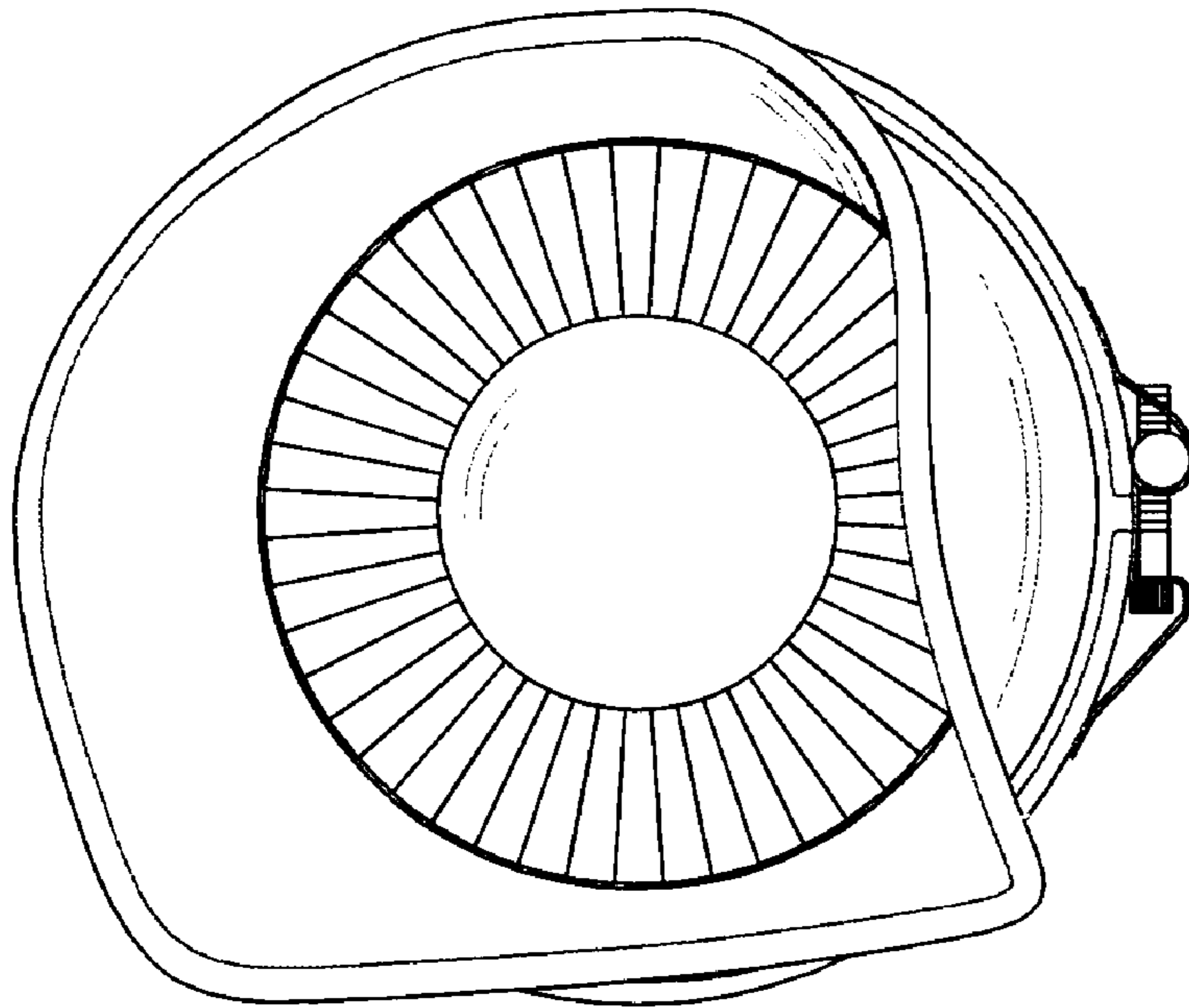


FIG. 6

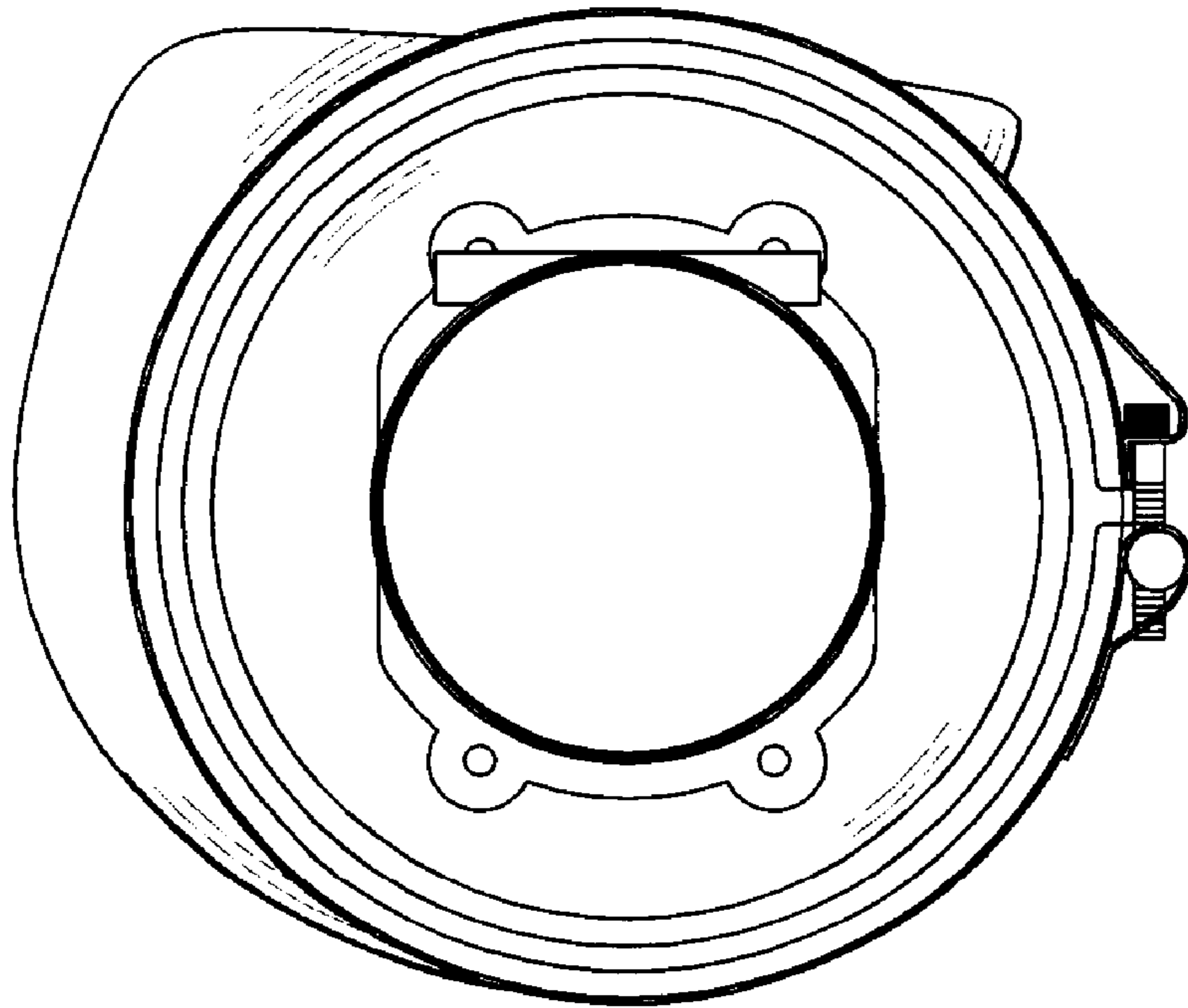


FIG. 7