



US00D528128S

(12) **United States Design Patent**
Sanschagrín et al.

(10) **Patent No.:** **US D528,128 S**

(45) **Date of Patent:** **** Sep. 12, 2006**

(54) **COWLING**

(75) Inventors: **Stephane Sanschagrín**, Valcourt (CA);
Pierre Vignau, Montreal (CA)

(73) Assignee: **BRP US Inc.**, Strutevant, WI (US)

(**) Term: **14 Years**

(21) Appl. No.: **29/244,496**

(22) Filed: **Dec. 12, 2005**

Related U.S. Application Data

(62) Division of application No. 29/188,593, filed on Aug. 21, 2003, which is a continuation-in-part of application No. 29/175,384, filed on Feb. 4, 2003, now Pat. No. Des. 484,144, which is a continuation of application No. 29/159,706, filed on Apr. 26, 2002, now Pat. No. Des. 474,784.

(51) **LOC (8) Cl.** **15-01**

(52) **U.S. Cl.** **D15/4**

(58) **Field of Classification Search** D15/1-5;
440/3-6, 52, 53, 57, 61 R, 84, 88 R; 123/495,
123/195 P; 290/43-46, 54; 248/640, 642,
248/643

See application file for complete search history.

(56) **References Cited**

U.S. PATENT DOCUMENTS

D421,444 S * 3/2000 Hatch et al. D15/4
D470,154 S * 2/2003 Burmeister et al. D15/4

D478,597 S * 8/2003 Zebley, Jr. D15/4
D485,849 S * 1/2004 Sanschagrín et al. D15/4
D495,716 S * 9/2004 Sanschagrín et al. D15/4
D498,764 S * 11/2004 Sanschagrín et al. D15/4
6,840,827 B1 * 1/2005 Vignau 440/77
2005/0272322 A1 * 12/2005 Mizuguchi et al. 440/61 R

* cited by examiner

Primary Examiner—Ian Simmons

Assistant Examiner—Maurice Stevens

(74) *Attorney, Agent, or Firm*—Osler, Hoskin & Harcourt LLP

(57) **CLAIM**

The ornamental design for a cowling, as shown and described.

DESCRIPTION

FIG. 1 is a perspective illustration, from the rear, left side of the cowling of our design;

FIG. 2 is a perspective illustration thereof, from the front, left side;

FIG. 3 is a rear view thereof;

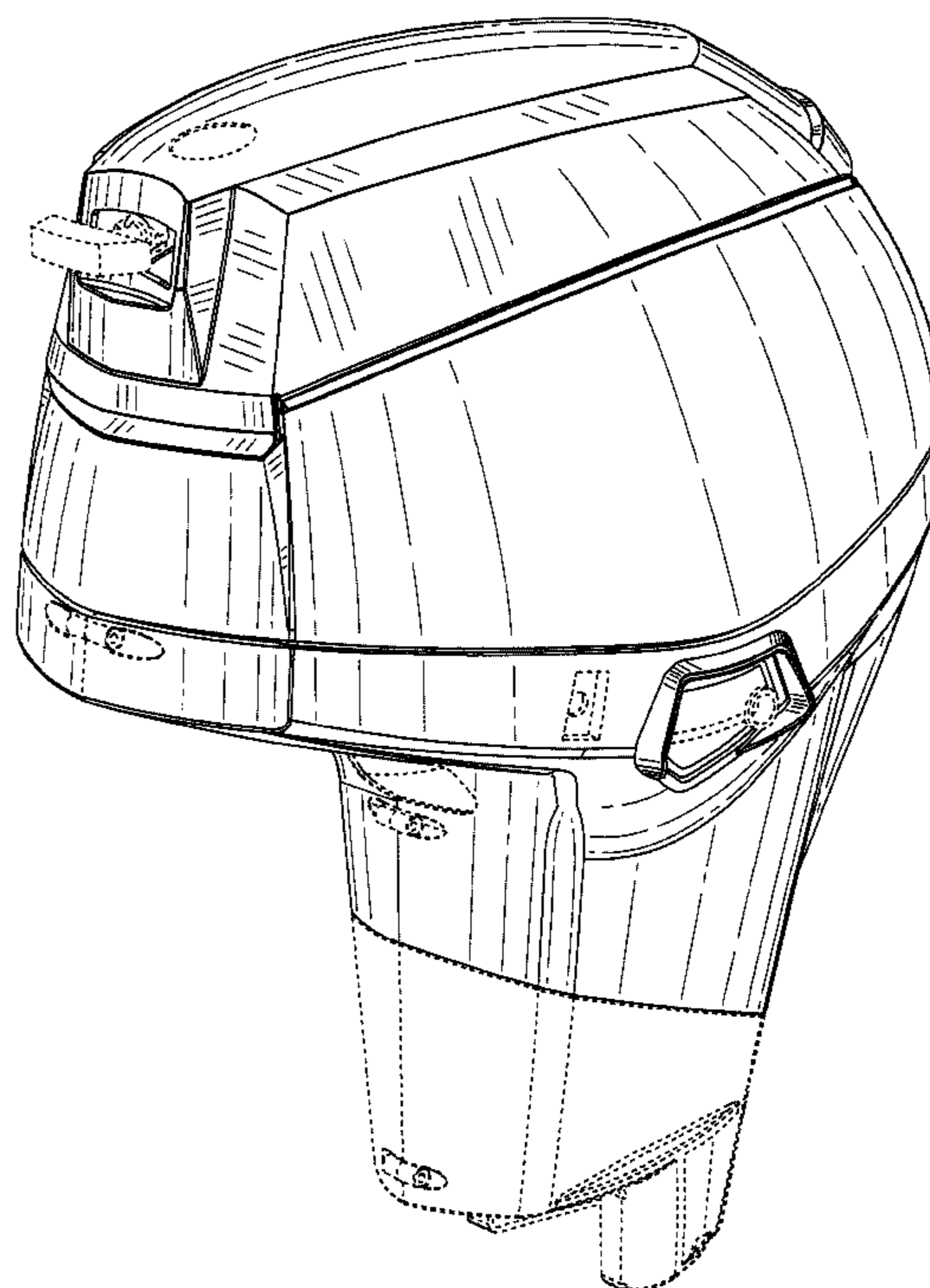
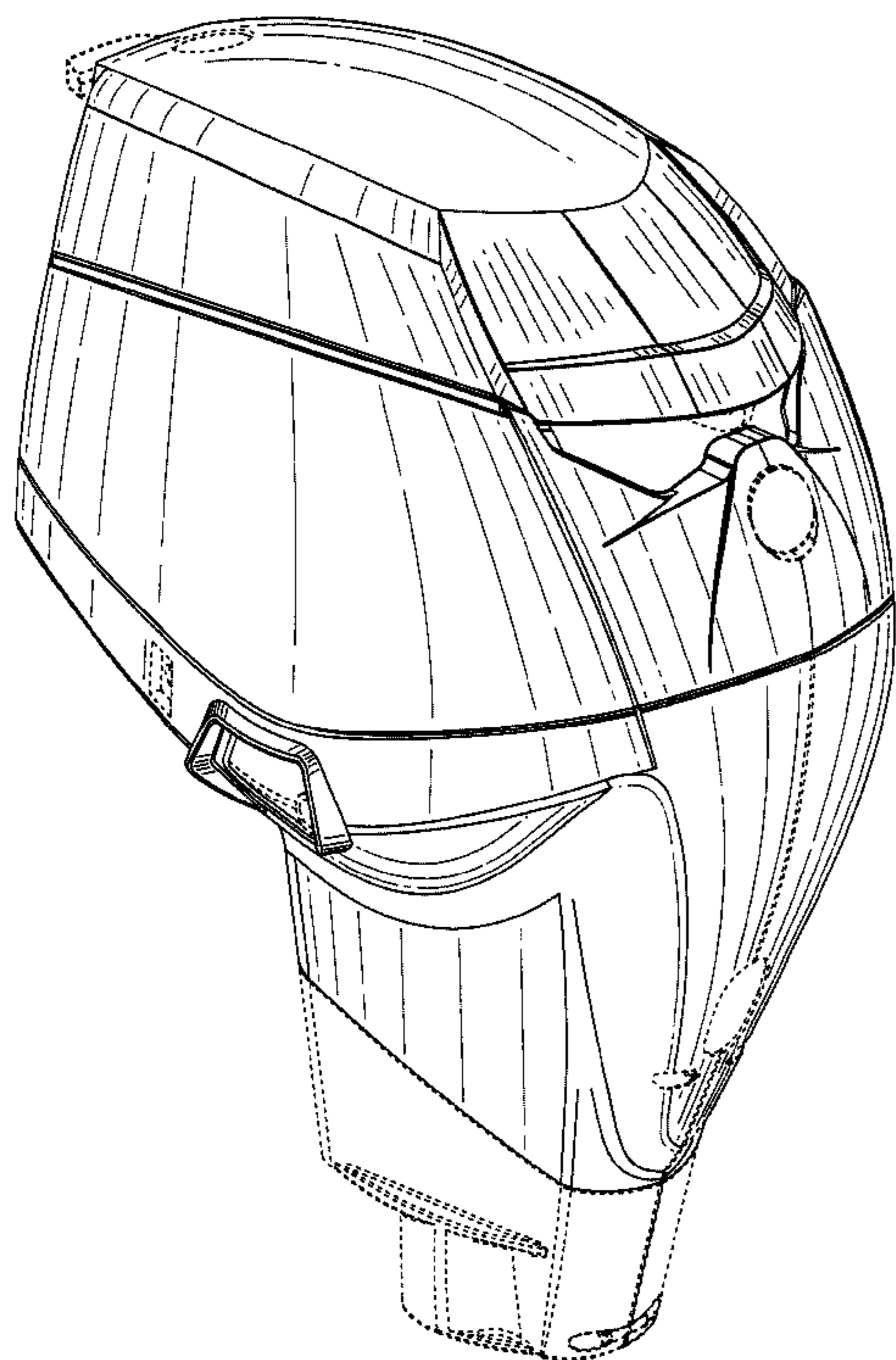
FIG. 4 is left side view thereof, the right side being a mirror image;

FIG. 5 is a front view thereof; and,

FIG. 6 is a top view thereof.

Where included, broken lines showing environment or structure are for illustrative purposes only and form no part of the claimed design.

1 Claim, 6 Drawing Sheets



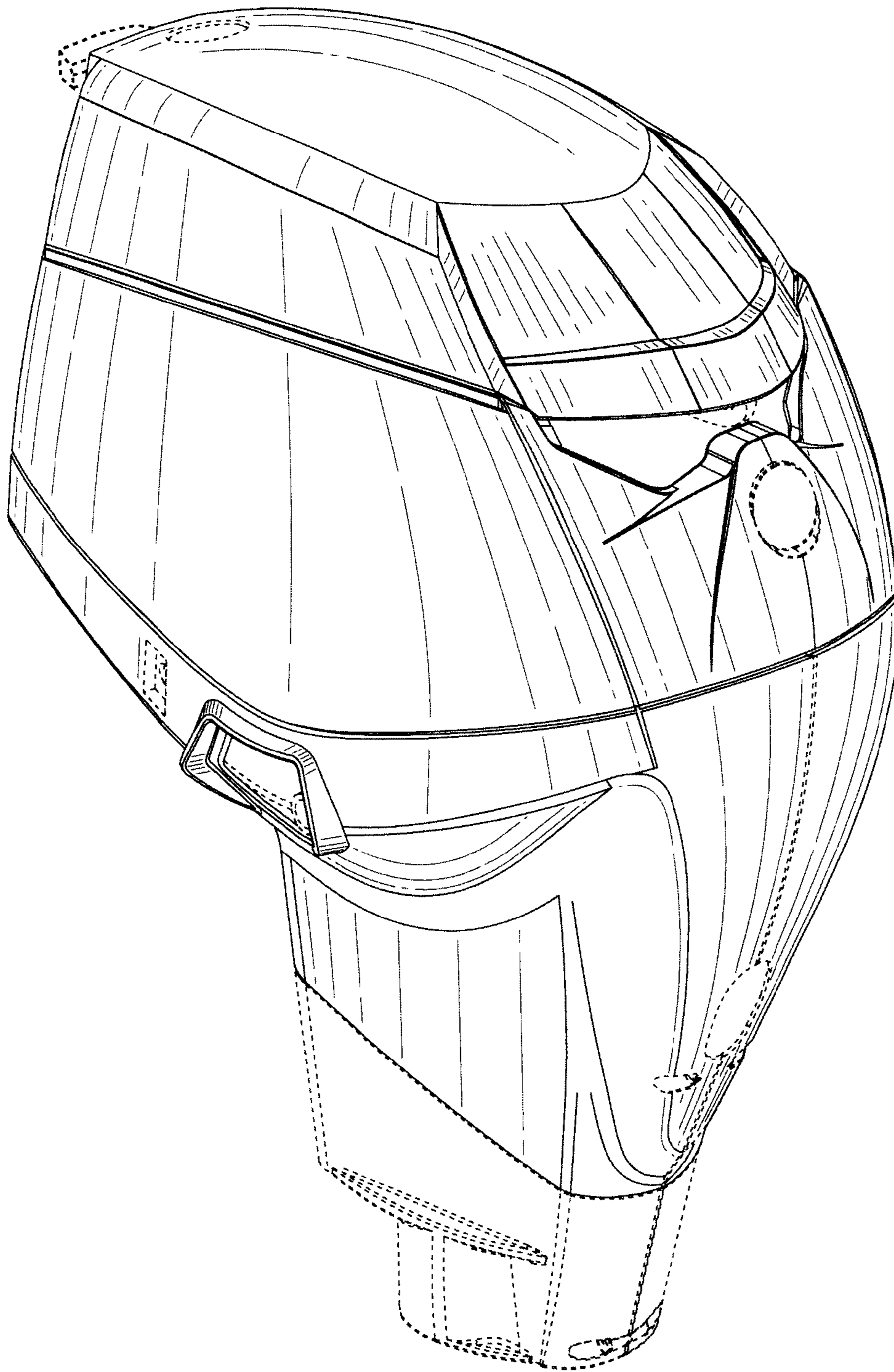


FIG. 1

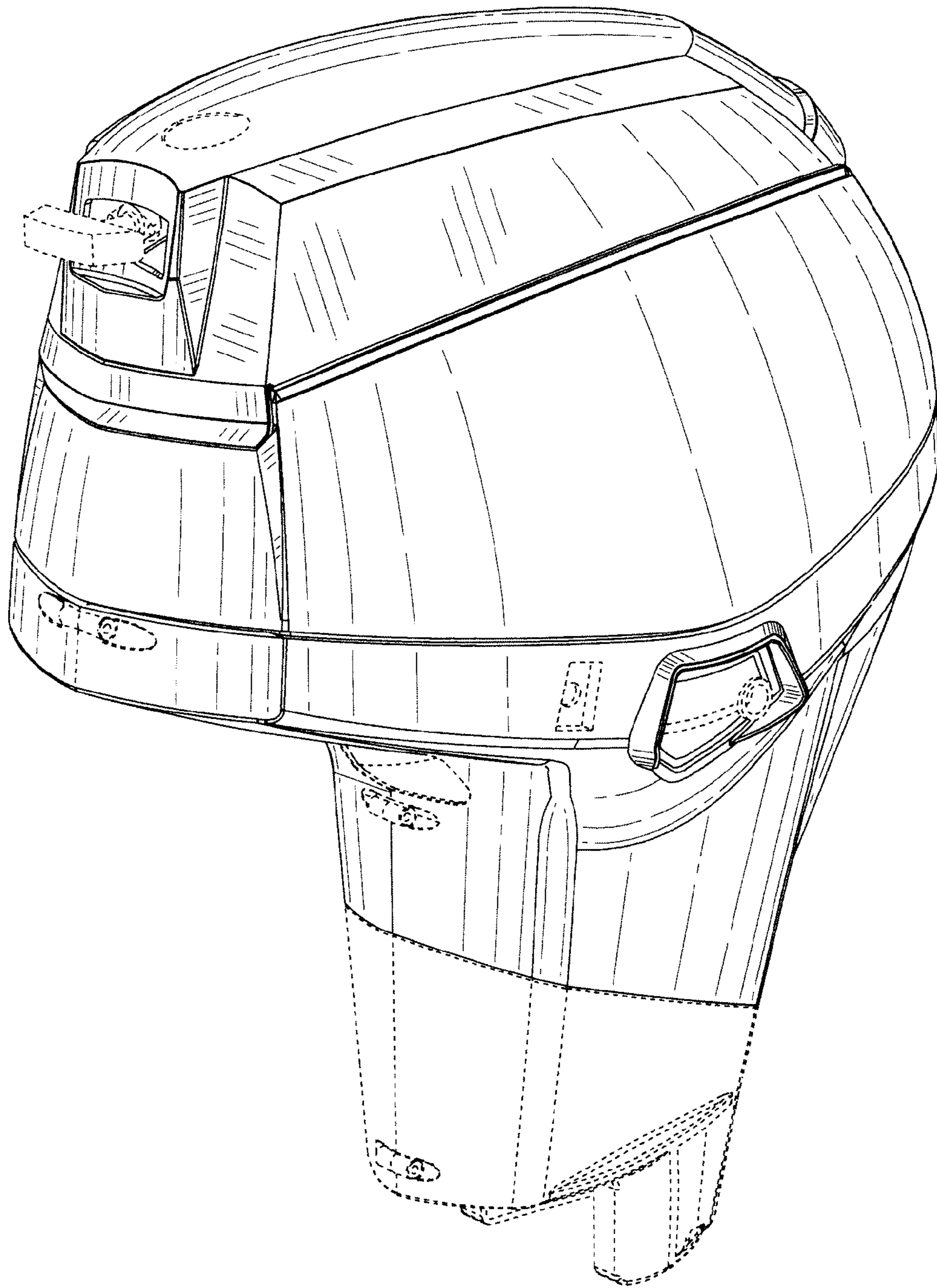


FIG. 2

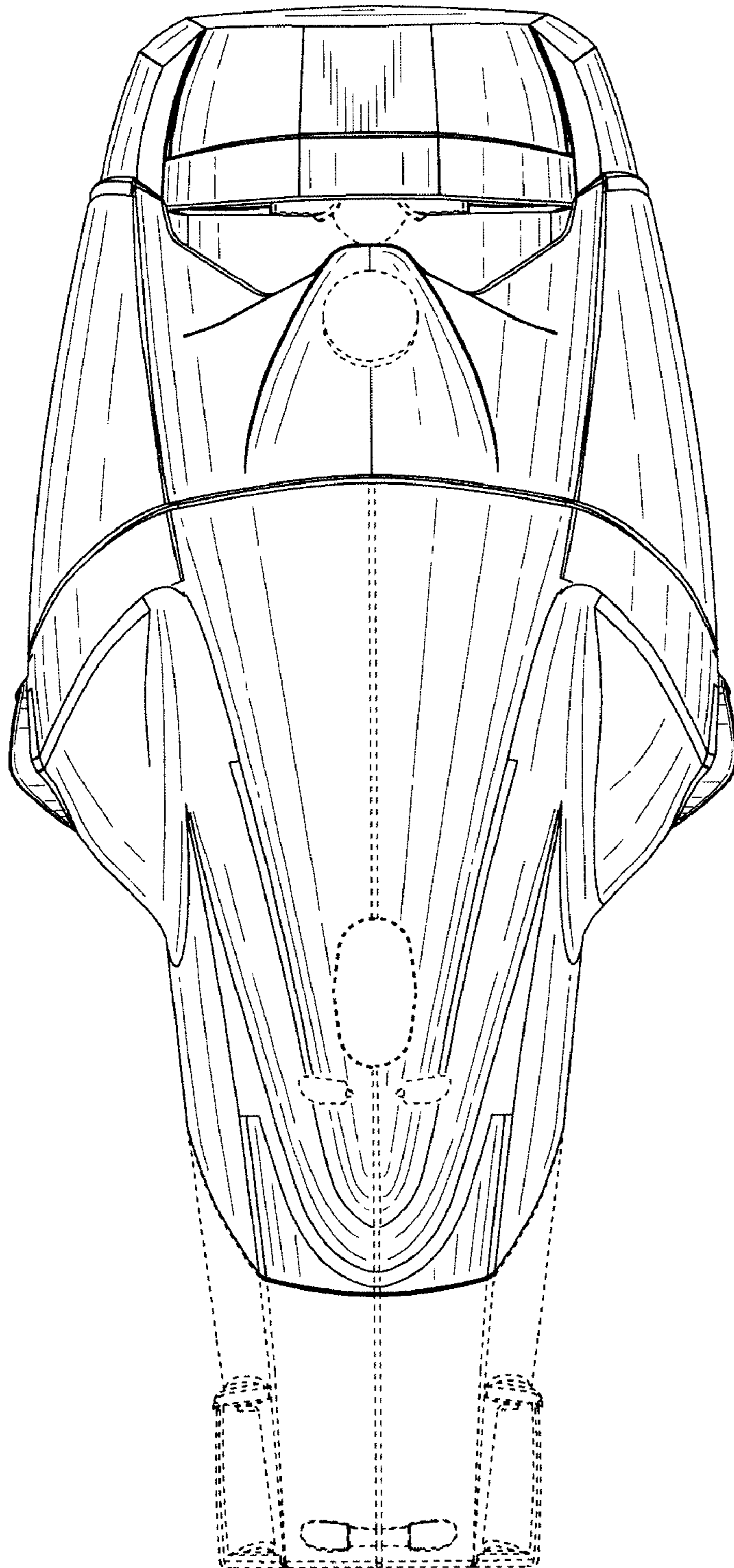


FIG. 3

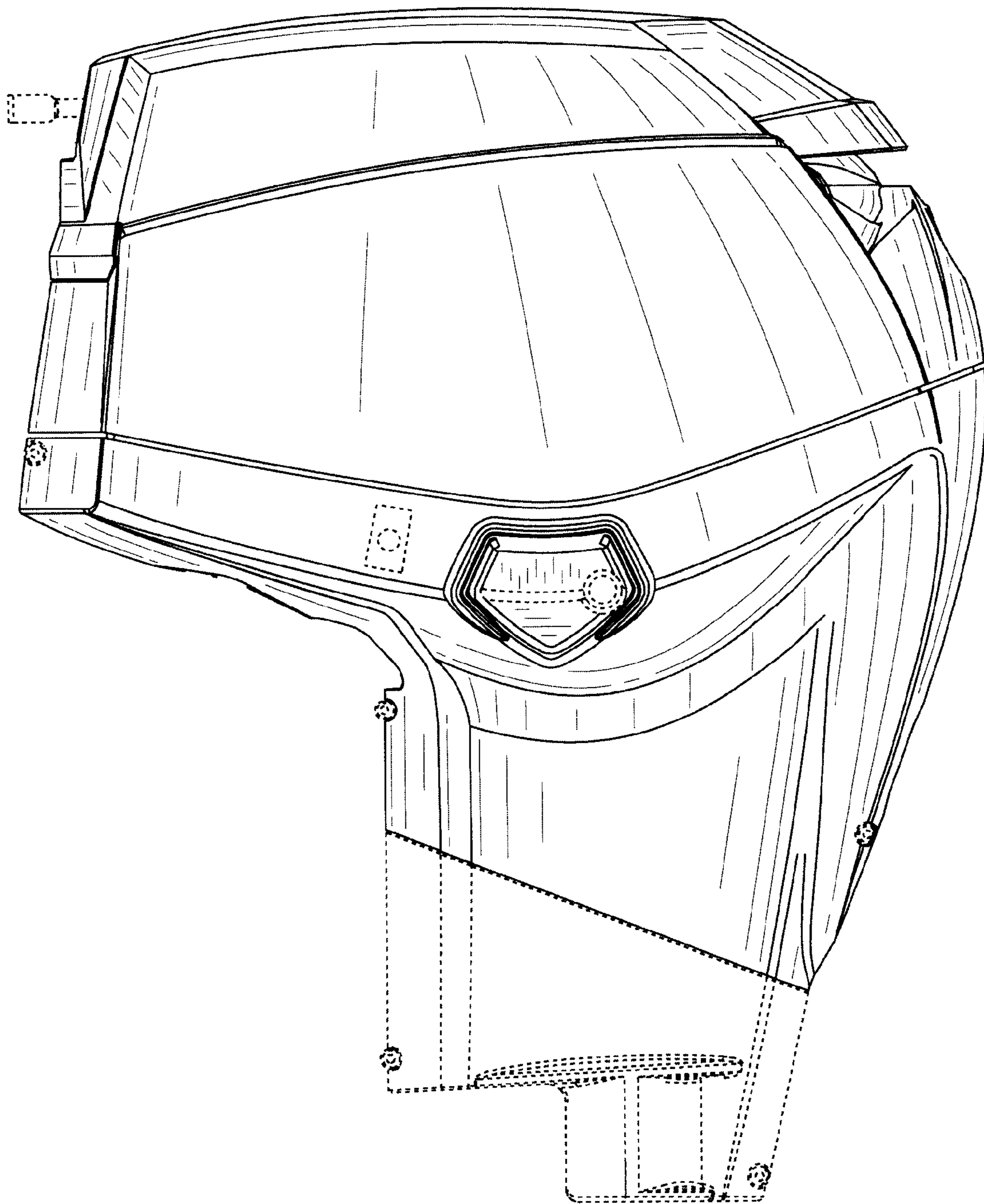


FIG. 4

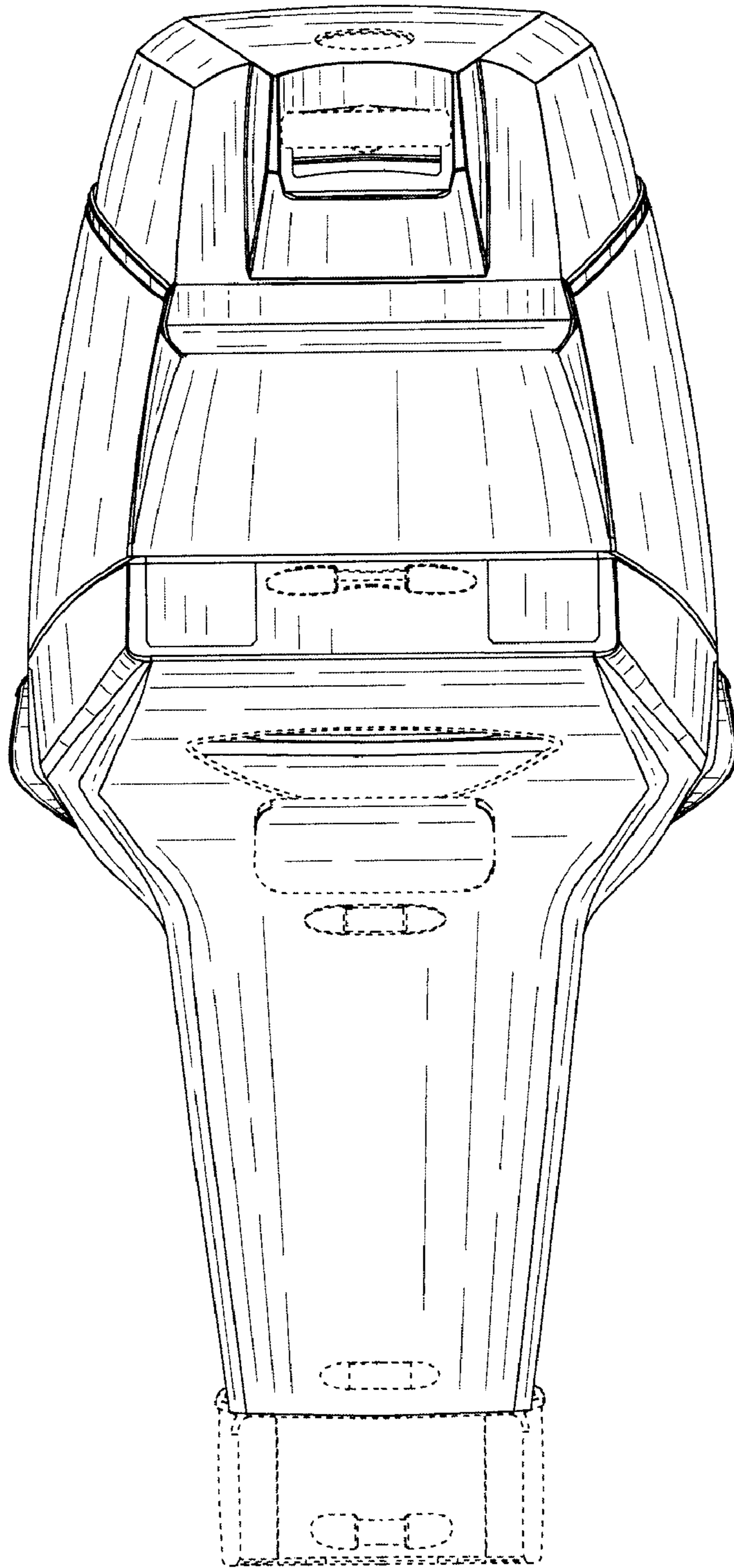


FIG. 5

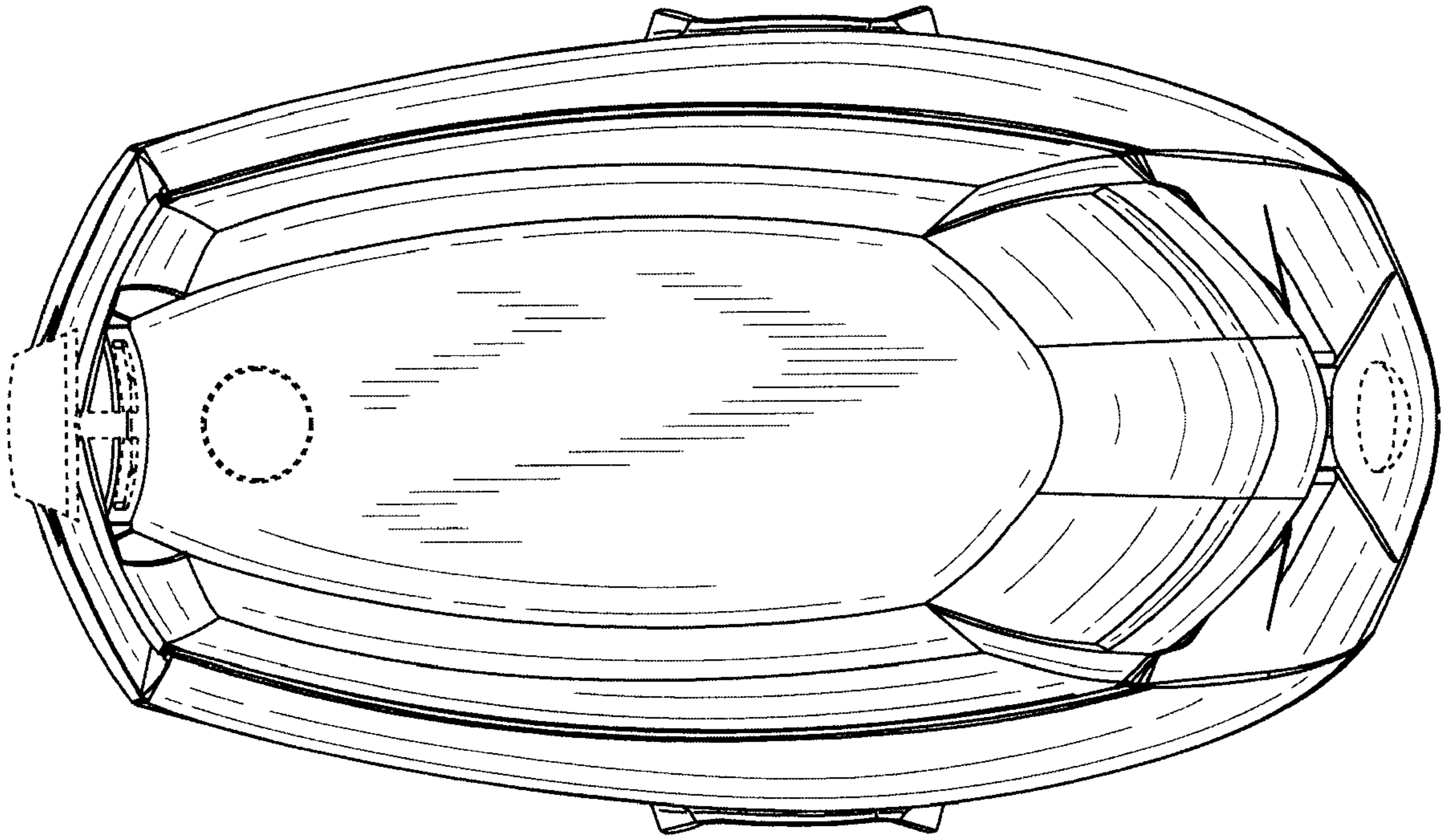


FIG. 6