

US00D528121S

(12) **United States Design Patent**
Hu et al.

(10) **Patent No.:** **US D528,121 S**

(45) **Date of Patent:** **** Sep. 12, 2006**

(54) **FRONT BEZEL FOR COMPUTER ENCLOSURE**

(75) Inventors: **Yi Hu**, Shenzhen (CN); **Yun-Dong Xu**, Shenzhen (CN); **Xiao-Hong Cui**, Shenzhen (CN)

(73) Assignee: **Hon Hai Precision Industry Co., LTD**, Taipei Hsien (TW)

(**) Term: **14 Years**

(21) Appl. No.: **29/239,112**

(22) Filed: **Sep. 26, 2005**

(30) **Foreign Application Priority Data**

Jun. 10, 2005 (CN) 2005 3 0061448

(51) **LOC (8) Cl.** **14-02**

(52) **U.S. Cl.** **D14/441**

(58) **Field of Classification Search** D14/441-446,
D14/308; D13/162, 184, 199; 312/223.2;
360/99.01-99.12; 361/680-686, 690-696;
369/34.01, 36.01, 14

See application file for complete search history.

(56) **References Cited**

U.S. PATENT DOCUMENTS

4,839,875 A * 6/1989 Kuriyama et al. 369/14

D314,189 S * 1/1991 Horie D14/308
D429,248 S * 8/2000 Koken et al. D14/441
D476,992 S * 7/2003 Chien et al. D14/444
D500,501 S * 1/2005 Davis D14/441

* cited by examiner

Primary Examiner—Freda S. Nunn

(74) *Attorney, Agent, or Firm*—Jeffrey T. Knapp

(57) **CLAIM**

The ornamental design for a front bezel for computer enclosure, as shown and described.

DESCRIPTION

FIG. 1 is a perspective view of a front bezel being mounted to a computer enclosure showing our new design;

FIG. 2 is a front elevational view thereof;

FIG. 3 is a left side elevational view thereof;

FIG. 4 is a right side elevational view thereof;

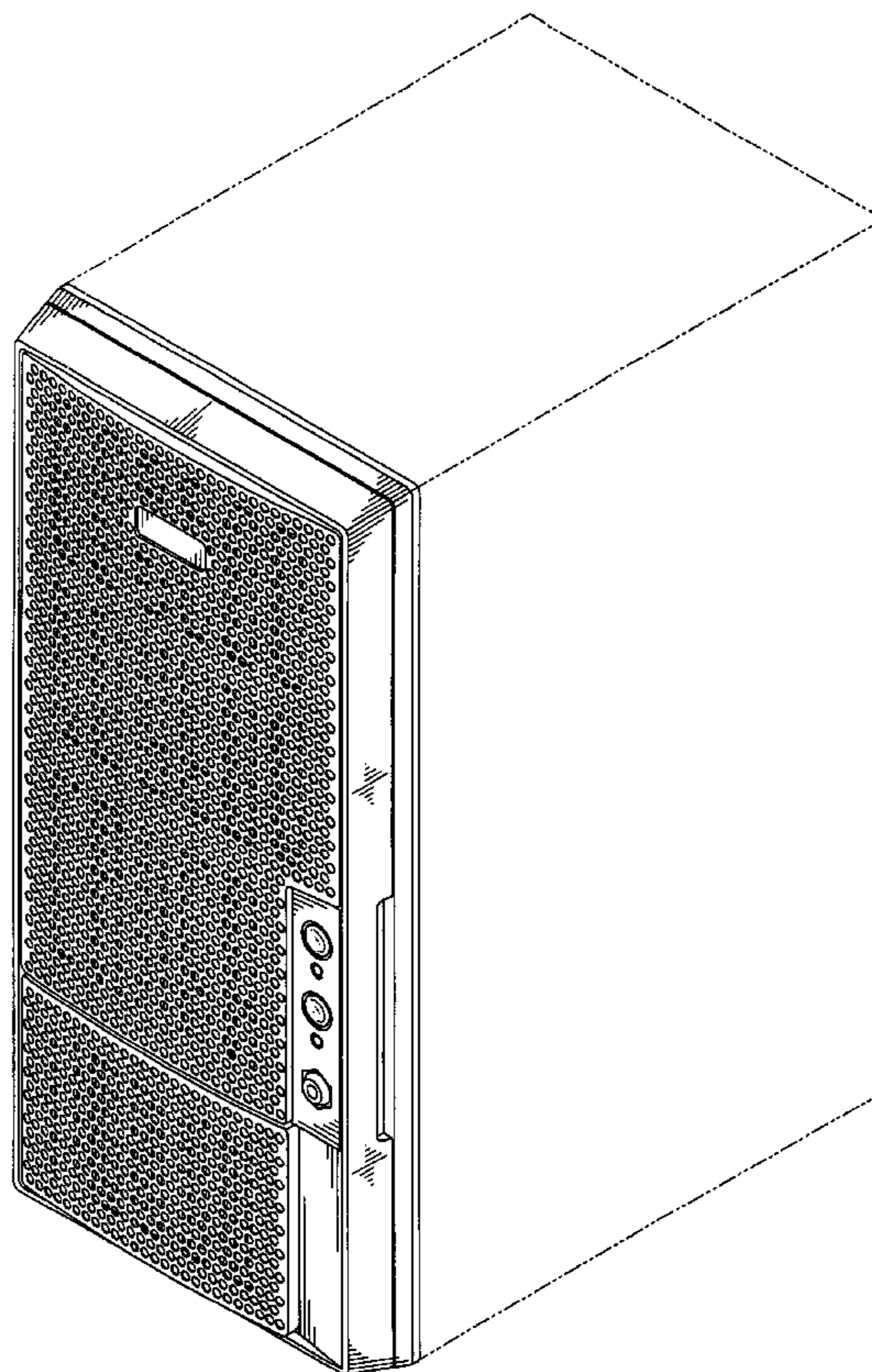
FIG. 5 is a top plan view thereof;

FIG. 6 is a bottom plan view thereof; and,

FIG. 7 is a perspective view thereof in the open position for explanatory purpose only and in a reduced scale.

Broken lines are for illustrative purposes only and form no part of the claimed design.

1 Claim, 7 Drawing Sheets



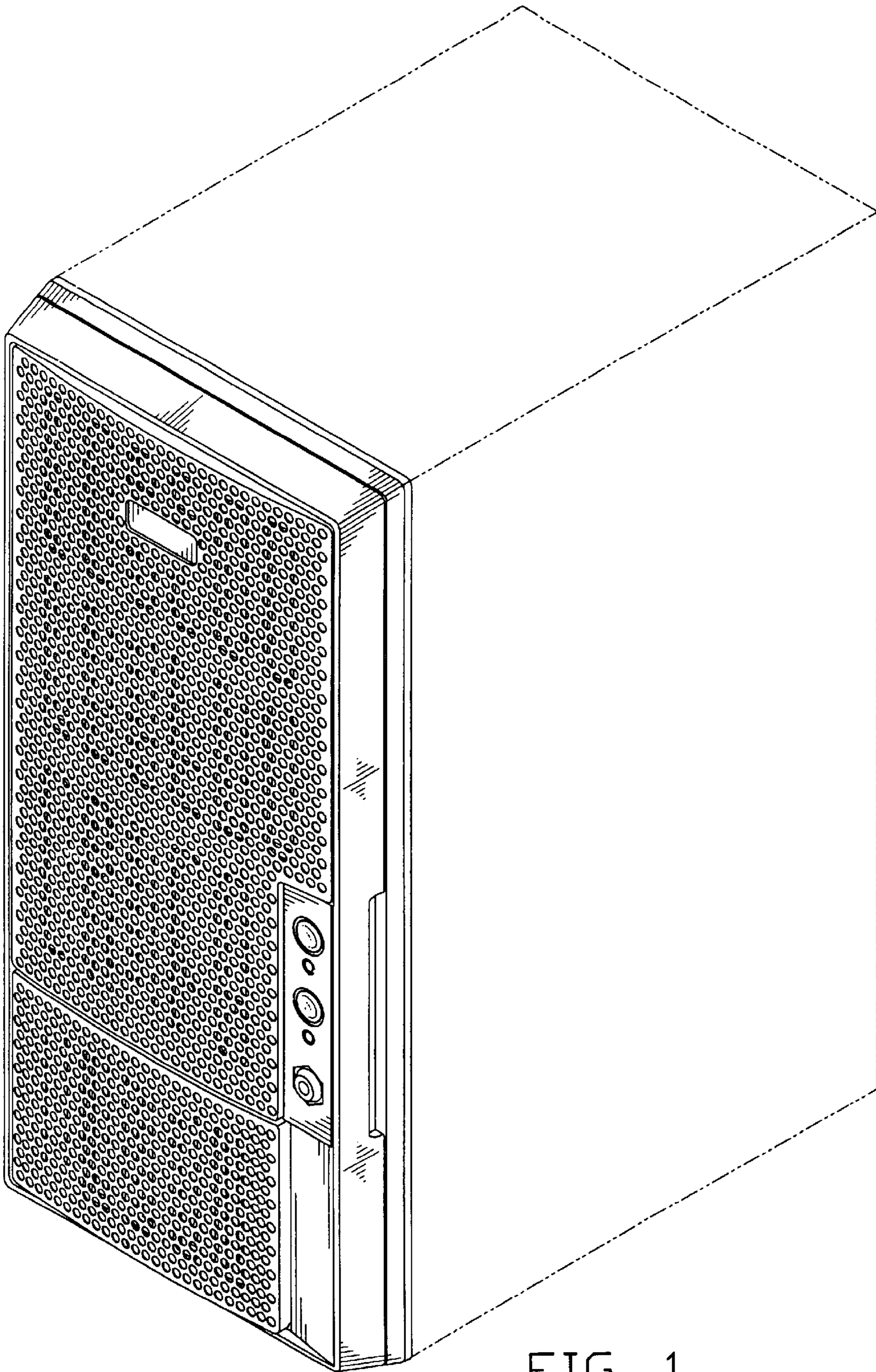


FIG. 1

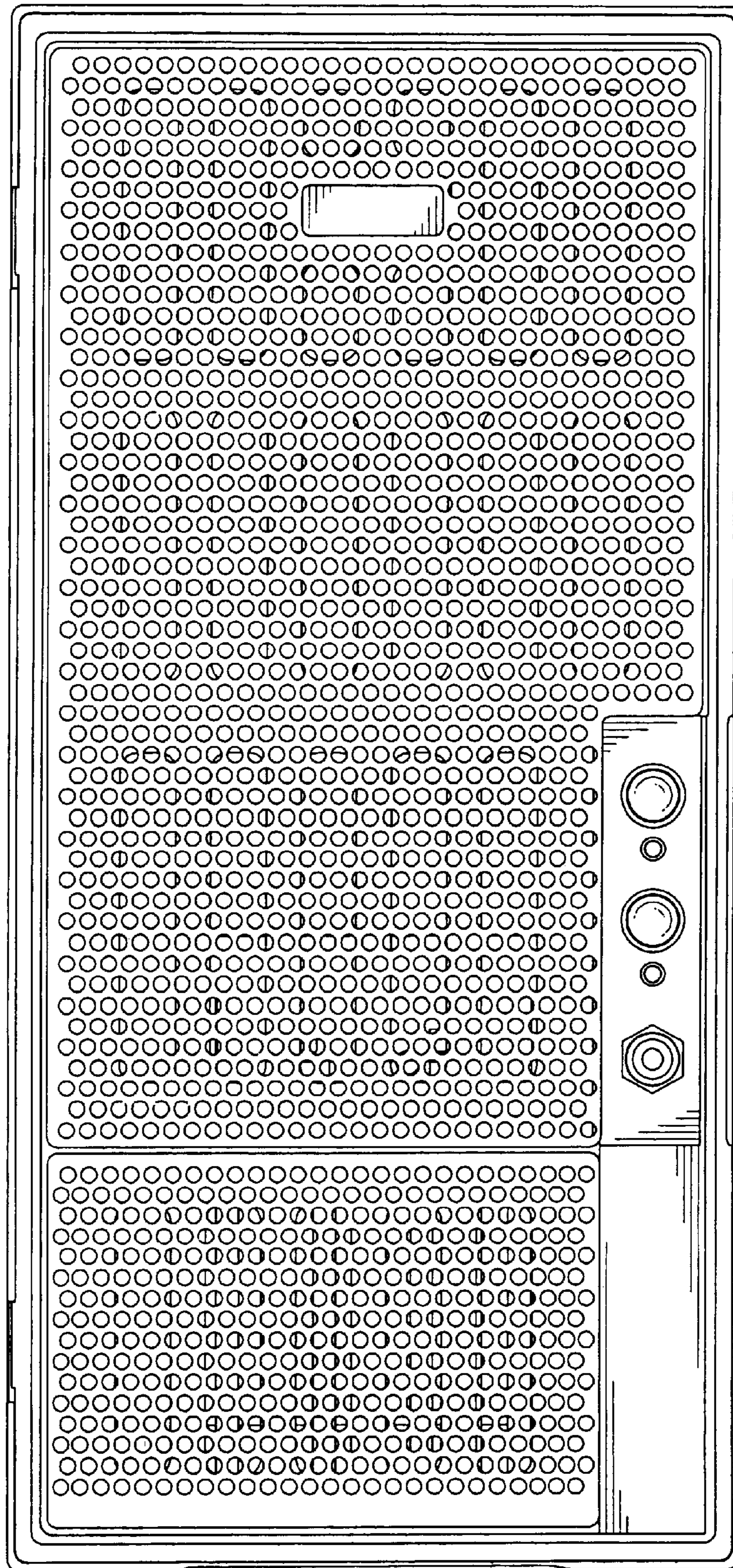


FIG. 2

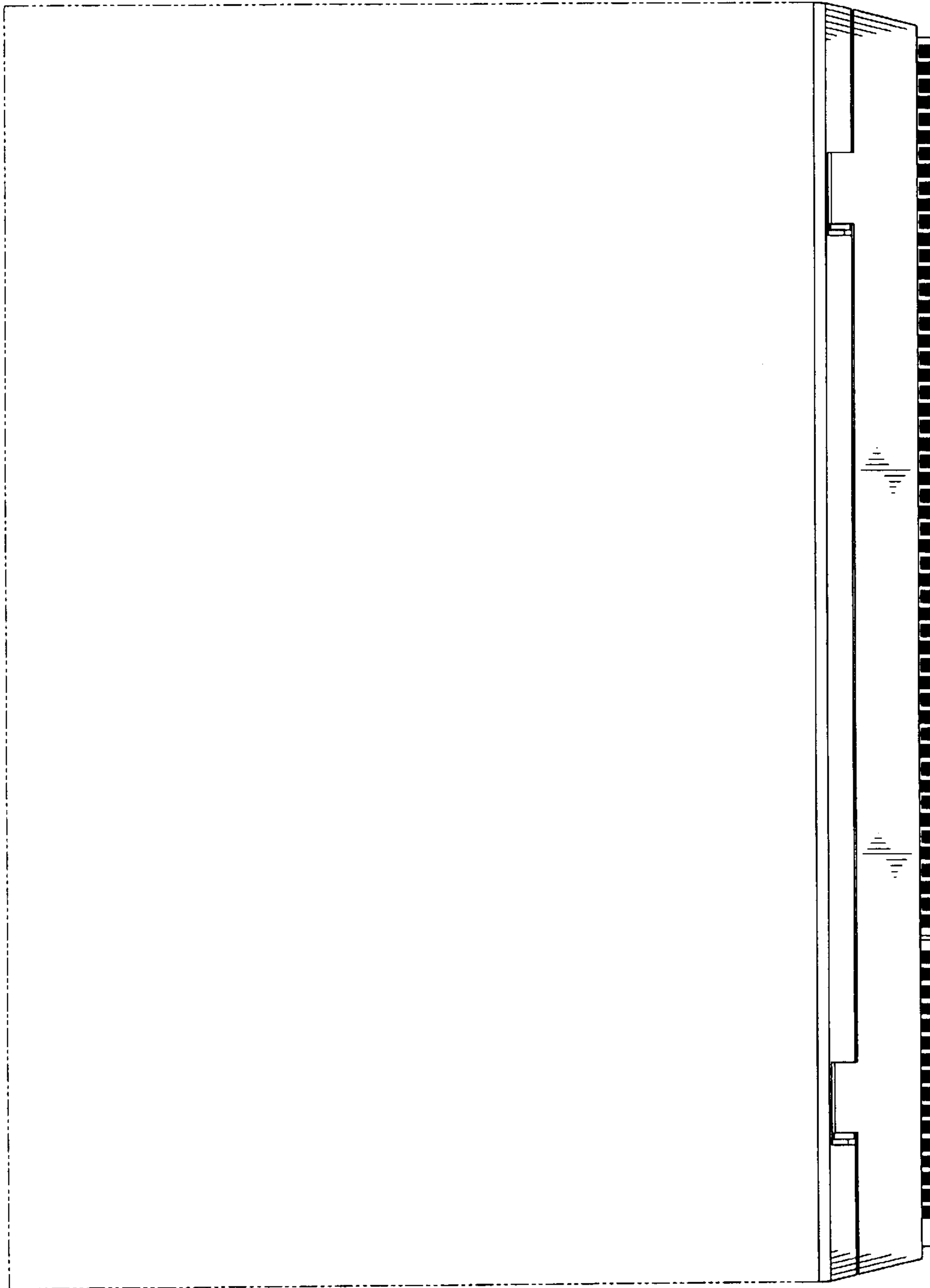


FIG. 3

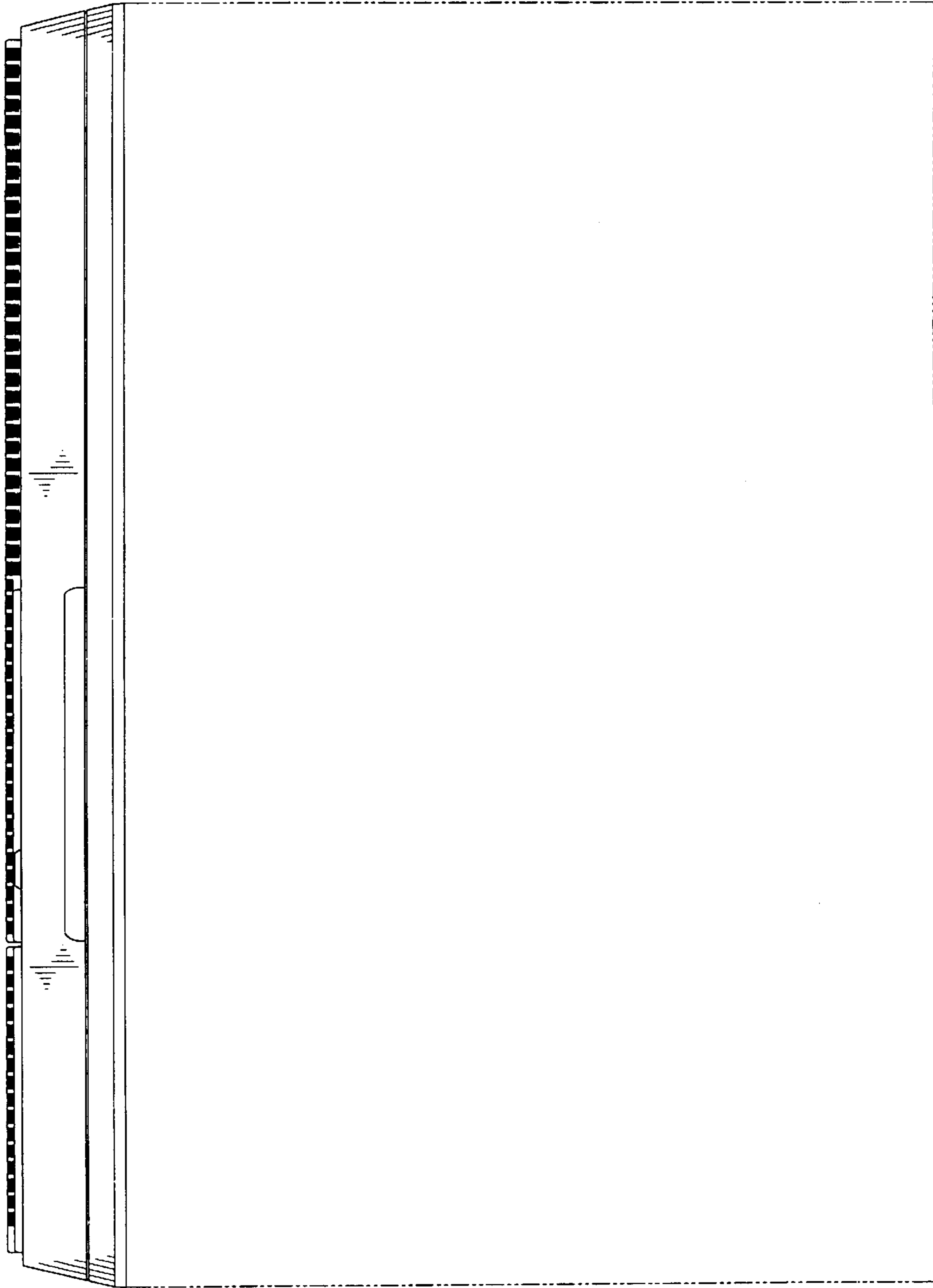


FIG. 4

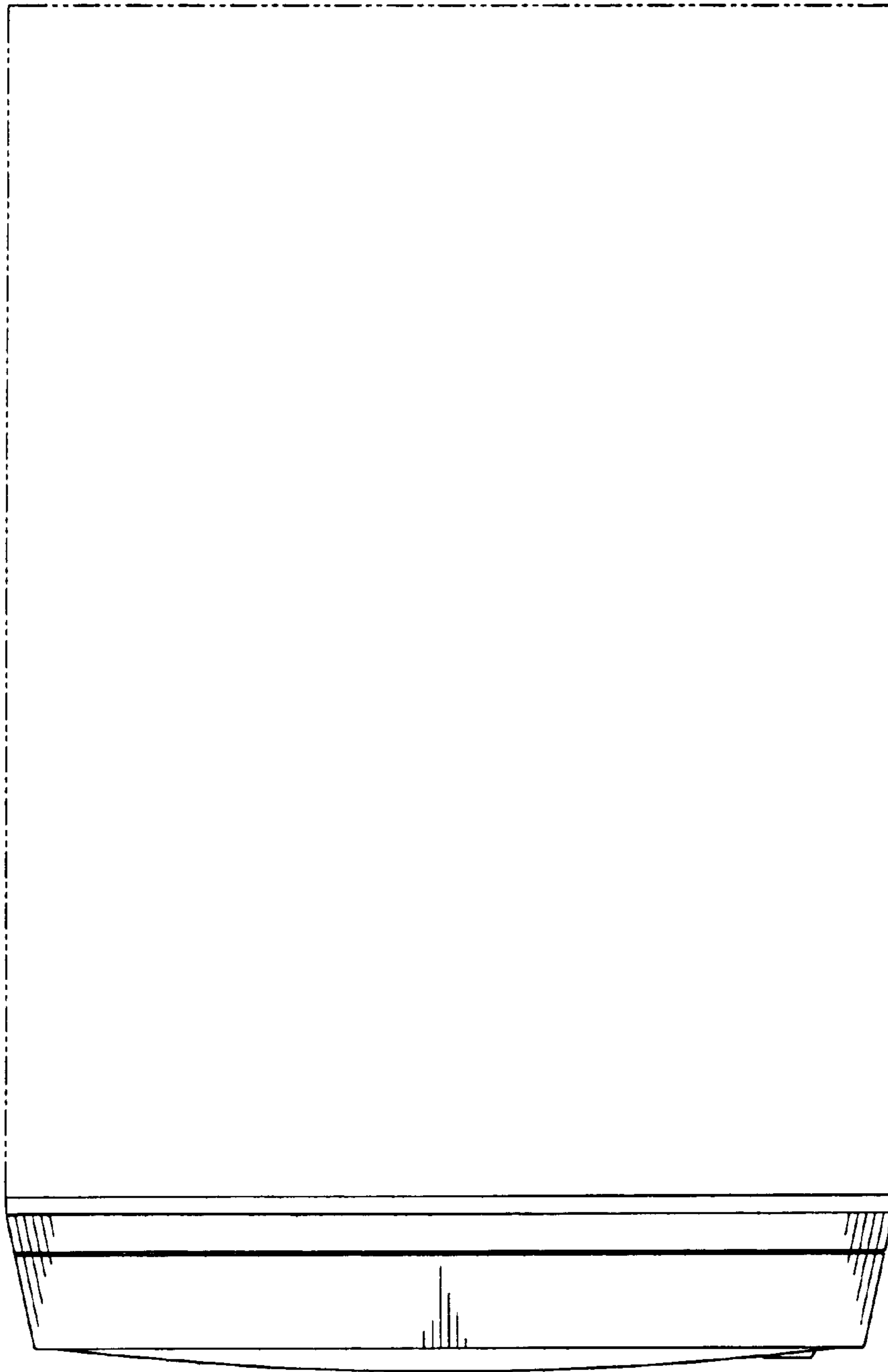


FIG. 5

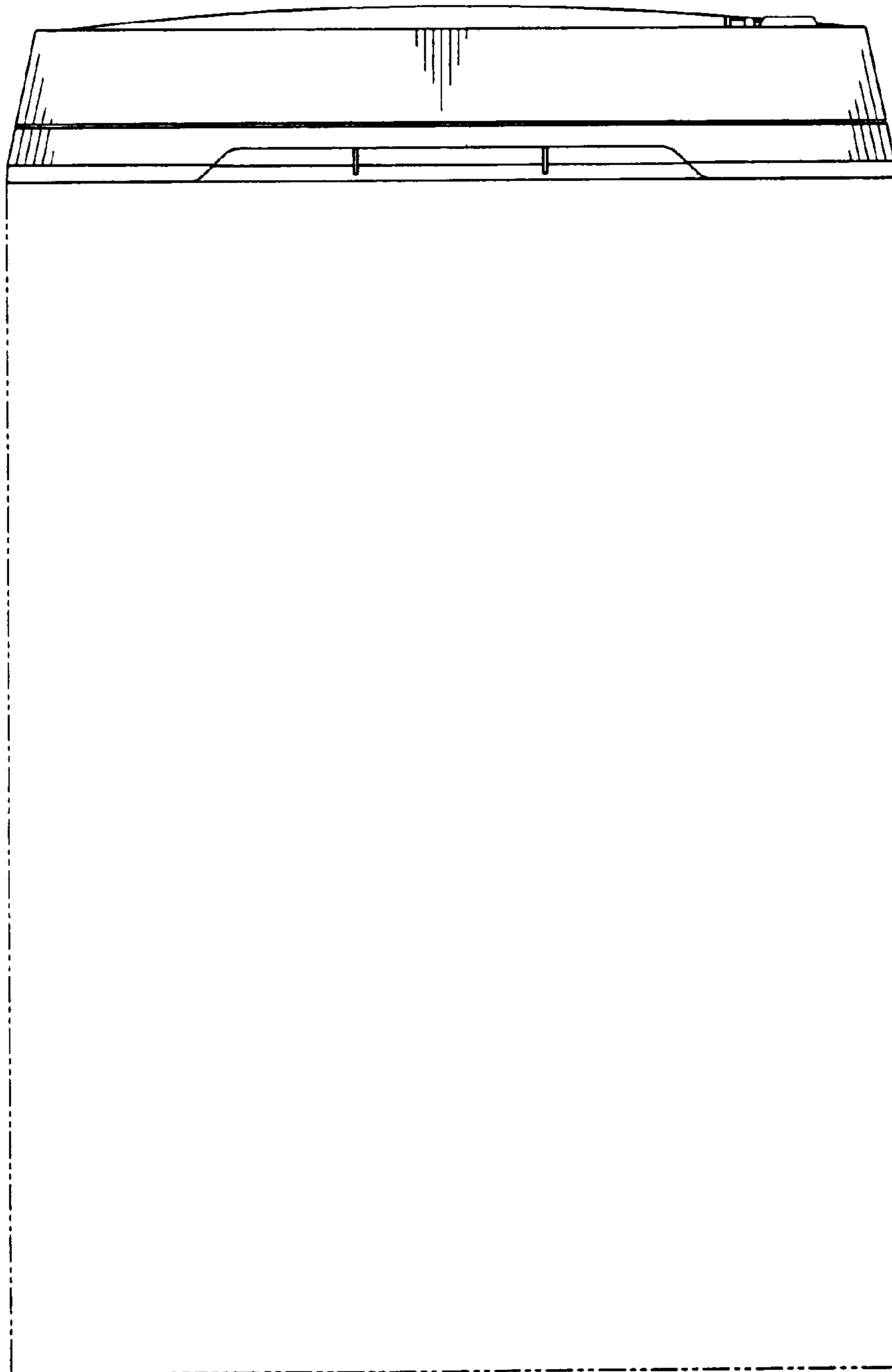


FIG. 6

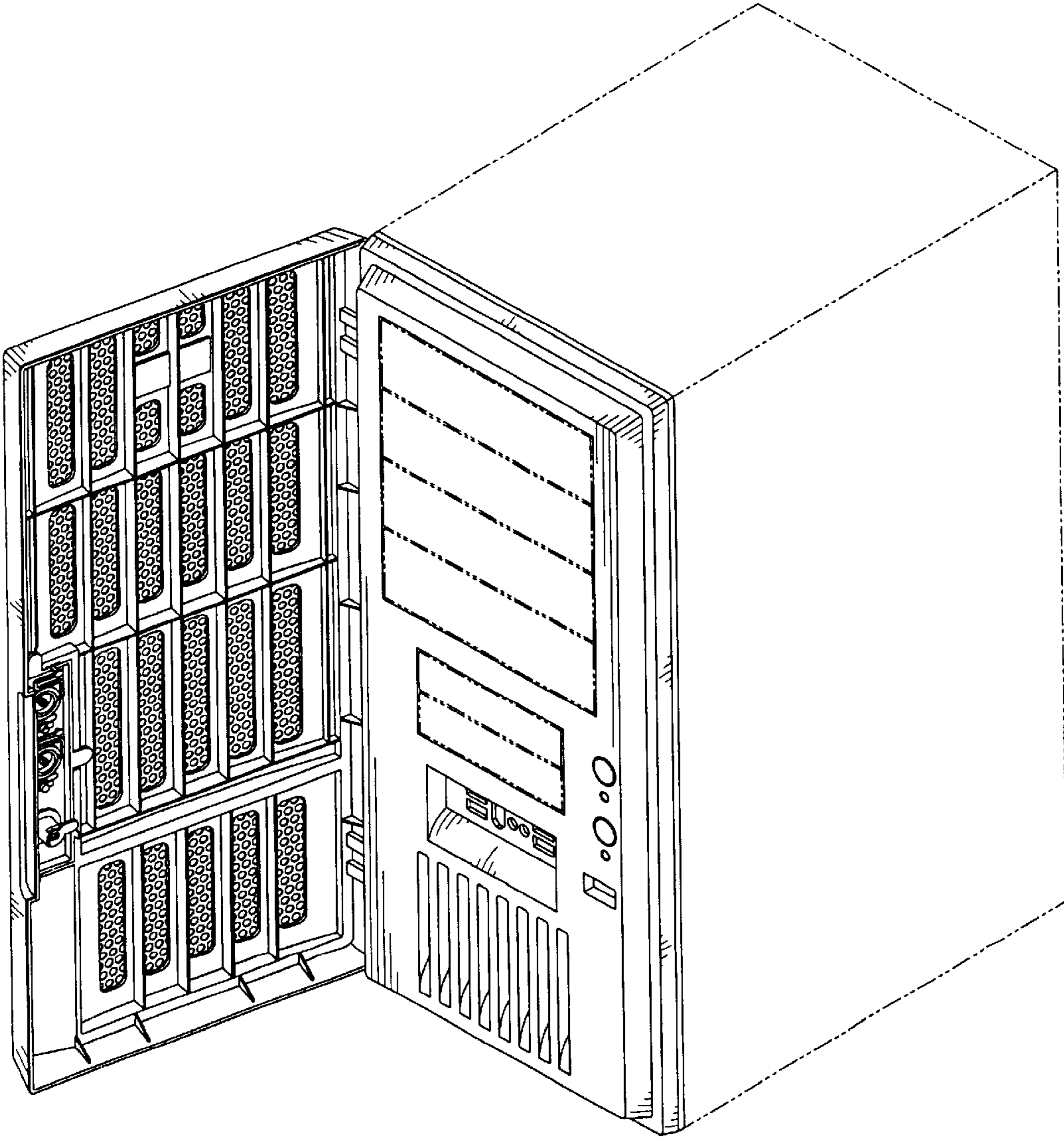


FIG. 7