



US00D528120S

(12) **United States Design Patent**
Man-tat

(10) **Patent No.:** **US D528,120 S**

(45) **Date of Patent:** **** Sep. 12, 2006**

(54) **CARTRIDGE FOR TELEVISION RECEIVER**

(75) Inventor: **Lee Man-tat**, Shiga (JP)

(73) Assignee: **SSD Company Limited**, Shiga (JP)

(**) Term: **14 Years**

(21) Appl. No.: **29/245,121**

(22) Filed: **Dec. 19, 2005**

Related U.S. Application Data

(62) Division of application No. 29/208,972, filed on Jul. 8, 2004.

(30) **Foreign Application Priority Data**

Jan. 8, 2004 (JP) 2004-000261
Jan. 8, 2004 (JP) 2004-000244

(51) **LOC (8) Cl.** **14-02**

(52) **U.S. Cl.** **D14/435; D21/332**

(58) **Field of Classification Search** D21/332,
D21/333, 324; D14/474-482, 435; 463/43-46;
242/348-348.2; 360/132-136; 369/275.1-275.5,
369/280-292; 206/307, 308.1, 308.2, 308.3
See application file for complete search history.

(56) **References Cited**

U.S. PATENT DOCUMENTS

5,362,068 A * 11/1994 Liu 463/44
D365,556 S * 12/1995 Inoue et al. D14/435
D366,285 S * 1/1996 Tada D21/332
5,653,638 A * 8/1997 Nagata 463/44
5,809,520 A * 9/1998 Edwards et al. 711/115
D407,084 S * 3/1999 Waaler et al. D14/475

D412,187 S 7/1999 Kitamori
D428,013 S * 7/2000 Fairchild et al. D14/435
6,383,079 B1 * 5/2002 Takeda et al. 463/43
D458,643 S 6/2002 Ashida
6,497,618 B1 * 12/2002 Nishiumi et al. 463/36
D470,498 S * 2/2003 Argumedo et al. D14/435
6,595,860 B1 * 7/2003 Yamamoto et al. 463/43
D491,564 S * 6/2004 Chaney et al. D14/435
6,743,104 B1 * 6/2004 Ota et al. 463/44

* cited by examiner

Primary Examiner—Prabhakar Deshmukh

(74) *Attorney, Agent, or Firm*—Harness, Dickey & Pierce, PLC

(57) **CLAIM**

The ornamental design for a cartridge for television receiver, as shown and described.

DESCRIPTION

FIG. 1 is a perspective view of the front, top and left side of a cartridge for television receiver showing my new design; FIG. 2 is a perspective view of the rear, top and right side thereof;

FIG. 3 is a front view thereof;

FIG. 4 is a rear view thereof;

FIG. 5 is a left side view thereof;

FIG. 6 is a right side view thereof;

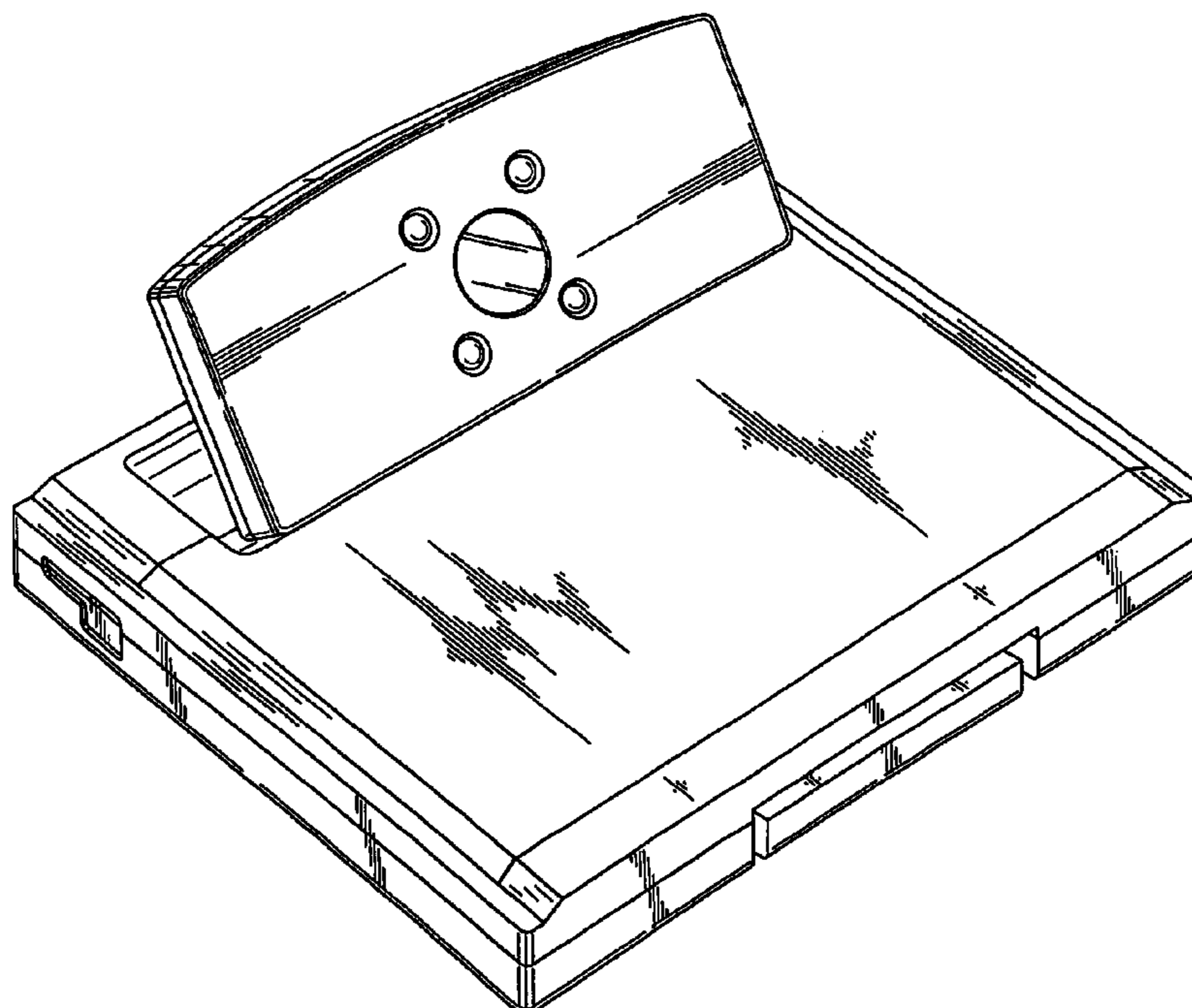
FIG. 7 is a top plan view thereof;

FIG. 8 is a bottom view thereof; and,

FIG. 9 is a perspective view thereof, showing the cartridge for television receiver in its environmental use.

The elements shown in broken lines are for illustrative purposes only and form no part of the claimed design.

1 Claim, 7 Drawing Sheets



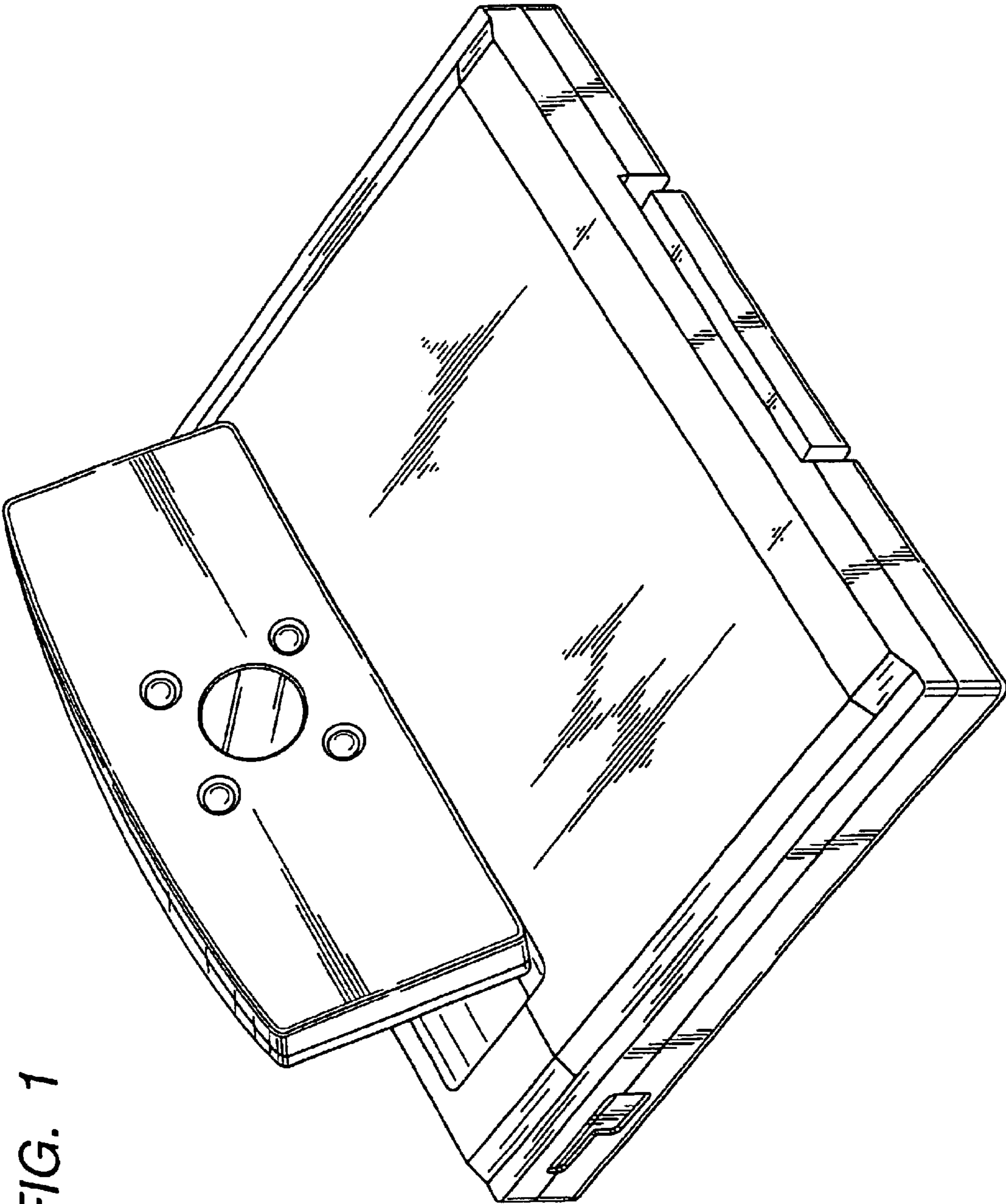


FIG. 1

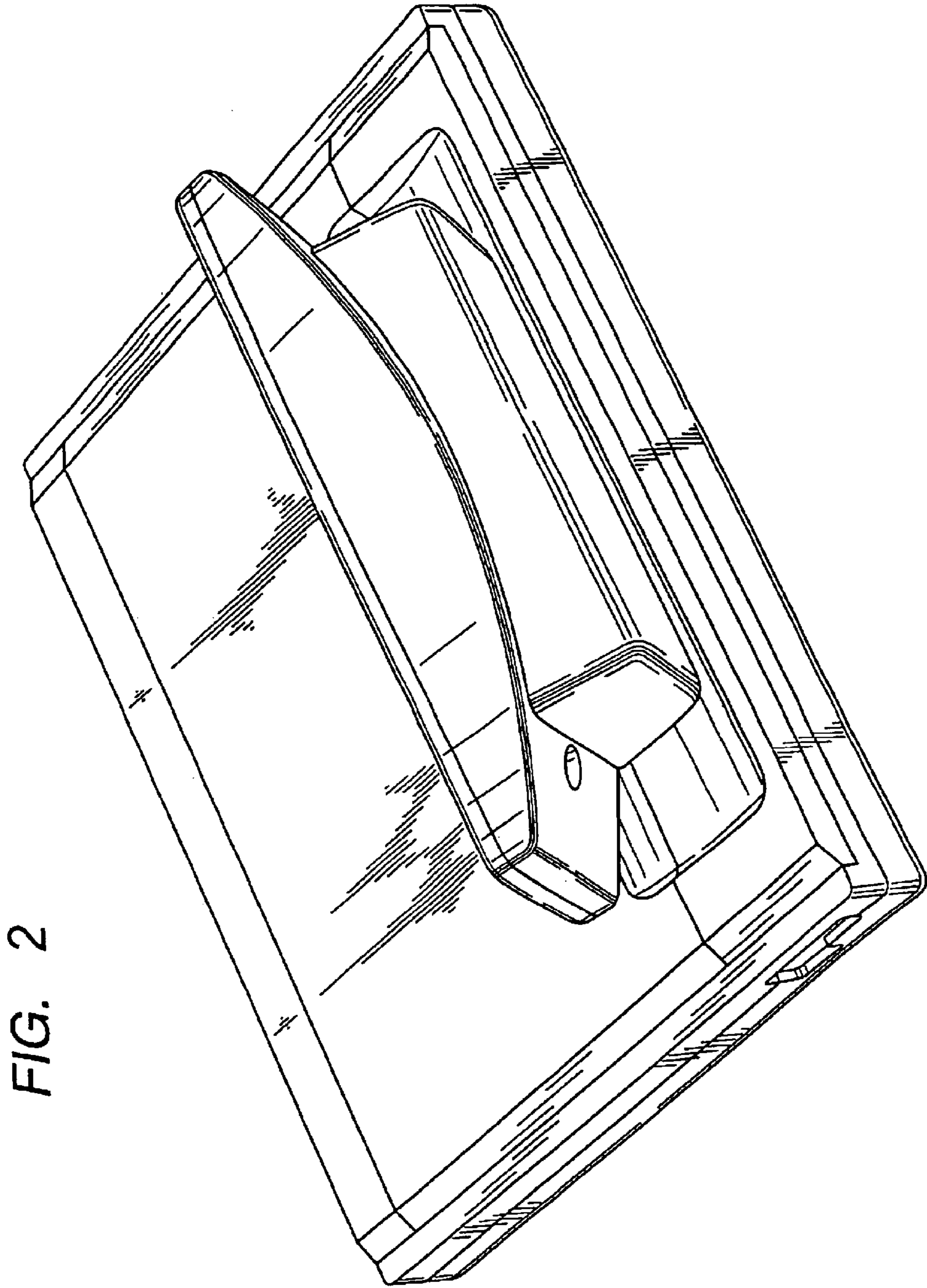


FIG. 2

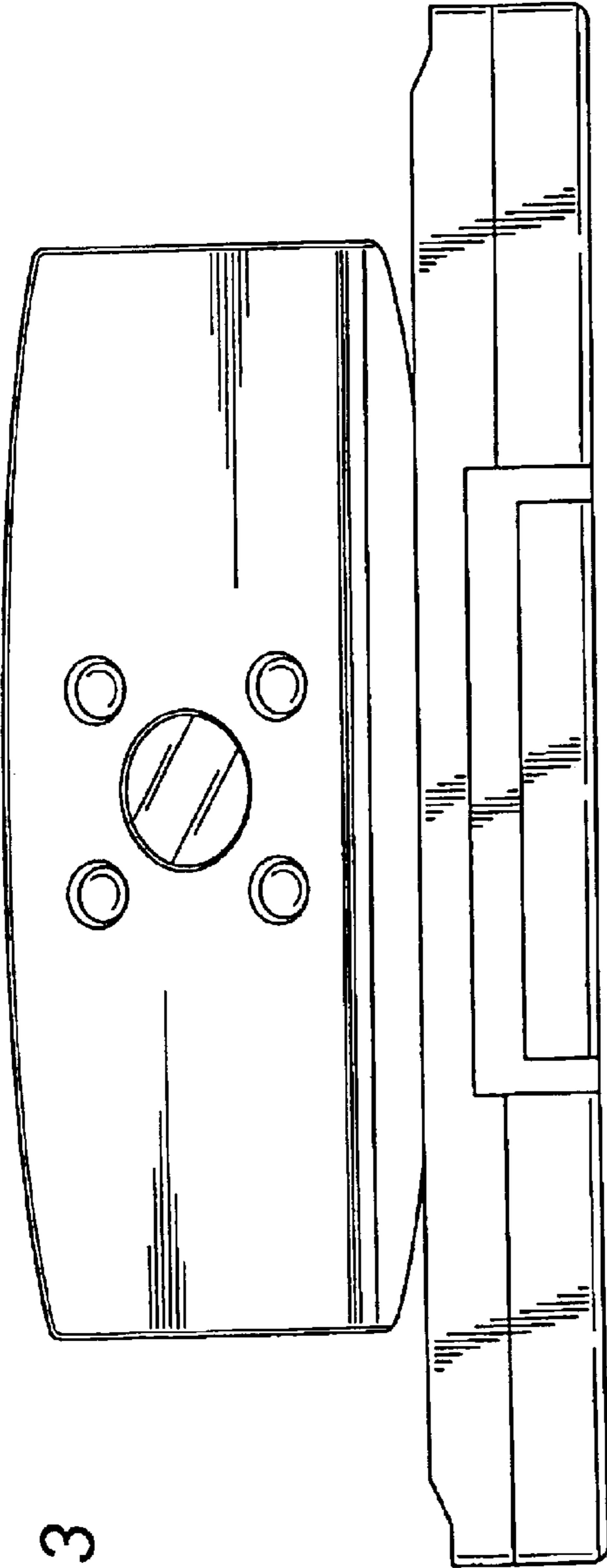


FIG. 3

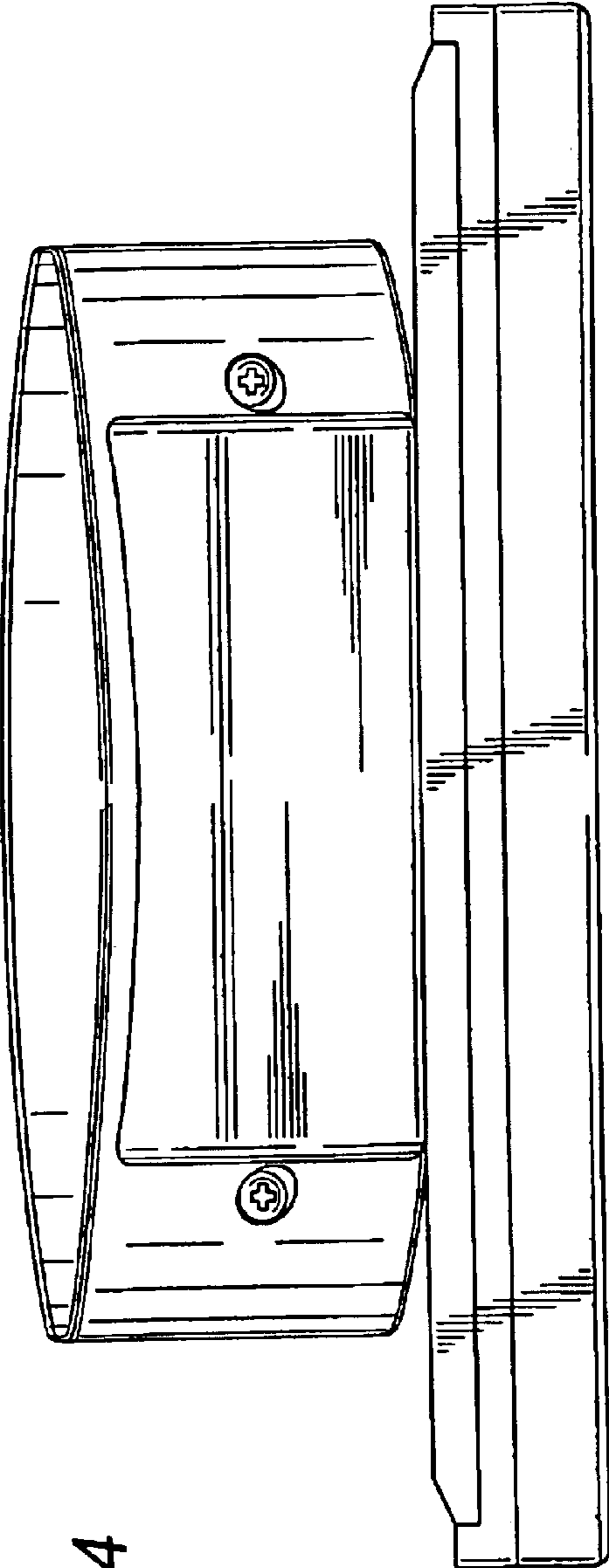


FIG. 4

FIG. 5

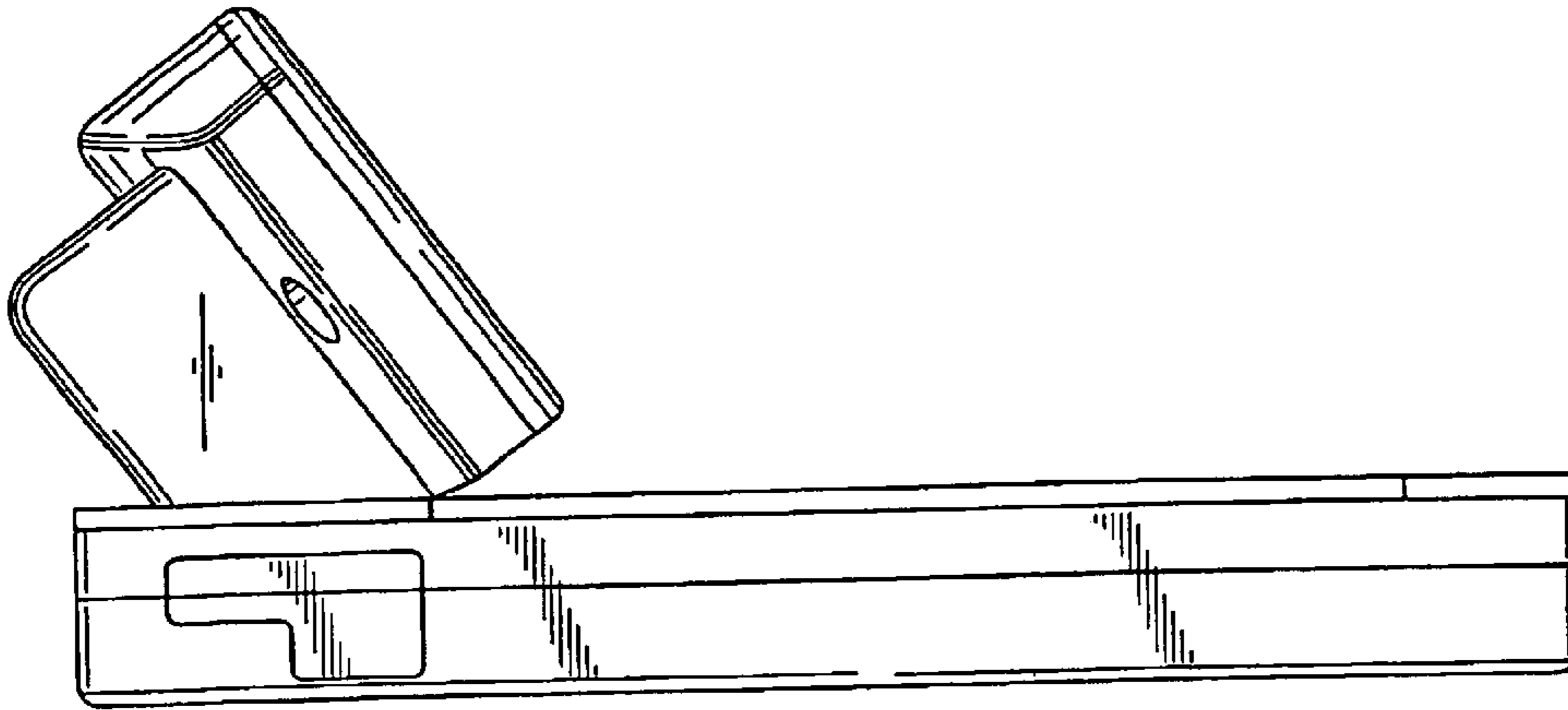


FIG. 6

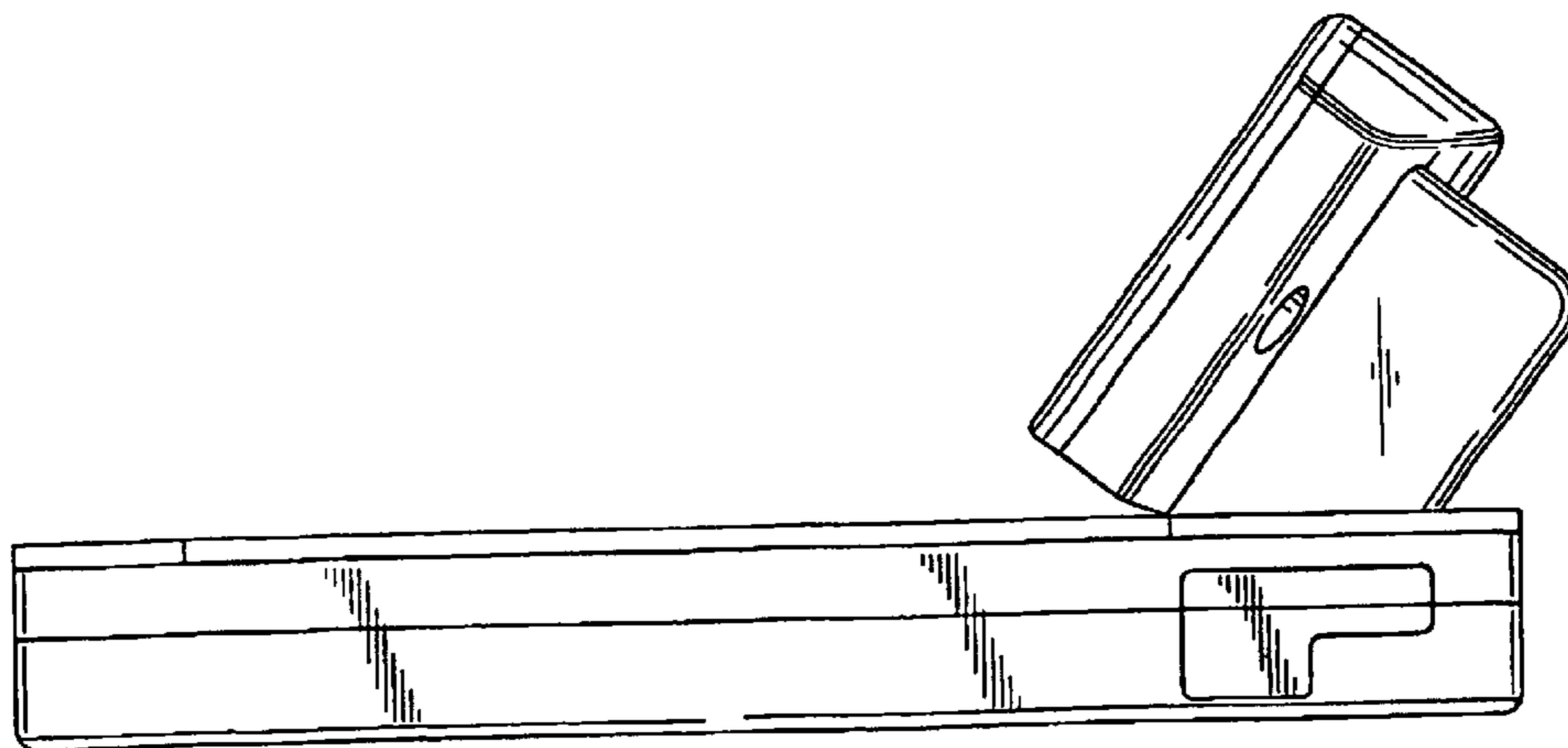


FIG. 7

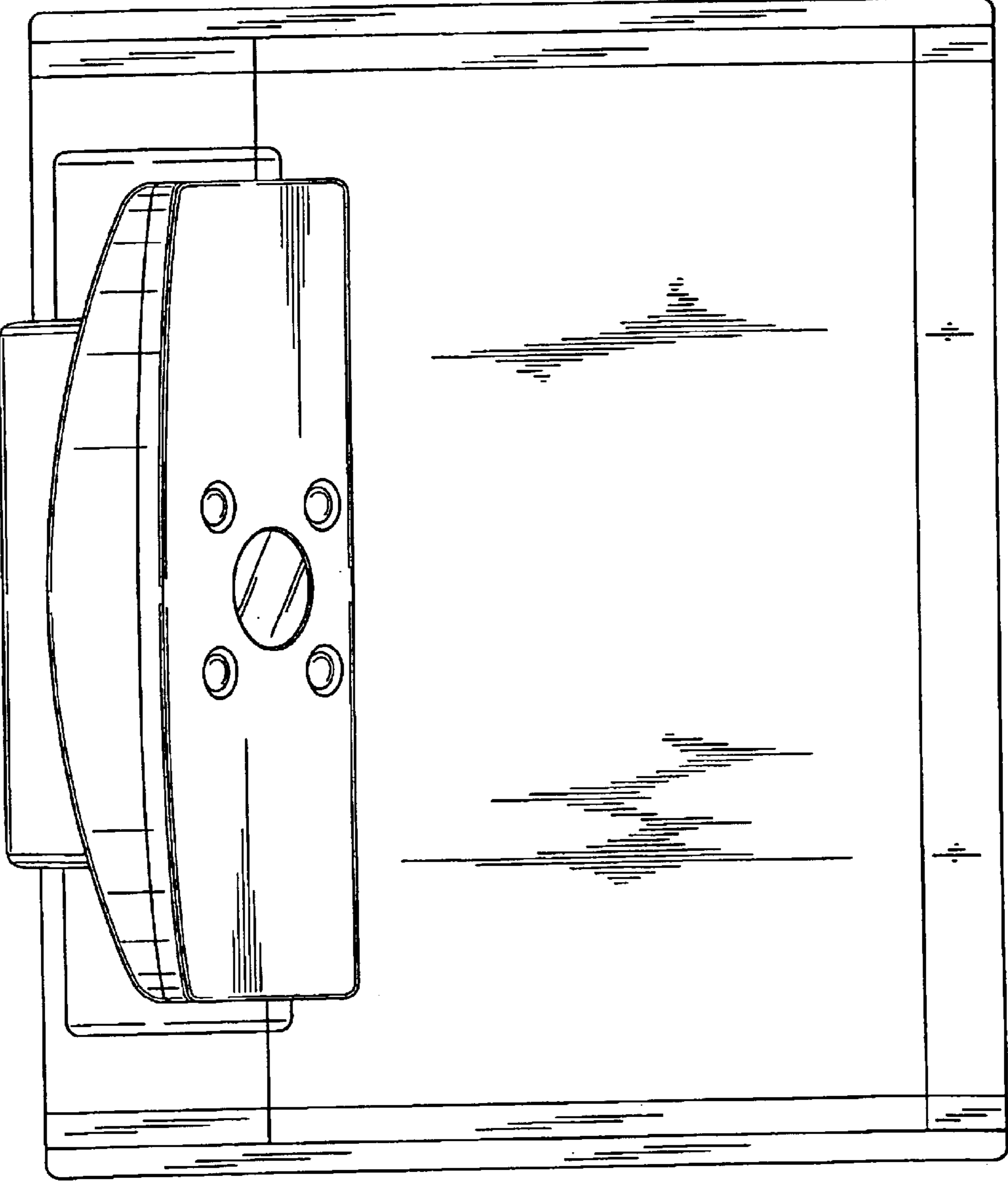
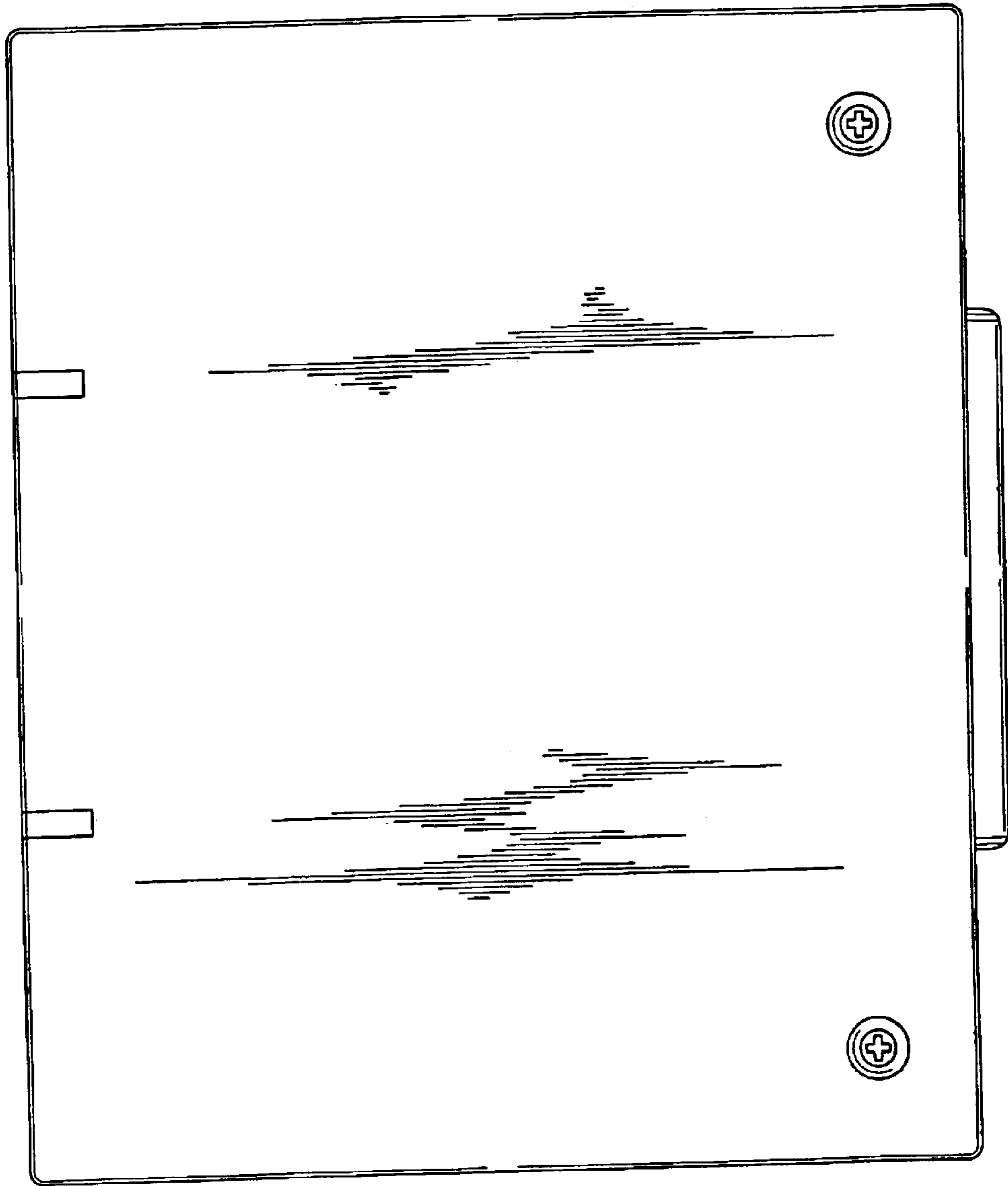


FIG. 8



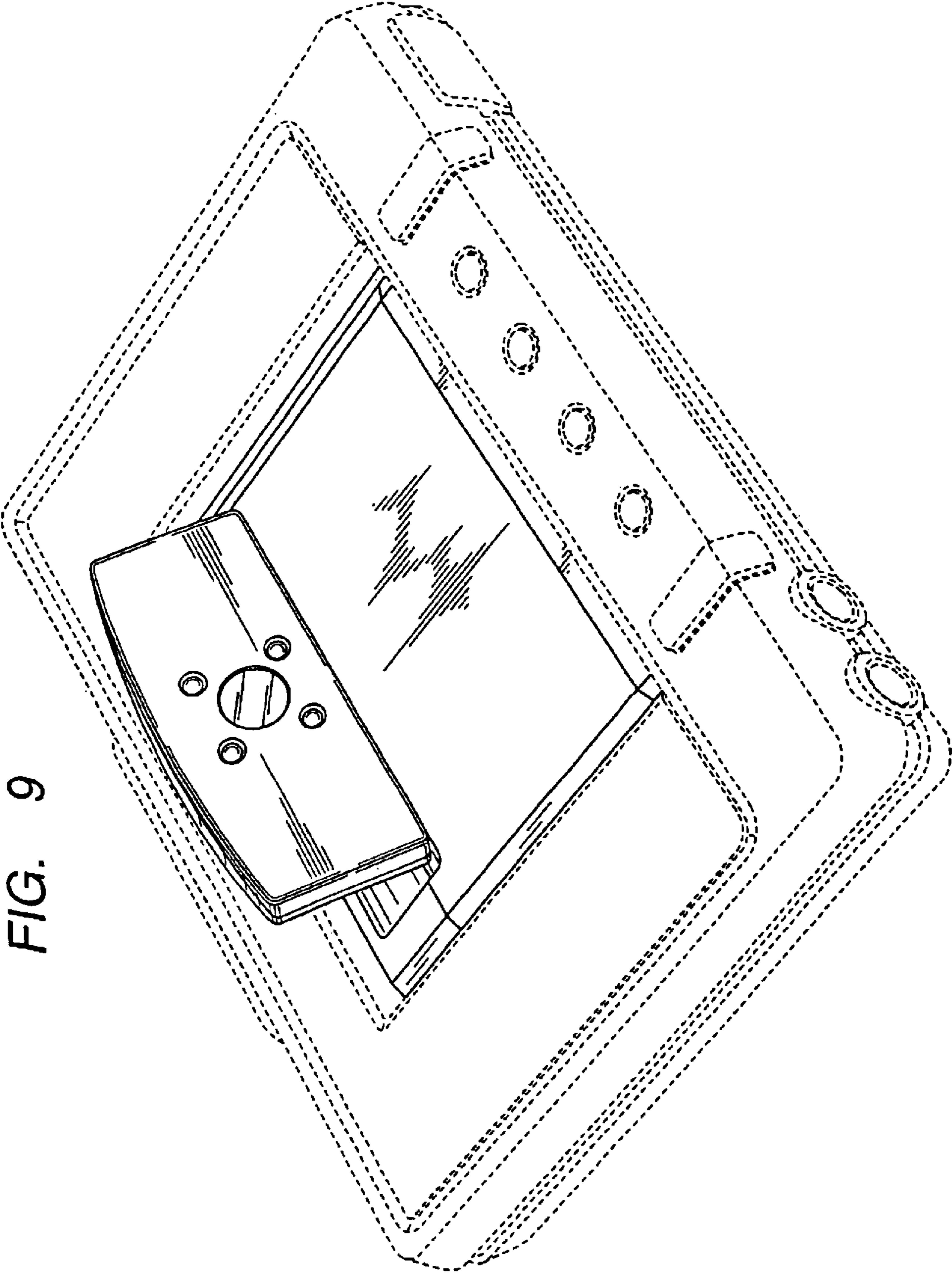


FIG. 9