



US00D528112S

(12) **United States Design Patent**
Park et al.

(10) **Patent No.:** **US D528,112 S**

(45) **Date of Patent:** **** Sep. 12, 2006**

(54) **PERSONAL COMPUTER**

(75) Inventors: **Sun Jung Park**, Seoul (KR); **Byung Mu Huh**, Seoul (KR); **Kyung Min Kim**, Seoul (KR)

(73) Assignee: **LG Electronics Inc.**, Seoul (KR)

(**) Term: **14 Years**

(21) Appl. No.: **29/232,558**

(22) Filed: **Jun. 22, 2005**

(30) **Foreign Application Priority Data**

Dec. 30, 2004 (KR) 30-2004-0040819

(51) **LOC (8) Cl.** **14-02**

(52) **U.S. Cl.** **D14/349**

(58) **Field of Classification Search** D14/308,
D14/348-356; D13/162, 184, 199; 312/223.1-223.2,
312/265.6; 360/99.01-99.12; 369/34.01,
369/36.01; 361/680-686

See application file for complete search history.

(56) **References Cited**

U.S. PATENT DOCUMENTS

5,934,774 A * 8/1999 Wu et al. 312/223.2

5,992,955 A * 11/1999 Yang 312/265.6
D428,005 S * 7/2000 Takizawa et al. D14/349
D432,125 S * 10/2000 Masuda et al. D14/349
D452,239 S * 12/2001 Kitayama et al. D14/349
D453,019 S * 1/2002 Oba D14/348
6,549,397 B1 * 4/2003 Diaz et al. 361/683
D488,806 S * 4/2004 Huang et al. D14/308

* cited by examiner

Primary Examiner—Freda S. Nunn

(74) *Attorney, Agent, or Firm*—Birch, Stewart, Kolasch & Birch, LLP

(57) **CLAIM**

The ornamental design for a personal computer, as shown.

DESCRIPTION

FIG. 1 is a front, left perspective view of the personal computer showing our new design;
FIG. 2 is a front view thereof;
FIG. 3 is a rear view thereof;
FIG. 4 is a left side view thereof;
FIG. 5 is a right side view thereof;
FIG. 6 is a top view thereof; and,
FIG. 7 is a bottom view thereof.

1 Claim, 4 Drawing Sheets

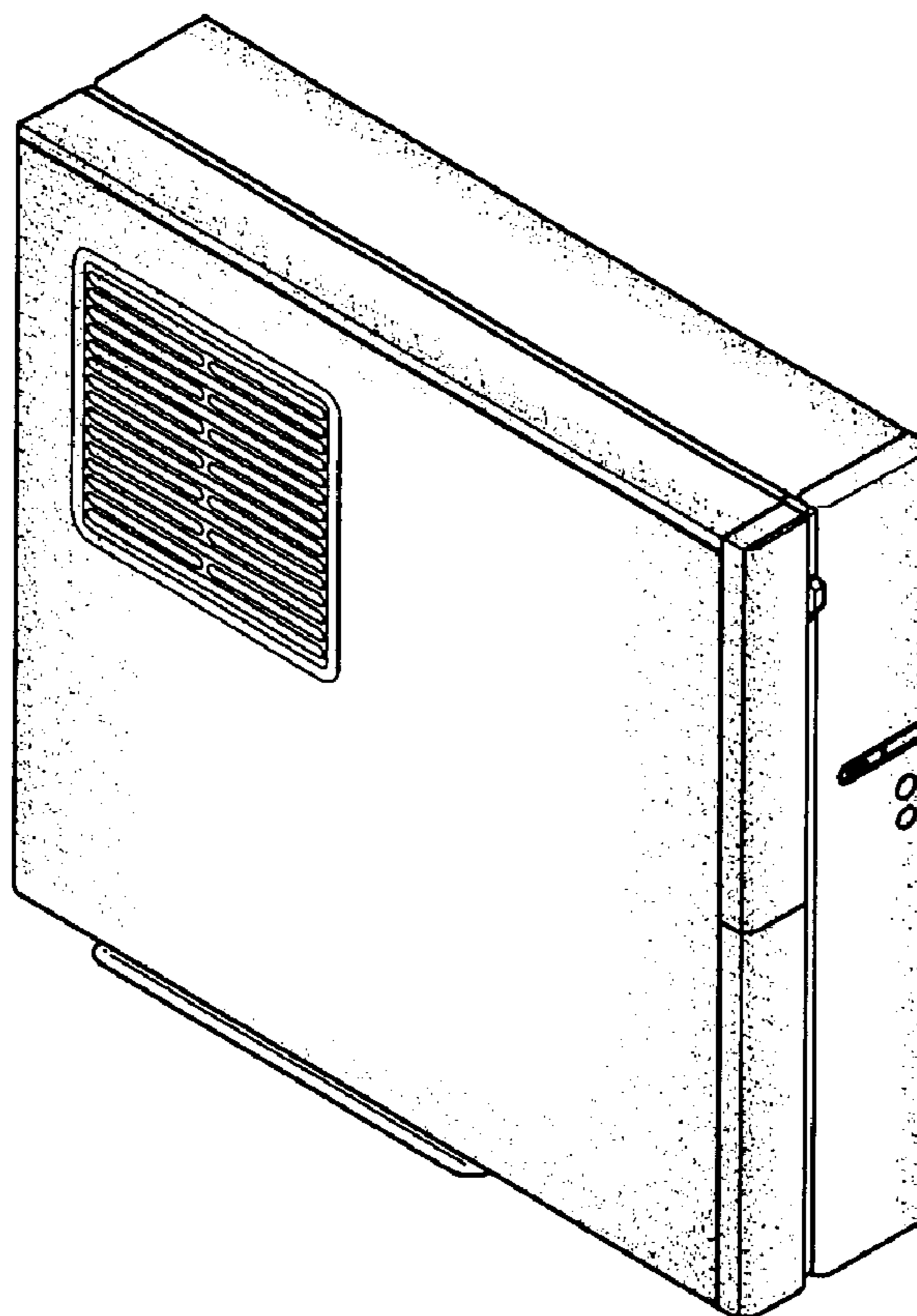


Fig. 1

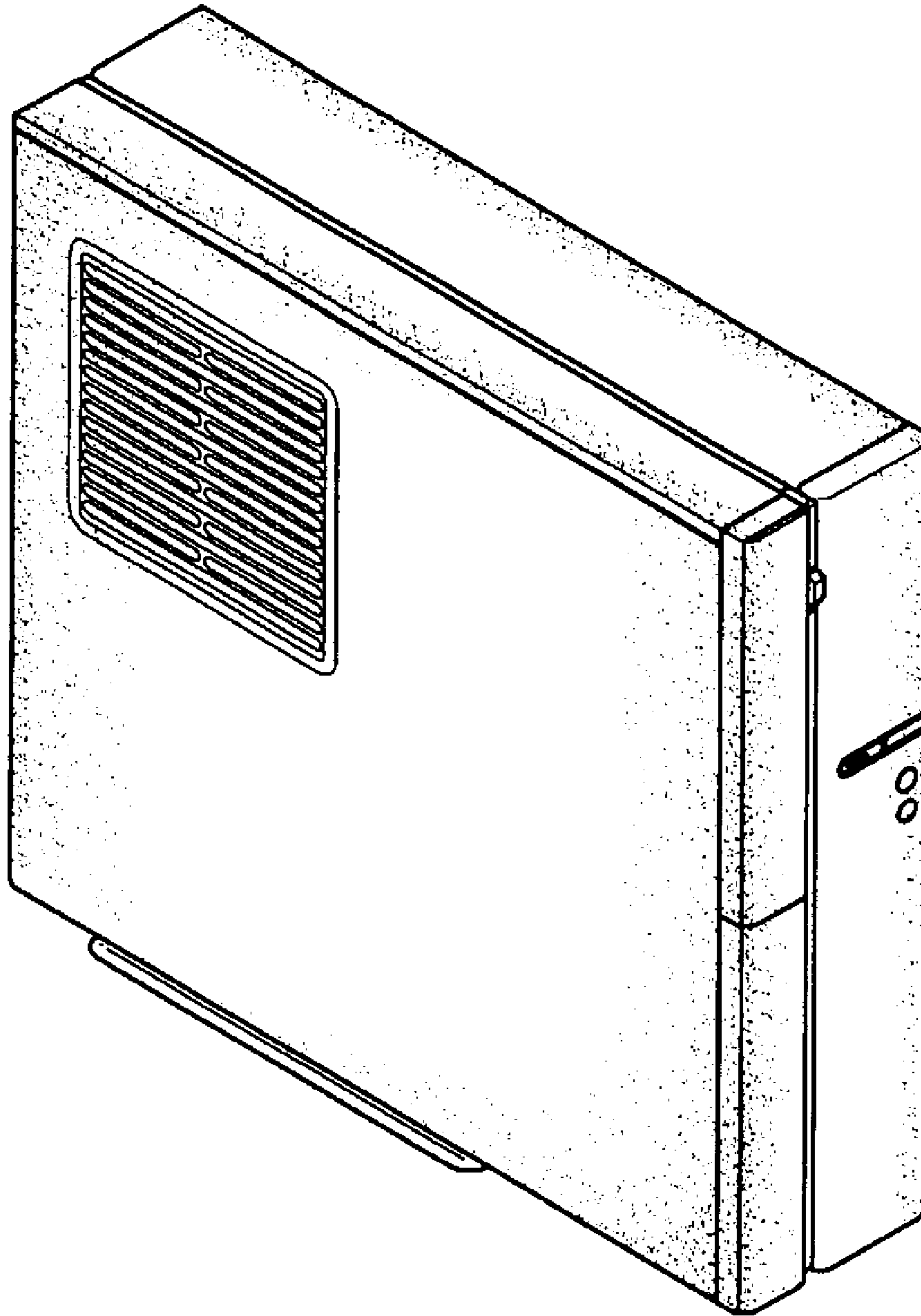


Fig. 2

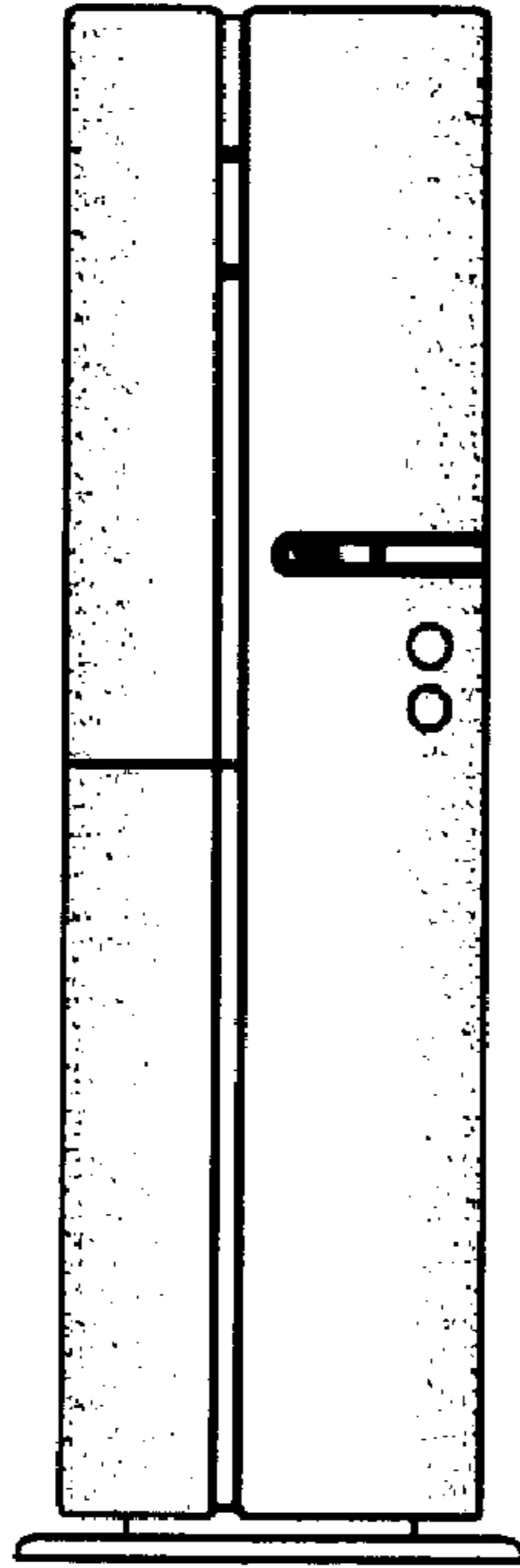


Fig. 3

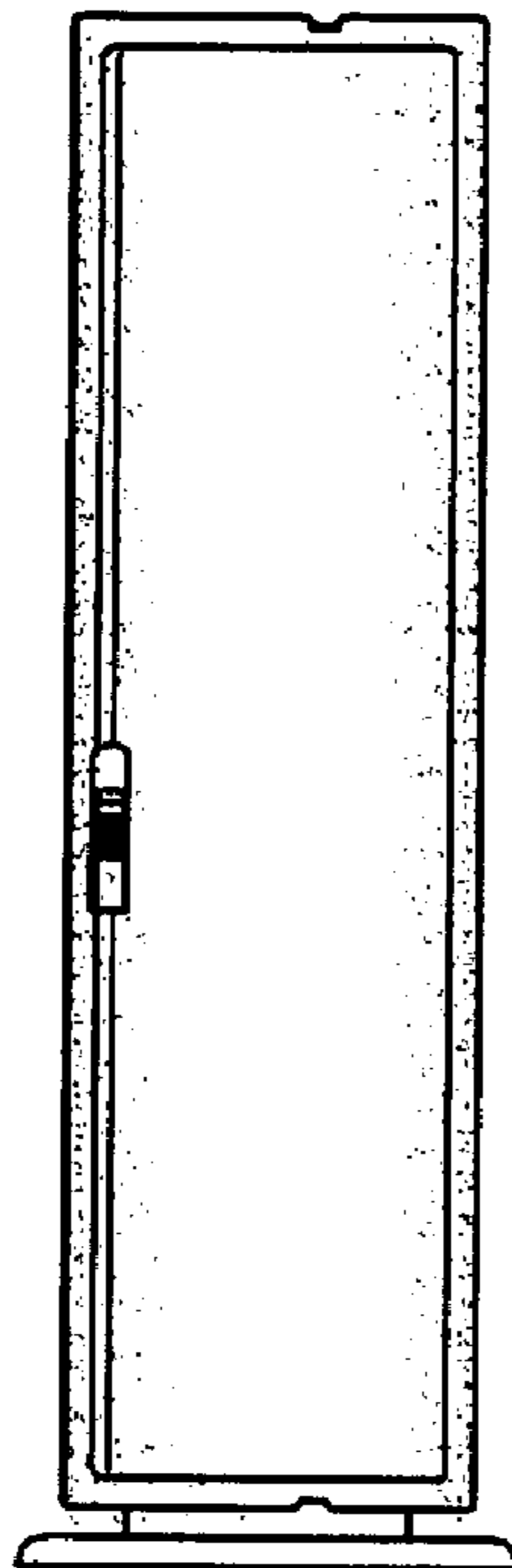


Fig. 4

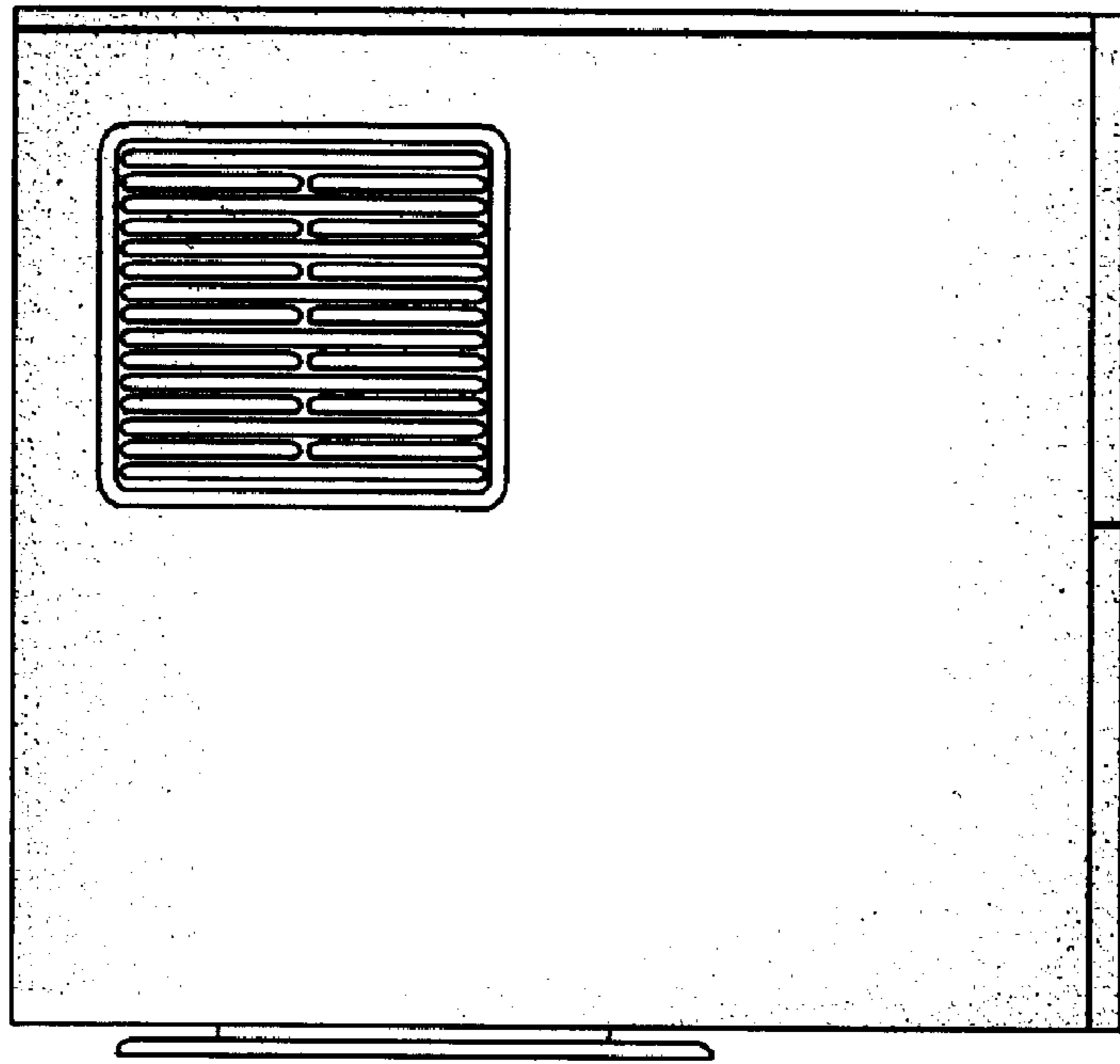


Fig. 5

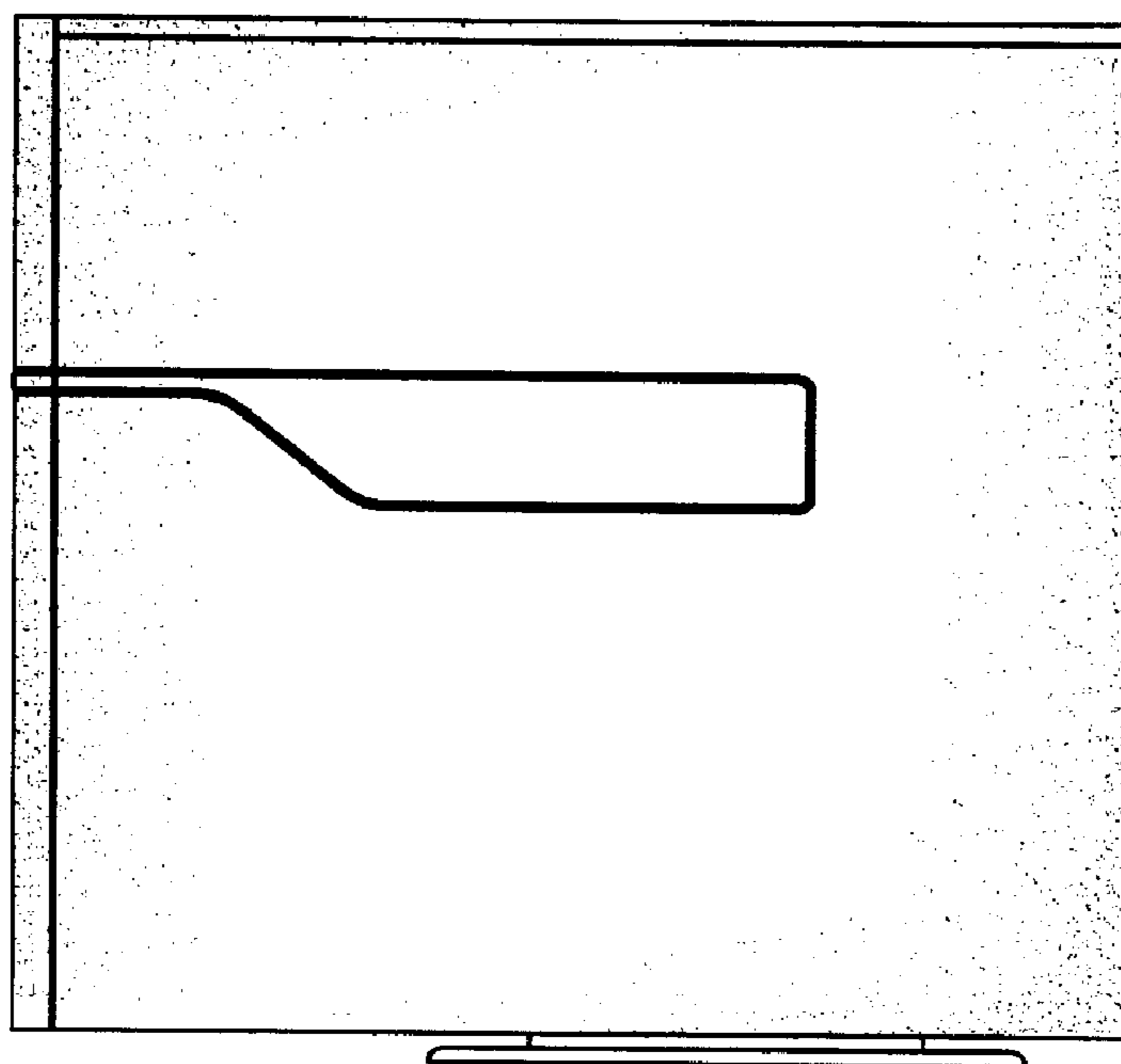


Fig. 6

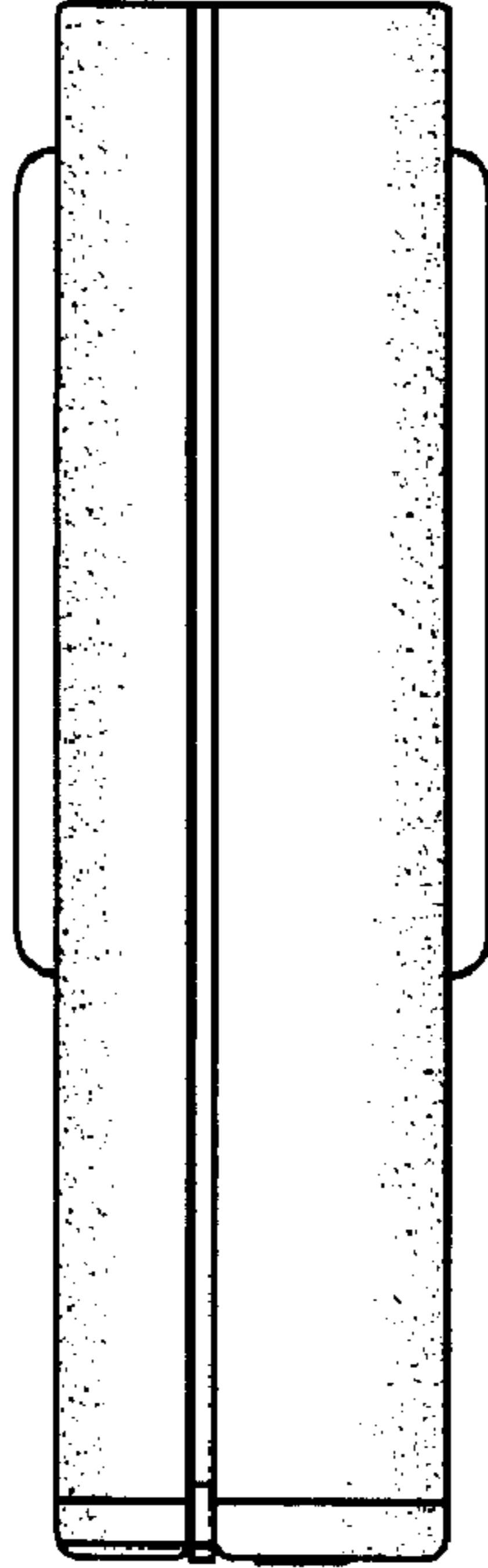


Fig. 7

