



US00D528111S

(12) **United States Design Patent** (10) **Patent No.:** **US D528,111 S**
Jackson, Jr. (45) **Date of Patent:** **** Sep. 12, 2006**

(54) **FLAT PANEL COMPUTER HAVING AN INTEGRALLY HOUSED FLAT PANEL DISPLAY**

(75) Inventor: **Louis R. Jackson, Jr.**, Tomball, TX (US)

(73) Assignee: **Hewlett-Packard Development Company, L.P.**, Houston, TX (US)

(**) Term: **14 Years**

(21) Appl. No.: **29/240,799**

(22) Filed: **Oct. 19, 2005**

Related U.S. Application Data

(62) Division of application No. 11/173,015, filed on Jun. 30, 2005, which is a continuation of application No. 09/832,387, filed on Apr. 11, 2001.

(51) **LOC (8) Cl.** **14-02**

(52) **U.S. Cl.** **D14/341; D14/371**

(58) **Field of Classification Search** D14/341, D14/371, 374-376, 125-129; 345/104, 156, 345/168, 173; 348/180, 184, 325, 739; 341/12; 349/1, 2, 11, 62; 361/680-686; 700/94; D18/4.6; 178/18.03

See application file for complete search history.

(56) **References Cited**

U.S. PATENT DOCUMENTS

- 4,832,419 A 5/1989 Mitchell et al.
- 4,980,676 A 12/1990 Nomura et al.
- 5,157,585 A 10/1992 Myers
- 5,331,509 A 7/1994 Kikinis
- 5,355,279 A 10/1994 Lee et al.
- 5,375,076 A 12/1994 Goodrich et al.
- D356,548 S * 3/1995 Bottcher et al. D14/341
- 5,430,607 A 7/1995 Smith
- 5,443,237 A 8/1995 Stadtmauer
- 5,495,389 A 2/1996 Dewitt et al.
- 5,598,318 A 1/1997 Dewitt et al.

- 5,610,798 A 3/1997 Lochridge
- 5,646,819 A 7/1997 Hill, III
- 5,661,630 A 8/1997 Levins et al.
- 5,673,169 A 9/1997 Wicks
- D384,832 S 10/1997 Senturia et al.
- 5,673,982 A 10/1997 Chase et al.
- 5,683,068 A 11/1997 Chase et al.
- 5,786,983 A 7/1998 Brenner et al.

(Continued)

FOREIGN PATENT DOCUMENTS

DE 29616175 12/1996

OTHER PUBLICATIONS

IEEE 100 The Authoritative Dictionary of IEEE Standards Terms, Seventh Edition, p. 812 Undated.

Primary Examiner—Freda S. Nunn

(57) **CLAIM**

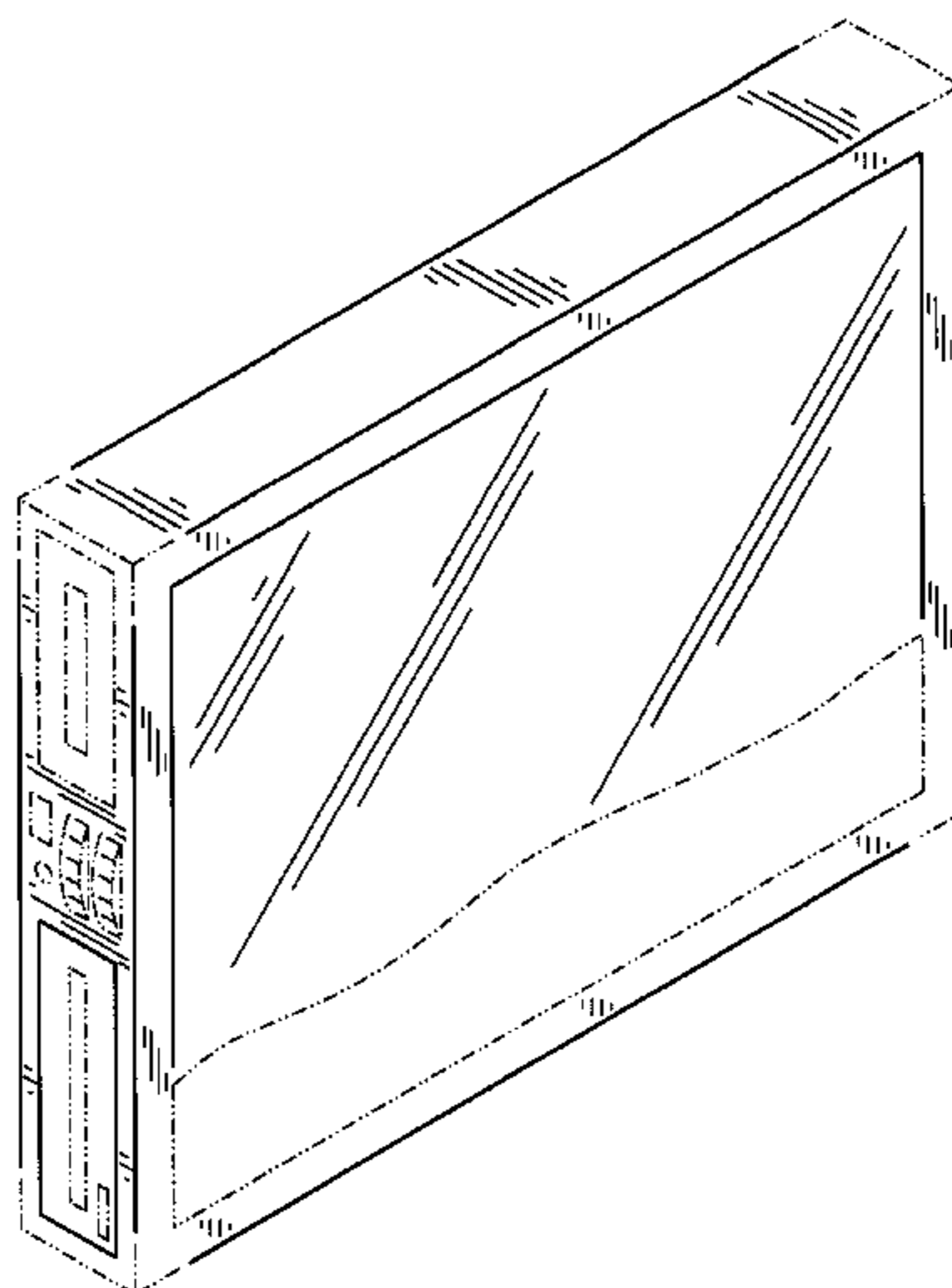
The ornamental design for a flat panel computer having an integrally housed flat panel display, as shown and described.

DESCRIPTION

FIG. 1 is a perspective view of the design for the flat panel computer having an integrally housed flat panel display, wherein the flat panel computer includes a disc drive shown in solid lines, wherein the flat panel computer includes a floppy disk drive, a volume dial, a display adjustment dial, a power button, and a reset button shown in dashed lines; FIG. 2 is a front elevational view of the design for the flat panel computer having an integrally housed flat panel display as illustrated in FIG. 1; and, FIG. 3 is a left side elevational view of the design for the flat panel computer having an integrally housed flat panel display as illustrated in FIG. 1.

In these drawings, the solid lines illustrate the claimed ornamental design, whereas the broken lines illustrate environmental features that form no part of the claimed ornamental design of the subject embodiment.

1 Claim, 2 Drawing Sheets



US D528,111 S

Page 2

U.S. PATENT DOCUMENTS

5,793,359	A	8/1998	Ushikubo				
5,831,817	A	11/1998	Chang				
D404,025	S	1/1999	Van Horne et al.				
5,880,928	A	3/1999	Ma				
6,016,248	A	1/2000	Anzai et al.				
D424,068	S	* 5/2000	Takemasa	D14/374		
6,097,593	A	8/2000	Faranda et al.				
6,157,958	A	12/2000	Armitage et al.				
6,219,229	B1	4/2001	Lee				
6,246,573	B1	6/2001	Khan et al.				
6,256,192	B1	7/2001	Shannon				
6,282,082	B1	8/2001	Armitage et al.				
6,290,349	B1	9/2001	Silverbrook et al.				
6,301,101	B1	10/2001	Anzai et al.				
6,335,861	B1	1/2002	Ramsey et al.				
6,353,529	B1	3/2002	Cies				
6,366,452	B1	4/2002	Wang et al.				
6,396,472	B1	5/2002	Jacklin				
6,480,243	B1	11/2002	Yamamoto				
6,519,146	B1	2/2003	Nagashima et al.				
6,560,094	B1	5/2003	Schmidt				
6,590,151	B1	7/2003	Merk et al.				
6,600,647	B1	7/2003	Girvin et al.				
6,667,759	B1	12/2003	Gerszberg et al.				
D493,816	S	* 8/2004	Butler	D18/4.6		
D494,583	S	* 8/2004	Guerrera et al.	D14/336		
6,798,655	B1	9/2004	Nagashima et al.				
D497,362	S	* 10/2004	Wang et al.	D14/371		
6,823,415	B1	11/2004	Asaad et al.				
D502,152	S	* 2/2005	Peng	D14/126		
D504,427	S	* 4/2005	Hsu Li	D14/371		
2002/0188363	A1	12/2002	Ashy				
2002/0196599	A1	12/2002	Misawa				
2005/0052837	A1	* 3/2005	Kota et al.	361/683		
2005/0243505	A1	* 11/2005	Jackson, Jr.	361/683		

* cited by examiner

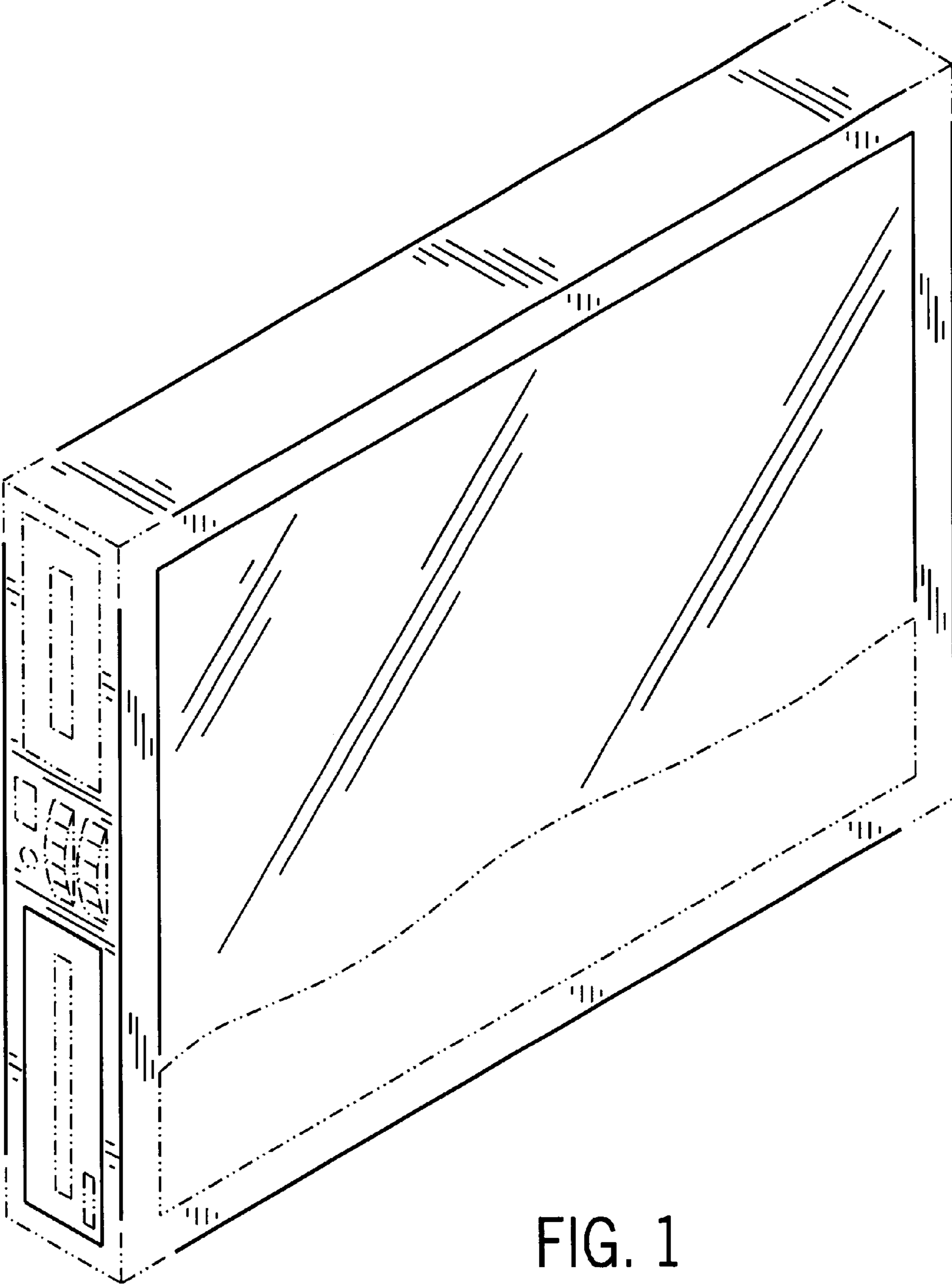


FIG. 1

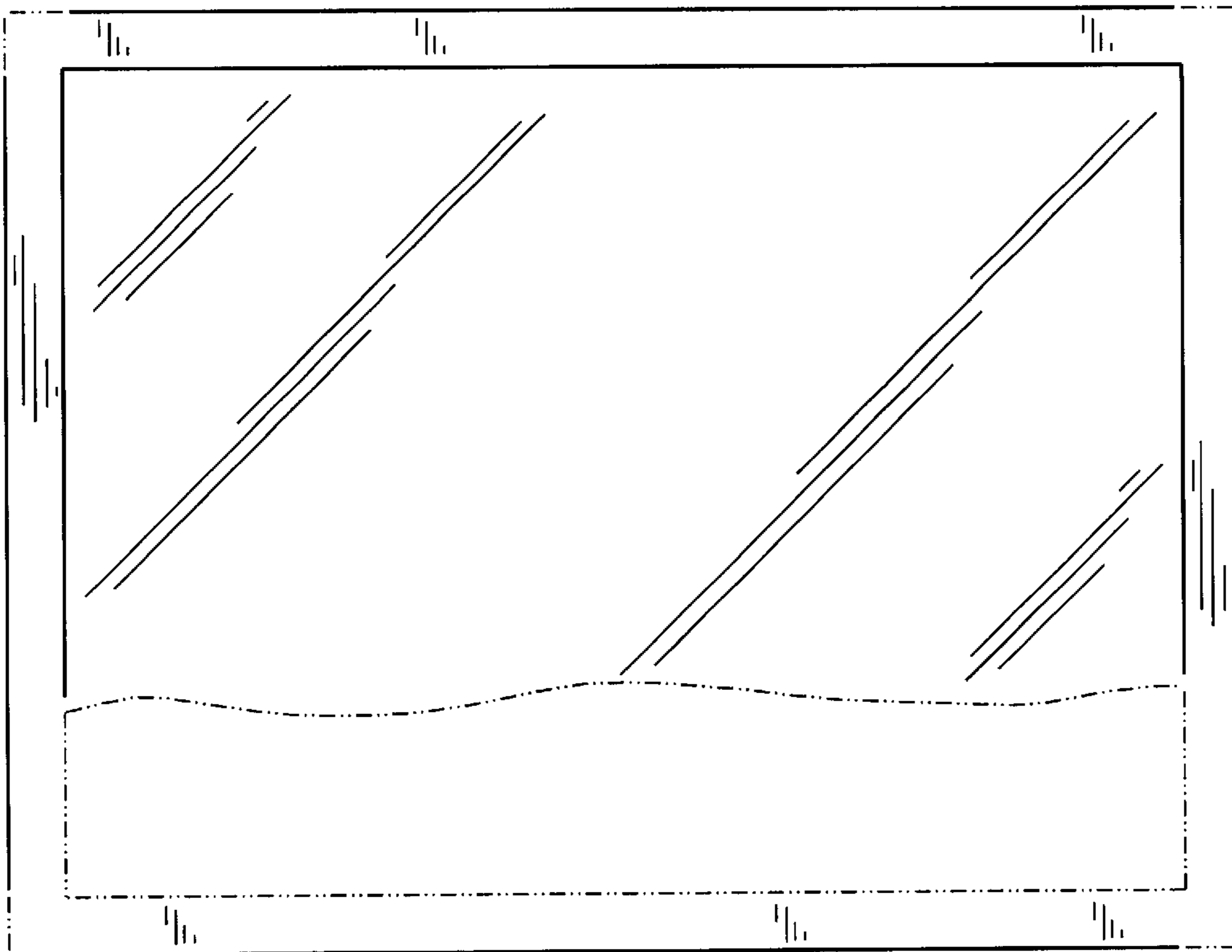


FIG. 2

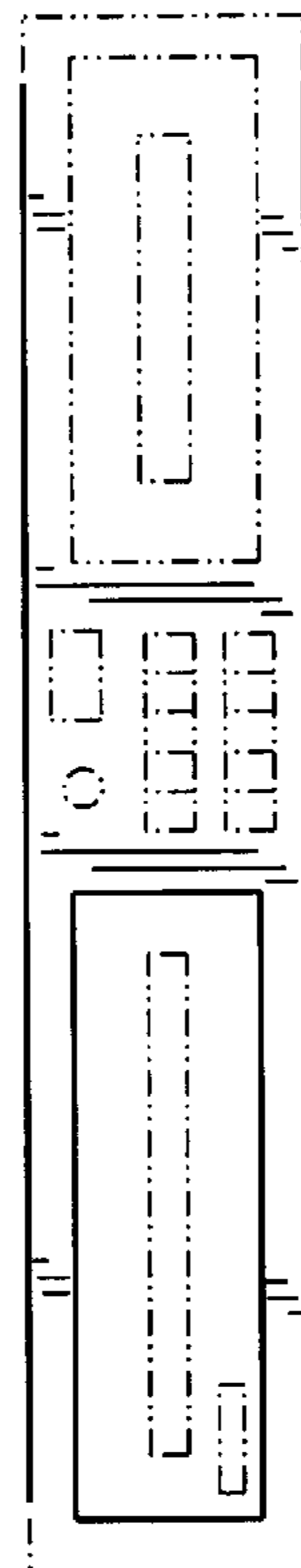


FIG. 3