

US00D528107S

(12) **United States Design Patent**
Nakajima

(10) **Patent No.:** **US D528,107 S**

(45) **Date of Patent:** **** Sep. 12, 2006**

(54) **KEY BUTTON ARRANGEMENT FOR A HANDSET**

(75) Inventor: **Shiho Nakajima**, Tokyo (JP)

(73) Assignee: **Nokia Corporation**, Espoo (FI)

(**) Term: **14 Years**

(21) Appl. No.: **29/210,066**

(22) Filed: **Jul. 27, 2004**

(30) **Foreign Application Priority Data**

Mar. 12, 2004 (FI) M20040041

(51) **LOC (8) Cl.** **14-03**

(52) **U.S. Cl.** **D14/247; D14/455**

(58) **Field of Classification Search** D14/137,
D14/138, 147-148, 247-248, 144, 218, 341-347,
D14/455, 456; 379/433.01-433.13, 434;
455/575.1, 566, 556.1; D21/517, 329, 331;
345/169

See application file for complete search history.

(56) **References Cited**

U.S. PATENT DOCUMENTS

D313,413 S	*	1/1991	Langton	D14/138
5,500,643 A	*	3/1996	Grant	341/22
D388,783 S	*	1/1998	Harden et al.	D14/138
6,480,377 B1	*	11/2002	Genest et al.	361/686
D469,367 S	*	1/2003	Mirabelli et al.	D10/65
D477,596 S	*	7/2003	Hayes	D14/343
D479,514 S	*	9/2003	Chan	D14/138
D487,572 S	*	3/2004	Munstermann	D14/138
D488,143 S	*	4/2004	Ting et al.	D14/138
D492,276 S	*	6/2004	Walliser et al.	D14/138
D492,674 S	*	7/2004	Widiaman et al.	D14/247
D494,561 S	*	8/2004	Kagami et al.	D14/138
D494,949 S	*	8/2004	Arnholt et al.	D14/138
D494,950 S	*	8/2004	Keunecke	D14/138
D495,672 S	*	9/2004	Jeon et al.	D14/138
D496,019 S	*	9/2004	Okada et al.	D14/138
D496,654 S	*	9/2004	Burroughs	D14/247
D496,921 S	*	10/2004	Hwang	D14/138
D496,926 S	*	10/2004	Dalby et al.	D14/247
D497,602 S	*	10/2004	Huff	D14/138

D498,223 S	*	11/2004	Ho et al.	D14/138
D498,473 S	*	11/2004	Sheu	D14/247
D499,088 S	*	11/2004	Sheu	D14/247
D502,157 S	*	2/2005	Kim et al.	D14/138
D502,455 S	*	3/2005	Brandis et al.	D14/138
D502,691 S	*	3/2005	Fuxen	D14/138
D502,933 S	*	3/2005	Munstermann	D14/138
D503,162 S	*	3/2005	Kagami et al.	D14/138
D503,163 S	*	3/2005	Chan et al.	D14/138
D506,750 S	*	6/2005	Mehandjiysky	D14/247
D507,562 S	*	7/2005	Kim	D14/247

FOREIGN PATENT DOCUMENTS

WO	DM/060792	*	6/2002
WO	DM/064643		12/2003
WO	DM/065553	*	2/2004
WO	DM/065741	*	7/2004
WO	DM/066628	*	5/2005

OTHER PUBLICATIONS

“Nokia 7610 Introduced”, 3pp including photo, [online], <URL:www.mobiletechnews.com>, posted Mar. 17, 2004.*

* cited by examiner

Primary Examiner—Jeffrey Asch

(74) *Attorney, Agent, or Firm*—Banner & Witcoff, Ltd.

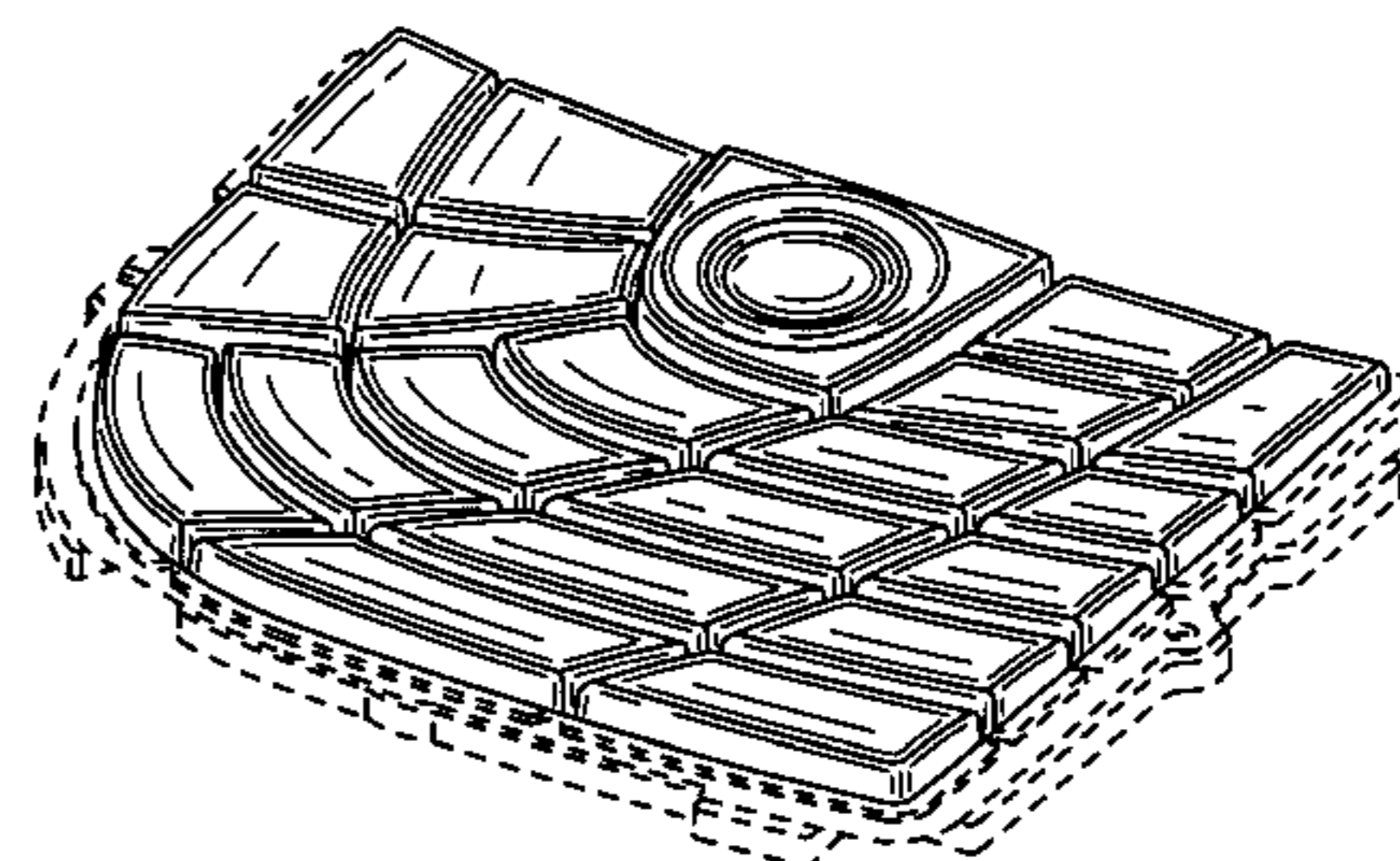
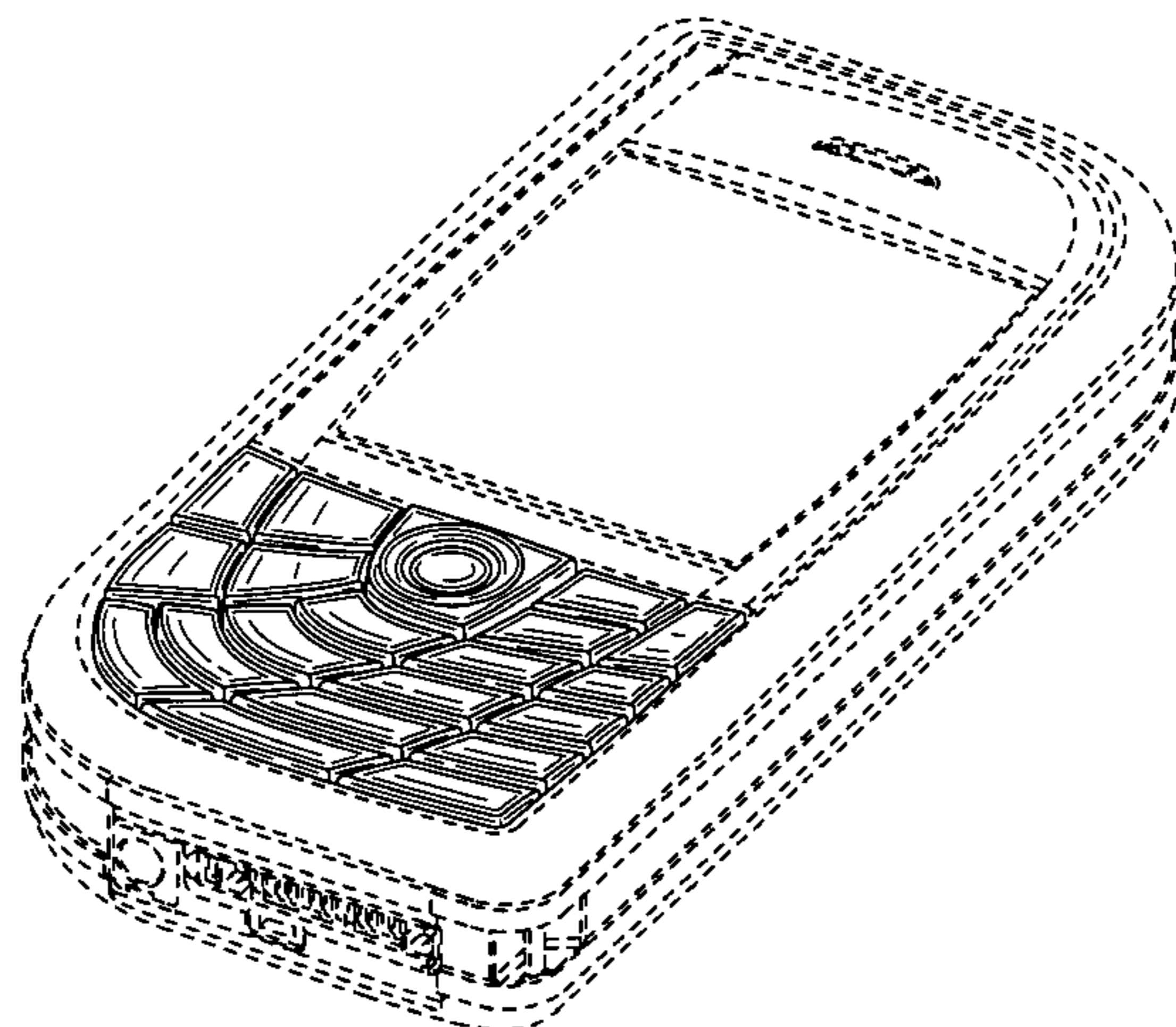
(57) **CLAIM**

The ornamental design for a key button arrangement for a handset, as shown and described.

DESCRIPTION

FIG. 1 is a front view of a key button arrangement for a handset showing my new design;
FIG. 2 is a perspective front view thereof;
FIG. 3 is a front view of a key button arrangement for a handset showing a second embodiment of my new design in an environment of a keypad; and,
FIG. 4 is a perspective front view thereof.
The broken line showing of the remainder of the handset in FIGS. 1-2 and the remainder of the keypad in FIGS. 3-4 is for illustrative purposes only and forms no part of the claimed design.

1 Claim, 3 Drawing Sheets



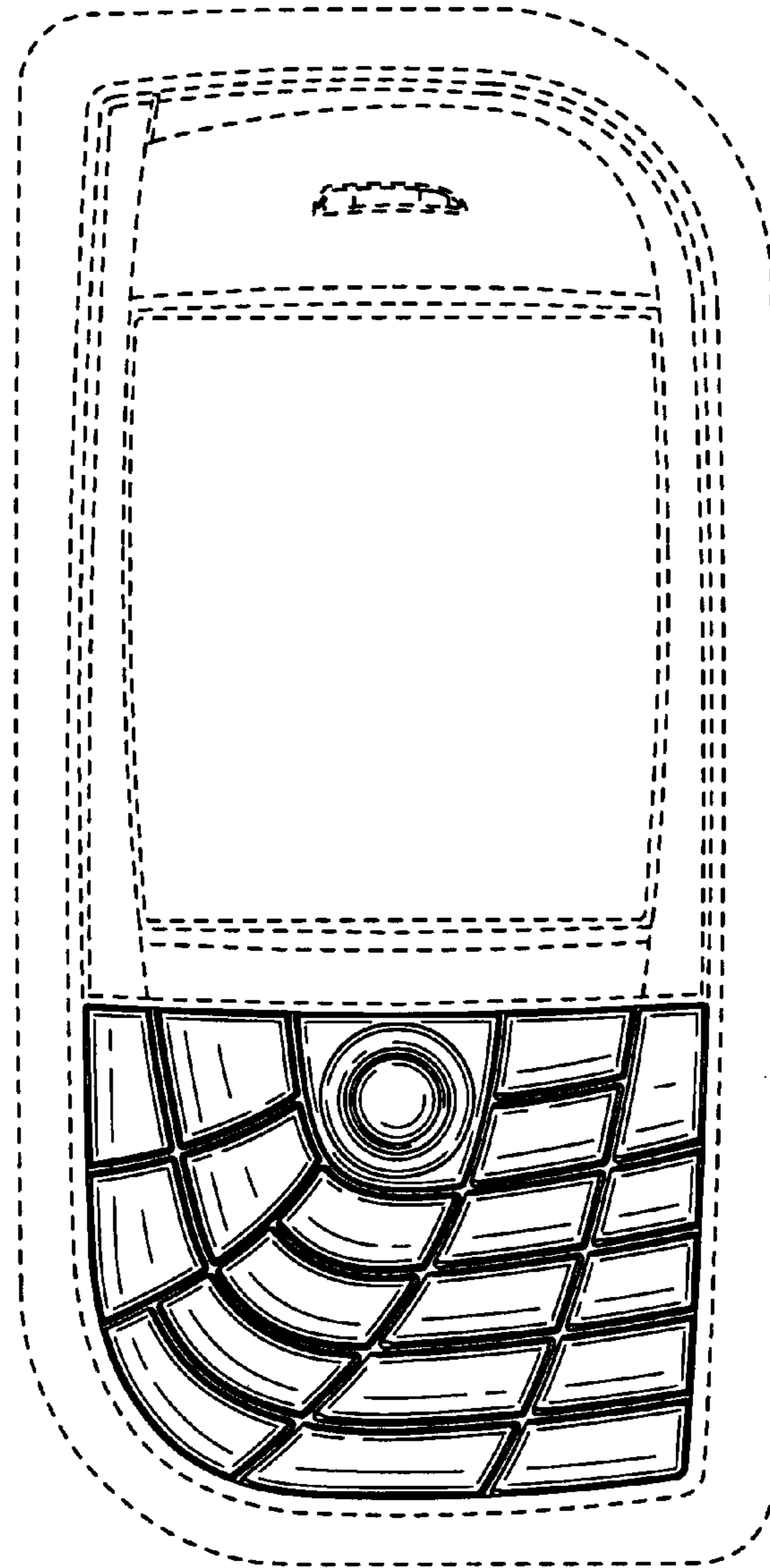


FIG. 1

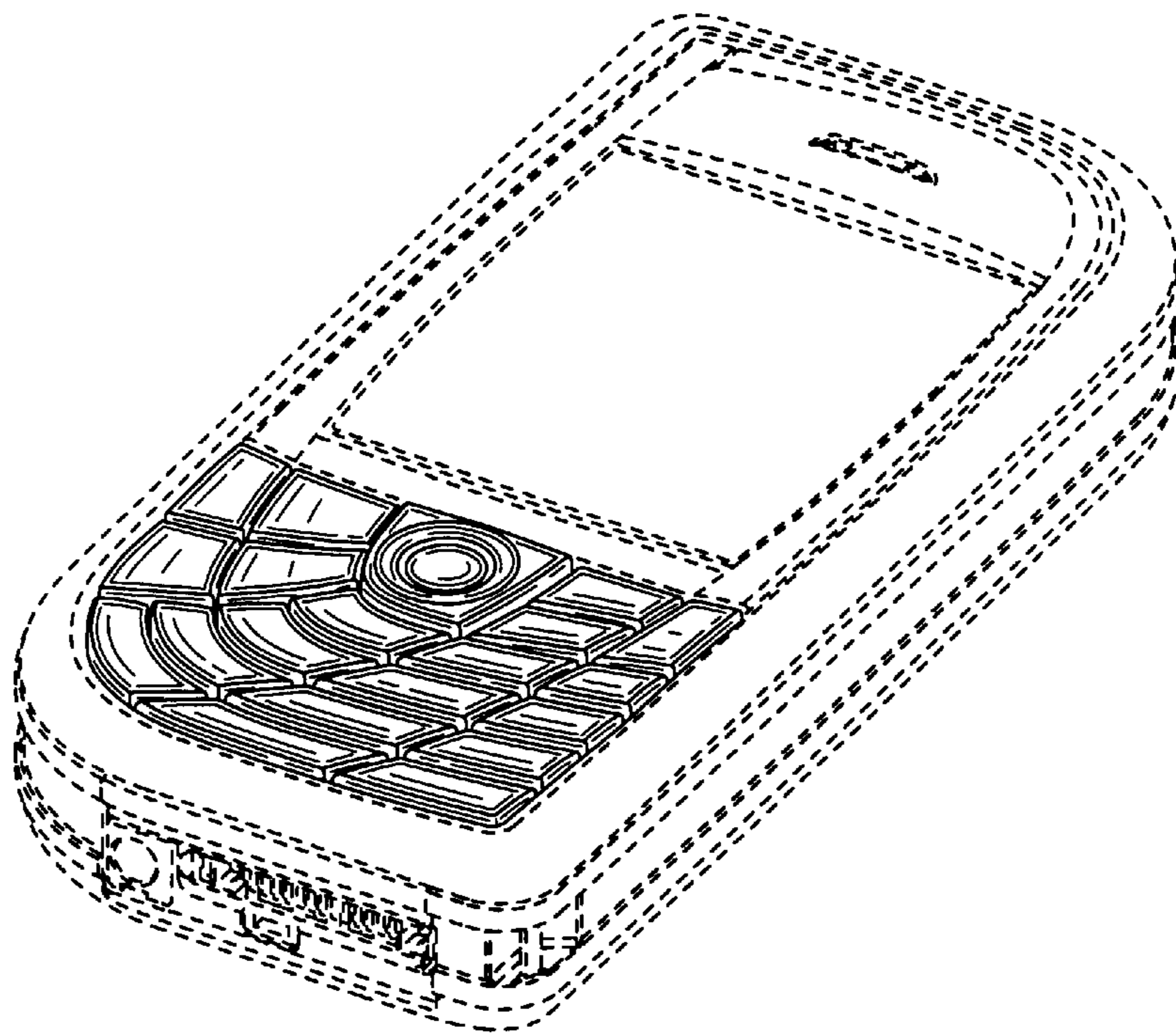


FIG. 2

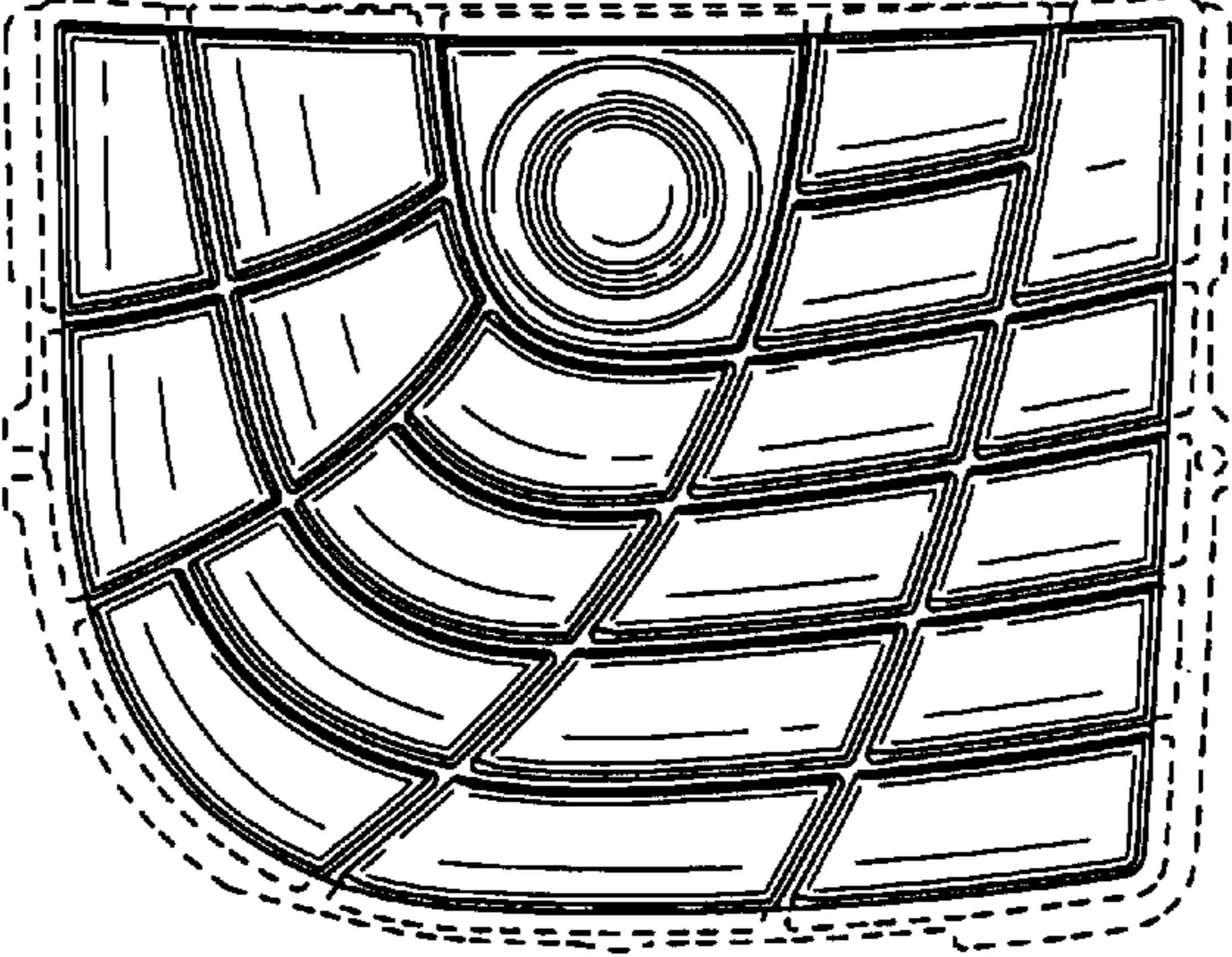


FIG. 3

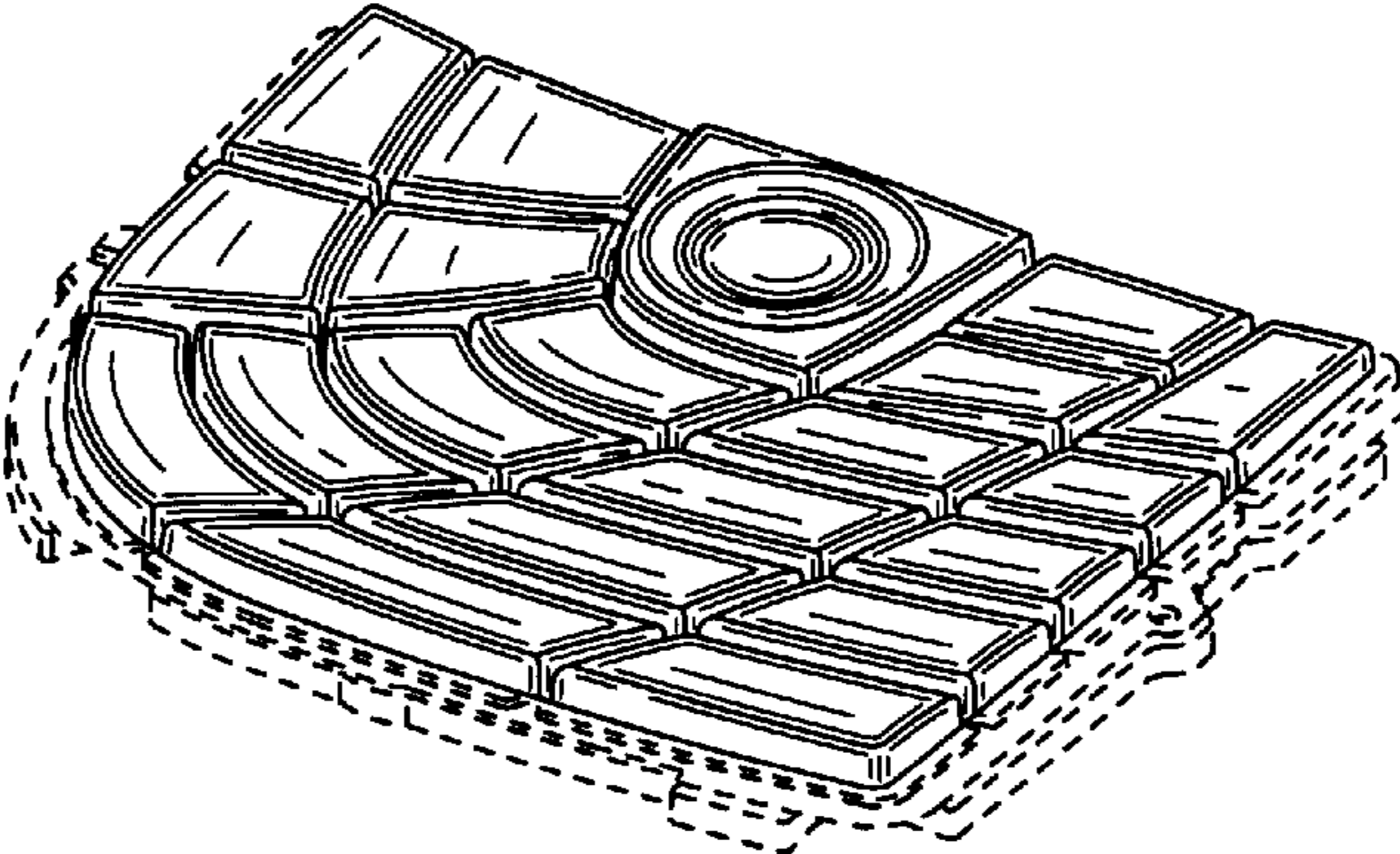


FIG. 4