



US00D528106S

(12) **United States Design Patent**
Lee et al.

(10) **Patent No.:** **US D528,106 S**
(45) **Date of Patent:** **** Sep. 12, 2006**

(54) **GAME PAD FOR A CELLULAR PHONE**
(75) Inventors: **Ja-Youn Lee**, Seoul (KR); **Jong-Seong Lee**, Seoul (KR); **Beom-Ku Han**, Seoul (KR)
(73) Assignee: **Samsung Electronics Co., Ltd.** (KR)
(**) Term: **14 Years**

(21) Appl. No.: **29/216,939**
(22) Filed: **Nov. 11, 2004**

(30) **Foreign Application Priority Data**
Jun. 7, 2004 (KR) 30-2004-0016914

(51) **LOC (8) Cl.** **14-03**
(52) **U.S. Cl.** **D14/240; D14/401**
(58) **Field of Classification Search** D18/50,
D18/51, 19, 35.1, 54, 56, 99, 37, 184, 7;
101/5, 47, 49, 53; 235/375; 346/9-11, 76.1;
D14/240, 399, 339, 346, 392, 463, 436, 393,
D14/138, 401; 119/406-407; D13/184, 167;
400/100, 82; 345/168
See application file for complete search history.

(56) **References Cited**
U.S. PATENT DOCUMENTS
D323,817 S * 2/1992 Buchin D14/393
D345,158 S * 3/1994 Namba et al. D14/138
D366,069 S * 1/1996 Mowrey D14/401
5,941,648 A * 8/1999 Robinson et al. 400/82

D416,008 S * 11/1999 Robinson et al. D14/393
D417,211 S * 11/1999 Kaneko et al. D14/401
D463,381 S * 9/2002 Westermann D13/167
D472,551 S * 4/2003 Griffin D14/346
D478,585 S * 8/2003 Griffin D14/346
D484,878 S * 1/2004 Wightman et al. D14/346
2002/0101405 A1 * 8/2002 Chang 345/168

* cited by examiner
Primary Examiner—Charles A. Rademaker
(74) *Attorney, Agent, or Firm*—Cantor Colburn LLP

(57) **CLAIM**
We claim, the ornamental design for a game pad for a cellular phone, as shown and described.

DESCRIPTION
FIG. 1 is a top and front perspective view of a game pad for a cellular phone, showing our new design;
FIG. 2 is a front elevational view thereof;
FIG. 3 is a rear elevational view thereof;
FIG. 4 is a left side elevational view thereof, the right side is a mirror image of the left side;
FIG. 5 is a top elevational view thereof;
FIG. 6 is a bottom elevational view thereof; and,
FIG. 7 is a front perspective view thereof, showing the game pad for a cellular phone being connected to a cellular phone. The broken line showing of environment in FIG. 7 is for illustrative purposes only and forms no part of the claimed design.

1 Claim, 3 Drawing Sheets

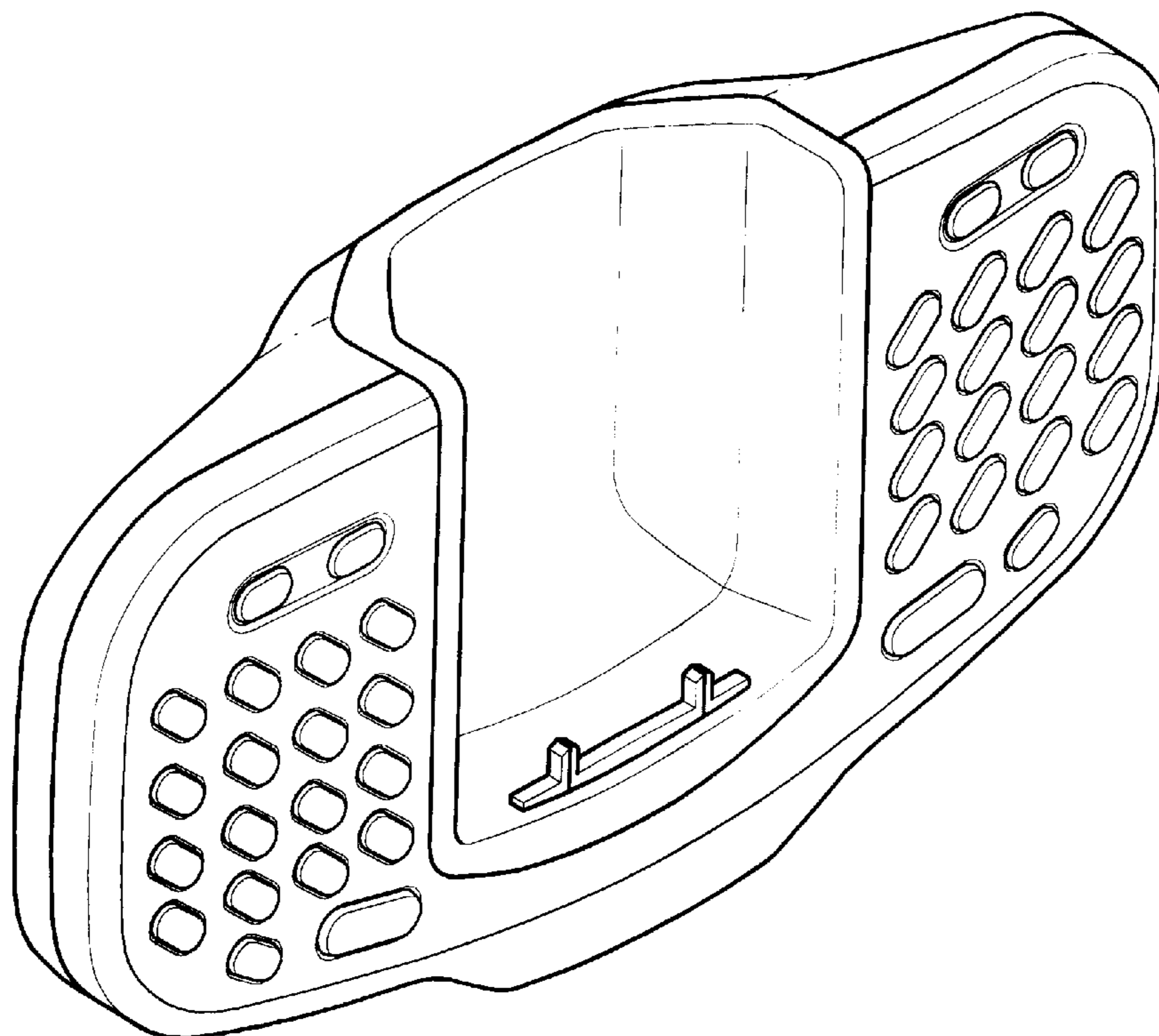


FIG. 1

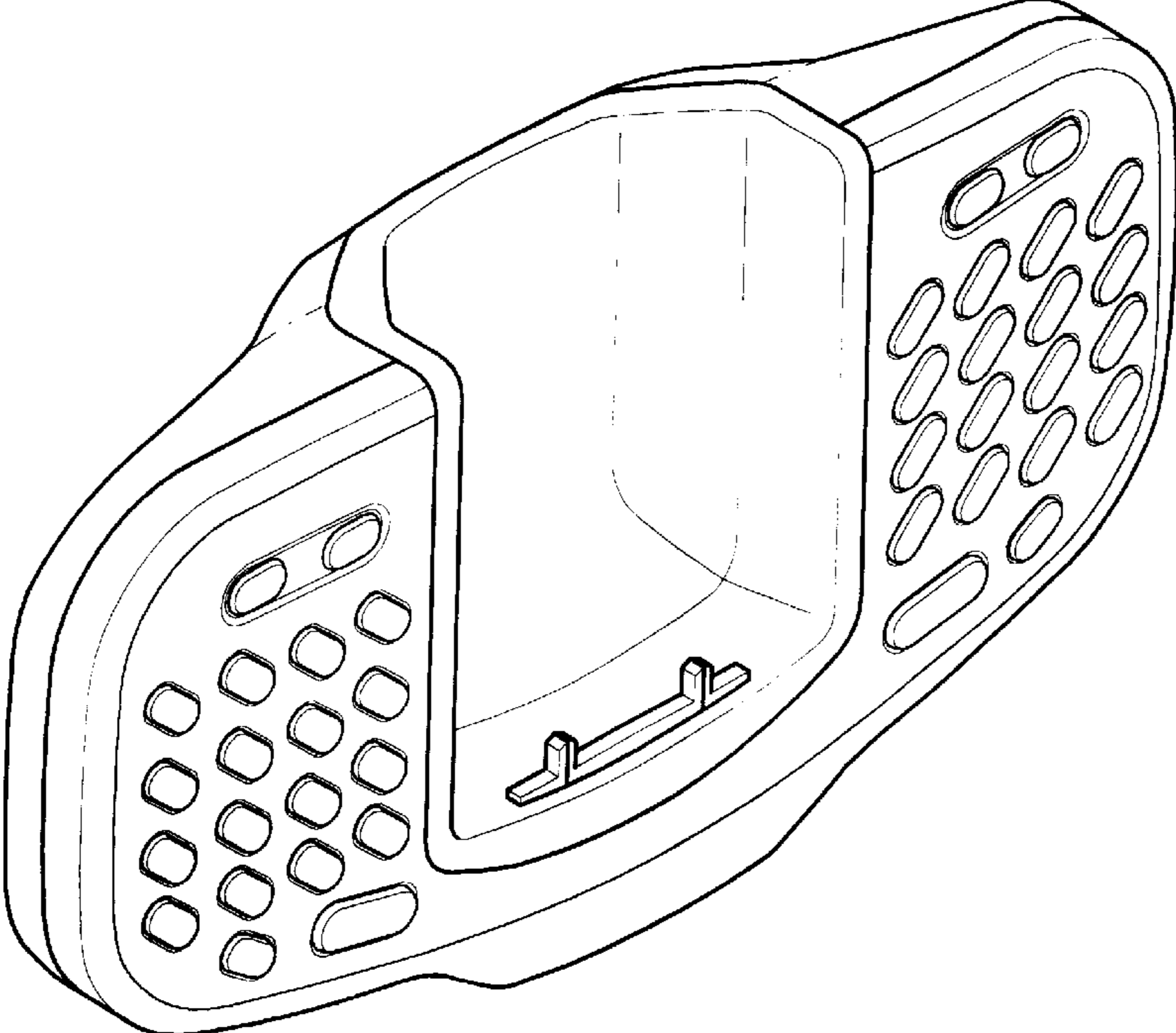


FIG. 2

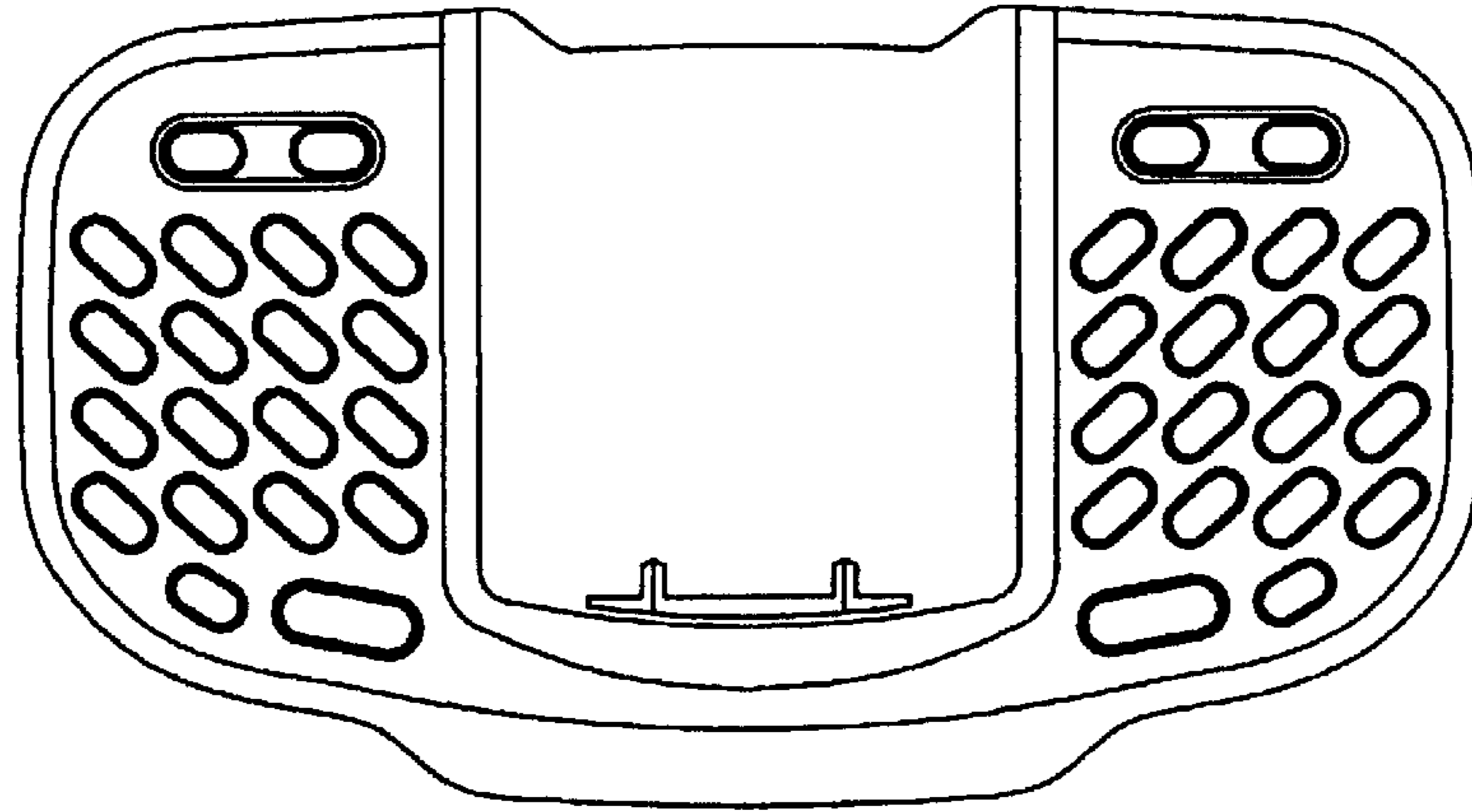


FIG. 3

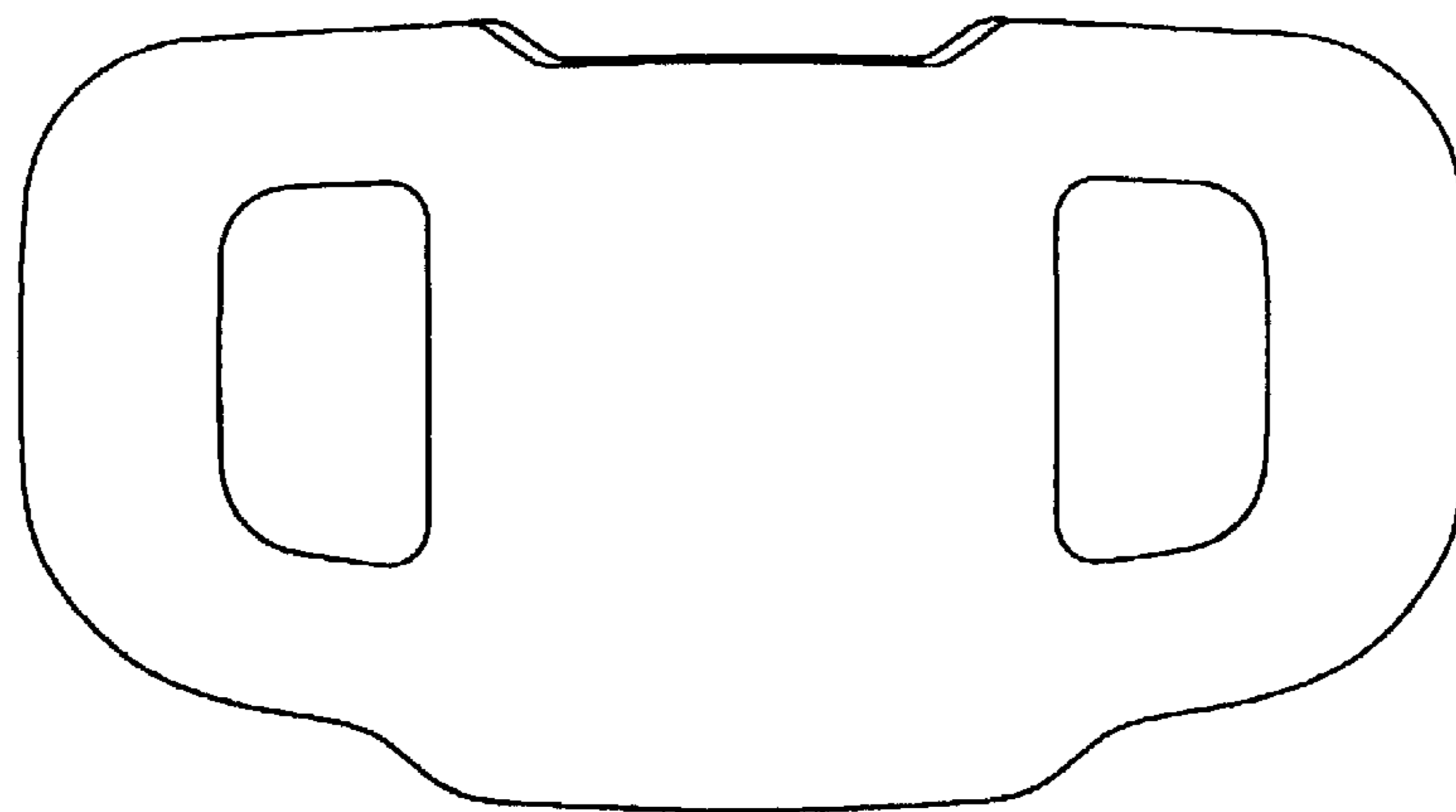


FIG. 4

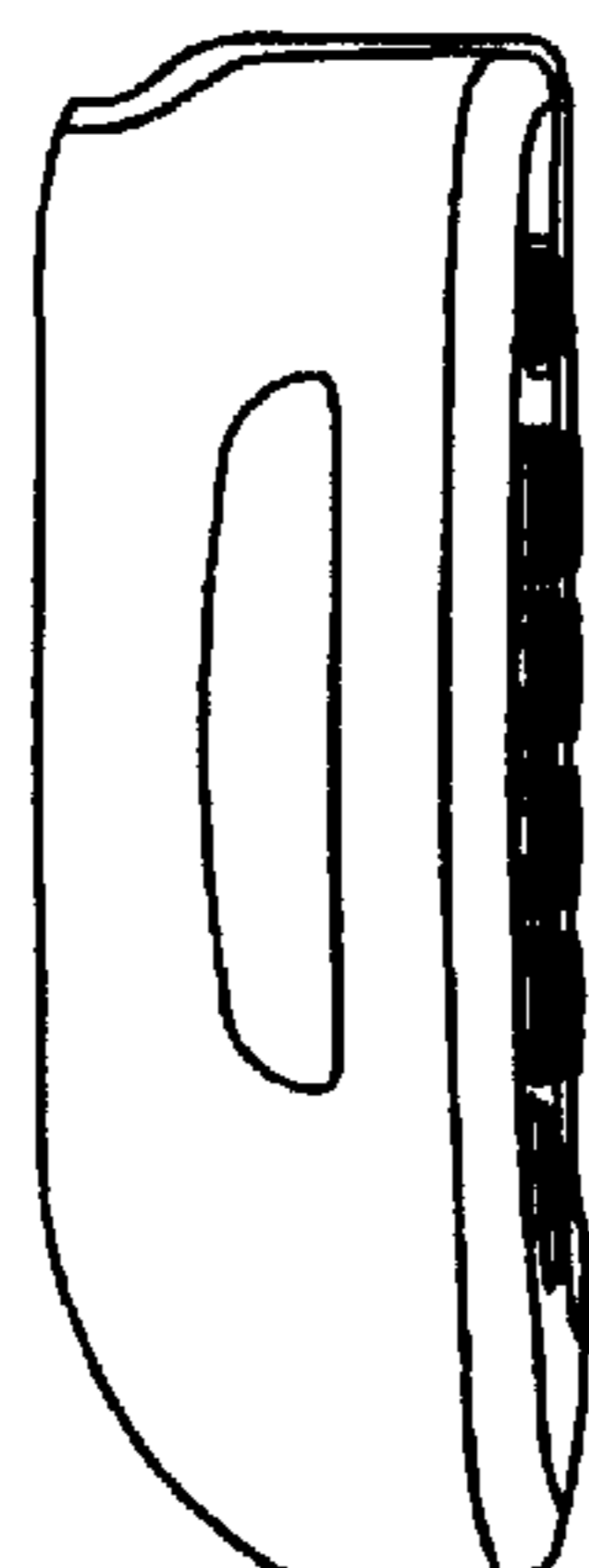


FIG. 5

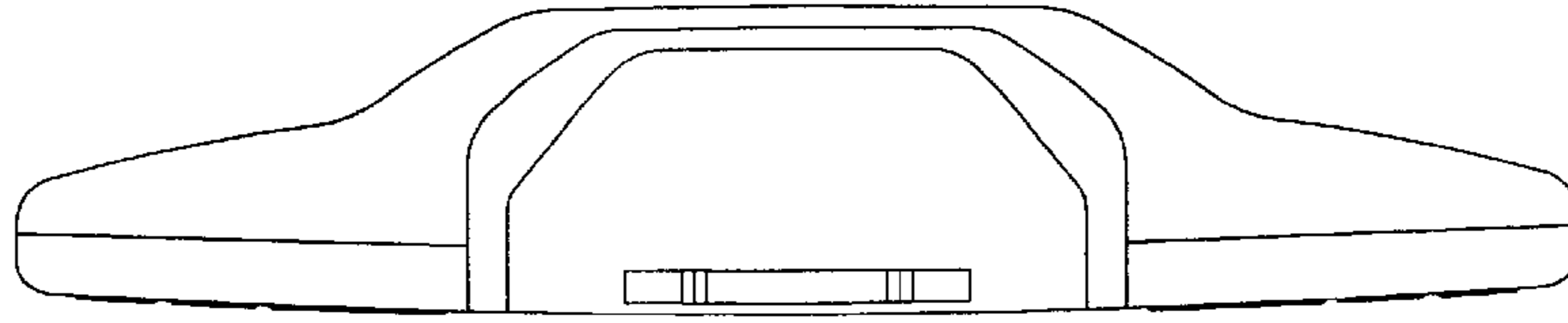


FIG. 6

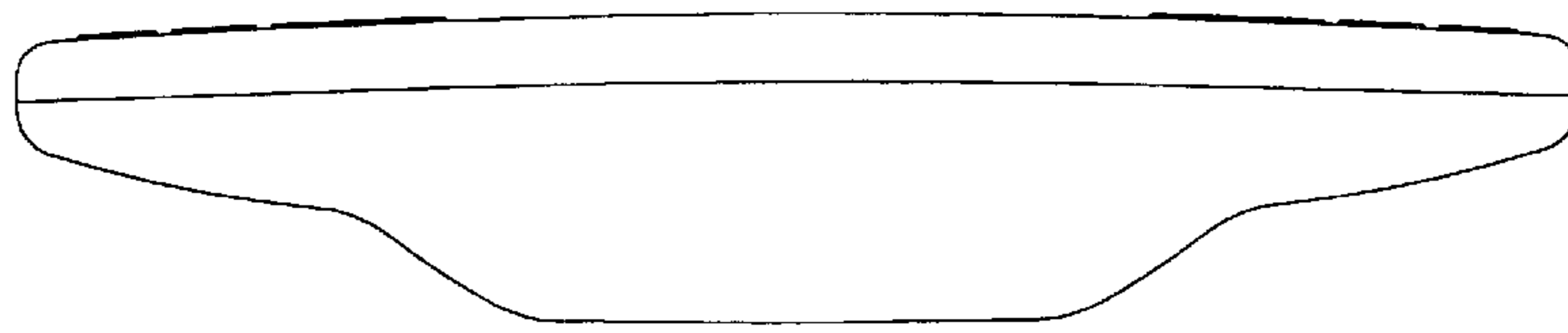


FIG. 7

