



US00D528104S

(12) **United States Design Patent**  
**Kimura**

(10) **Patent No.:** **US D528,104 S**

(45) **Date of Patent:** **\*\* Sep. 12, 2006**

(54) **WIRELESS MICROPHONE**

(75) Inventor: **Mitsuo Kimura**, Machida (JP)

(73) Assignee: **Kabushiki Kaisha Audio Technica**,  
Tokyo (JP)

(\*\*) Term: **14 Years**

(21) Appl. No.: **29/236,936**

(22) Filed: **Aug. 25, 2005**

(30) **Foreign Application Priority Data**

Jun. 27, 2005 (JP) ..... 2005-018565

(51) **LOC (8) Cl.** ..... **14-01**

(52) **U.S. Cl.** ..... **D14/227**

(58) **Field of Classification Search** ..... D14/140.8,  
D14/141.1, 142, 149, 159, 225, 210, 226,  
D14/229, 227, 240, 228, 242; D13/184; D10/106,  
D10/121; 379/430, 431, 438, 440; 381/91,  
381/122, 168, 169; 455/550-575

See application file for complete search history.

(56) **References Cited**

**U.S. PATENT DOCUMENTS**

D280,097 S \* 8/1985 Yamagata et al. .... D14/159

D283,124 S \* 3/1986 Kolb ..... D14/225

D285,681 S \* 9/1986 Nakashima ..... D14/159

D305,121 S \* 12/1989 Pfeifer et al. .... D14/159

D306,860 S \* 3/1990 Dickson ..... D14/140.8

D324,864 S \* 3/1992 Hector ..... D14/210

D327,479 S \* 6/1992 Britz ..... D14/225

D341,593 S \* 11/1993 Chang ..... D14/229

D384,672 S \* 10/1997 Heberling ..... D14/242

D426,220 S \* 6/2000 Sampson ..... D14/142

D493,441 S \* 7/2004 Sabick et al. .... D14/149

\* cited by examiner

*Primary Examiner*—Paula A. Greene

(74) *Attorney, Agent, or Firm*—Manabu Kanesaka

(57) **CLAIM**

The ornamental design for wireless microphone, as shown and described.

**DESCRIPTION**

FIG. 1 is a right perspective view of wireless microphone showing my new design;

FIG. 2 is a left perspective view thereof;

FIG. 3 is a front view thereof;

FIG. 4 is a rear view thereof;

FIG. 5 is a right side view thereof;

FIG. 6 is a left side view thereof;

FIG. 7 is a top plan view thereof; and,

FIG. 8 is a bottom view thereof.

**1 Claim, 4 Drawing Sheets**

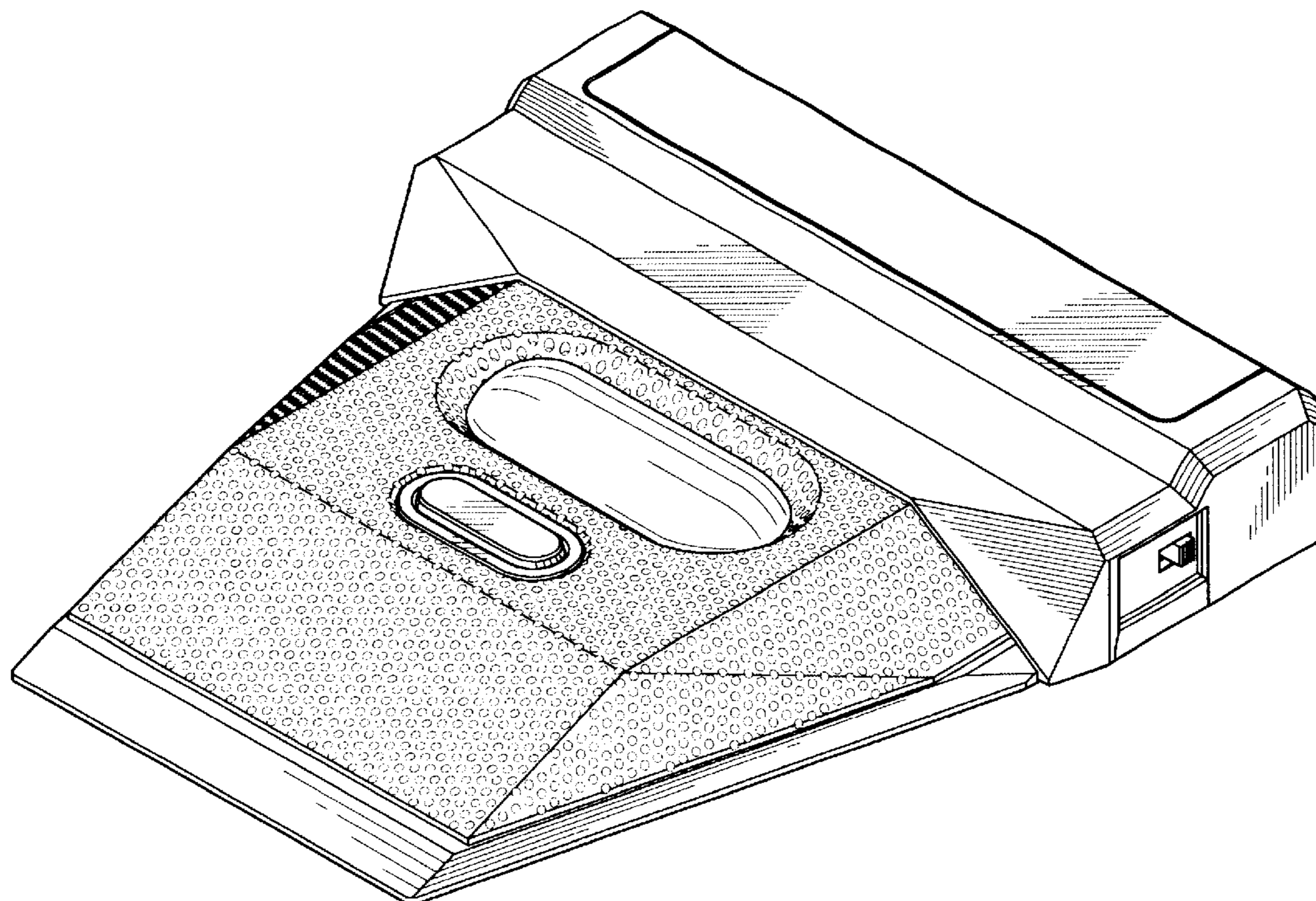


FIG. 1

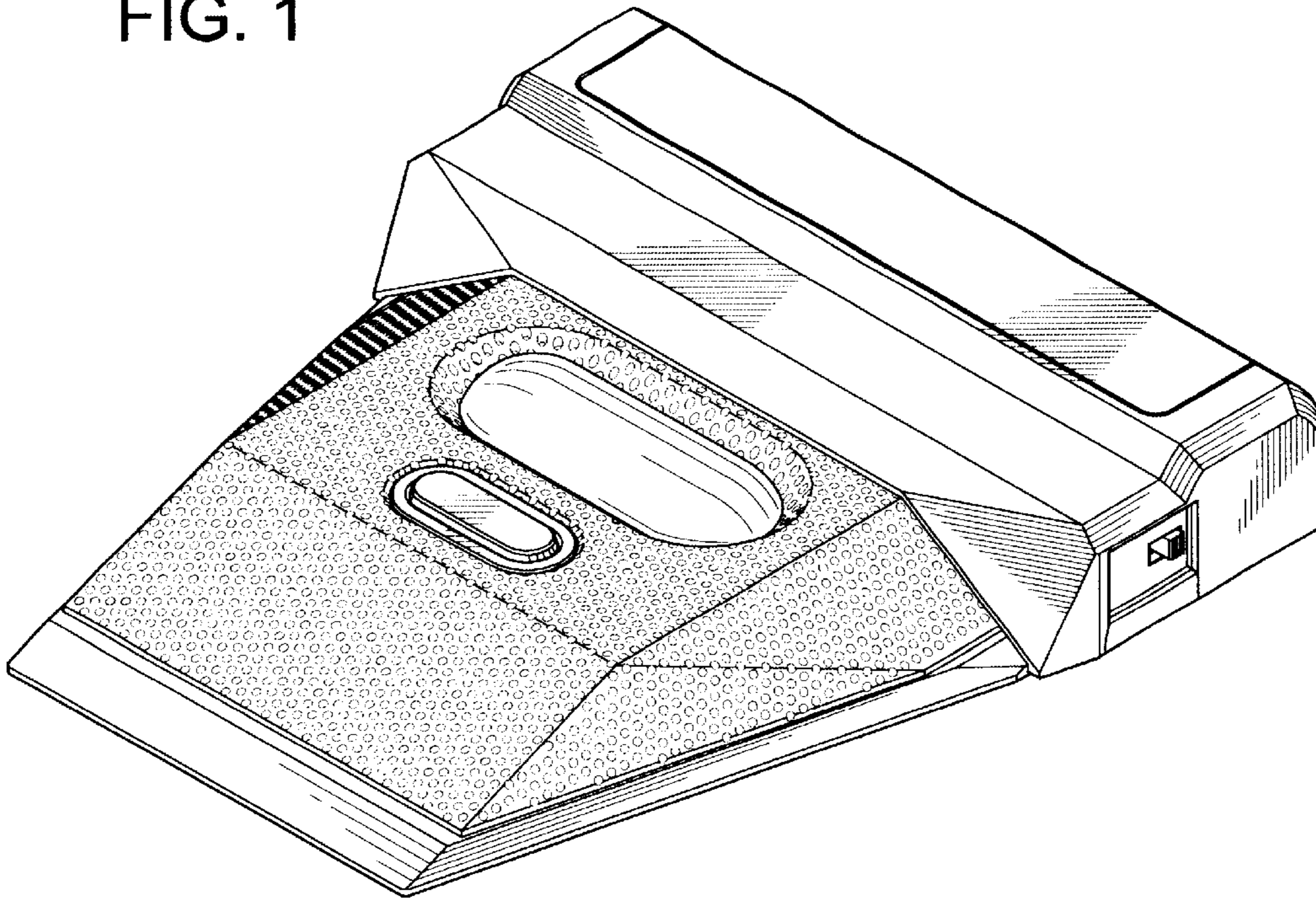


FIG. 2

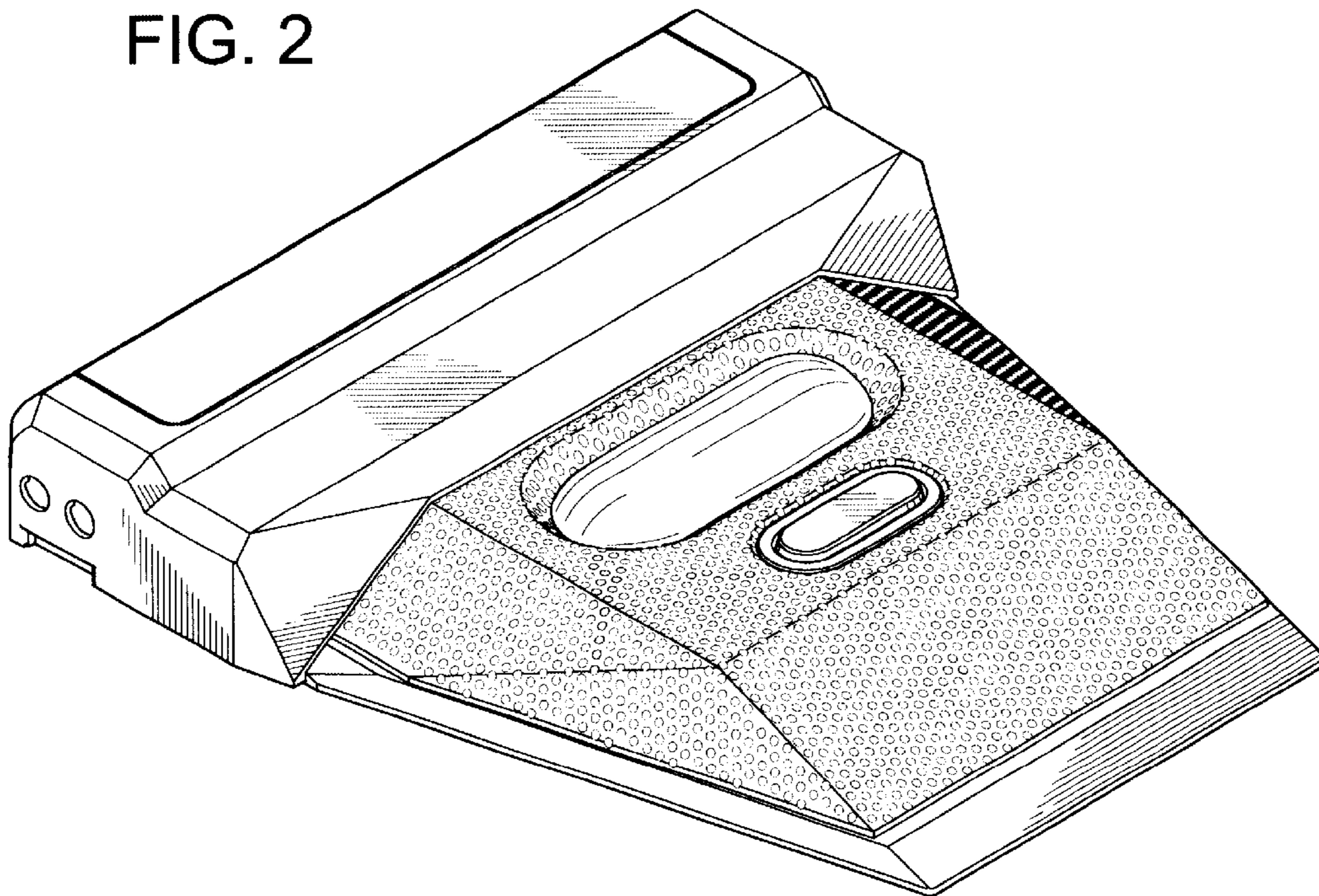


FIG. 3

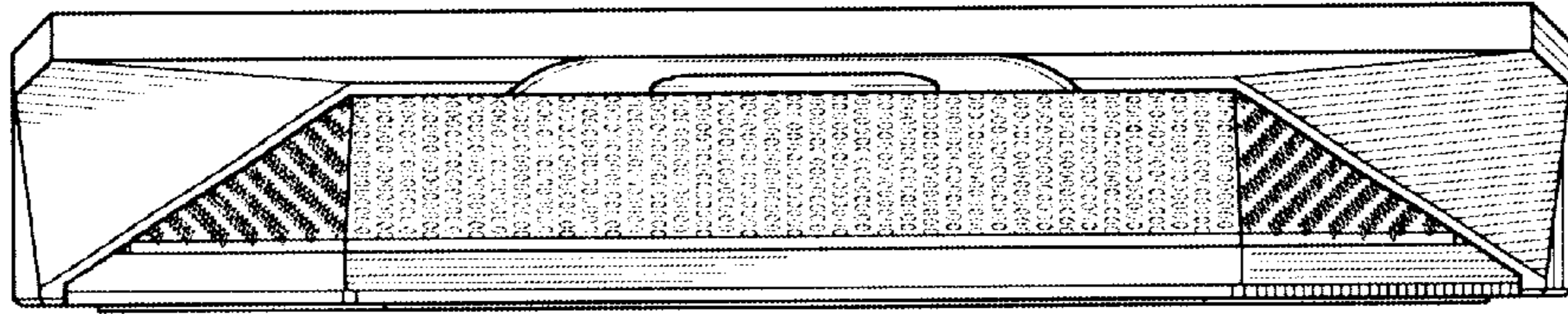


FIG. 4

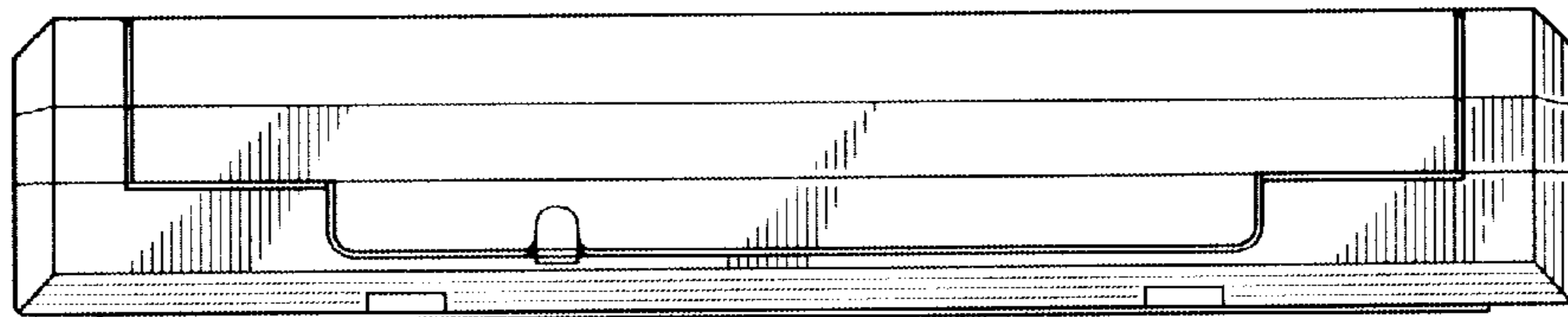


FIG. 5

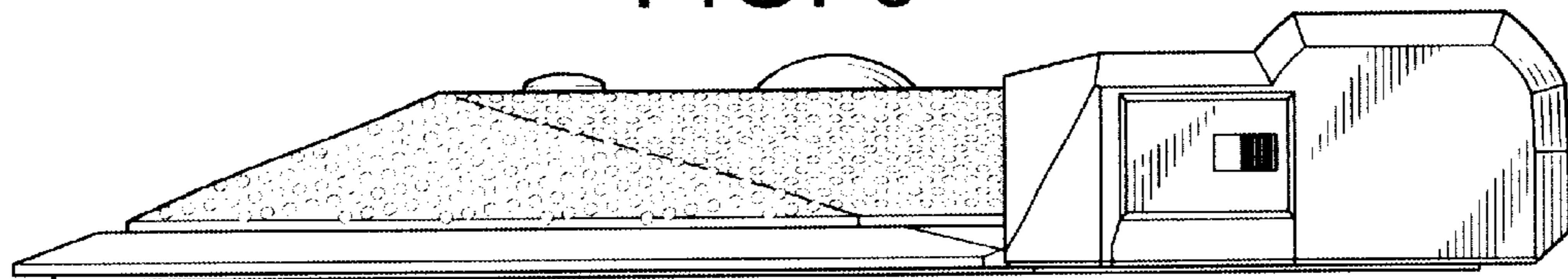


FIG. 6

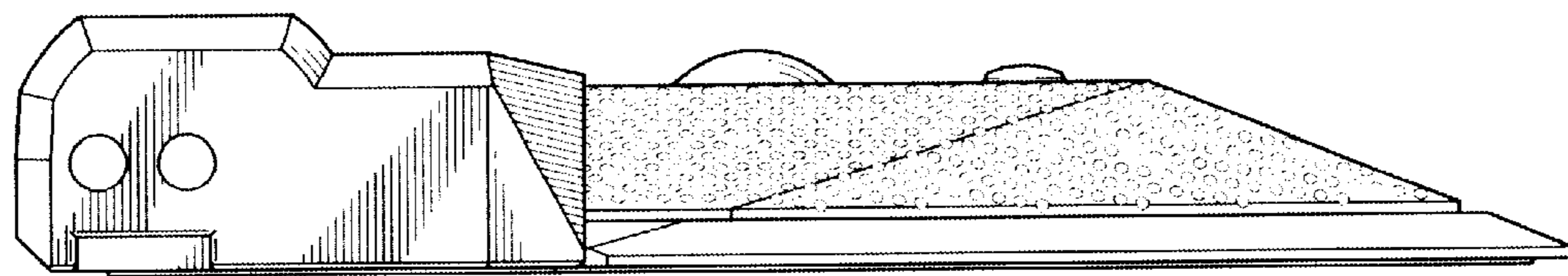


FIG. 7

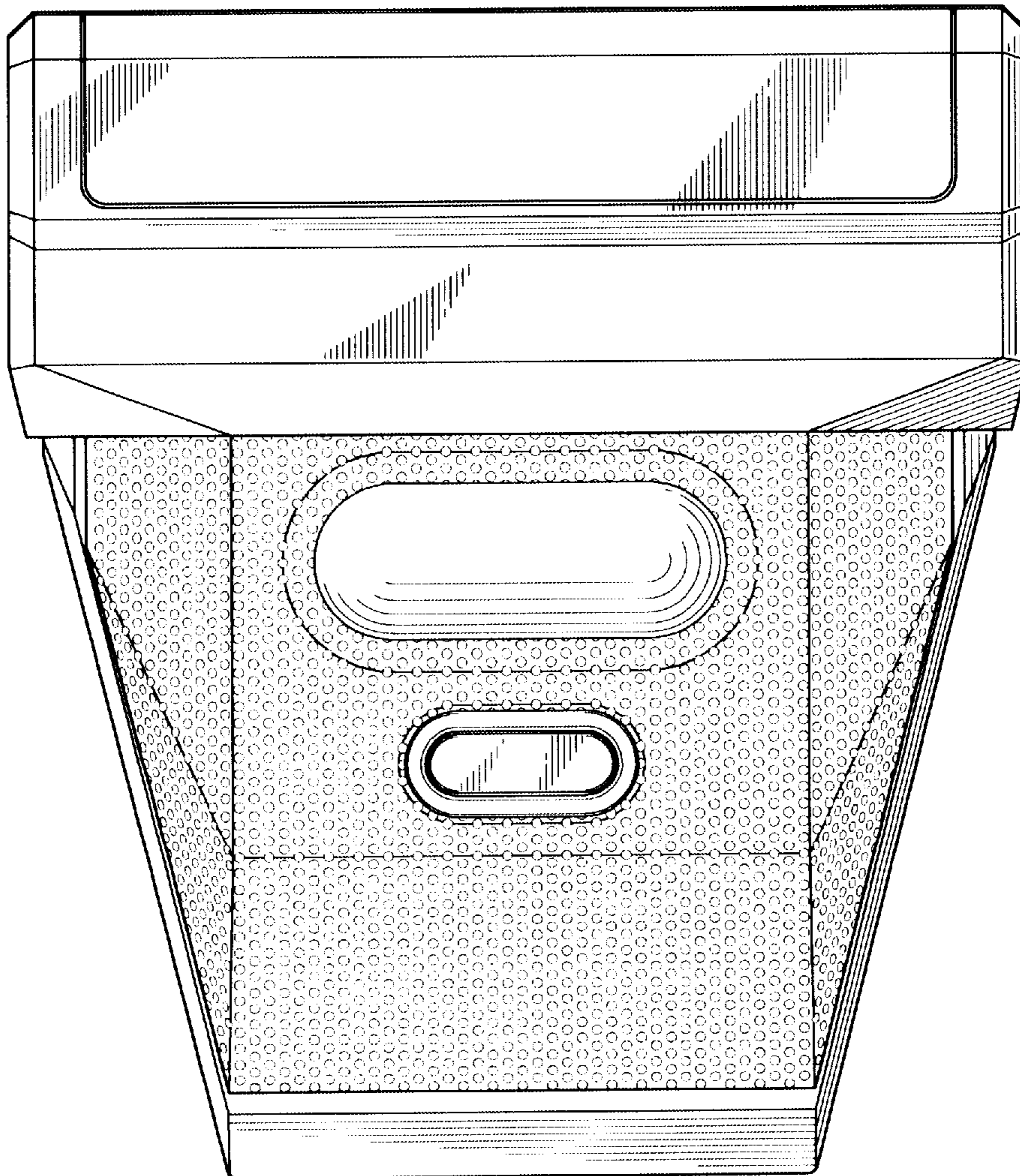


FIG. 8

