



US00D528102S

(12) **United States Design Patent**  
**Lye**

(10) **Patent No.:** **US D528,102 S**

(45) **Date of Patent:** **\*\* Sep. 12, 2006**

(54) **SPEAKER WITH HOLDER**

(76) Inventor: **Kok Hong Lye**, 364 11<sup>th</sup> St., San Francisco, CA (US) 94103

(\*\*) Term: **14 Years**

(21) Appl. No.: **29/227,874**

(22) Filed: **Apr. 15, 2005**

(51) **LOC (8) Cl.** ..... **14-01**

(52) **U.S. Cl.** ..... **D14/211; D14/216**

(58) **Field of Classification Search** ..... D14/204,  
D14/207, 209-216, 356; 181/143-144, 147-148,  
181/150, 157, 198-199, 151, 153; 381/300-302,  
381/306, 333, 345, 361-364, 386-388, 332,  
381/336

See application file for complete search history.

(56) **References Cited**

**U.S. PATENT DOCUMENTS**

2,881,850 A 4/1959 Bonn

D186,892 S 12/1959 Wilber  
D210,538 S 3/1968 Lahti  
4,221,927 A \* 9/1980 Dankman et al. .... 367/198  
D467,238 S \* 12/2002 Hlas et al. .... D14/216  
D497,612 S 10/2004 Olson

\* cited by examiner

*Primary Examiner*—Nanda Bondade

(57) **CLAIM**

The ornamental design for a speaker with holder, as shown.

**DESCRIPTION**

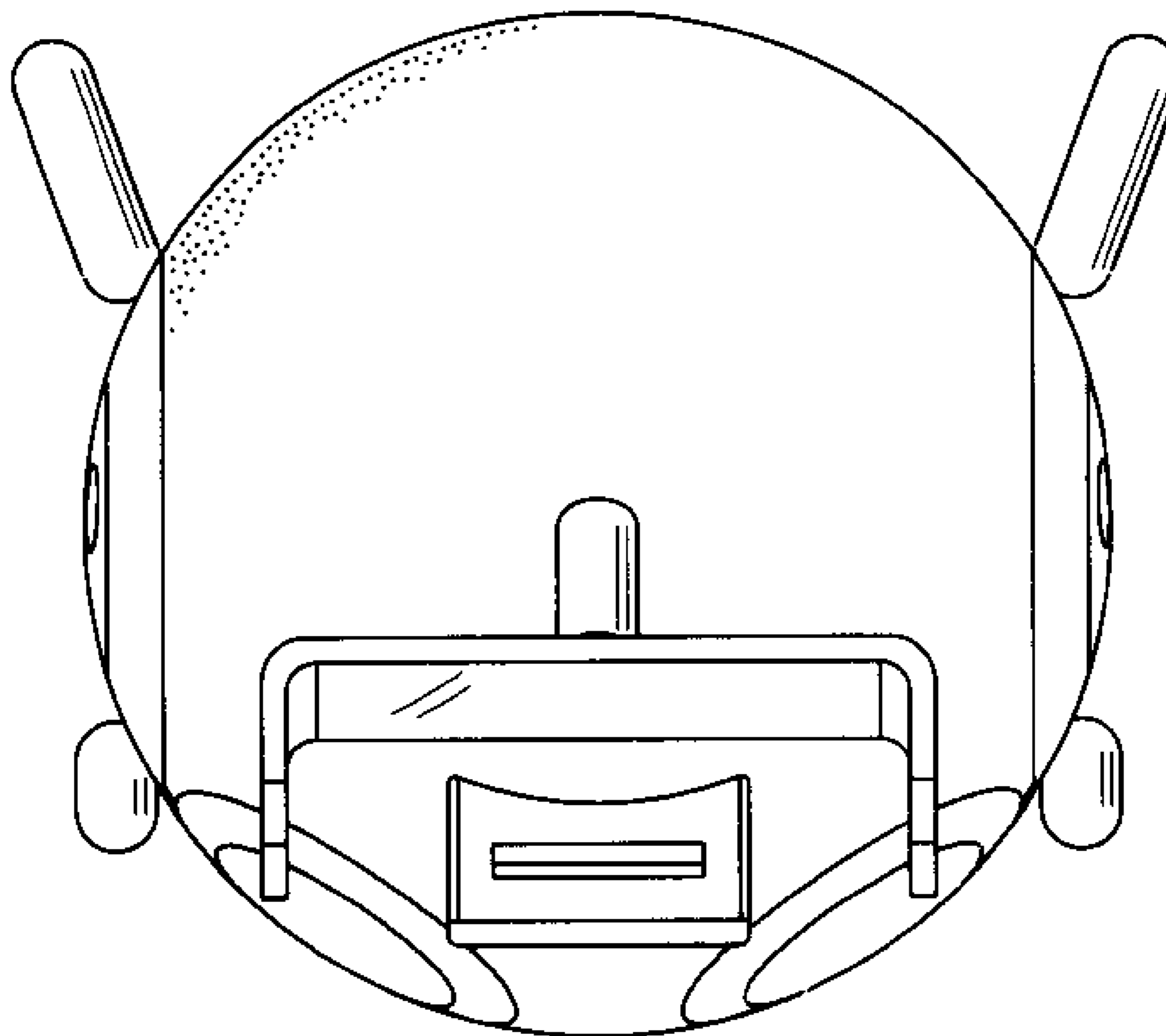
FIG. 1 is a top plan view of a speaker with holder showing my new design;

FIG. 2 is a perspective view thereof;

FIG. 3 is a front view thereof; and,

FIG. 4 is a left side view thereof.

**1 Claim, 1 Drawing Sheet**



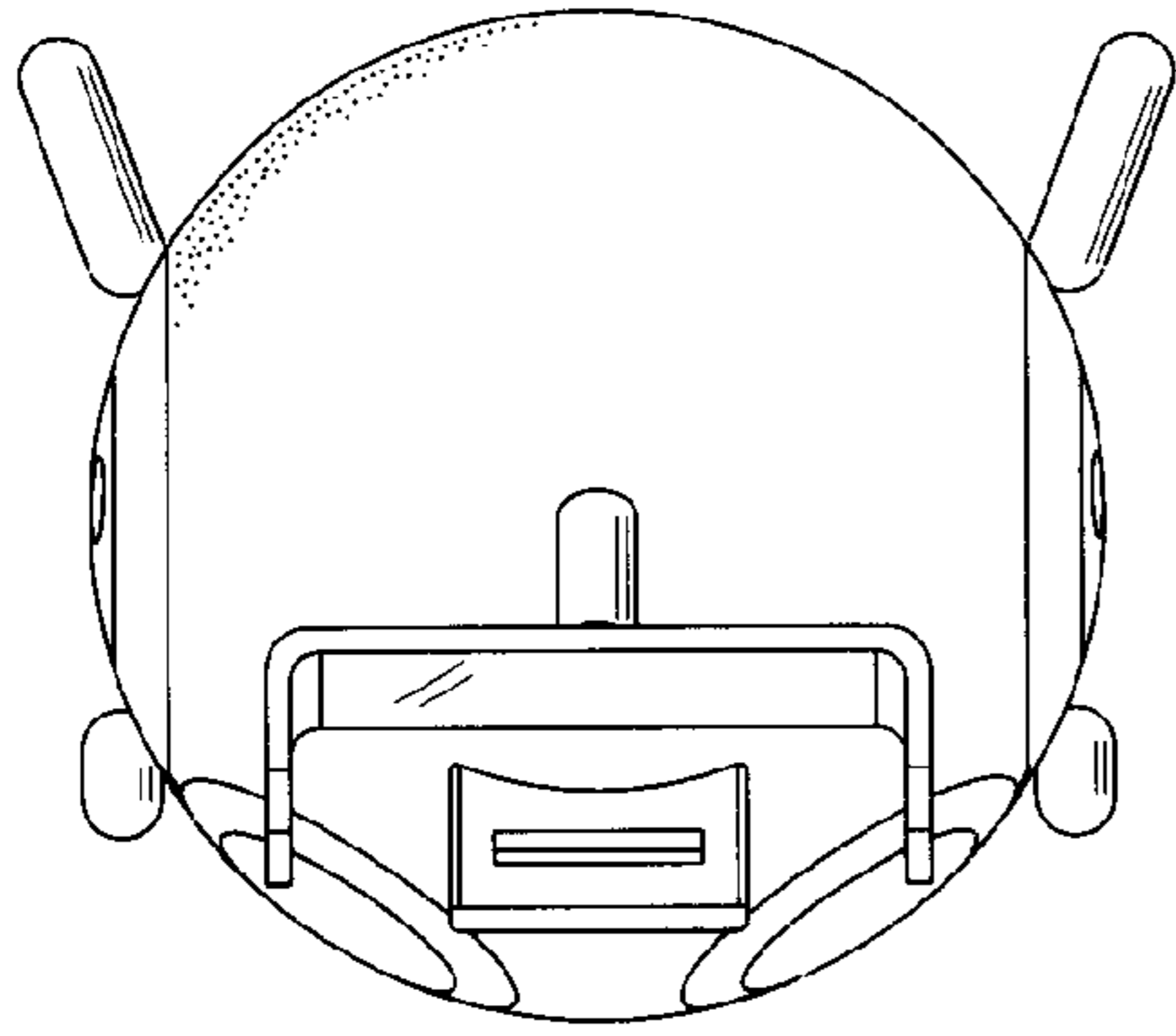


Fig. 1

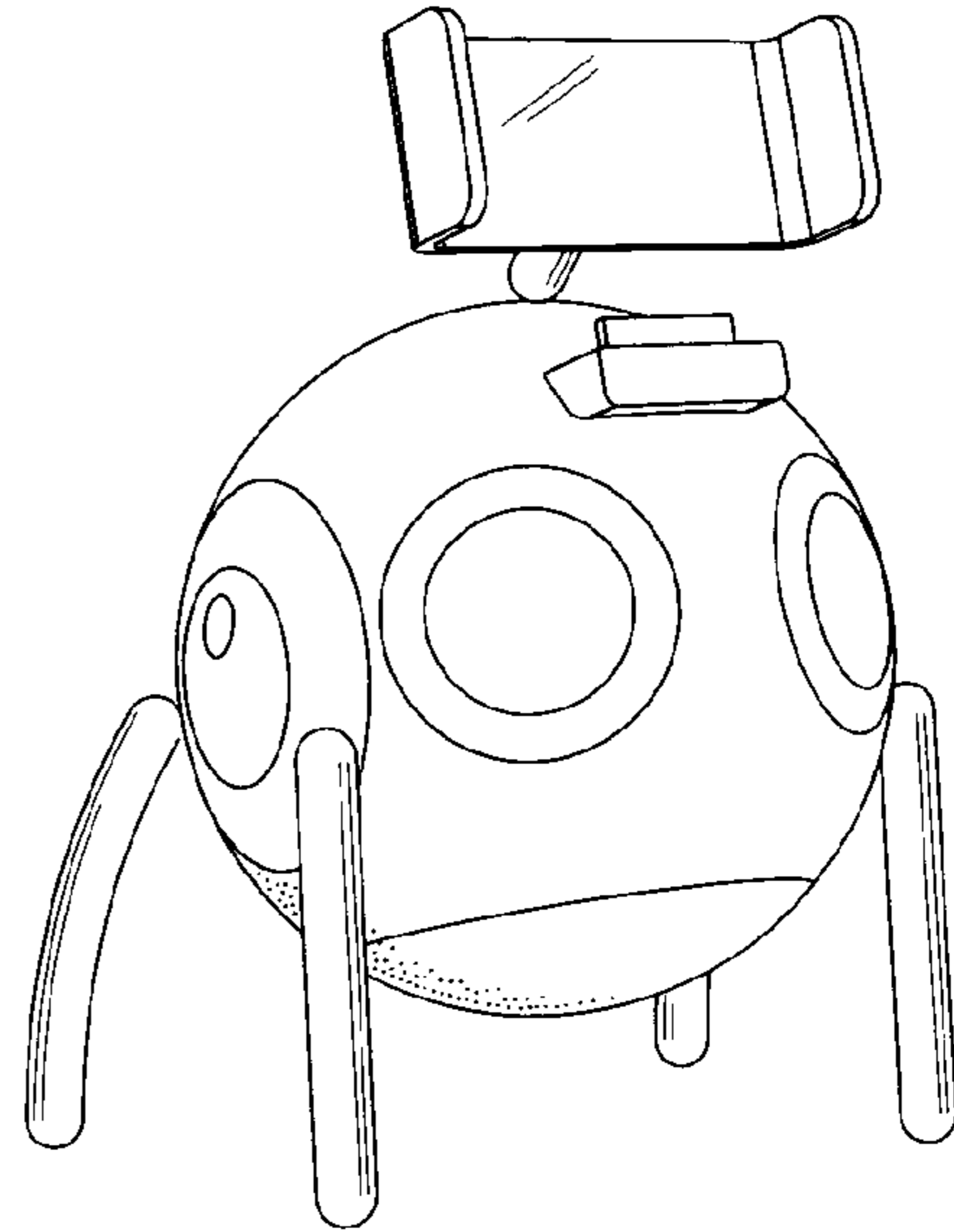


Fig. 2

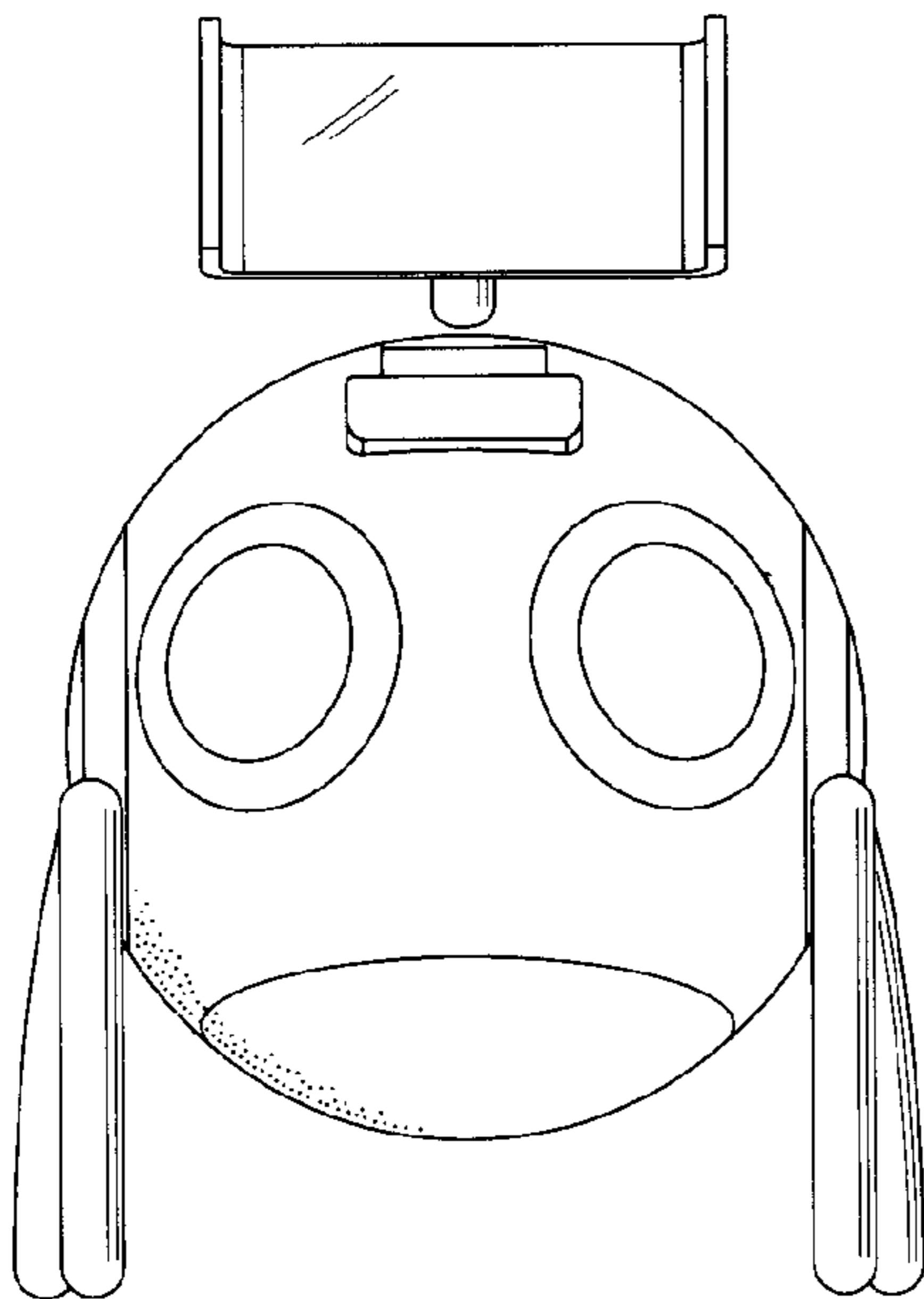


Fig. 3

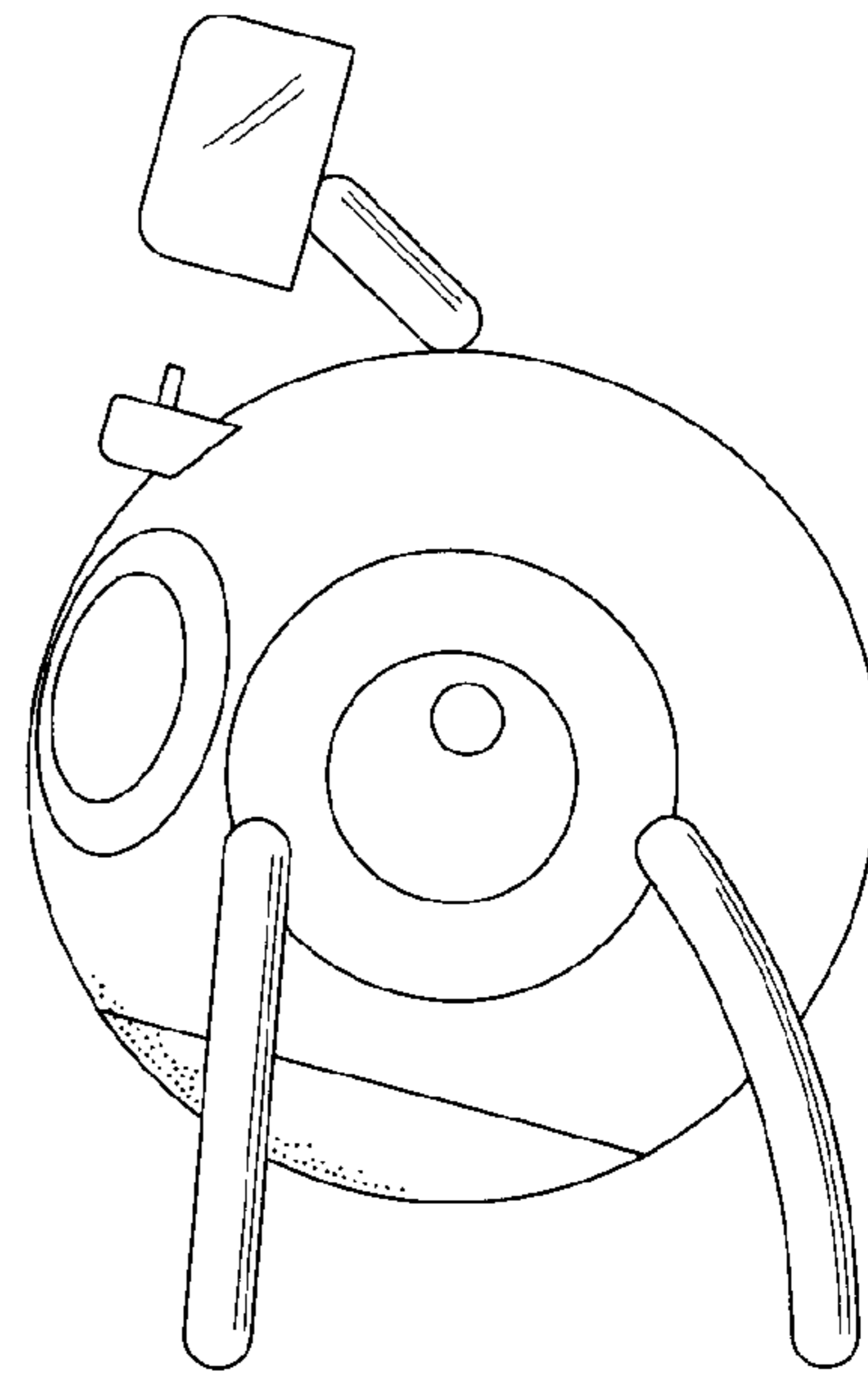


Fig. 4