



US00D528101S

(12) **United States Design Patent**
Yoshihara

(10) **Patent No.:** **US D528,101 S**

(45) **Date of Patent:** **** Sep. 12, 2006**

(54) **DIGITAL DISC PLAYER**

(75) Inventor: **Keiichiro Yoshihara**, Tokyo (JP)

(73) Assignee: **Clarion Co., Ltd.**, Tokyo (JP)

(**) Term: **14 Years**

(21) Appl. No.: **29/220,182**

(22) Filed: **Dec. 28, 2004**

(30) **Foreign Application Priority Data**

Dec. 3, 2004 (JP) 2004-037134

(51) **LOC (8) Cl.** **14-01**

(52) **U.S. Cl.** **D14/157**

(58) **Field of Classification Search** D14/135-136,
D14/156-157, 160-165, 167-168, 192-198,
D14/188, 217, 257, 258, 445; 360/99.02,
360/99.07; 369/75.11, 75.21, 77.21, 77.11;
720/612, 619, 647, 655; 455/344, 347-351
See application file for complete search history.

(56) **References Cited**

U.S. PATENT DOCUMENTS

D313,023 S * 12/1990 Kolenda et al. D14/258

D351,167 S * 10/1994 Yun D14/156

5,363,122 A * 11/1994 Suenaga et al. 345/212

5,477,432 A * 12/1995 Magic et al. D14/258

5,862,468 A * 1/1999 Kim 455/348

D483,731 S * 12/2003 Yoshihara D14/157

D496,930 S * 10/2004 Yoshihara D14/258

* cited by examiner

Primary Examiner—Nanda Bondade

(74) *Attorney, Agent, or Firm*—Chapman and Cutler LLP

(57) **CLAIM**

The ornamental design for the digital disc player, as shown and described.

DESCRIPTION

FIG. 1 is a front elevational view of the digital disc player showing my new design;

FIG. 2 is a rear elevational view thereof;

FIG. 3 is a left side elevational view thereof;

FIG. 4 is a right side elevational view thereof;

FIG. 5 is a top plan view thereof;

FIG. 6 is a bottom plan view thereof;

FIG. 7 is a sectional view thereof, taken along line 7—7 on FIG 1; and,

FIG. 8 is a perspective view thereof.

1 Claim, 3 Drawing Sheets

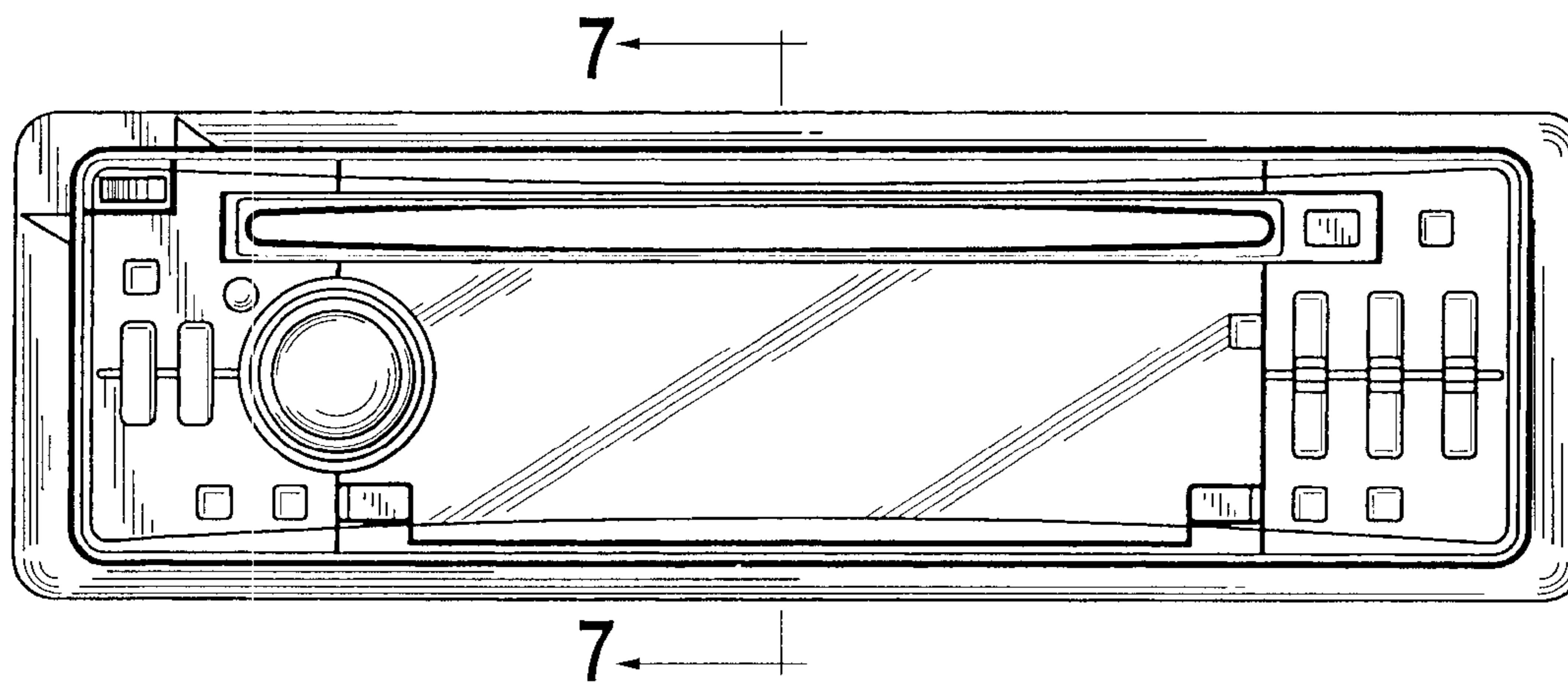


Fig. 1

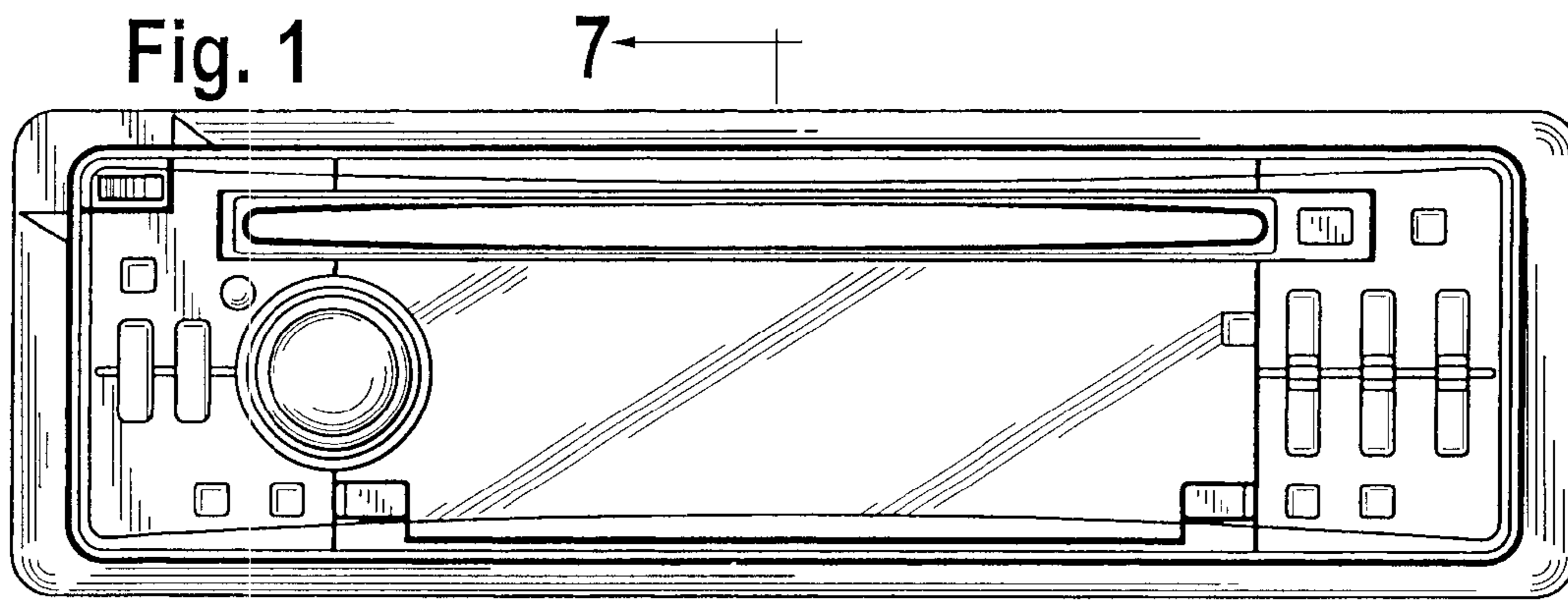


Fig. 2

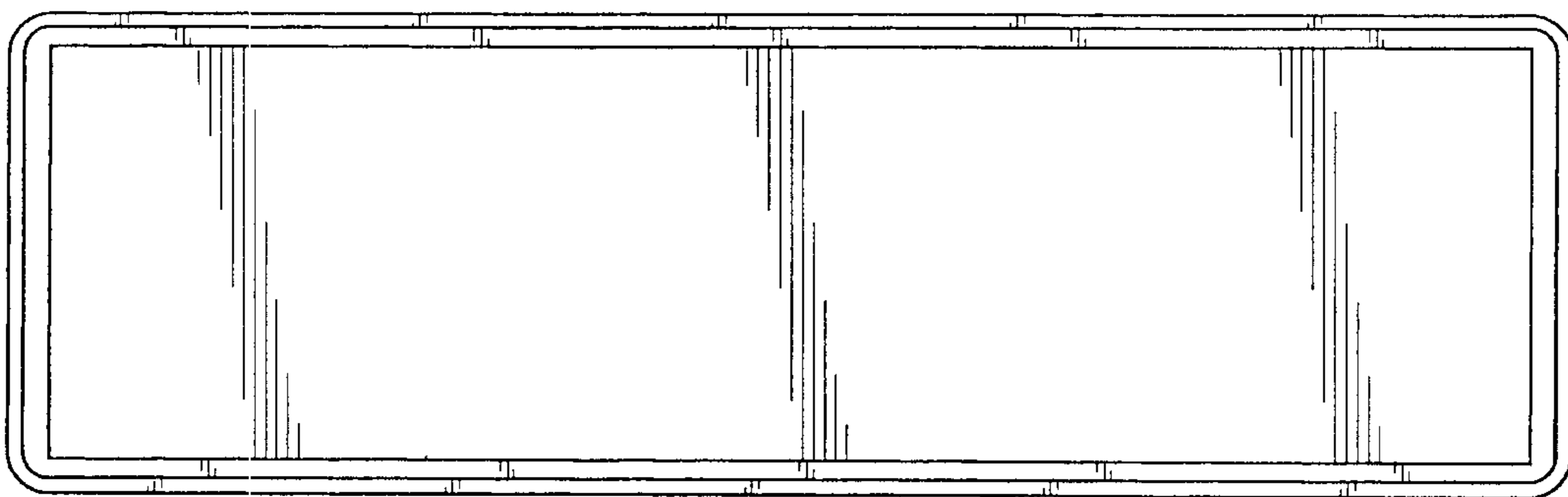


Fig. 3

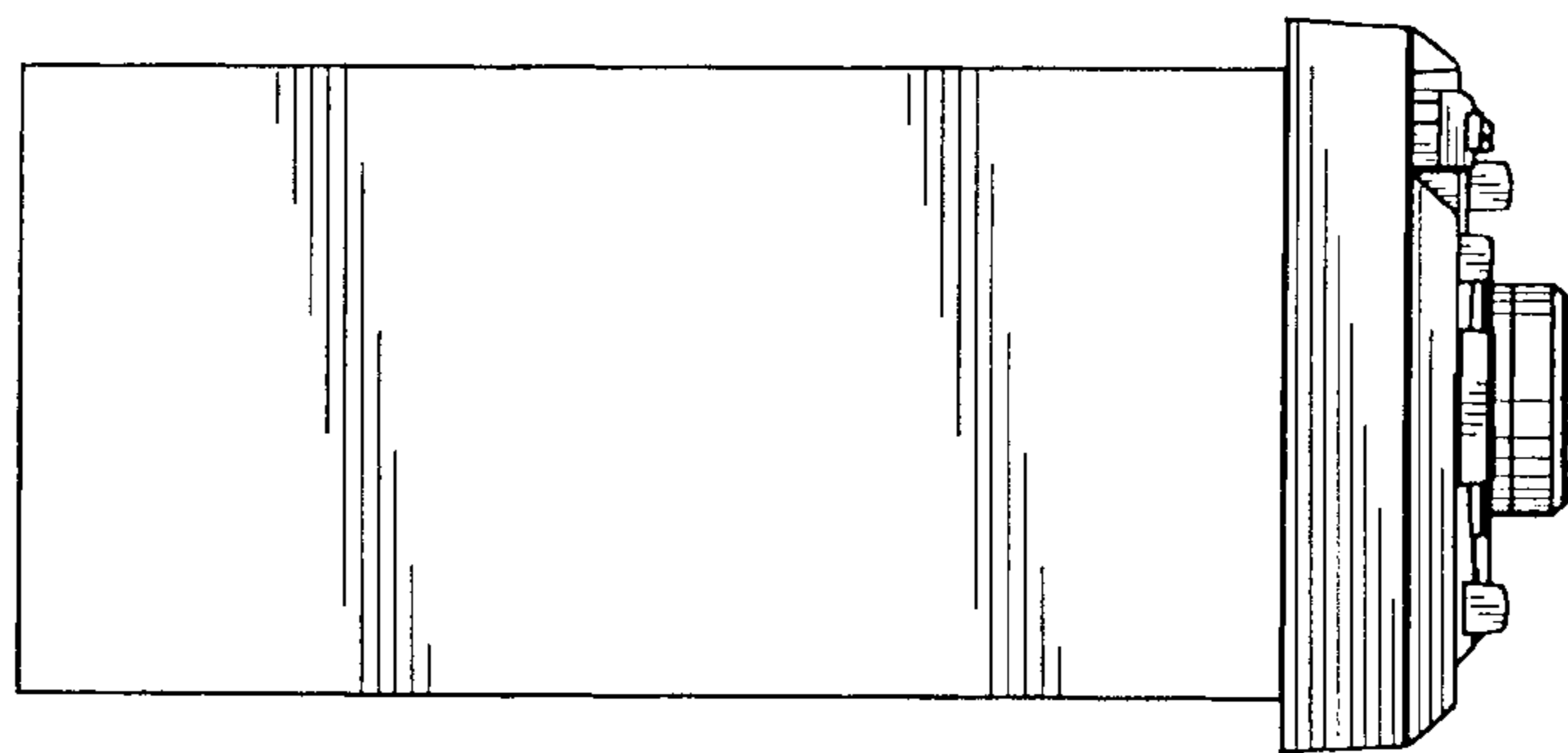


Fig. 4

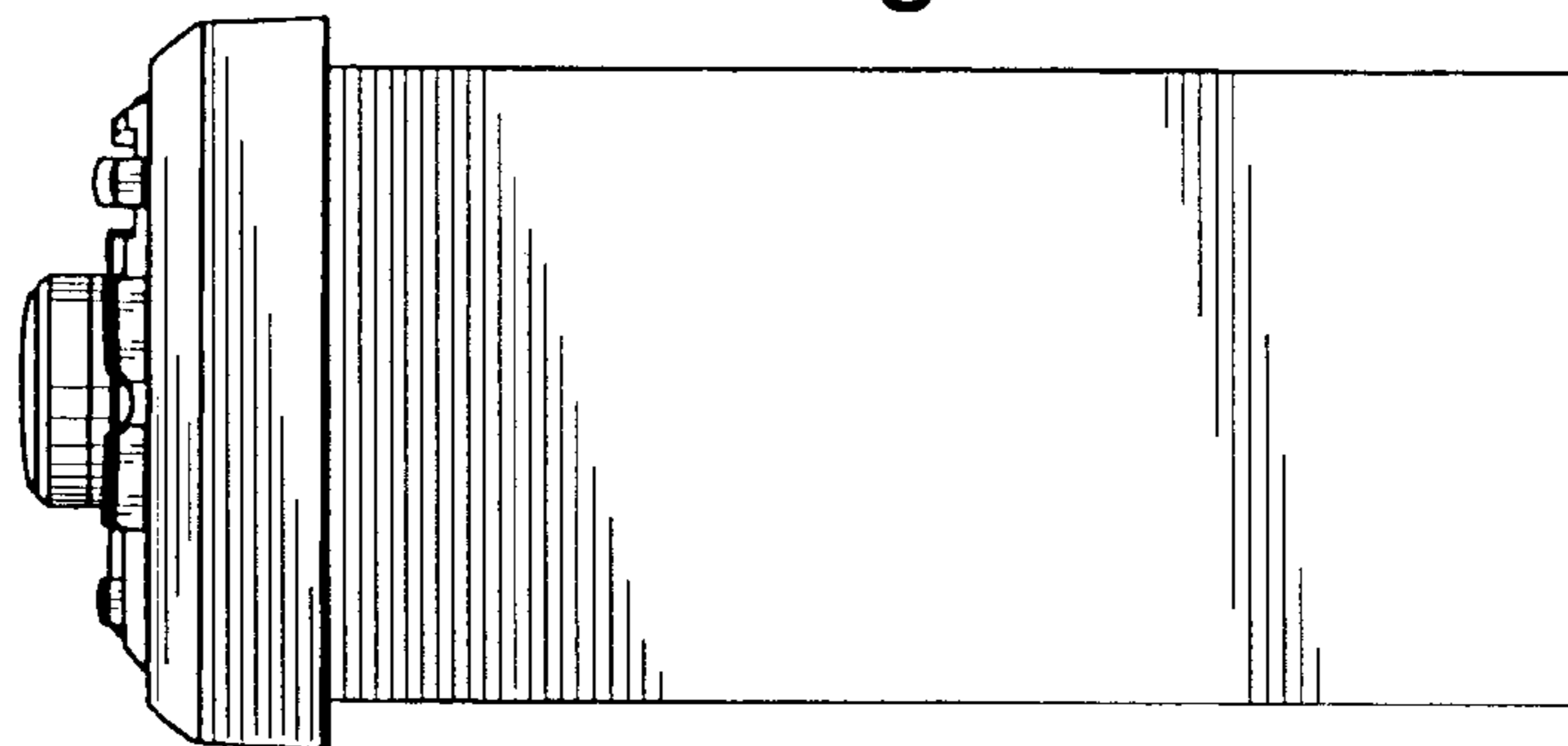


Fig. 5



Fig. 6

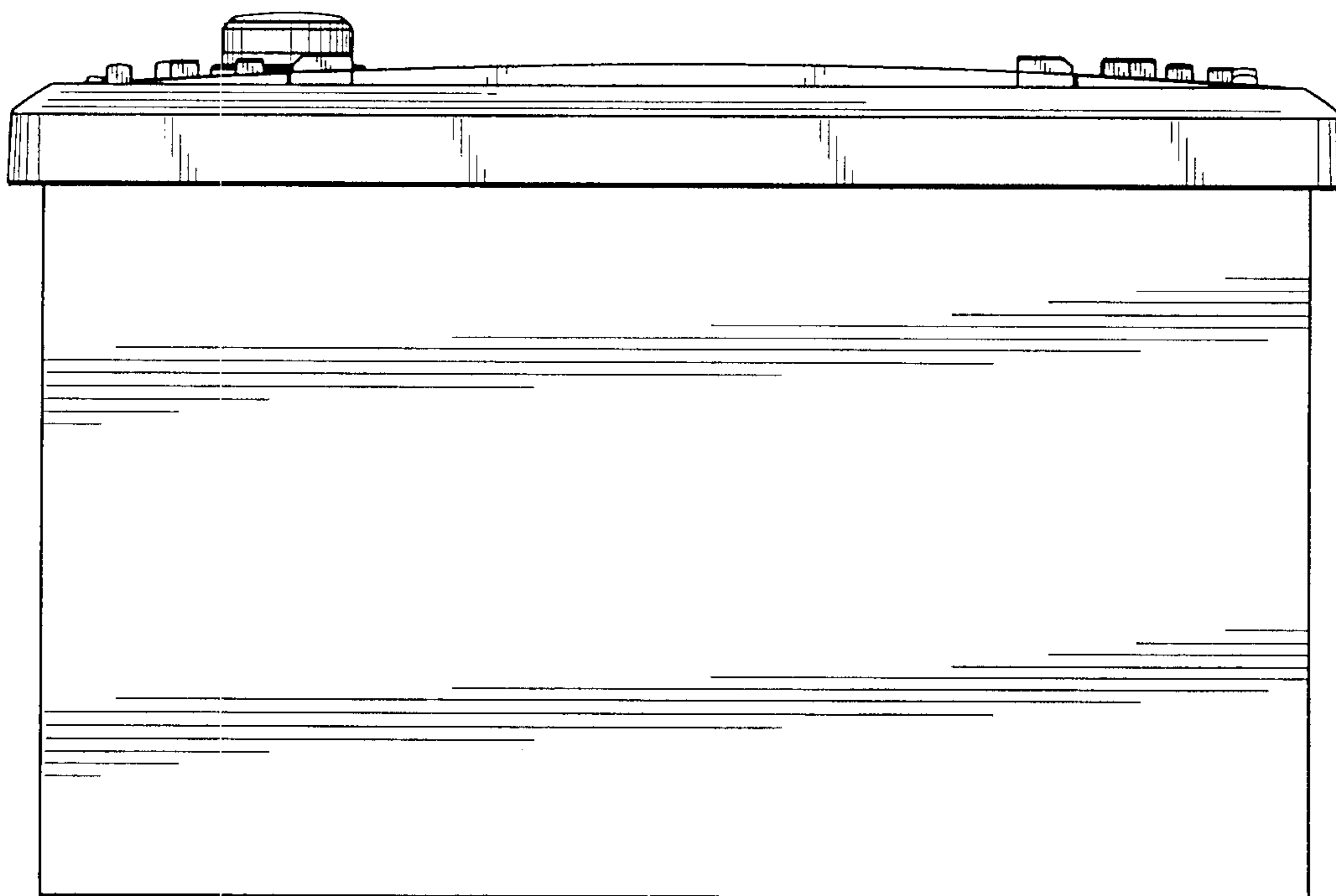


Fig. 7

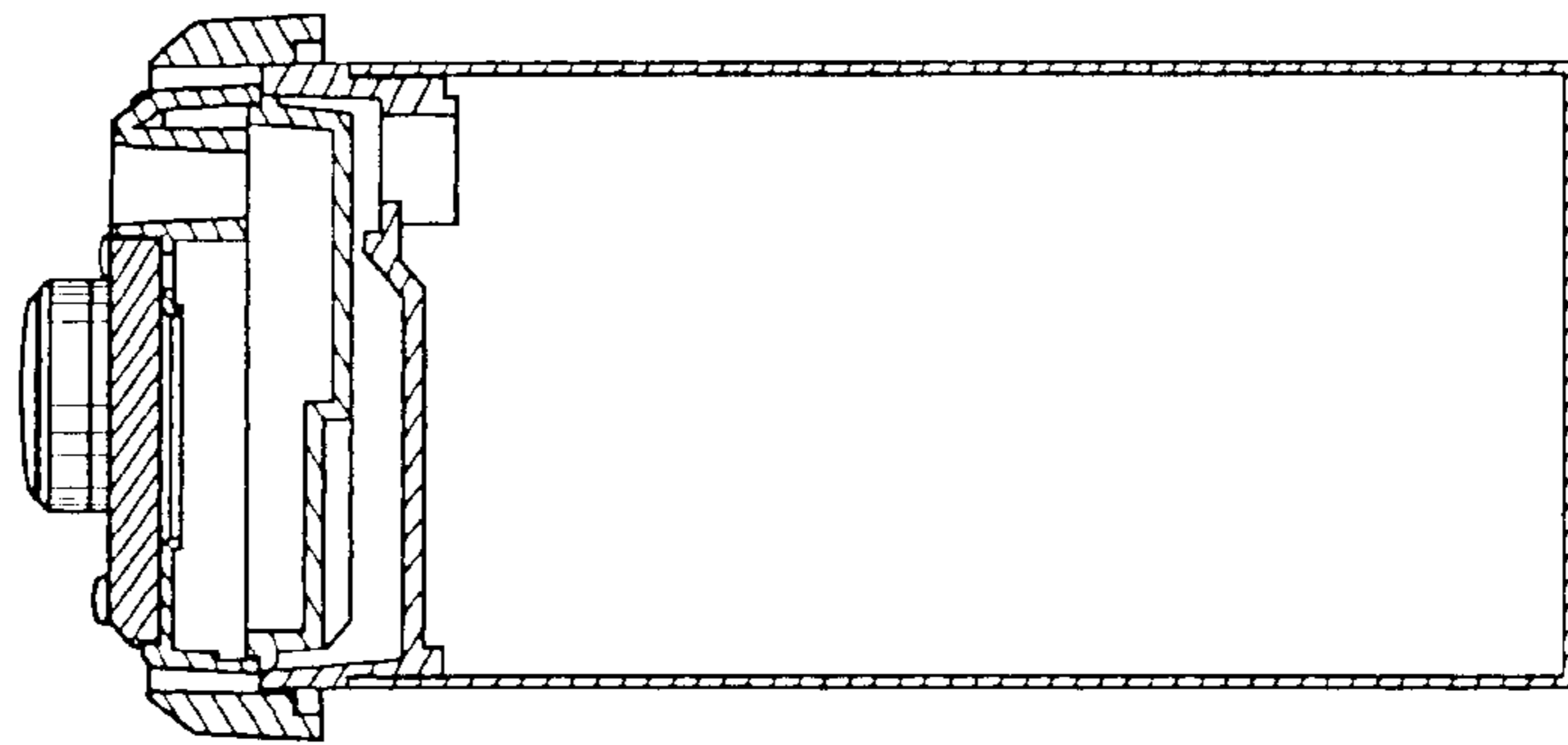


Fig. 8

