



US00D528100S

(12) **United States Design Patent**
Suzuki

(10) **Patent No.:** **US D528,100 S**

(45) **Date of Patent:** **** Sep. 12, 2006**

(54) **DISC PLAYER**

(75) Inventor: **Satoshi Suzuki**, Tokyo (JP)

(73) Assignee: **Sony Corporation**, Tokyo (JP)

(**) Term: **14 Years**

(21) Appl. No.: **29/231,507**

(22) Filed: **Jun. 7, 2005**

(30) **Foreign Application Priority Data**

Mar. 4, 2005 (JP) D2005-006385

(51) **LOC (8) Cl.** **14-01**

(52) **U.S. Cl.** **D14/156**

(58) **Field of Classification Search** D14/156-157,
D14/160-165, 167-168, 192, 217; 360/99.02,
360/99.07; 369/75.11, 75.21, 77.21, 77.11;
720/612, 619, 647, 655; 455/344, 347-351
See application file for complete search history.

(56) **References Cited**

U.S. PATENT DOCUMENTS

D451,080 S	*	11/2001	Kataoka	D14/156
D471,528 S	*	3/2003	Wada et al.	D14/156
D474,757 S		5/2003	Takagi		
D475,035 S	*	5/2003	Takagi	D14/156
D482,672 S		11/2003	Takagi		
D503,701 S		4/2005	Suzuki		
D504,123 S		4/2005	Katsuraku		

OTHER PUBLICATIONS

Web page “Sony eCatalog, D-FJ87” <http://www.ecat.sony.co.jp/audio/walkman/acc/index.cfm?PD=13358&KM=D-FJ87>, 1 sheet, Sony (Feb. 2005).

Web page “Sony eCatalog, D-NE1” <http://www.ecat.sony.co.jp/audio/walkman/products.index.cfm?PD=13277&KM=D-NE1>, 1 sheet, Sony (Feb. 2005).

Web page “Sony eCatalog, D-EJ785” <http://www.ecat.sony.co.jp/audio/walkman/acc/index.cfm?PD=11000&KM=D-EJ785>, 1 sheet, Sony (Feb. 2005).

Web page “Philips AX2330” <http://www.pricerunner.co.uk/sound-and-vision/personal-audio/personal-cdplayers/222797/pric...>, 2 sheets, Pricerunner AB (Feb. 2005).

Web page “Panasonic ideas for life, SL-CT710” <http://www2.panasonic.com/webapp/wcs/stores/servlet/vModel-Detail?displayTab=O&storeId=11...>, 1 sheet, Matsushita Electric Ind. Co., Ltd. (Feb. 2005).

* cited by examiner

Primary Examiner—Nanda Bondade
(74) *Attorney, Agent, or Firm*—Rader, Fishman & Grauer PLLC

(57) **CLAIM**

The ornamental design for a disc player, as shown.

DESCRIPTION

FIG. 1 is a perspective view of a disc player showing my new design;

FIG. 2 is a front elevational view thereof;

FIG. 3 is a rear elevational view thereof;

FIG. 4 is a left side elevational view thereof;

FIG. 5 is a right side elevational view thereof;

FIG. 6 is a top plan view thereof; and,

FIG. 7 is a bottom plan view thereof.

1 Claim, 7 Drawing Sheets

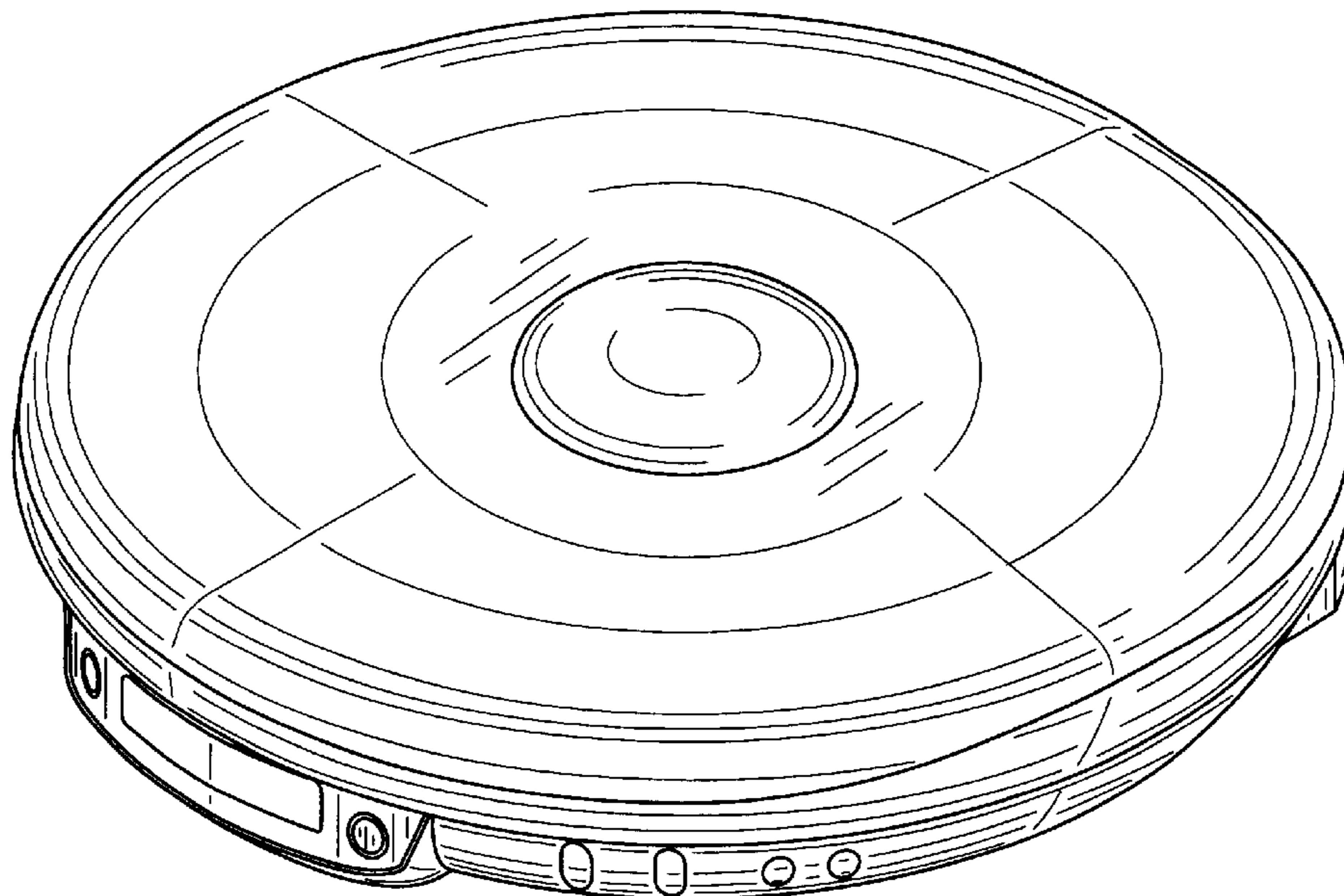


Fig. 1

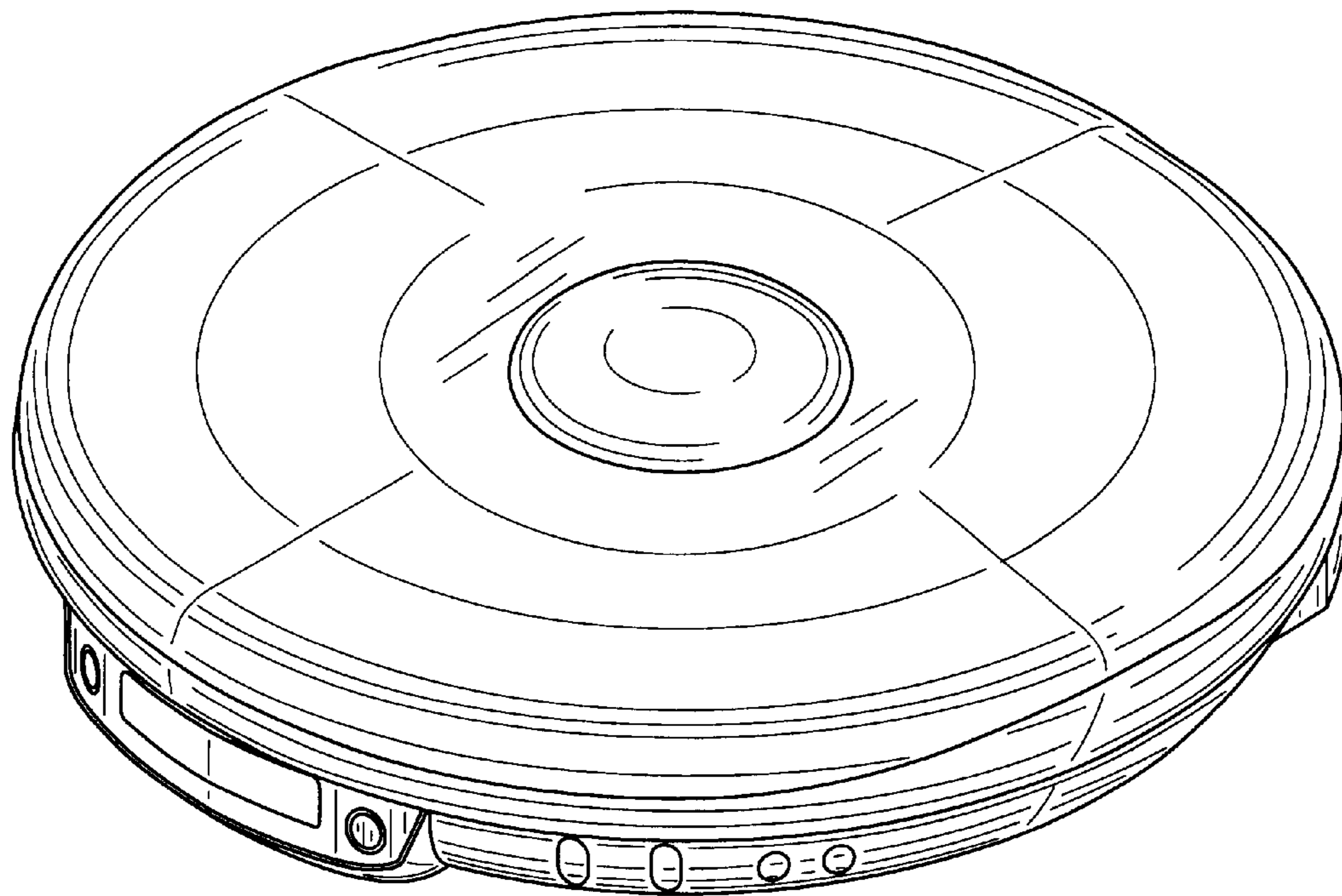


Fig.2

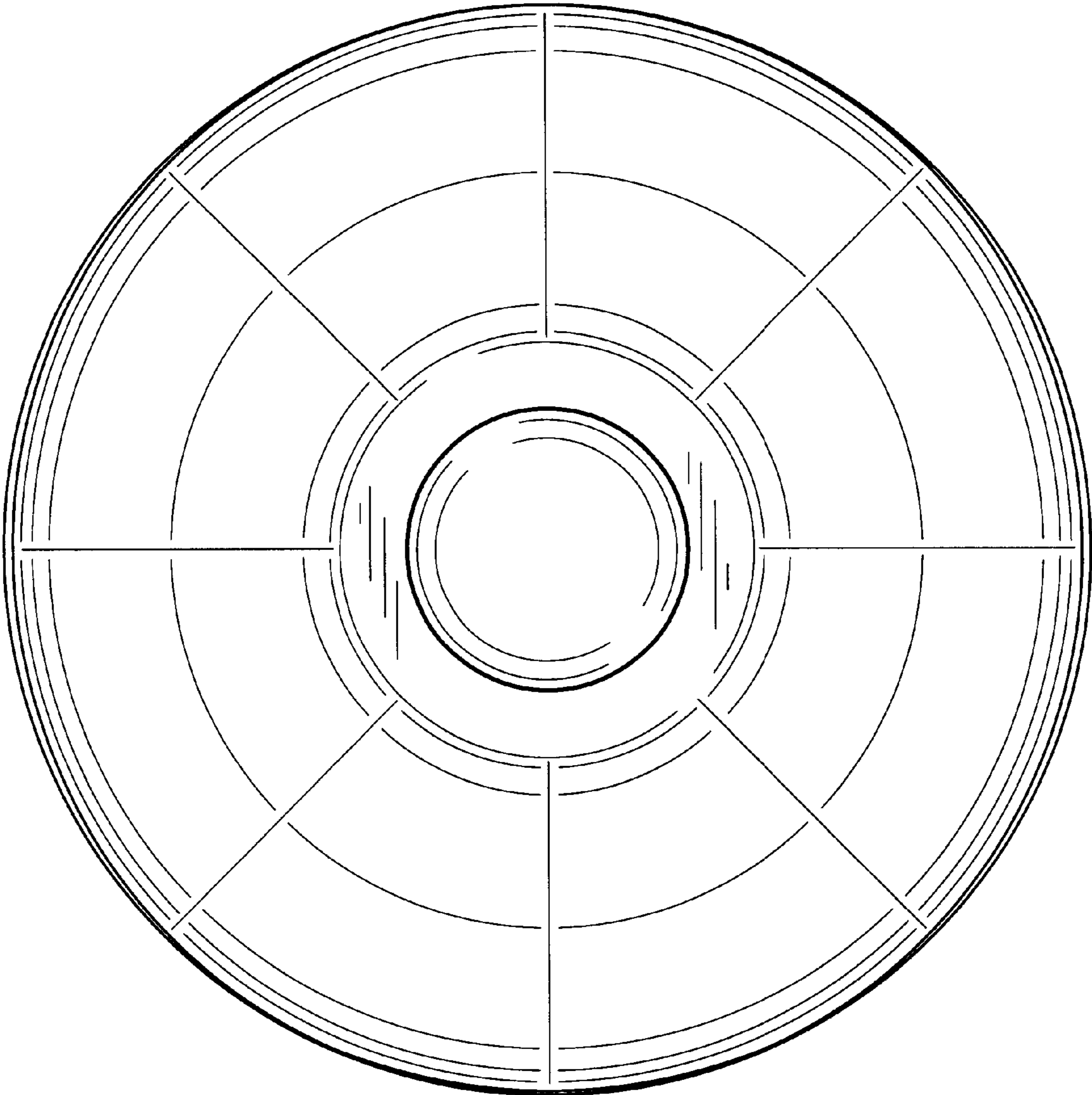


Fig.3

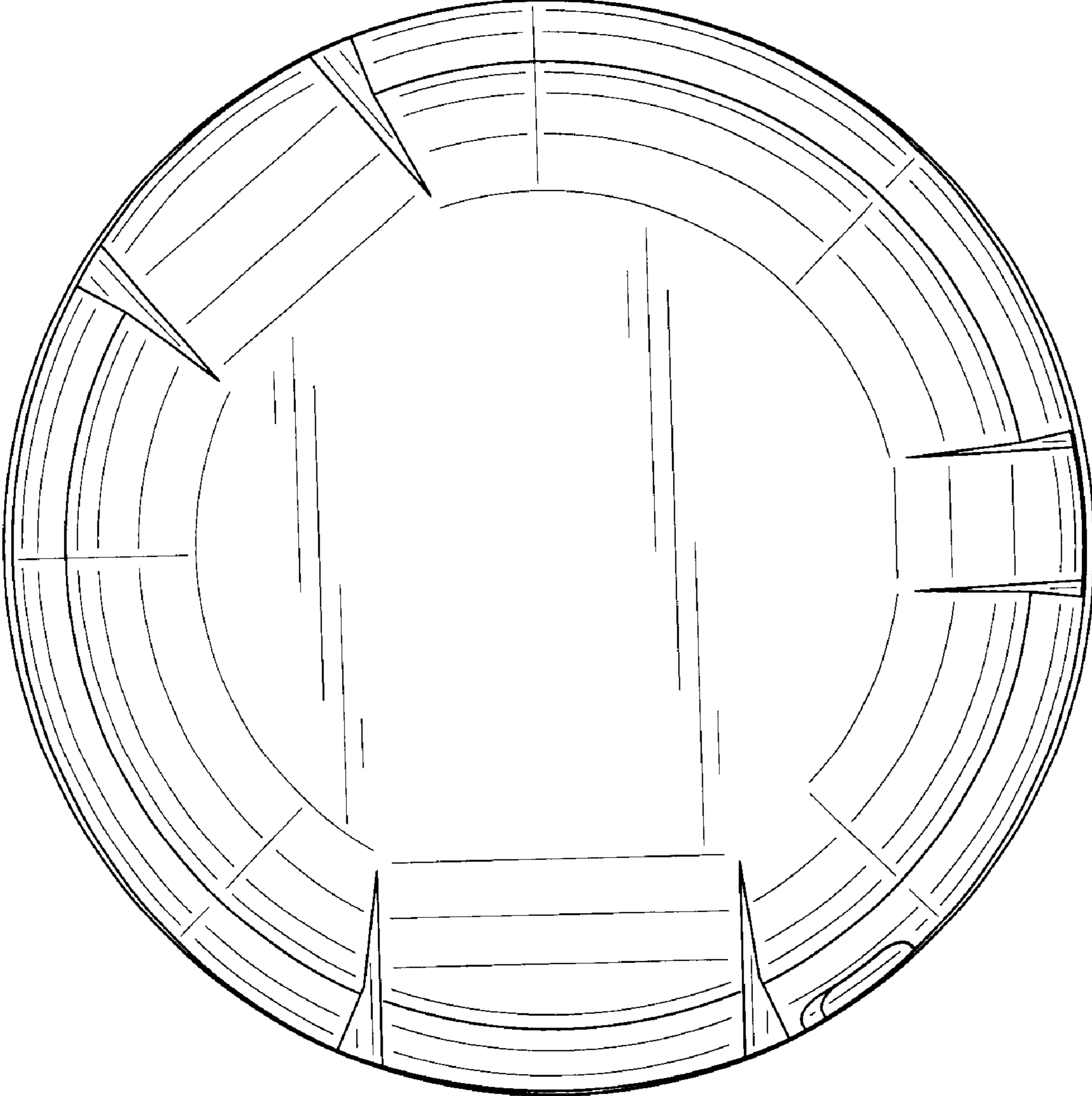


Fig.4

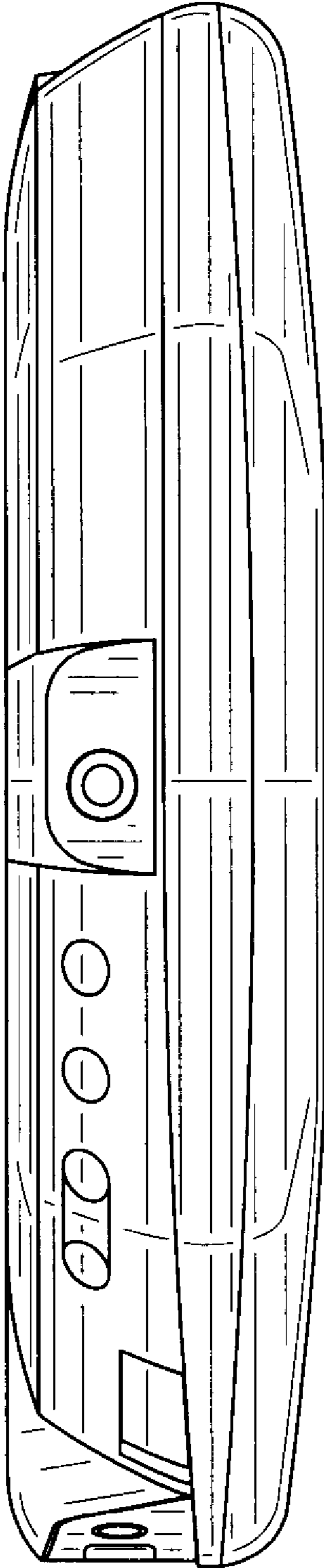


Fig.5

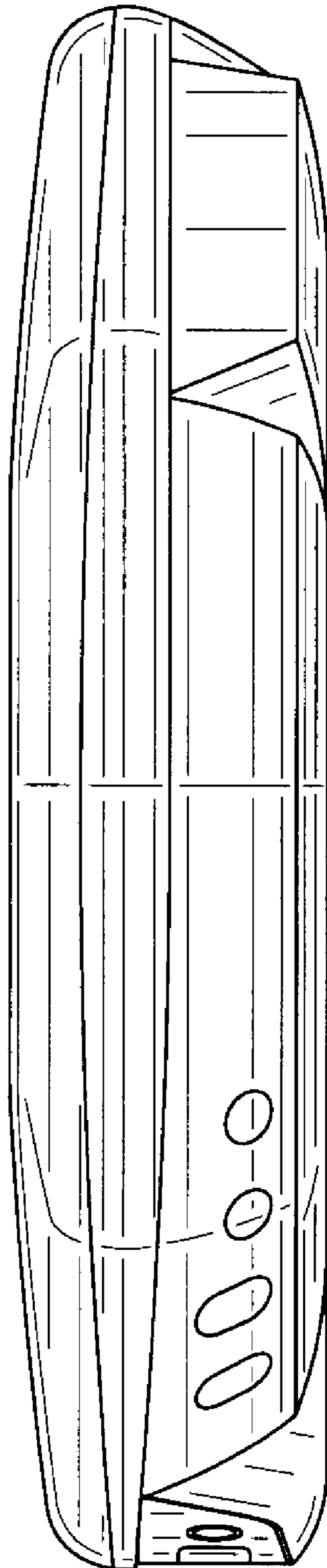


Fig.6

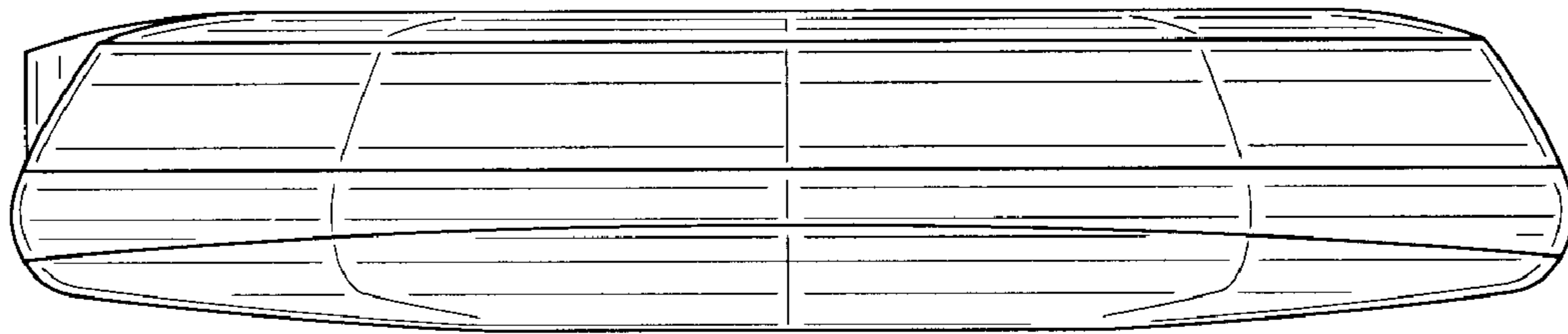


Fig.7

