



US00D528099S

(12) **United States Design Patent**
Riley et al.

(10) **Patent No.:** **US D528,099 S**

(45) **Date of Patent:** **** Sep. 12, 2006**

(54) **ROTARY TOOL**

(75) Inventors: **Jonathan G. Riley**, Chicago, IL (US);
David Pozgay, Evanston, IL (US);
Bradley Wolf, Glenview, IL (US);
Ernest Fischer, Skokie, IL (US); **Jason**
S. Lind, Barkhamsted, CT (US)

(73) Assignee: **Credo Technology Corporation**,
Broadview, IL (US)

(**) Term: **14 Years**

(21) Appl. No.: **29/213,990**

(22) Filed: **Sep. 24, 2004**

(51) **LOC (8) Cl.** **14-03**

(52) **U.S. Cl.** **D14/155**

(58) **Field of Classification Search** D8/69,
D8/68, 67, 66, 64, 61, 70; 83/698.41, 747;
81/57.11, 474; 173/170, 217, 168, 169
See application file for complete search history.

(56) **References Cited**

U.S. PATENT DOCUMENTS

D364,790	S	*	12/1995	Duennes	D8/61
5,829,931	A	*	11/1998	Doumani	409/182
D437,757	S	*	2/2001	Thomson et al.	D8/61
D438,076	S	*	2/2001	Wikle et al.	D8/61
D439,122	S	*	3/2001	Adler et al.	D8/61
D446,100	S	*	8/2001	Heun	D8/61
D447,028	S	*	8/2001	Wikle et al.	D8/61

D447,030	S	*	8/2001	Chen	D8/61
D470,735	S	*	2/2003	Heun	D8/61
D471,781	S	*	3/2003	Heun	D8/61
D473,119	S	*	4/2003	Evans	D8/61
D477,203	S	*	7/2003	Heun	D8/61
D477,758	S	*	7/2003	Chunn et al.	D8/64
D481,919	S	*	11/2003	Sham et al.	D8/64
D484,763	S	*	1/2004	Sham et al.	D8/64
6,886,643	B1	*	5/2005	Riley et al.	173/29

* cited by examiner

Primary Examiner—Cathron C. Brooks

Assistant Examiner—Austin Murphy

(74) *Attorney, Agent, or Firm*—Victor A. Hënzi

(57) **CLAIM**

The ornamental design for a rotary tool, as shown and described.

DESCRIPTION

FIG. 1 is a front right perspective view of the present new design for a rotary tool;
FIG. 2 is a front elevational view thereof;
FIG. 3 is a right elevational view thereof;
FIG. 4 is a left elevational view thereof;
FIG. 5 is a rear elevational view thereof;
FIG. 6 is a top plan view thereof; and,
FIG. 7 is a bottom plan view thereof.

The broken lines showing various features of a rotary tool are for illustrative purposes only and form no part of the claimed design.

1 Claim, 6 Drawing Sheets

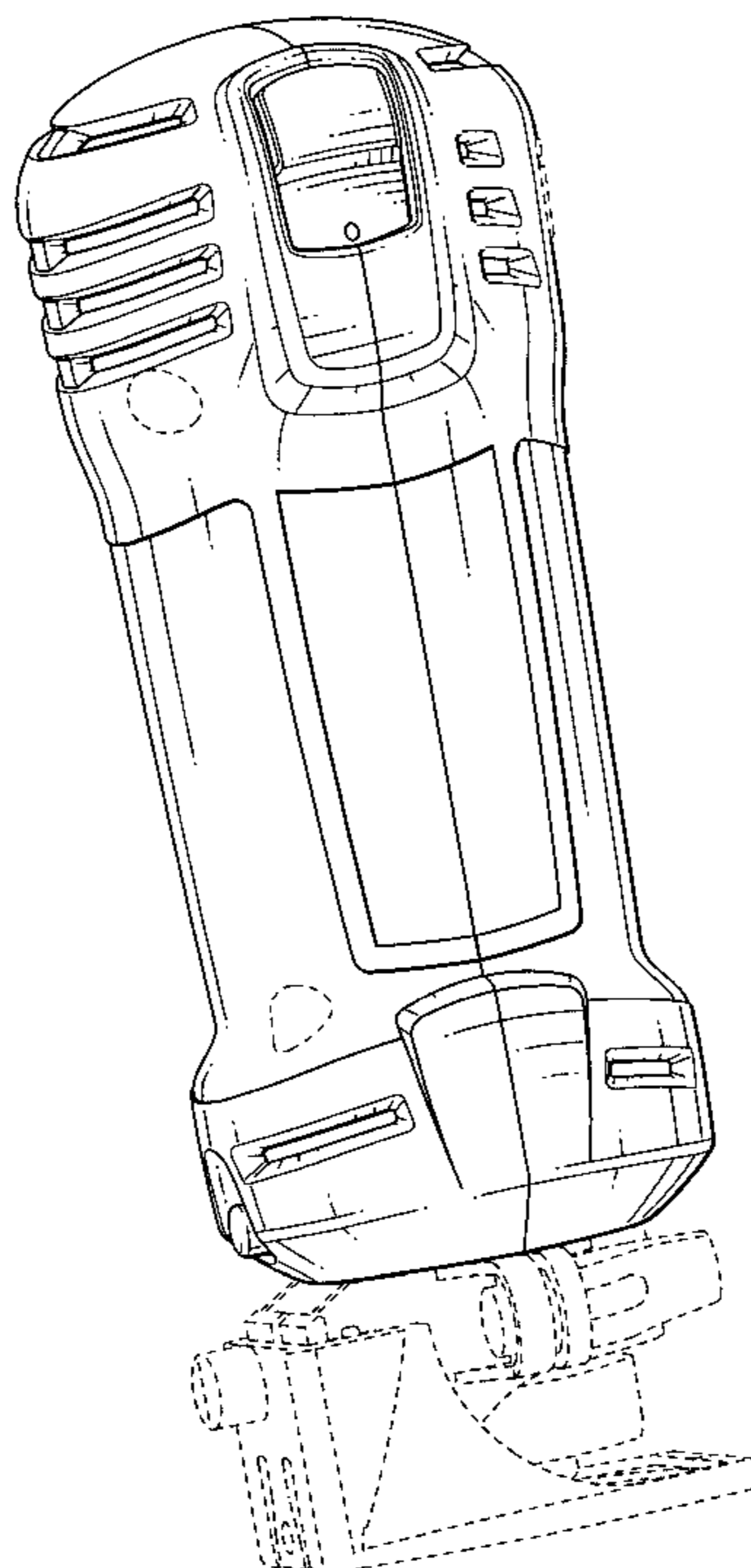
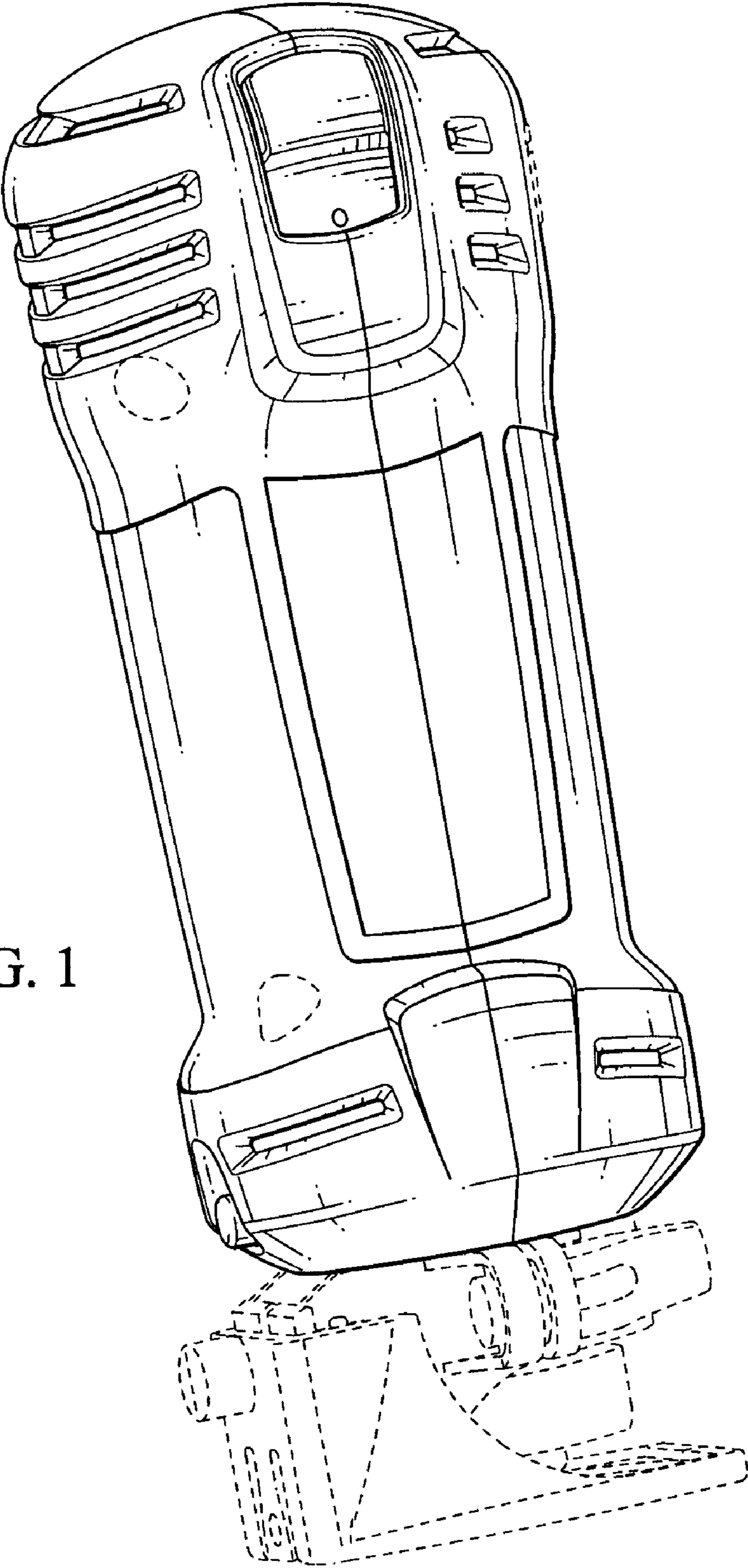


FIG. 1



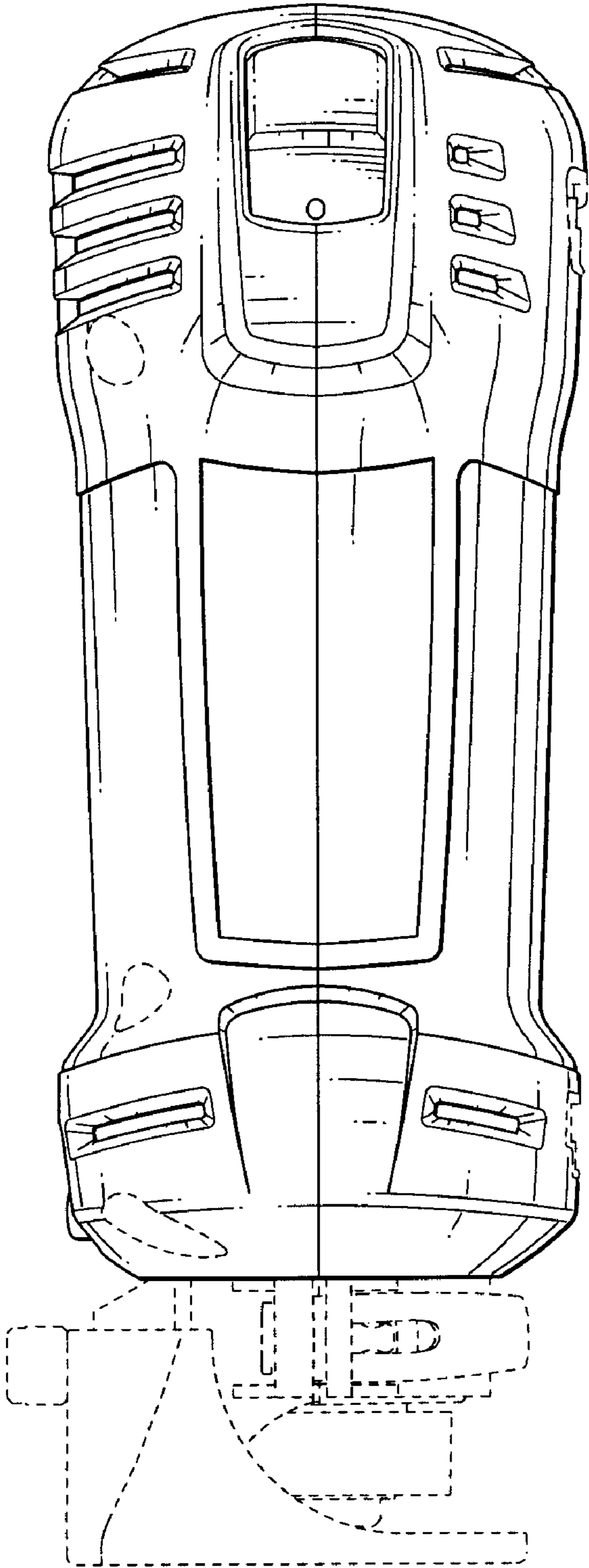


FIG. 2

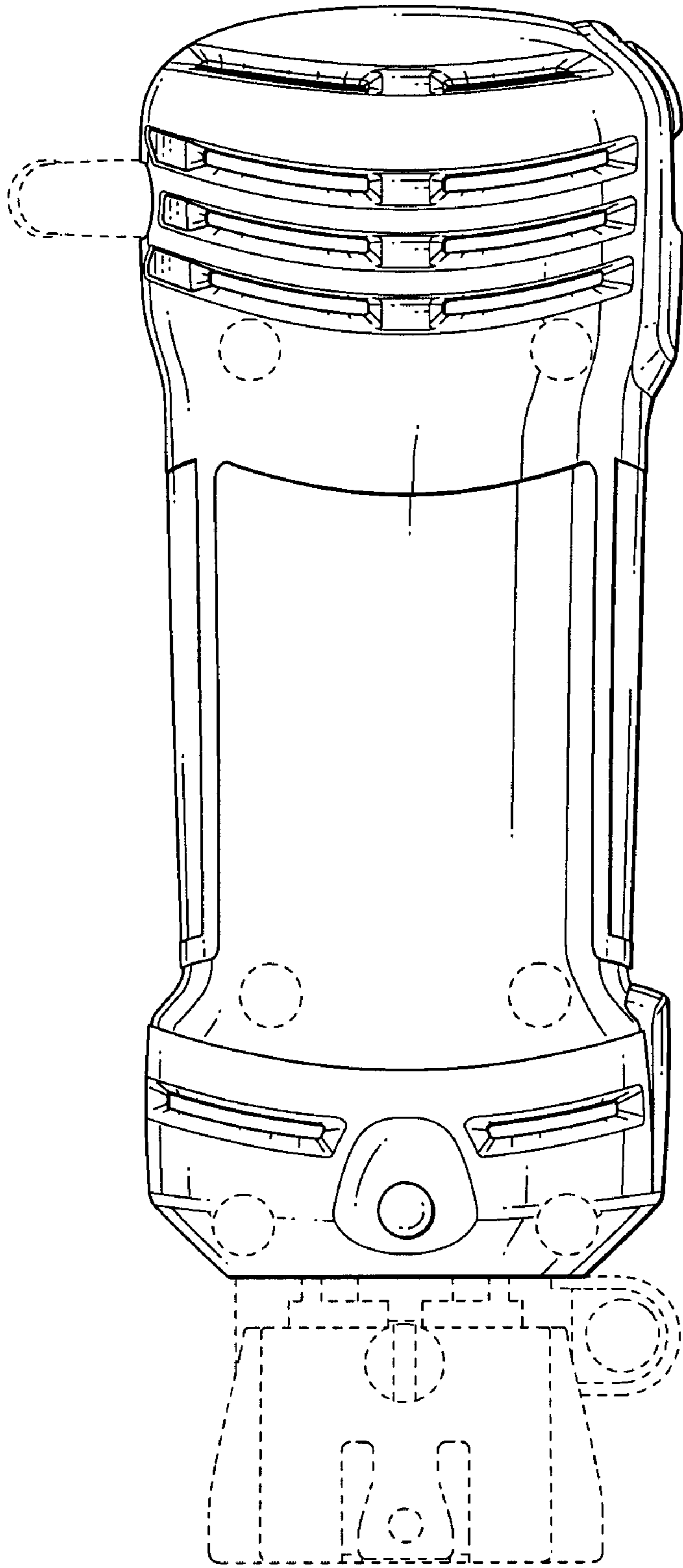


FIG. 3

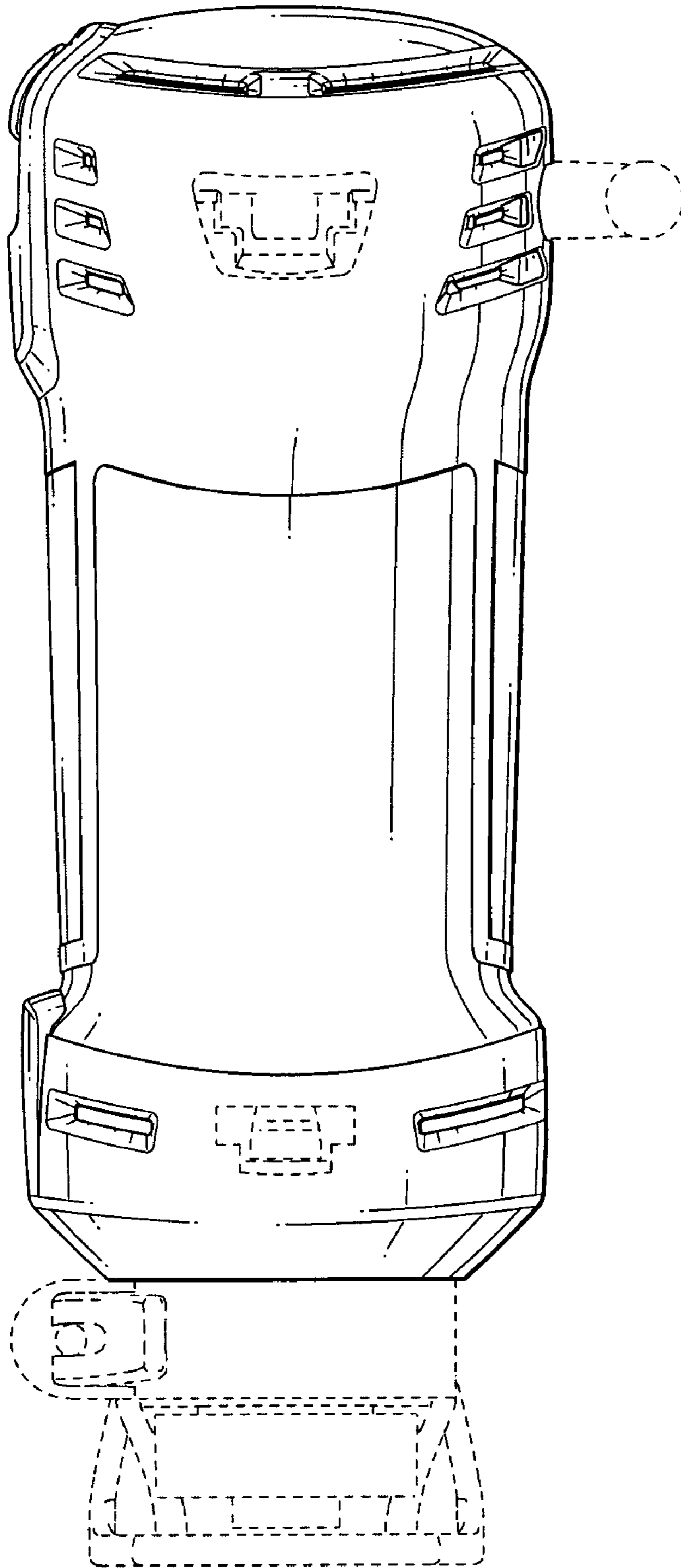


FIG. 4

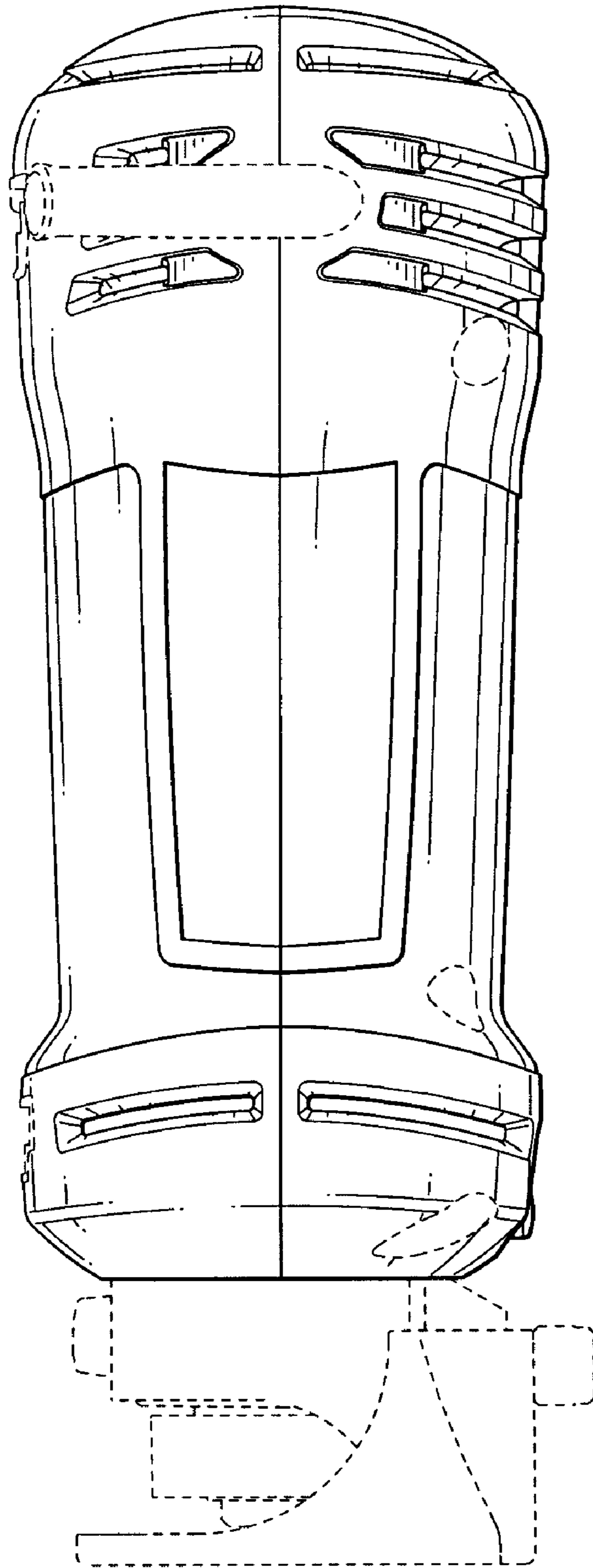


FIG. 5

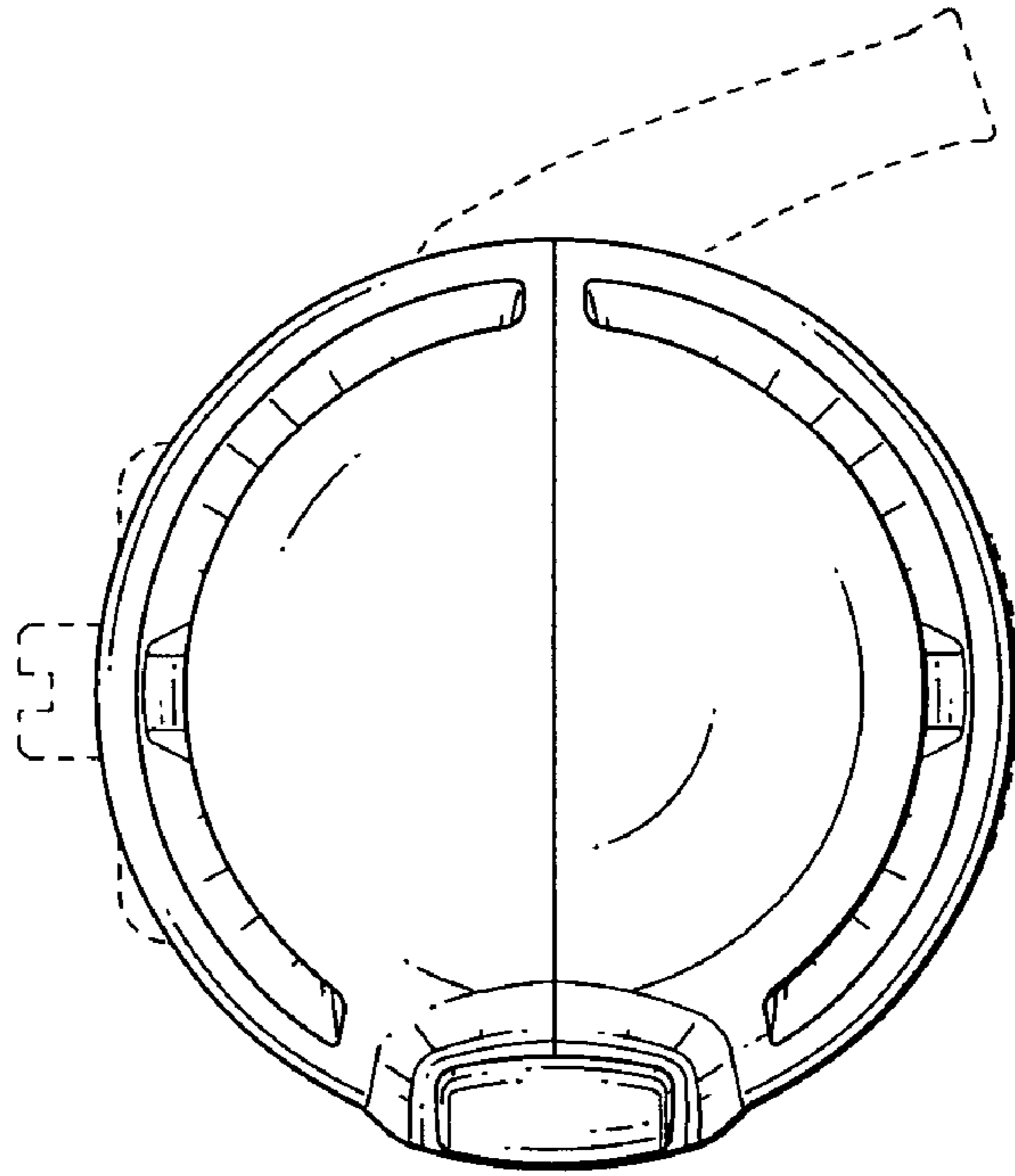


FIG. 6

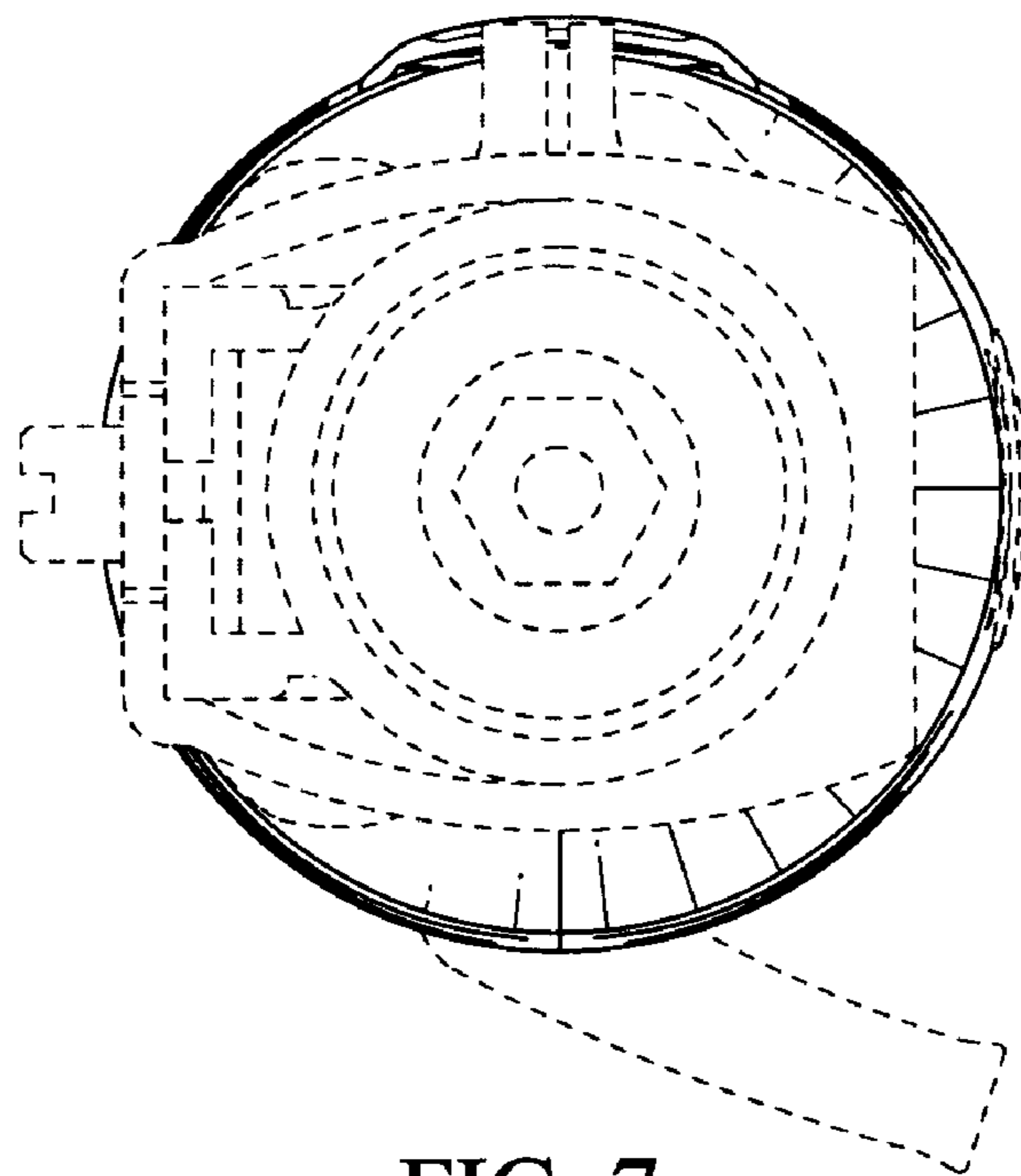


FIG. 7