



US00D528091S

(12) **United States Design Patent** (10) **Patent No.:** **US D528,091 S**  
**Kim et al.** (45) **Date of Patent:** **\*\* \*Sep. 12, 2006**

(54) **PORTABLE TELEPHONE**

(75) Inventors: **Nam-Su Kim**, Seoul (KR); **Min-Hyoun Lee**, Seoul (KR); **Nam-Mi Kim**, Seoul (KR); **Chang-Hwan Hwang**, Seoul (KR)

(73) Assignee: **Samsung Electronics Co., Ltd.**, Kyunggi-do (KR)

(\*) Notice: This patent is subject to a terminal disclaimer.

(\*\*) Term: **14 Years**

(21) Appl. No.: **29/226,474**

(22) Filed: **Mar. 29, 2005**

(51) **LOC (8) Cl.** ..... **14-03**

(52) **U.S. Cl.** ..... **D14/138**

(58) **Field of Classification Search** ..... D14/137, D14/138, 147-148, 247-248, 144, 341-347; 379/433.01-433.13, 434; D21/517; 455/575.3, 455/566, 575.1; 345/169; 348/376, 14.02

See application file for complete search history.

(56) **References Cited**

**U.S. PATENT DOCUMENTS**

5,027,394 A	6/1991	Ono et al.
5,428,350 A	6/1995	Kurcbart et al.
5,436,954 A	7/1995	Nishiyama et al.
D407,716 S	4/1999	Park
D407,717 S	4/1999	Kim
D407,718 S	4/1999	Lee
D410,920 S	6/1999	Lee et al.
D411,537 S	6/1999	Lee
D414,765 S	10/1999	Park
D415,151 S	10/1999	Kim

(Continued)

**FOREIGN PATENT DOCUMENTS**

JP	D1154363	9/2002
JP	1155098	* 10/2002

**OTHER PUBLICATIONS**

- U.S. Appl. No. 29/204,878, Applicant: Bum-Soo Park, et al., filed May 5, 2004 entitled Portable Telephone.
- U.S. Appl. No. 29/204,882, Applicant: Jin-Soo Kim, et al., filed May 5, 2004 entitled Portable Telephone.
- U.S. Appl. No. 29/204,874, Applicant: Jin-Soo Kim, et al., filed May 5, 2004 entitled Portable Telephone.
- U.S. Appl. No. 29/204,875, Applicant: Jin-Soo Kim, et al., filed May 5, 2004 entitled Portable Telephone.
- U.S. Appl. No. 29/204,883, Applicant: Jin-Soo Kim, et al., filed May 5, 2004 entitled Portable Telephone.
- U.S. Appl. No. 29/205,555, Applicant: Chi-Young Ahn, et al., filed May 17, 2004 entitled Portable Telephone.
- U.S. Appl. No. 29/205,559, Applicant: Chi-Young Ahn, et al., filed May 17, 2004 entitled Portable Telephone.
- U.S. Appl. No. 29/205,546, Applicant: Chi-Young Ahn, et al., filed May 17, 2004 entitled Portable Telephone.
- U.S. Appl. No. 29/214,253, Applicant: Hye-Jeong Lee, et al., filed Sep. 27, 2004 entitled Portable Telephone.
- U.S. Appl. No. 29/216,563, Applicant: Jin-Soo Kim, et al., filed Nov. 4, 2004 entitled Portable Telephone.

(Continued)

*Primary Examiner*—Jeffrey Asch  
(74) *Attorney, Agent, or Firm*—Fynn, Thiel, Boutell & Tanis, P.C.

(57) **CLAIM**

The ornamental design for a portable telephone, as shown and described.

**DESCRIPTION**

FIG. 1 is a top front perspective view of a portable telephone showing our new design.

FIG. 2 is a front elevational view thereof.

FIG. 3 is a rear elevational view thereof.

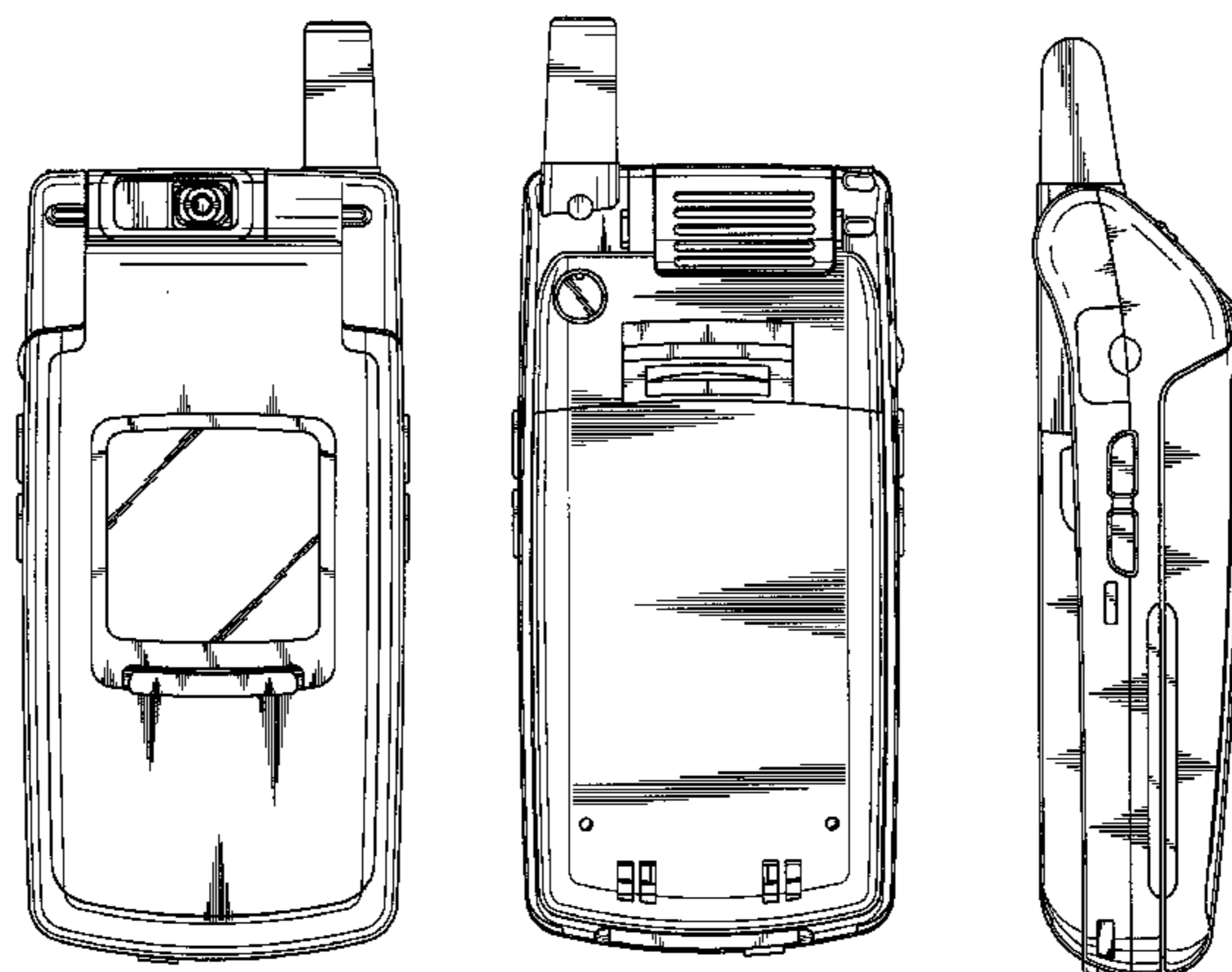
FIG. 4 is a left side elevational view thereof.

FIG. 5 is a right side elevational view thereof.

FIG. 6 is a top plan view thereof; and,

FIG. 7 is a bottom plan view thereof.

**1 Claim, 5 Drawing Sheets**



U.S. PATENT DOCUMENTS

D415,488 S 10/1999 Lee  
 6,069,648 A 5/2000 Suso et al.  
 D431,827 S 10/2000 Yim  
 D445,412 S \* 7/2001 Lee et al. .... D14/138  
 D451,485 S \* 12/2001 Moss ..... D14/138  
 6,389,267 B1 5/2002 Imai  
 6,396,924 B1 5/2002 Suso et al.  
 D458,594 S 6/2002 Jang  
 D477,293 S 7/2003 Hwang  
 D484,862 S 1/2004 Yang  
 D484,863 S 1/2004 Chan  
 D485,249 S 1/2004 Liao et al.  
 D485,818 S 1/2004 Yabe et al.  
 D486,811 S 2/2004 Lheem  
 D487,443 S 3/2004 Yoon  
 D487,444 S 3/2004 Yoon  
 D488,453 S 4/2004 Chang et al.  
 D489,698 S 5/2004 Kim et al.  
 D489,699 S 5/2004 Hwang et al.  
 D490,389 S 5/2004 Yang  
 D491,547 S \* 6/2004 Cho ..... D14/138  
 D491,906 S 6/2004 Okamatsu  
 D491,907 S 6/2004 Ogawa  
 D492,656 S \* 7/2004 Lee ..... D14/138  
 D493,439 S 7/2004 Hong et al.  
 D493,440 S 7/2004 Chou et al.  
 D495,672 S 9/2004 Jeon et al.  
 D495,674 S 9/2004 Yoo et al.  
 D496,016 S \* 9/2004 Hoo ..... D14/138  
 D496,020 S 9/2004 Lee  
 D496,021 S 9/2004 Jang  
 D500,481 S \* 1/2005 Kim et al. .... D14/138  
 D500,993 S 1/2005 Hwang  
 D500,994 S \* 1/2005 Lee et al. .... D14/138  
 D501,457 S \* 2/2005 Lee et al. .... D14/138  
 D501,458 S 2/2005 Kim et al.  
 D501,658 S 2/2005 Park et al.  
 D501,837 S 2/2005 Kim et al.  
 D501,838 S 2/2005 Kim et al.  
 D501,839 S \* 2/2005 Lee et al. .... D14/138  
 D502,161 S 2/2005 Kim et al.  
 D502,457 S \* 3/2005 Eigenstetter et al. .... D14/138  
 D502,458 S \* 3/2005 Chung et al. .... D14/138  
 D502,459 S \* 3/2005 Lee et al. .... D14/138  
 D503,164 S 3/2005 Park et al.  
 D504,406 S 4/2005 Cho et al.  
 D505,125 S \* 5/2005 Ahn et al. .... D14/138  
 D506,454 S 6/2005 Kim et al.  
 D506,738 S 6/2005 Kim et al.  
 D507,252 S 7/2005 Kim et al.  
 D507,556 S \* 7/2005 Watanabe et al. .... D14/138  
 D507,787 S \* 7/2005 Ahn et al. .... D14/138  
 D508,035 S \* 8/2005 Kim et al. .... D14/138  
 D508,036 S \* 8/2005 Wada ..... D14/138  
 D508,684 S \* 8/2005 Lee et al. .... D14/138  
 D509,495 S \* 9/2005 Ribeiro et al. .... D14/138  
 D509,816 S \* 9/2005 Kim et al. .... D14/138  
 D510,079 S \* 9/2005 Kim et al. .... D14/138  
 D510,733 S \* 10/2005 Lee et al. .... D14/138  
 2001/0036845 A1 11/2001 Park  
 2002/0051060 A1 \* 5/2002 Wada ..... 348/207  
 2002/0187818 A1 12/2002 Kang  
 2003/0109232 A1 6/2003 Park et al.  
 2003/0144036 A1 \* 7/2003 Ito ..... 455/566

2003/0153283 A1 \* 8/2003 Kuwazoe ..... 455/90  
 2003/0199290 A1 \* 10/2003 Viertola ..... 455/575.1  
 2004/0009790 A1 1/2004 Im  
 2004/0023684 A1 2/2004 Sato et al.  
 2004/0097258 A1 5/2004 Lee et al.  
 2004/0097262 A1 5/2004 Lee  
 2004/0106439 A1 \* 6/2004 Garroch ..... 455/566  
 2004/0110540 A1 \* 6/2004 Sato et al. .... 455/566  
 2004/0132513 A1 7/2004 Taneda et al.  
 2004/0142718 A1 7/2004 Kim  
 2004/0142734 A1 7/2004 Kim  
 2004/0203535 A1 \* 10/2004 Kim et al. .... 455/90.3  
 2005/0003852 A1 \* 1/2005 Song ..... 455/550.1

OTHER PUBLICATIONS

U.S. Appl. No. 29/226,417, Applicant: Jin-Soo Kim, et al., filed Mar. 29, 2005 entitled Portable Telephone.  
 U.S. Appl. No. 29/226,418, Applicant: Ji-Hyun Moon, et al., filed Mar. 29, 2005 entitled Portable Telephone.  
 U.S. Appl. No. 29/226,419, Applicant: Min-Ah Koh, et al., filed Mar. 29, 2005 entitled Portable Telephone.  
 U.S. Appl. No. 29/226,420, Applicant: Min-Hyouk Lee, et al., filed Mar. 29, 2005 entitled Portable Telephone.  
 U.S. Appl. No. 29/226,442, Applicant: Min-Hyouk Lee, et al., filed Mar. 29, 2005 entitled Portable Telephone.  
 U.S. Appl. No. 29/226,443, Applicant: Jin-Soo Kim, et al., filed Mar. 29, 2005 entitled Portable Telephone.  
 U.S. Appl. No. 29/226,470, Applicant: Nam-Su Kim, et al., filed Mar. 29, 2005 entitled Portable Telephone.  
 U.S. Appl. No. 29/226,460, Applicant: Nam-Su Kim, et al., filed Mar. 29, 2005 entitled Portable Telephone.  
 U.S. Appl. No. 29/226,461, Applicant: Joon-Ki Yun, et al., filed Mar. 29, 2005 entitled Portable Telephone.  
 U.S. Appl. No. 29/226,462, Applicant: Yu-Guen Kim, et al., filed Mar. 29, 2005 entitled Portable Telephone.  
 U.S. Appl. No. 29/226,463, Applicant: Jin-Soo Kim, et al., filed Mar. 29, 2005 entitled Portable Telephone.  
 U.S. Appl. No. 29/226,465, Applicant: Ki-Eon Lee, et al., filed Mar. 29, 2005 entitled Portable Telephone.  
 U.S. Appl. No. 29/226,464, Applicant: Joon-Ki Yun, et al., filed Mar. 29, 2005 entitled Portable Telephone.  
 U.S. Appl. No. 29/226,454, Applicant: Woo-Seung Han, et al., filed Mar. 29, 2005 entitled Portable Telephone.  
 U.S. Appl. No. 29/226,455, Applicant: Woo-Seung Han, et al., filed Mar. 29, 2005 entitled Portable Telephone.  
 U.S. Appl. No. 29/226,982, Applicant: Yu-Guen Kim, et al., filed Apr. 5, 2005 entitled Portable Telephone.  
 U.S. Appl. No. 29/226,990, Applicant: Yu-Guen Kim, et al., filed Apr. 5, 2005 entitled Portable Telephone.  
 U.S. Appl. No. 29/227,339, Applicant: Joon-Suh Kim, et al., filed Apr. 7, 2005 entitled Portable Telephone.  
 U.S. Appl. No. 29/227,338, Applicant: Joon-Suh Kim, et al., filed Apr. 7, 2005 entitled Portable Telephone.  
 U.S. Appl. No. 29/227,258, Applicant: Min-Ah Koh, et al., filed Apr. 8, 2005 entitled Portable Telephone.  
 U.S. Appl. No. 29/219,068, Applicant: Dae-Yoeb Park, et al., filed Dec. 10, 2004 entitled Portable Telephone.  
 U.S. Appl. No. 29/224,584, Applicant: Ha-Youl Jung, et al., filed Mar. 3, 2005 entitled Portable Telephone.

\* cited by examiner

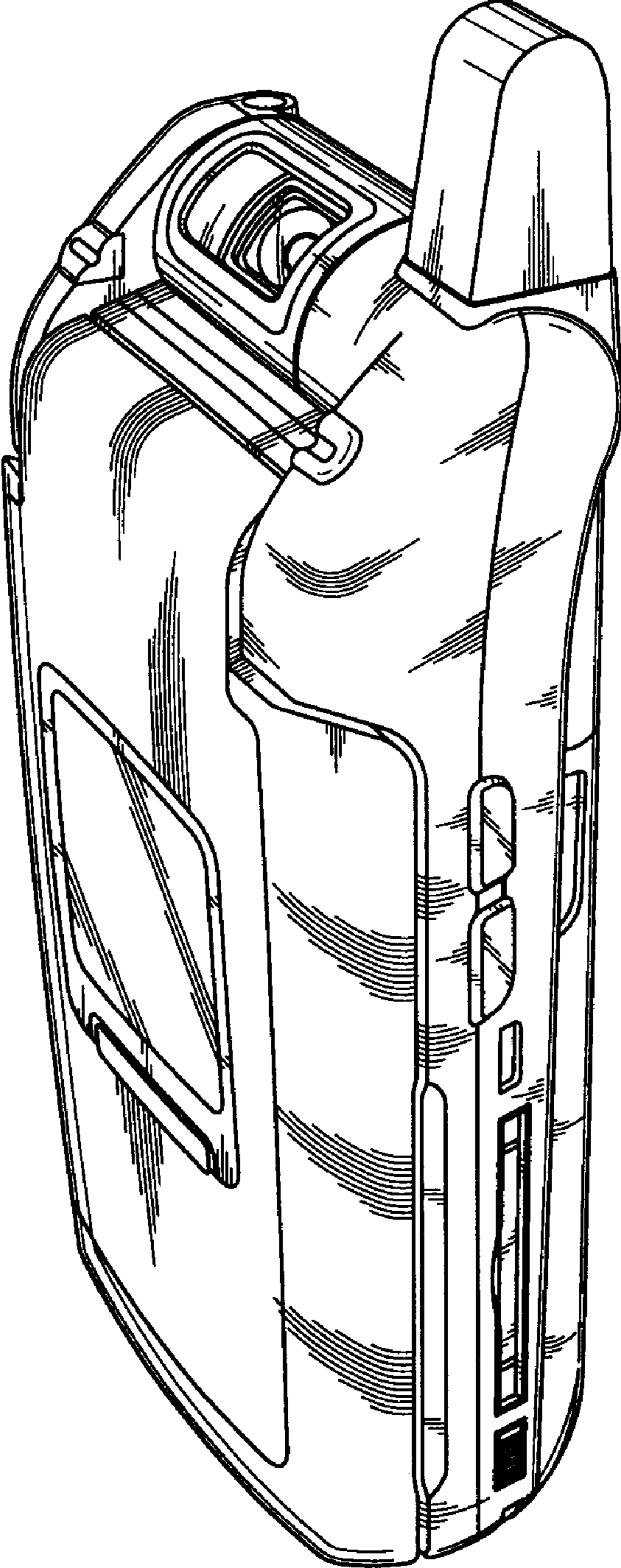


FIG. 1

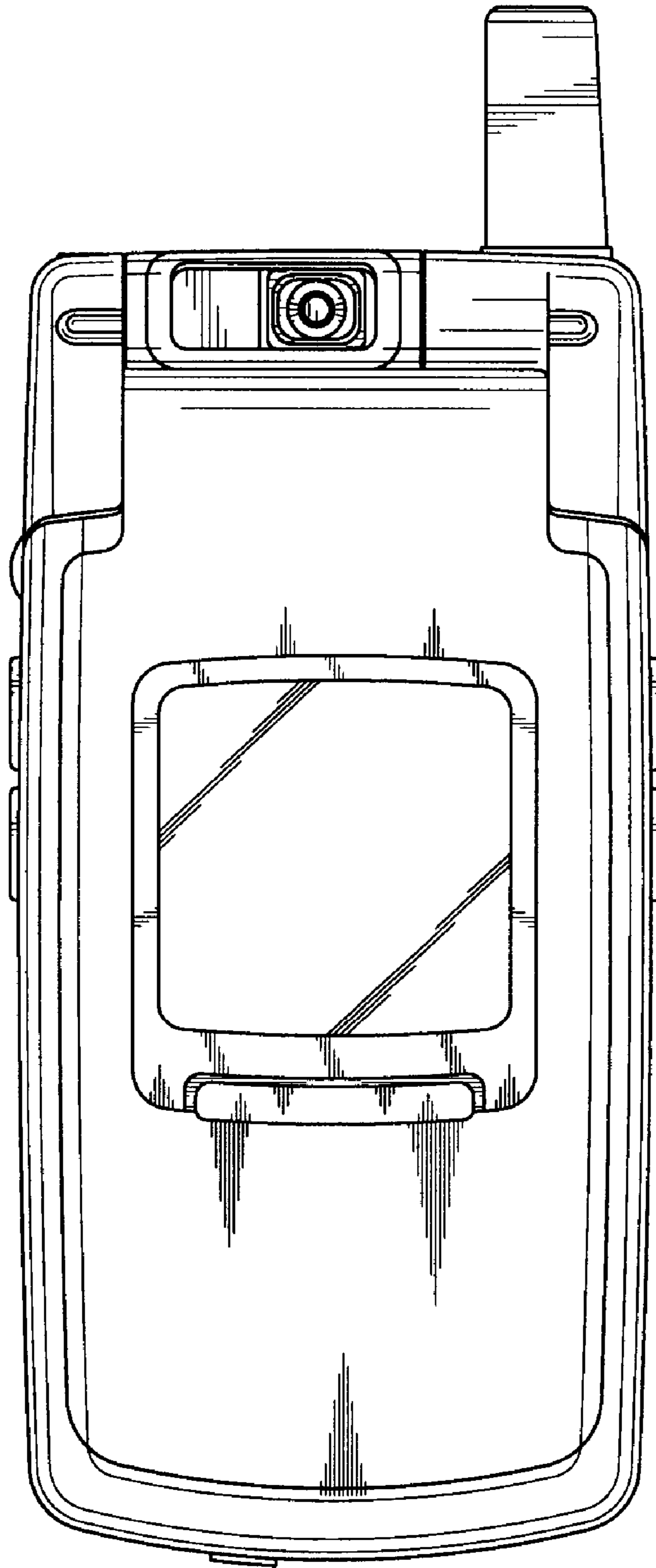


FIG. 2

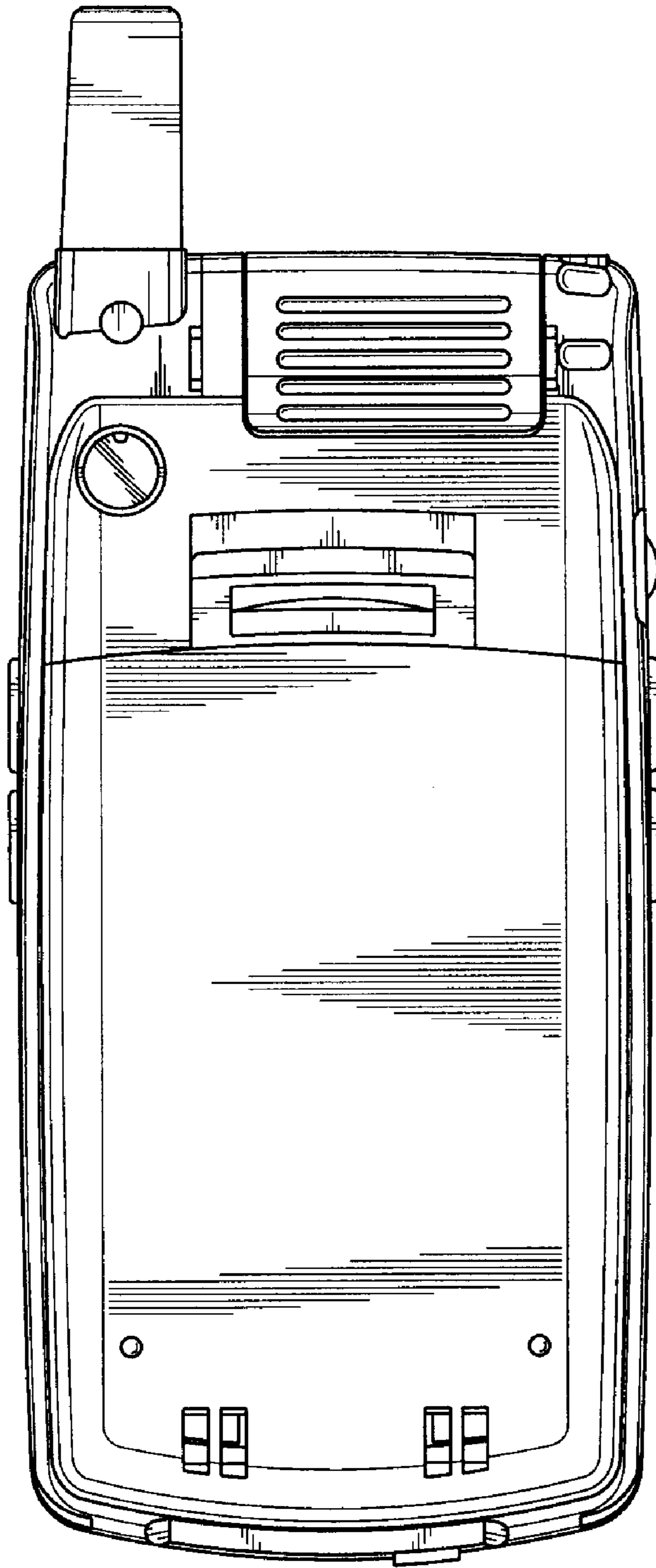


FIG. 3

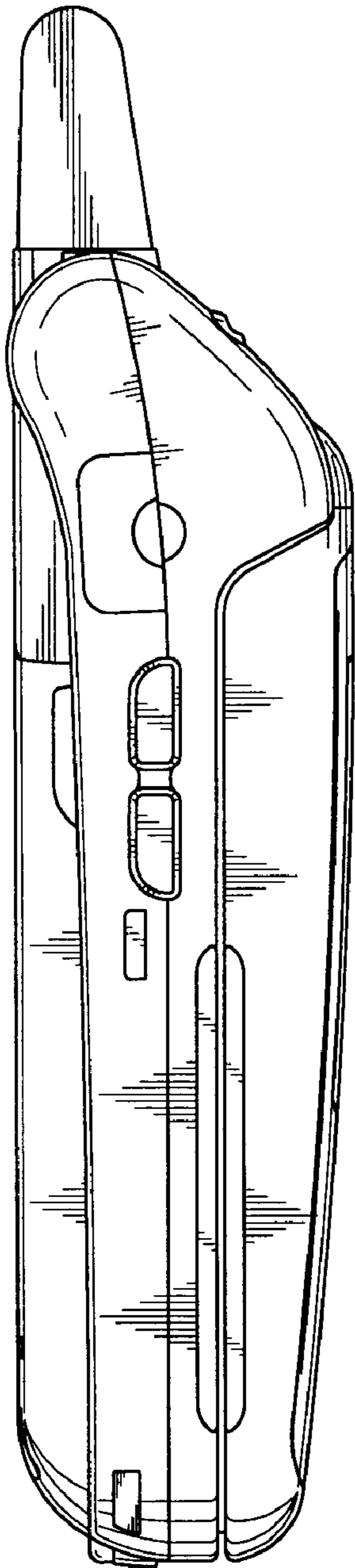


FIG. 4

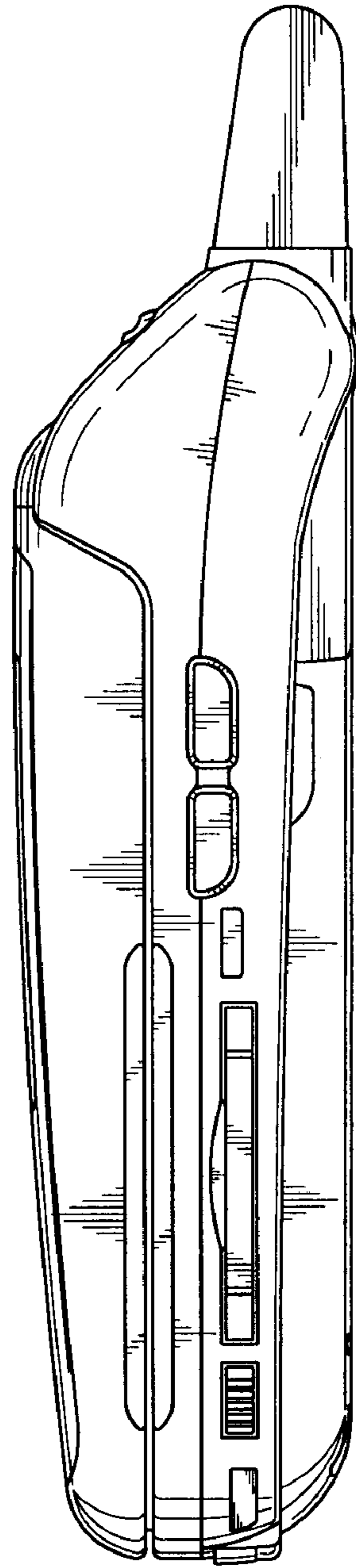


FIG. 5

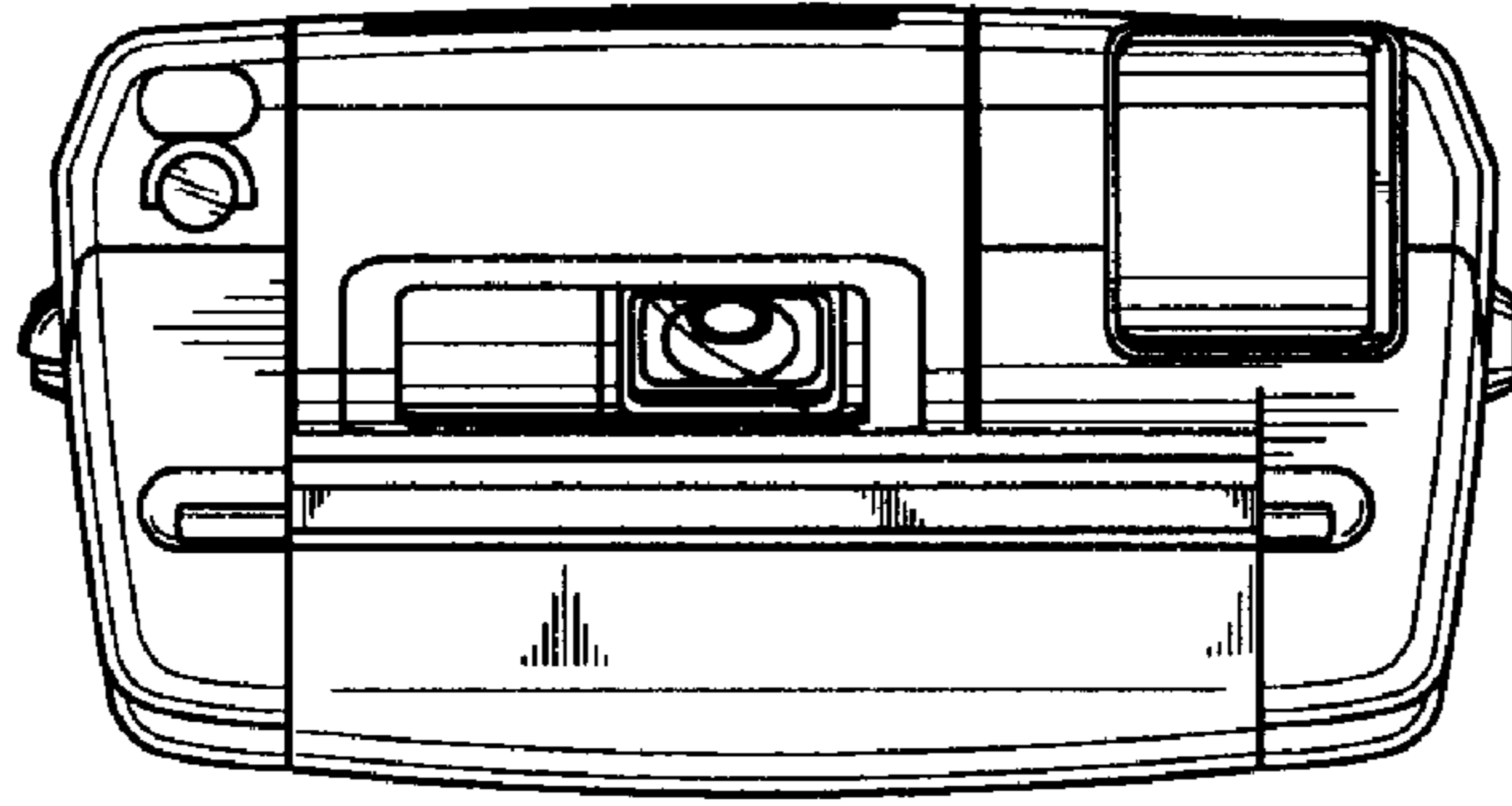


FIG. 6

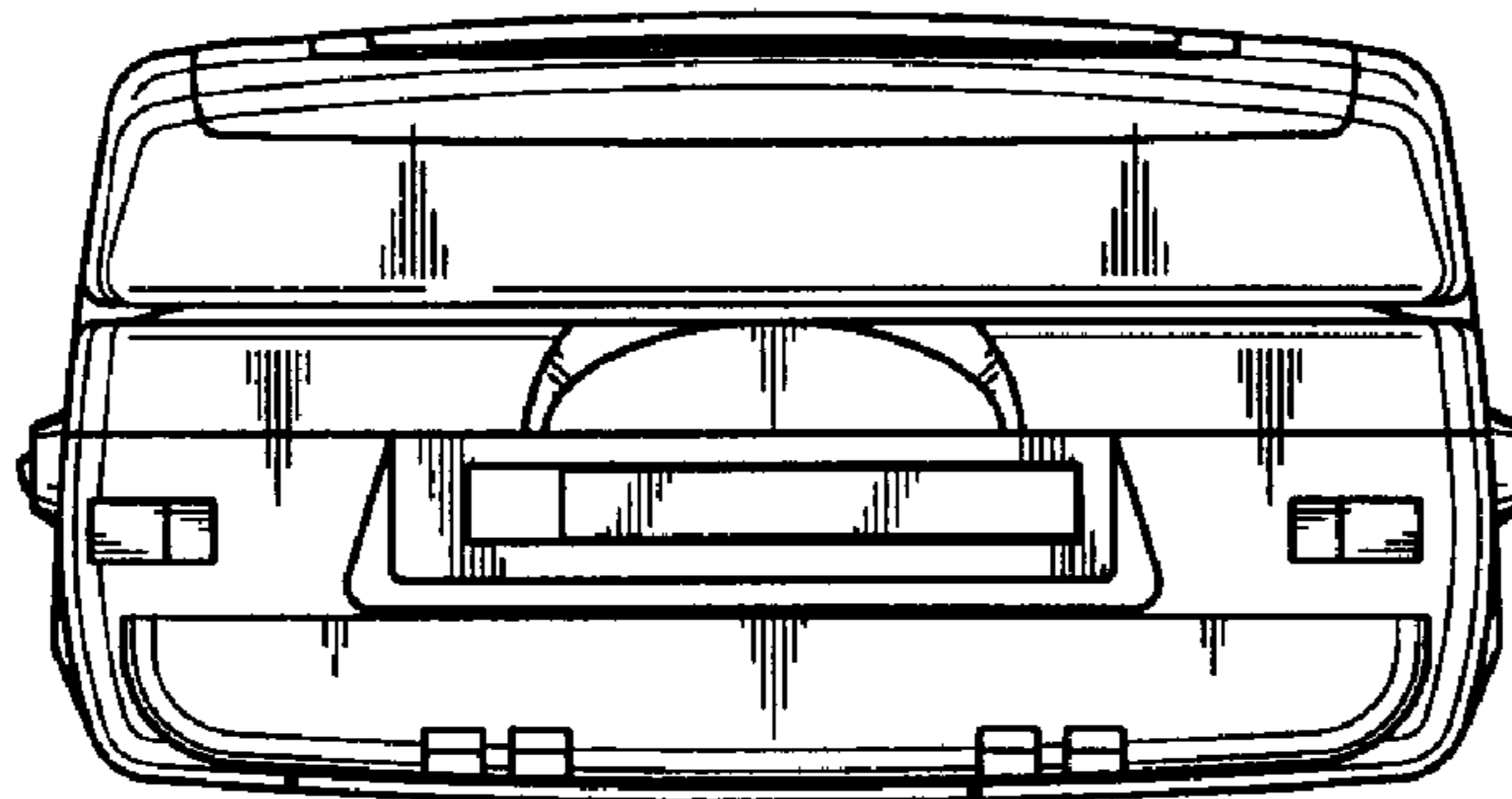


FIG. 7