

US00D528088S

(12) **United States Design Patent**  
**Suzuki**

(10) **Patent No.:** **US D528,088 S**

(45) **Date of Patent:** **\*\* Sep. 12, 2006**

(54) **COMBINED DISC PLAYER AND RADIO RECEIVER**

D480,701 S 10/2003 Sogabe  
D487,073 S \* 2/2004 Horii et al. .... D14/157  
D487,448 S 3/2004 Sadatsuki

(75) Inventor: **Akio Suzuki**, Tokyo (JP)

\* cited by examiner

(73) Assignee: **Sony Corporation**, Tokyo (JP)

*Primary Examiner*—Nanda Bondade

(\*\*) Term: **14 Years**

(74) *Attorney, Agent, or Firm*—Rader, Fishman & Grauer PLLC

(21) Appl. No.: **29/220,570**

(57) **CLAIM**

(22) Filed: **Jan. 4, 2005**

The ornamental design for a combined disc player and radio receiver, as shown.

(51) **LOC (8) Cl.** ..... **14-01**

(52) **U.S. Cl.** ..... **D14/136**

(58) **Field of Classification Search** ..... D14/135–136,  
D14/156–157, 160–165, 167–168, 192–198,  
D14/188, 217, 257, 258, 445; 360/99.02,  
360/99.07; 369/75.11, 75.21, 77.21, 77.11;  
720/612, 619, 647, 655; 455/344, 347–351  
See application file for complete search history.

**DESCRIPTION**

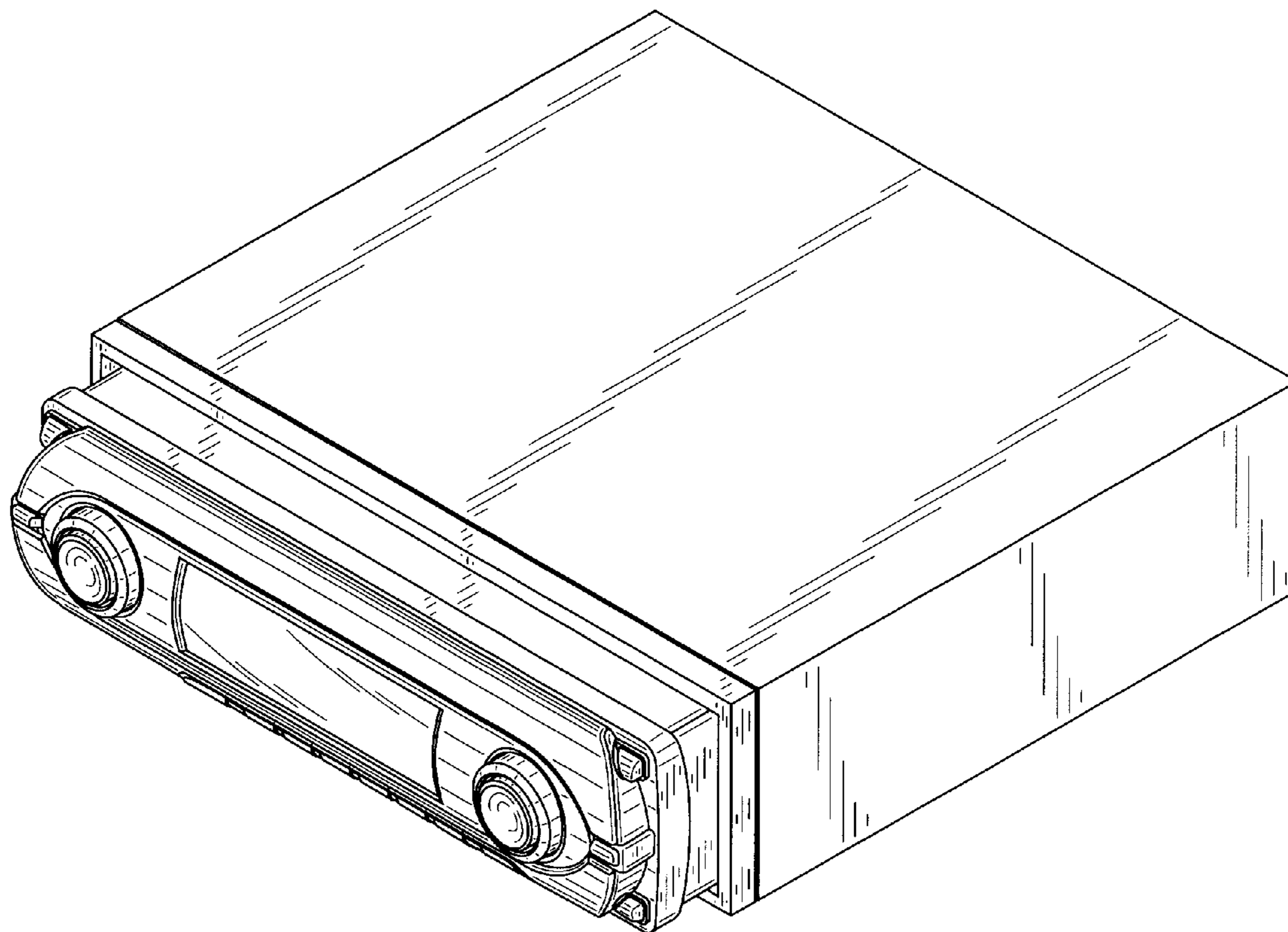
FIG. 1 is a perspective view of a combined disc player and radio receiver showing my new design; FIG. 2 is a front elevational view thereof; FIG. 3 is a rear elevational view thereof; FIG. 4 is a left side elevational view thereof; FIG. 5 is a right side elevational view thereof; FIG. 6 is a top plan view thereof; and, FIG. 7 is a bottom plan view thereof.

(56) **References Cited**

**U.S. PATENT DOCUMENTS**

D446,781 S \* 8/2001 Horii et al. .... D14/157

**1 Claim, 7 Drawing Sheets**



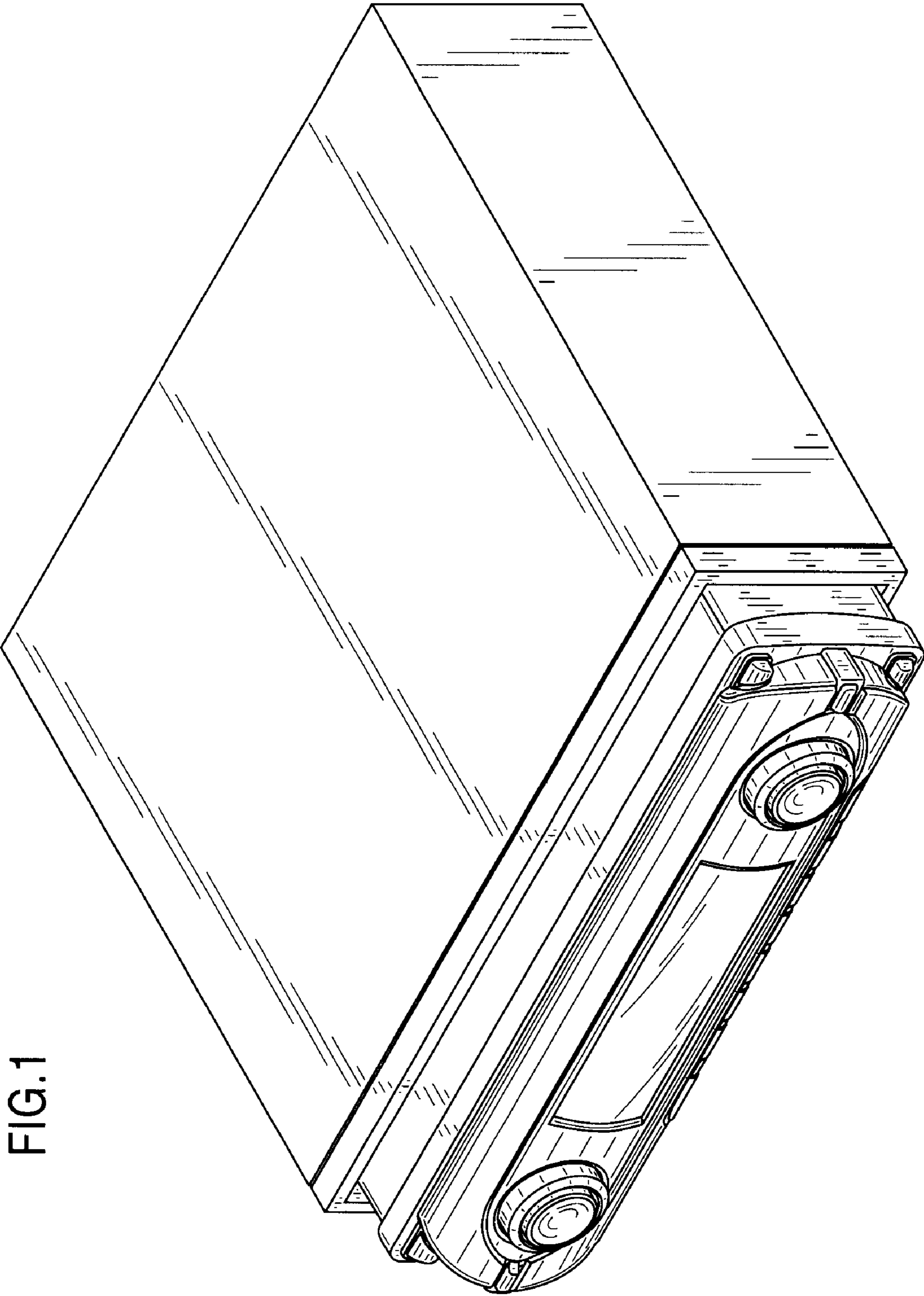


FIG.1

FIG.2

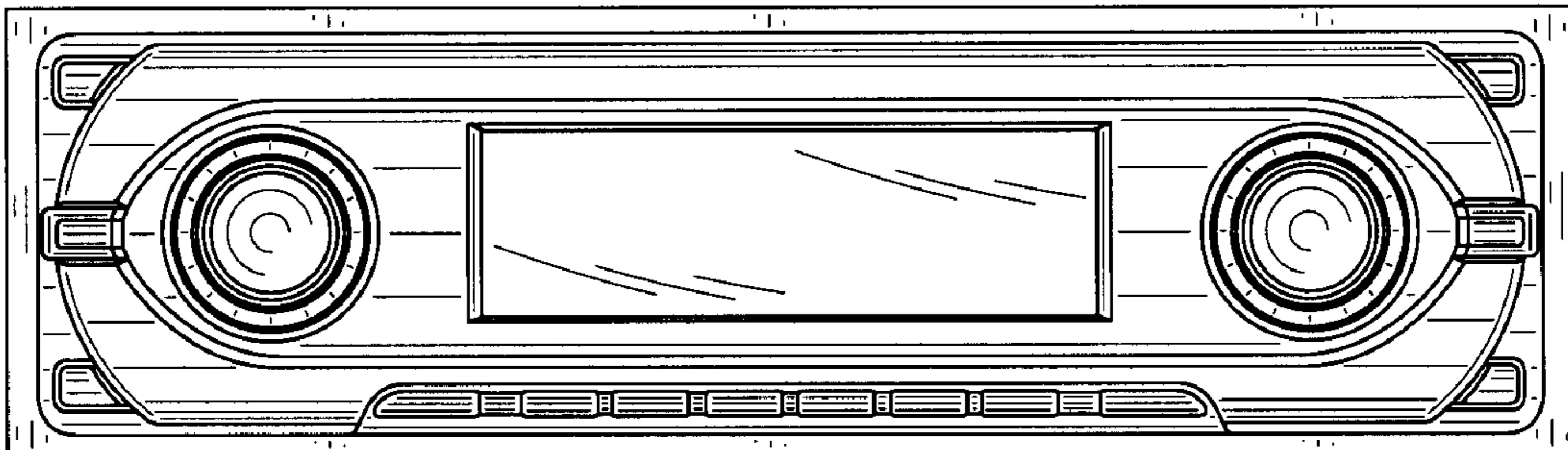


FIG.3

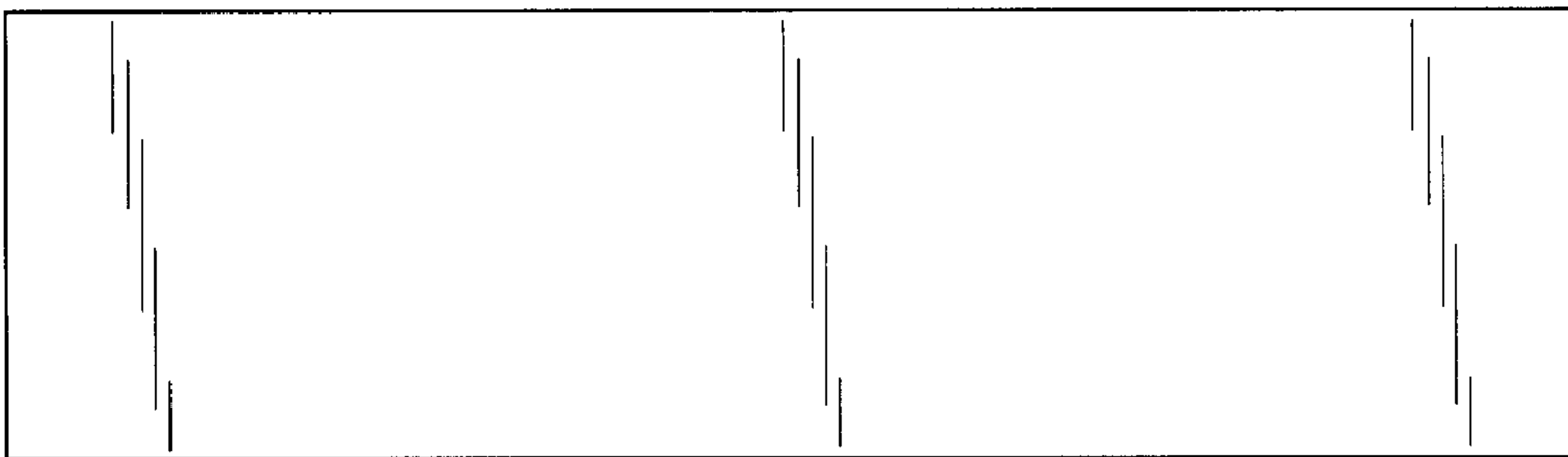


FIG.4

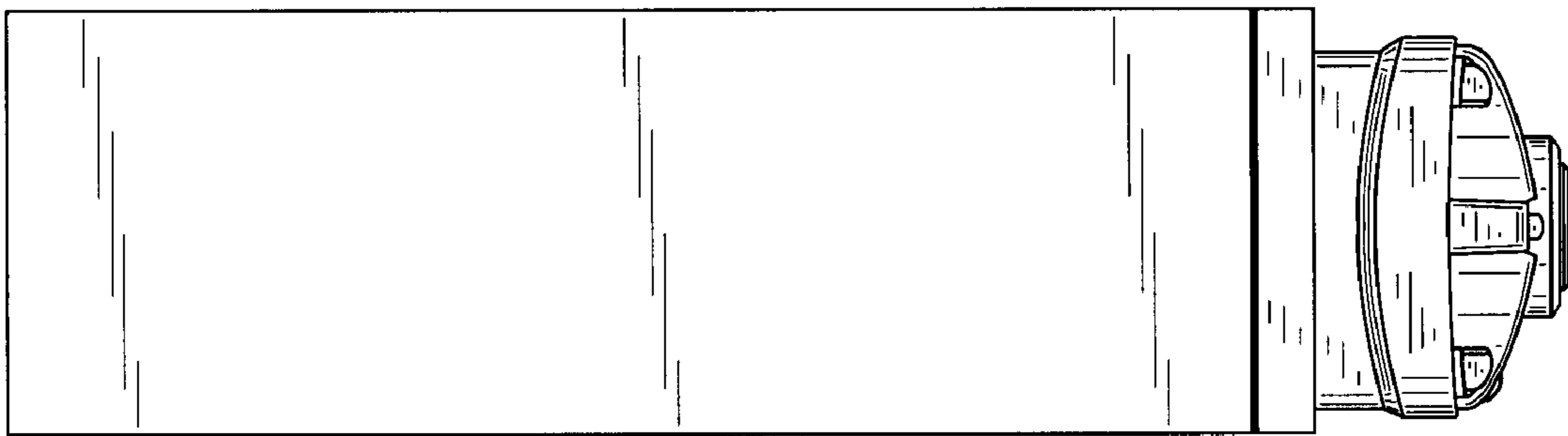


FIG.5

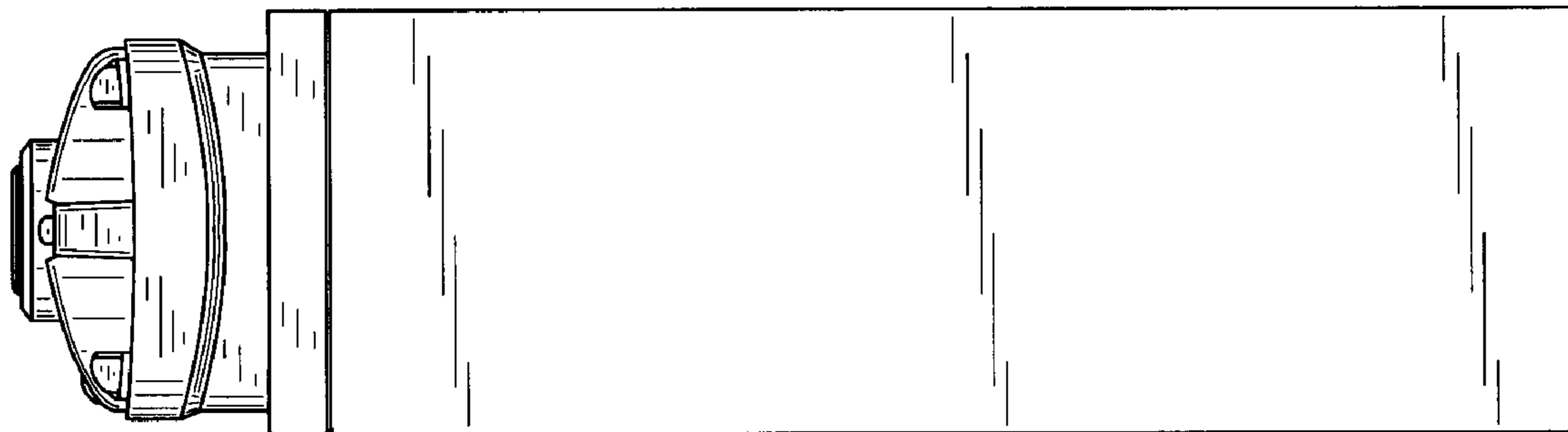


FIG.6

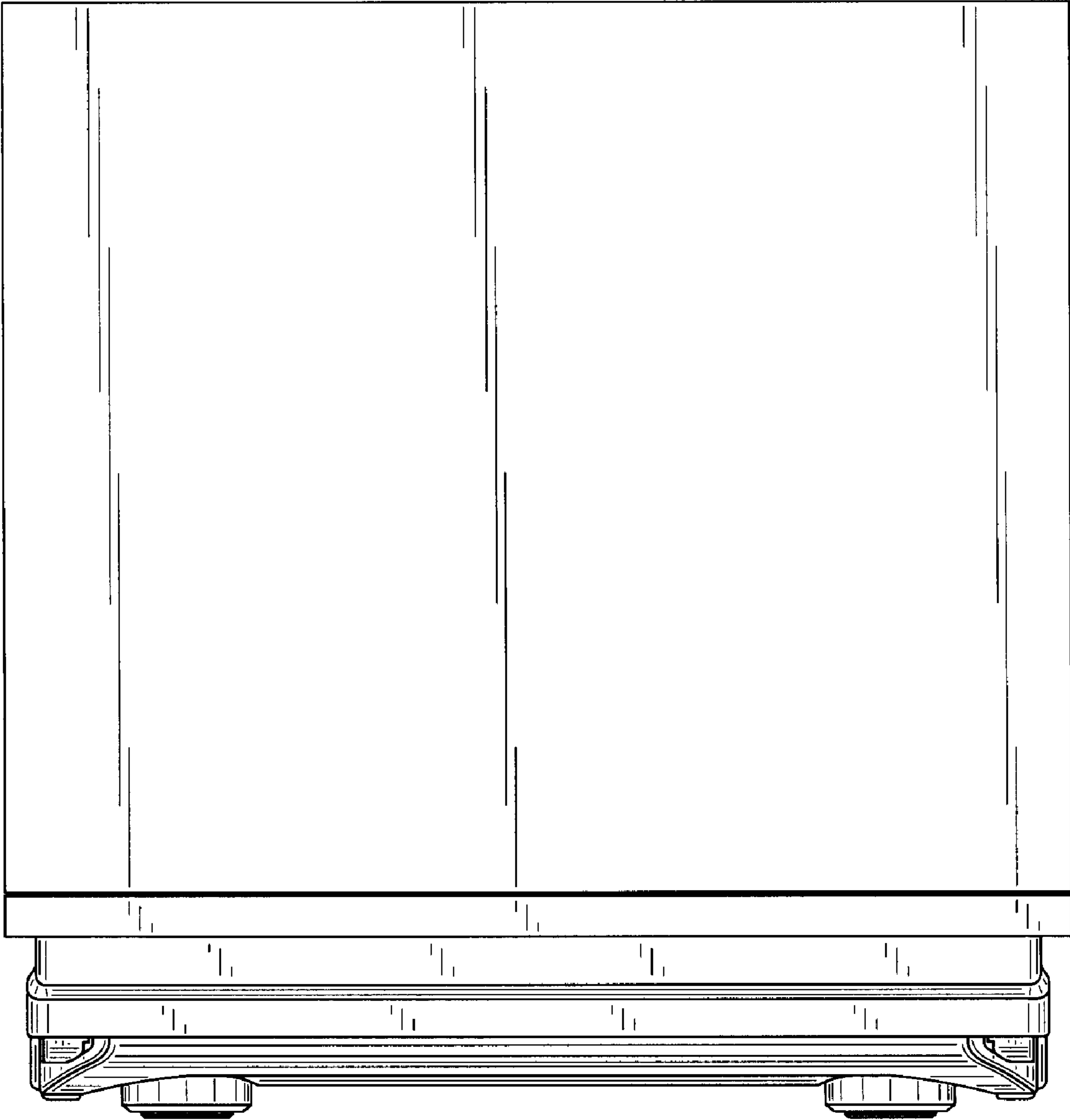


FIG.7

