



US00D528085S

(12) **United States Design Patent**  
**Chia**

(10) **Patent No.:** **US D528,085 S**

(45) **Date of Patent:** **\*\* Sep. 12, 2006**

(54) **TELEVISION SET**

(75) **Inventor:** **Benjamin Chia**, Cupertino, CA (US)

(73) **Assignee:** **Hannspree, Inc.**, Taipei (TW)

(\*\*) **Term:** **14 Years**

(21) **Appl. No.:** **29/240,356**

(22) **Filed:** **Oct. 13, 2005**

(30) **Foreign Application Priority Data**

Aug. 11, 2005 (TW) ..... 94304811

(51) **LOC (8) Cl.** ..... **14-03**

(52) **U.S. Cl.** ..... **D14/126**

(58) **Field of Classification Search** ..... D14/125-134,  
D14/239, 371, 136, 374-377; 312/7.2; 348/836,  
348/838, 180, 184, 325, 739; 341/12; 248/917-924,  
248/465; 345/104, 133, 156, 168, 87, 173;  
720/605, 669, 600, 655; 369/99, 197; 455/344-347  
See application file for complete search history.

(56) **References Cited**

**U.S. PATENT DOCUMENTS**

D293,579 S \* 1/1988 Davis ..... D14/375

D469,431 S \* 1/2003 Lin ..... D14/375  
D471,550 S \* 3/2003 Lin ..... D14/375  
D473,867 S \* 4/2003 Lin ..... D14/371  
D481,728 S \* 11/2003 Olson et al. .... D14/375  
D483,360 S \* 12/2003 Ma ..... D14/371  
D483,365 S \* 12/2003 Olson et al. .... D14/375  
D483,367 S \* 12/2003 Olson et al. .... D14/375  
6,661,474 B1 \* 12/2003 Hung ..... 348/836

\* cited by examiner

*Primary Examiner*—Raphael Barkai

(74) *Attorney, Agent, or Firm*—Thomas & Thomas, PLLC

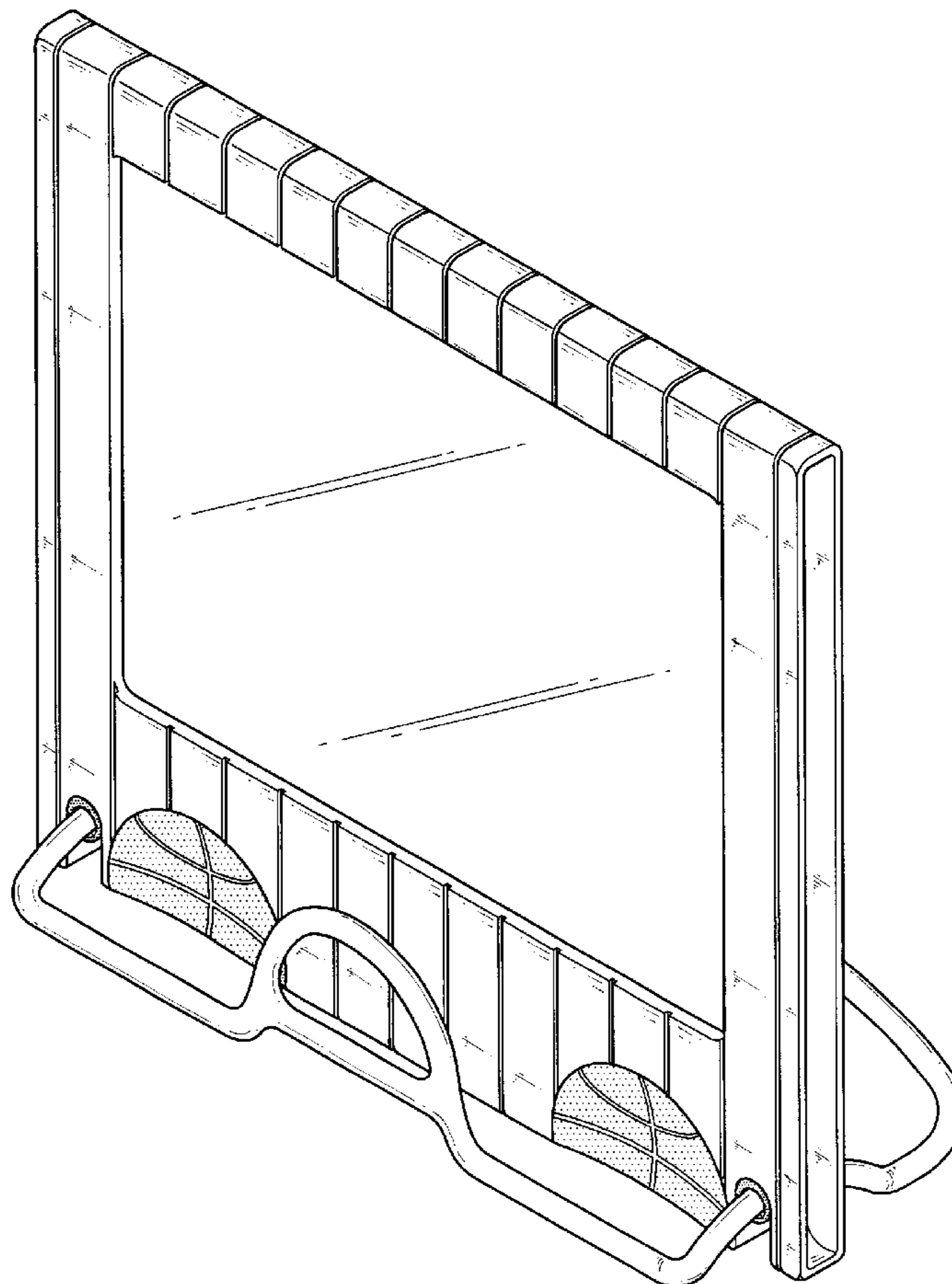
(57) **CLAIM**

The ornamental design for a television set, as shown.

**DESCRIPTION**

FIG. 1 is a perspective view of a television set showing my new design;  
FIG. 2 is a front elevational view thereof;  
FIG. 3 is a rear elevational view thereof;  
FIG. 4 is a left side elevational view thereof;  
FIG. 5 is a right side elevational view thereof;  
FIG. 6 is a top plan view thereof; and,  
FIG. 7 is a bottom plan view thereof.

**1 Claim, 5 Drawing Sheets**



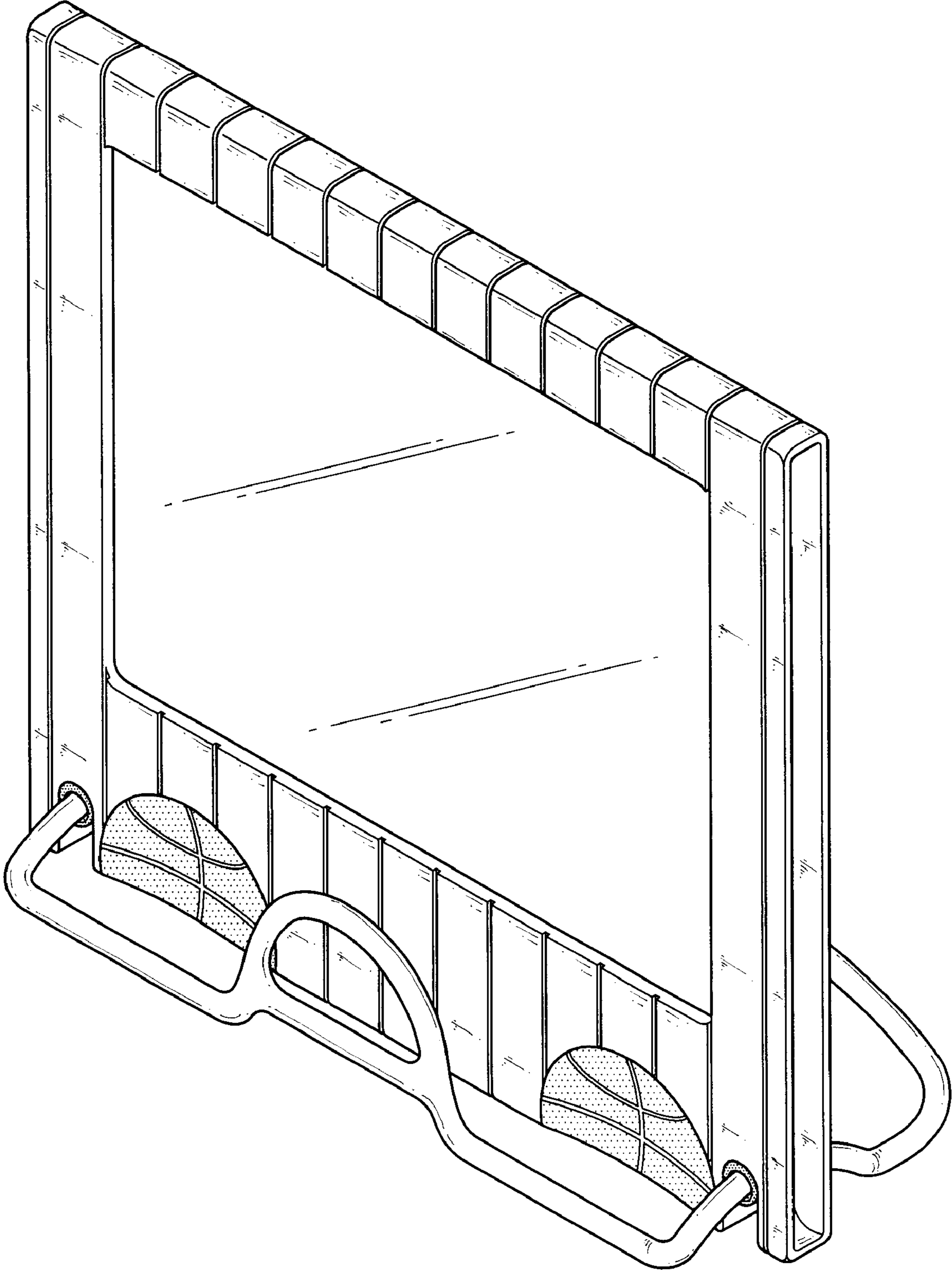


FIG. 1

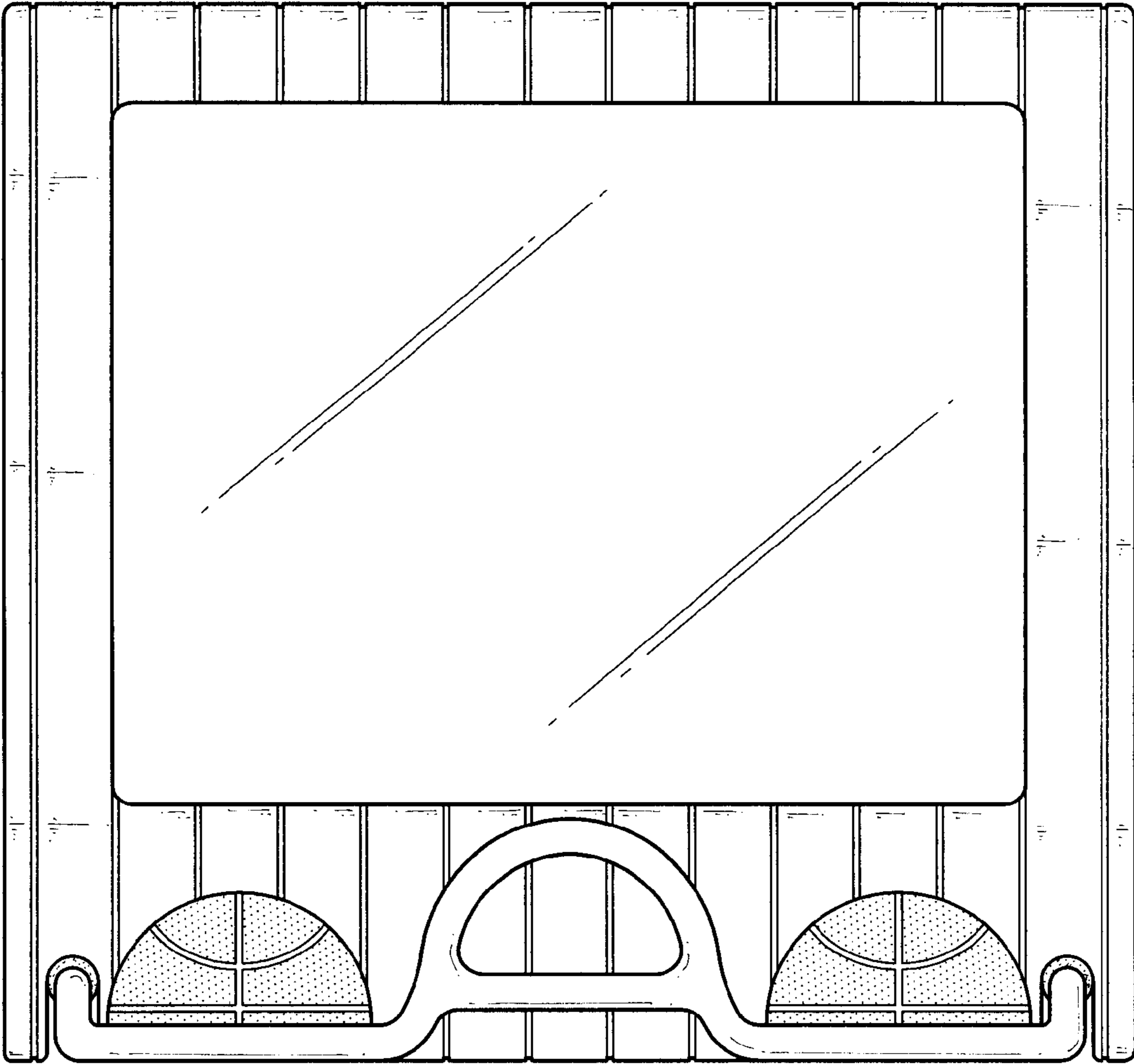


FIG. 2

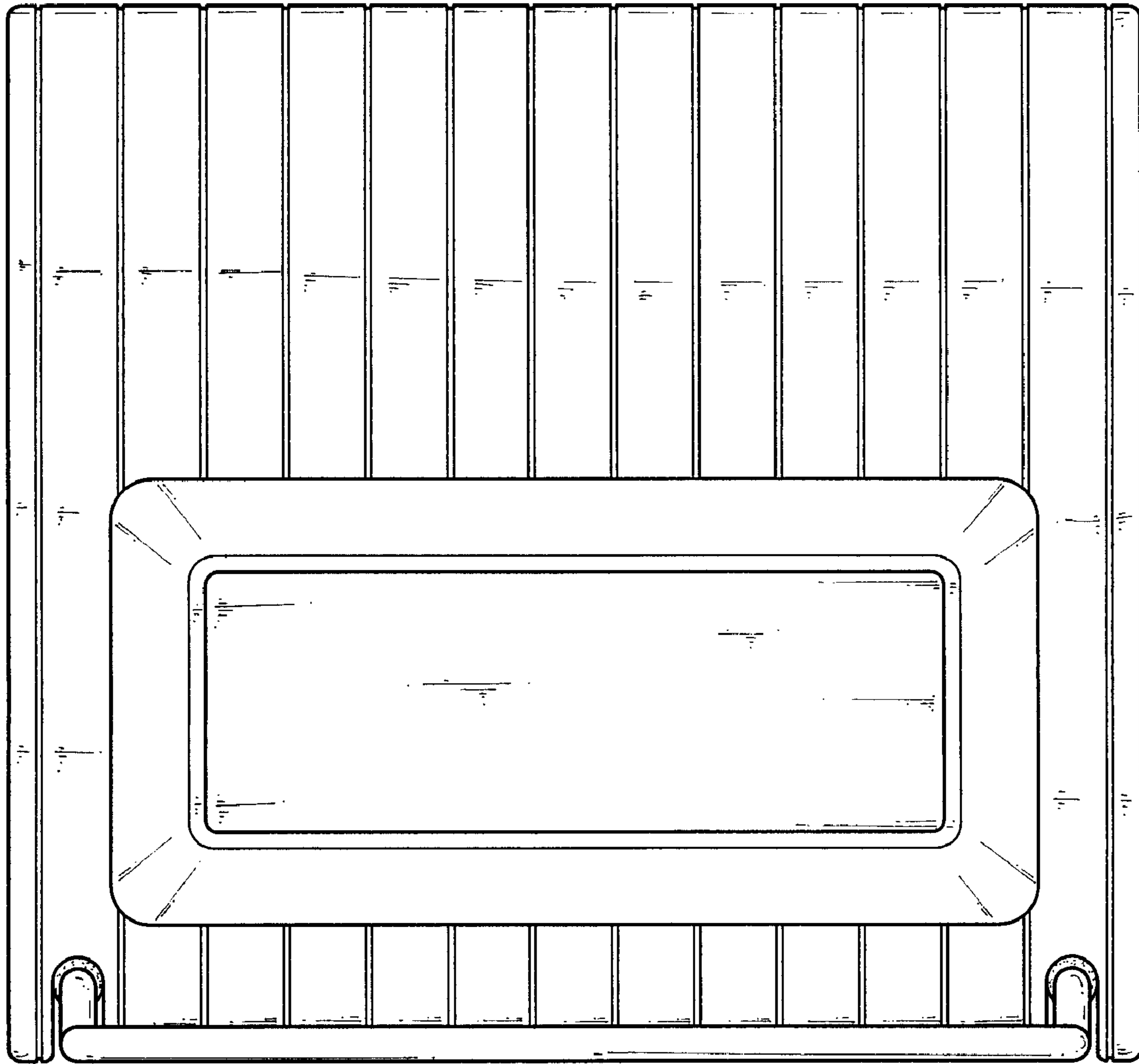


FIG. 3

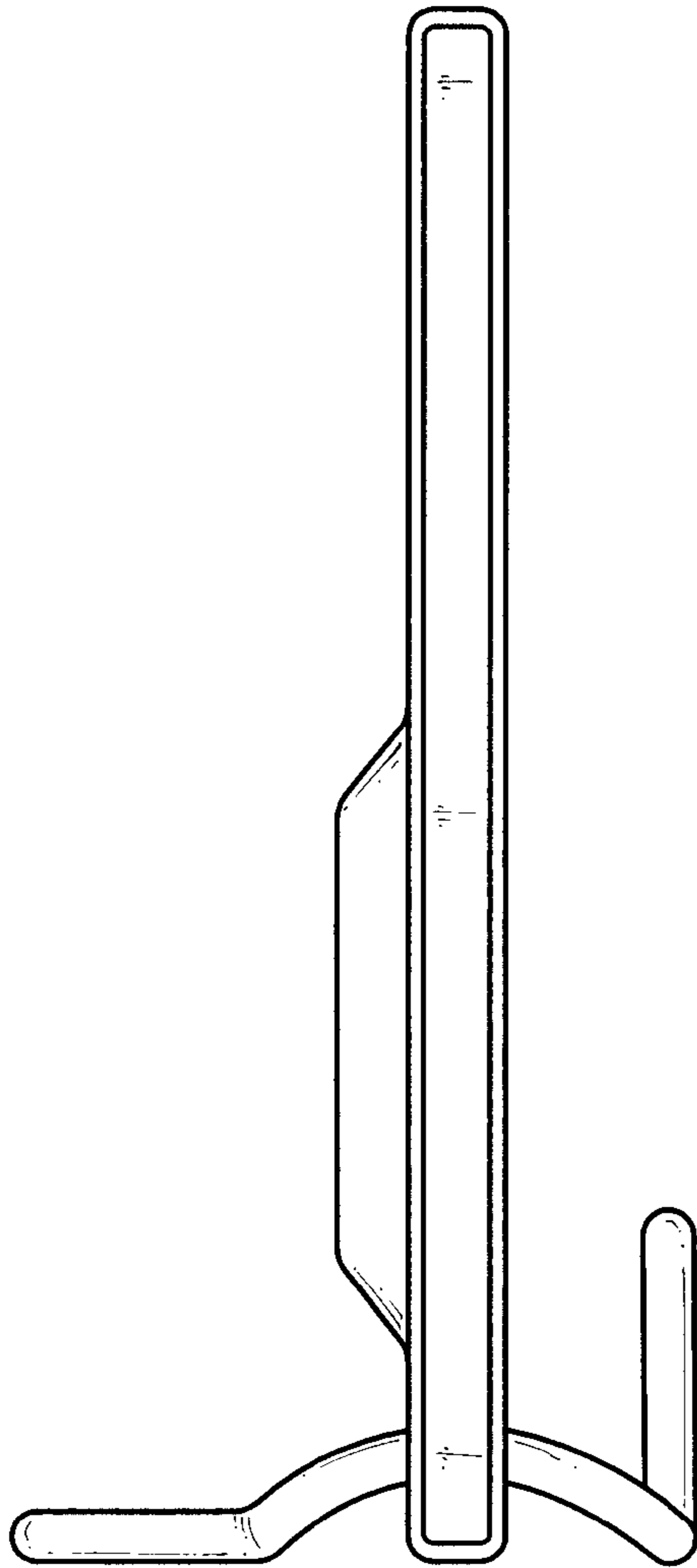


FIG. 4

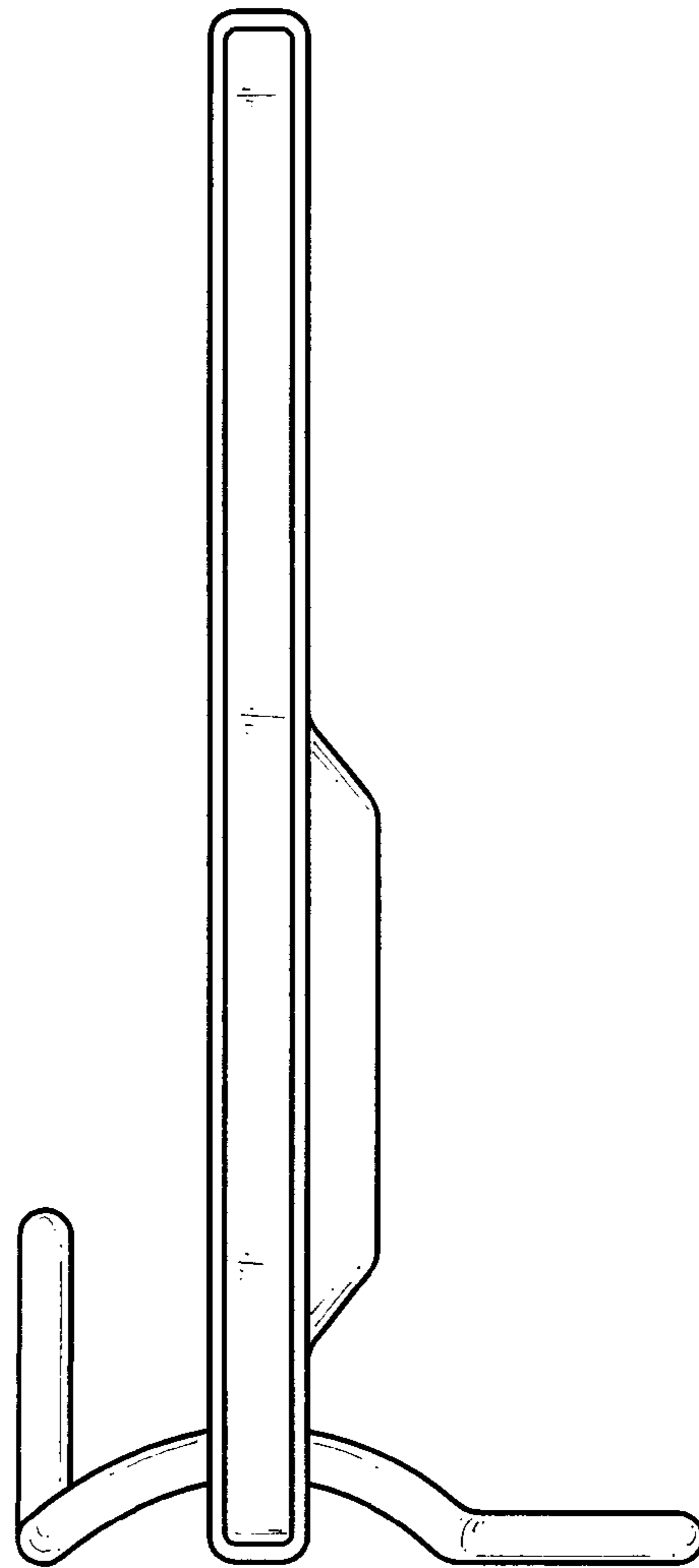


FIG. 5

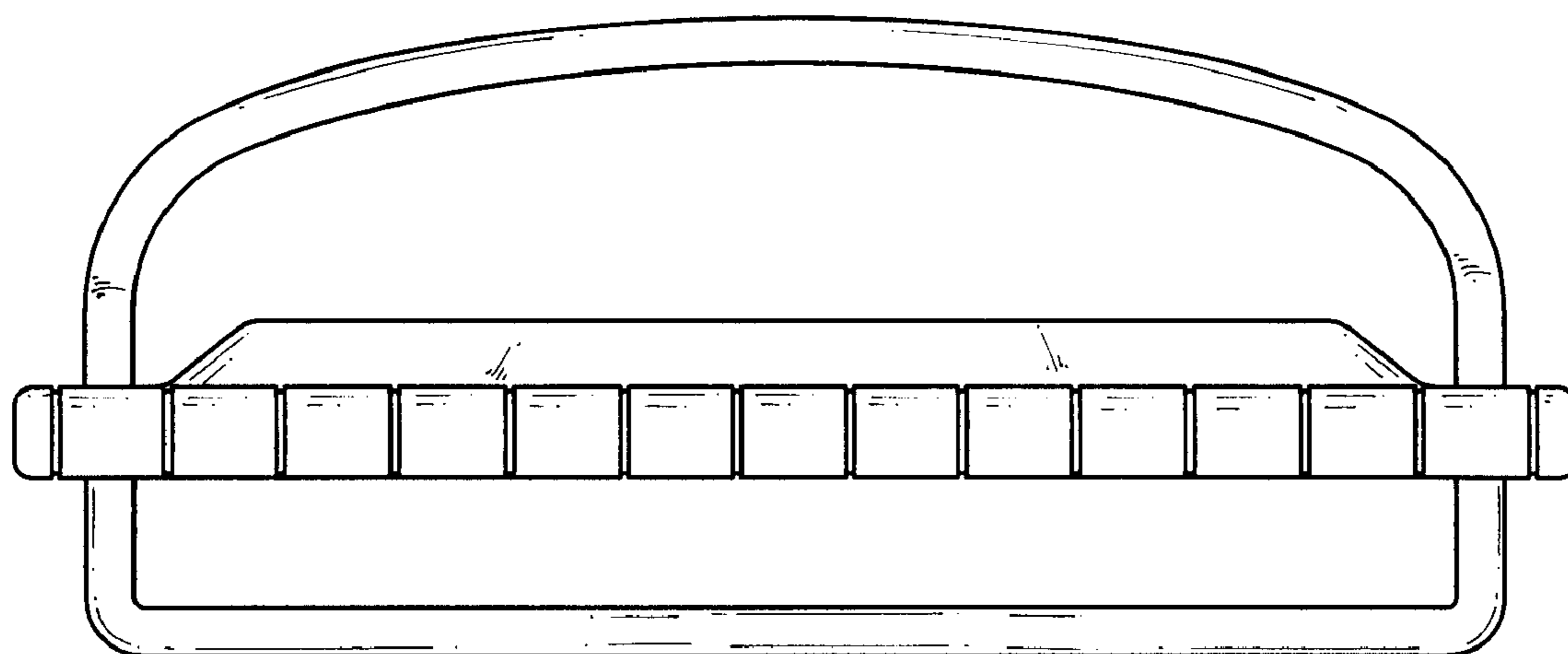


FIG. 6

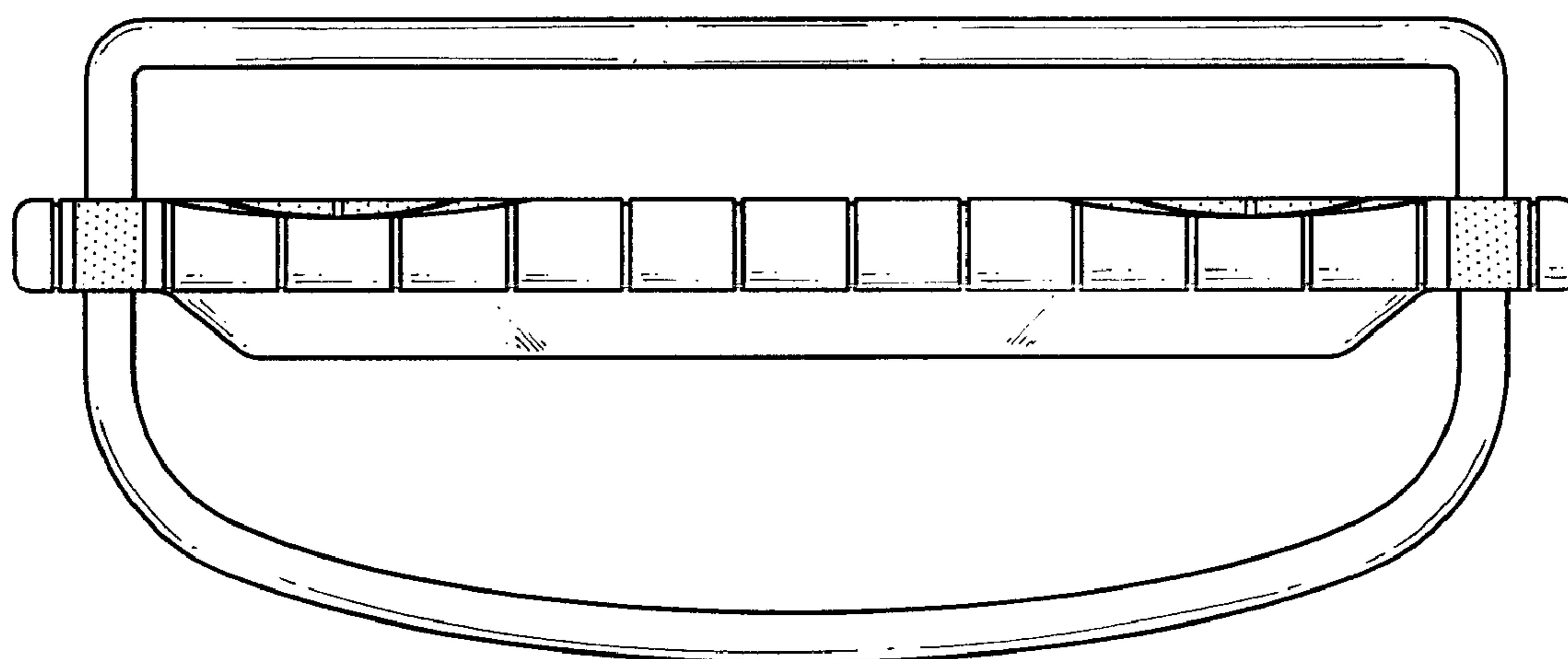


FIG. 7