



US00D528084S

(12) **United States Design Patent**  
**Wilson**

(10) **Patent No.:** **US D528,084 S**

(45) **Date of Patent:** **\*\* Sep. 12, 2006**

(54) **TELEVISION SET**

(75) Inventor: **Susan Wilson**, Bristol (GB)

(73) Assignee: **Hannspree, Inc.**, Taipei (TW)

(\*\*) Term: **14 Years**

(21) Appl. No.: **29/239,583**

(22) Filed: **Sep. 30, 2005**

(30) **Foreign Application Priority Data**

Sep. 2, 2005 (TW) ..... 94305284

(51) **LOC (8) Cl.** ..... **14-03**

(52) **U.S. Cl.** ..... **D14/126**

(58) **Field of Classification Search** ..... D14/125-134,  
D14/239, 371, 136, 374-377; 312/7.2; 348/836,  
348/838, 180, 184, 325, 739; 341/12; 248/917-924,  
248/465; 345/104, 133, 156, 168, 87, 173;  
720/605, 669, 600, 655; 369/99, 197; 455/344-347  
See application file for complete search history.

(56) **References Cited**

**U.S. PATENT DOCUMENTS**

D421,601 S \* 3/2000 Chou ..... D14/375  
D458,257 S \* 6/2002 Rosen et al. .... D14/375  
D478,080 S \* 8/2003 Wu ..... D14/374

D483,360 S \* 12/2003 Ma ..... D14/371  
D489,064 S \* 4/2004 Chang ..... D14/371  
D492,271 S \* 6/2004 Esslinger et al. .... D14/129  
D497,363 S \* 10/2004 Olson et al. .... D14/371  
D500,034 S \* 12/2004 Johnson ..... D14/336  
D505,123 S \* 5/2005 Kita ..... D14/126  
D505,402 S \* 5/2005 Wong ..... D14/125

\* cited by examiner

*Primary Examiner*—Raphael Barkai

(74) *Attorney, Agent, or Firm*—Hamre, Schumann, Mueller & Larson PC

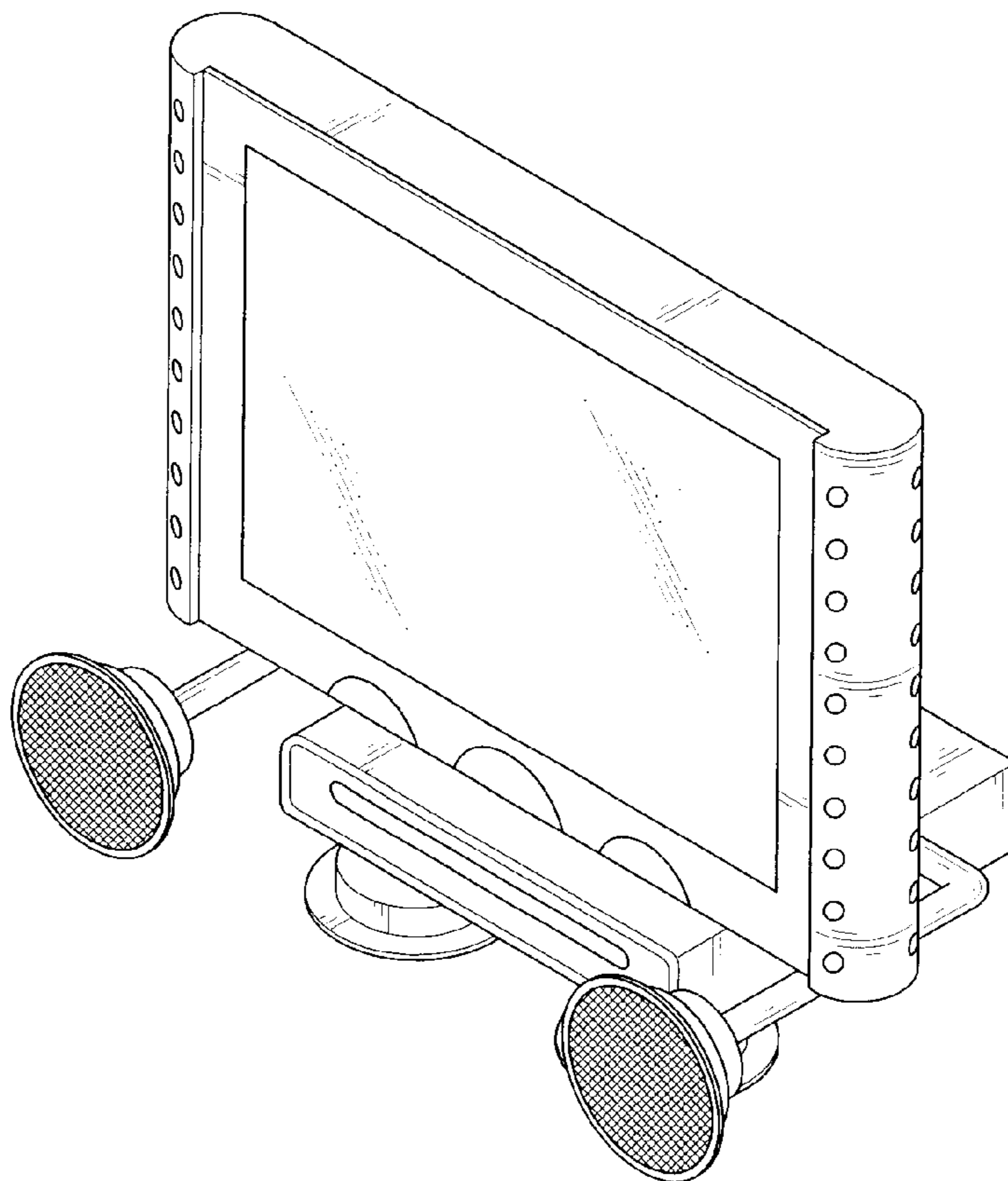
(57) **CLAIM**

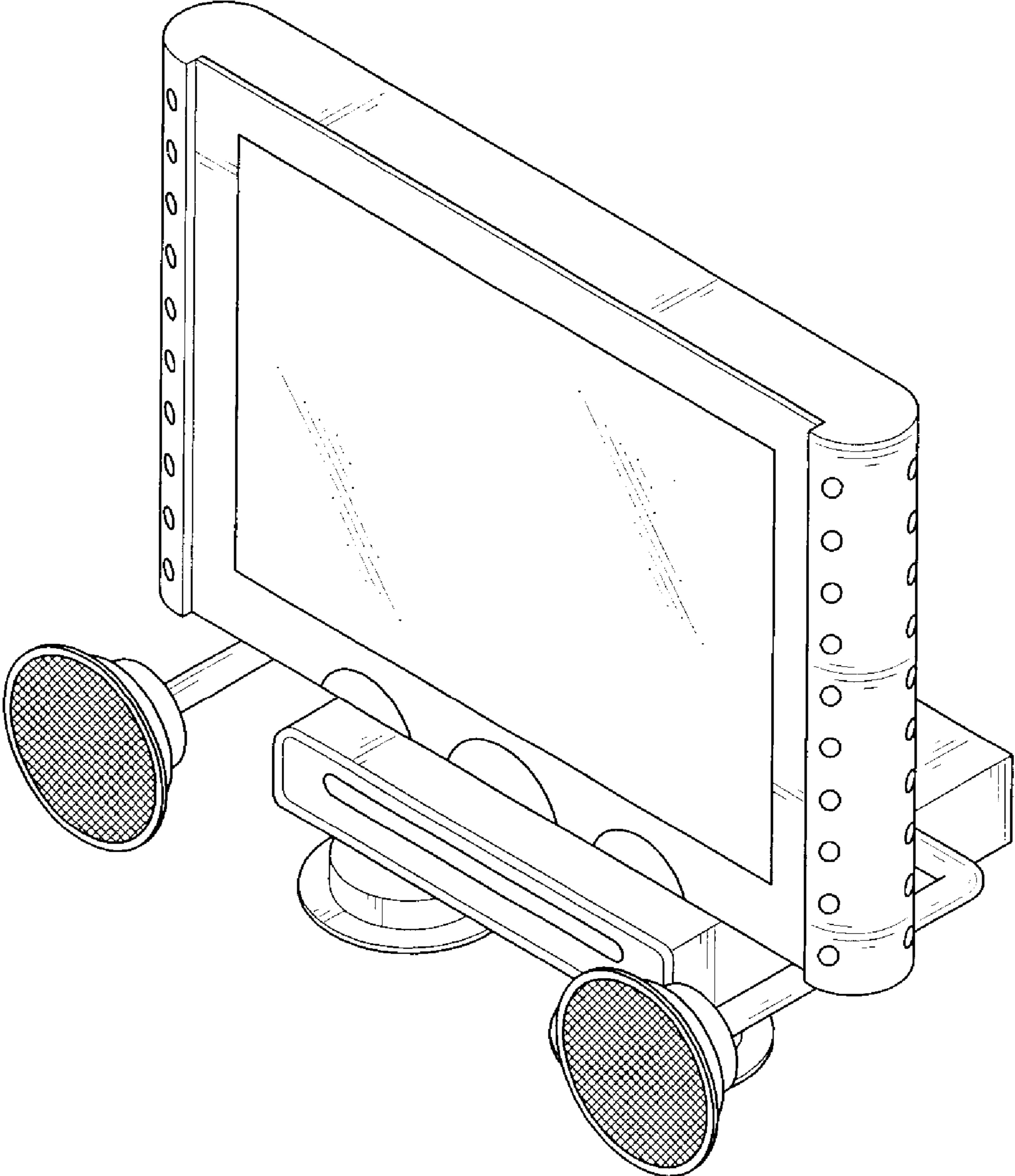
The ornamental design for a television set, as shown and described.

**DESCRIPTION**

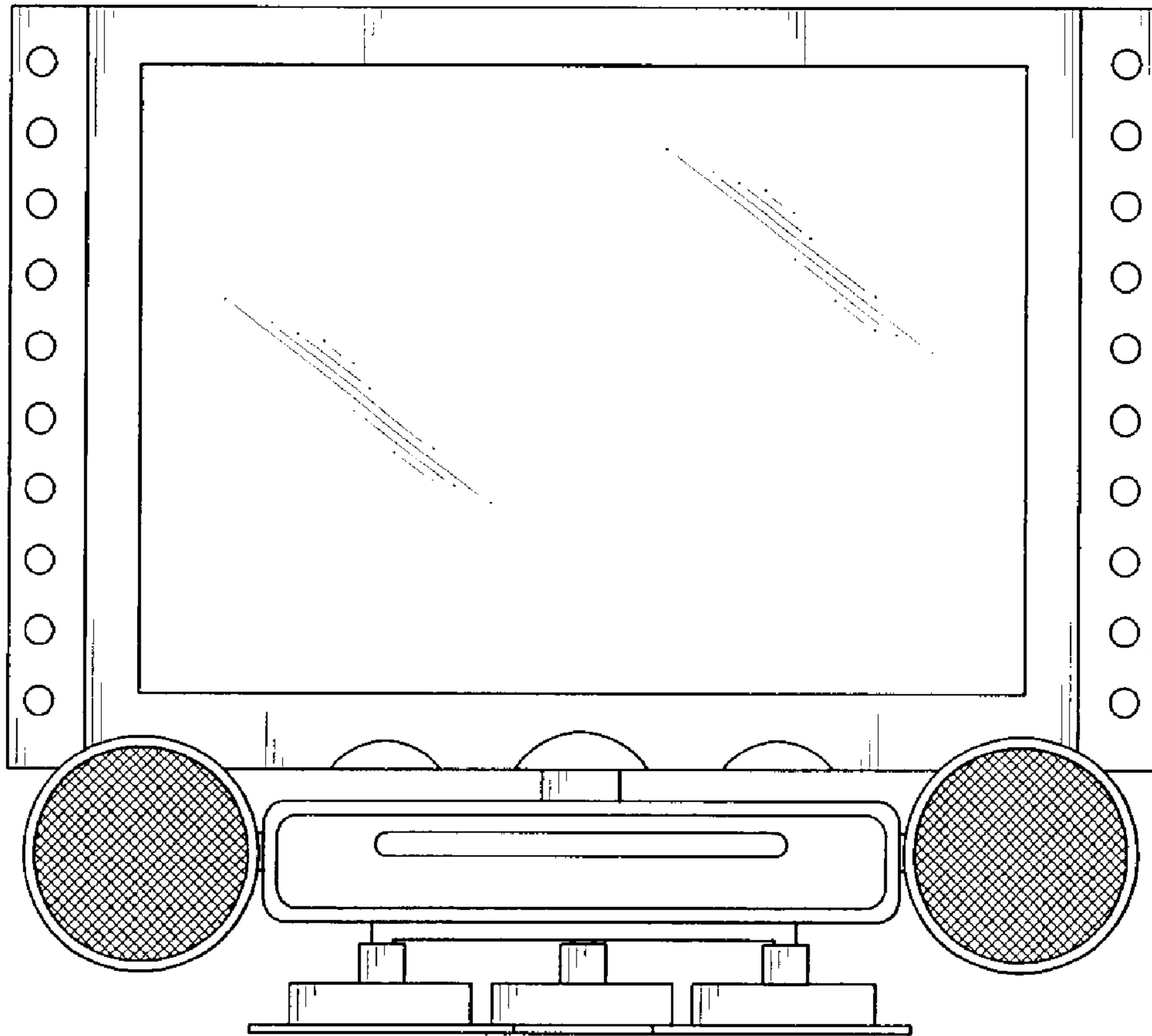
FIG. 1 is a front perspective view of a television set in accordance with my invention thereof;  
FIG. 2 is a front elevational view thereof;  
FIG. 3 is a rear elevational view thereof;  
FIG. 4 is a left side elevational view thereof;  
FIG. 5 is a right side elevational view thereof;  
FIG. 6 is a top plan view thereof; and,  
FIG. 7 is a bottom plan view of the television set in a used state thereof.

**1 Claim, 7 Drawing Sheets**





**FIG. 1**



**FIG. 2**

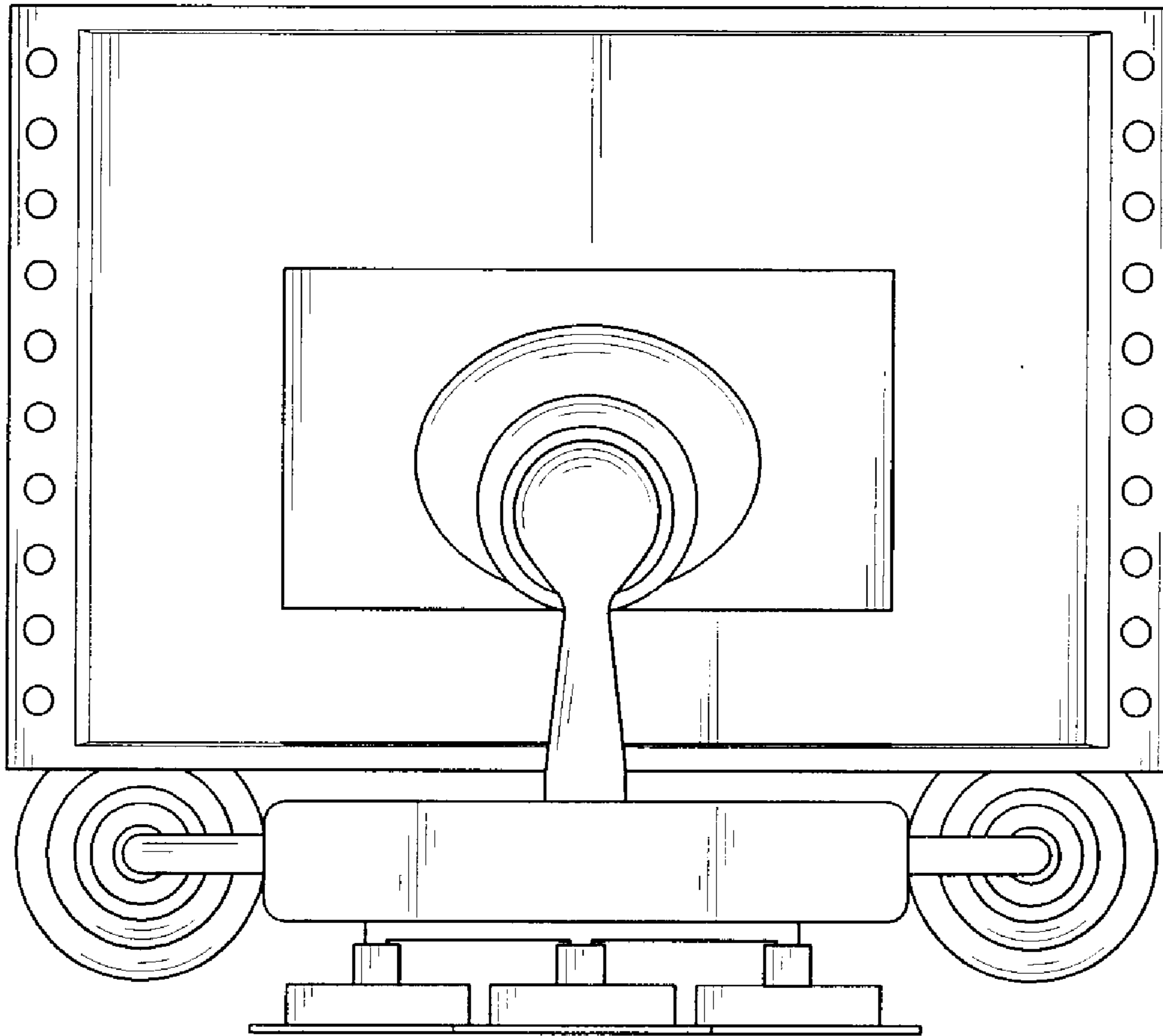
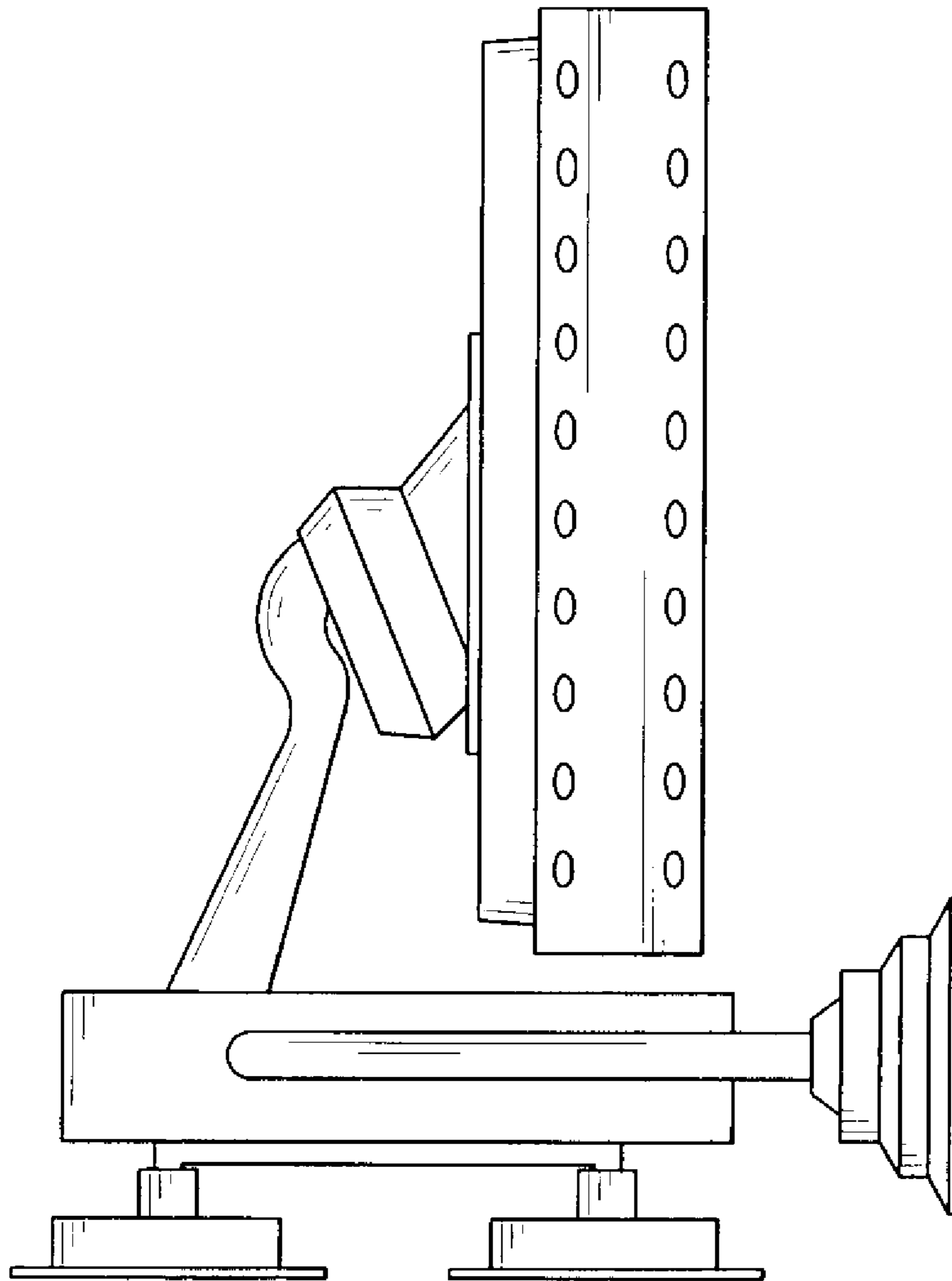
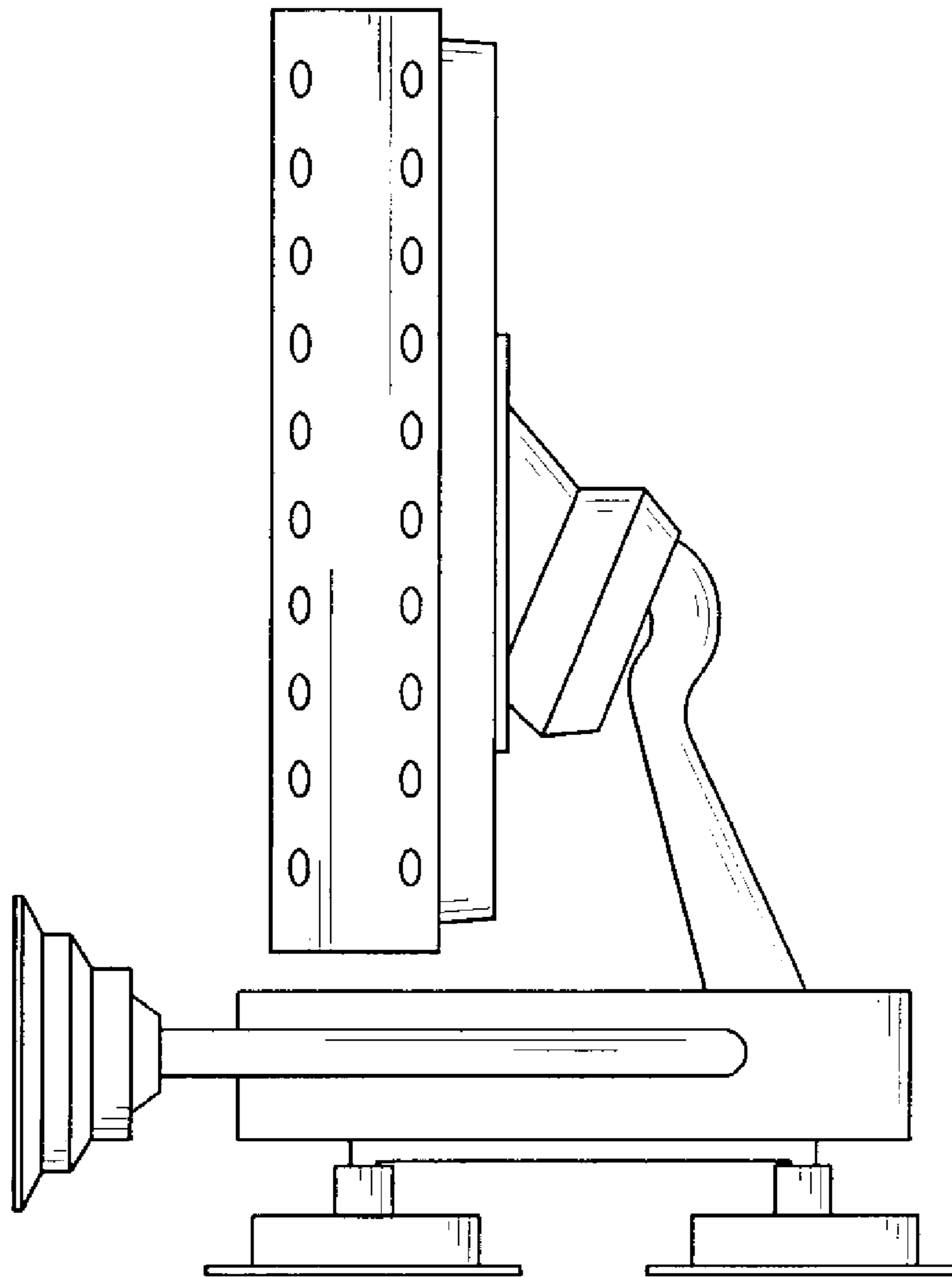


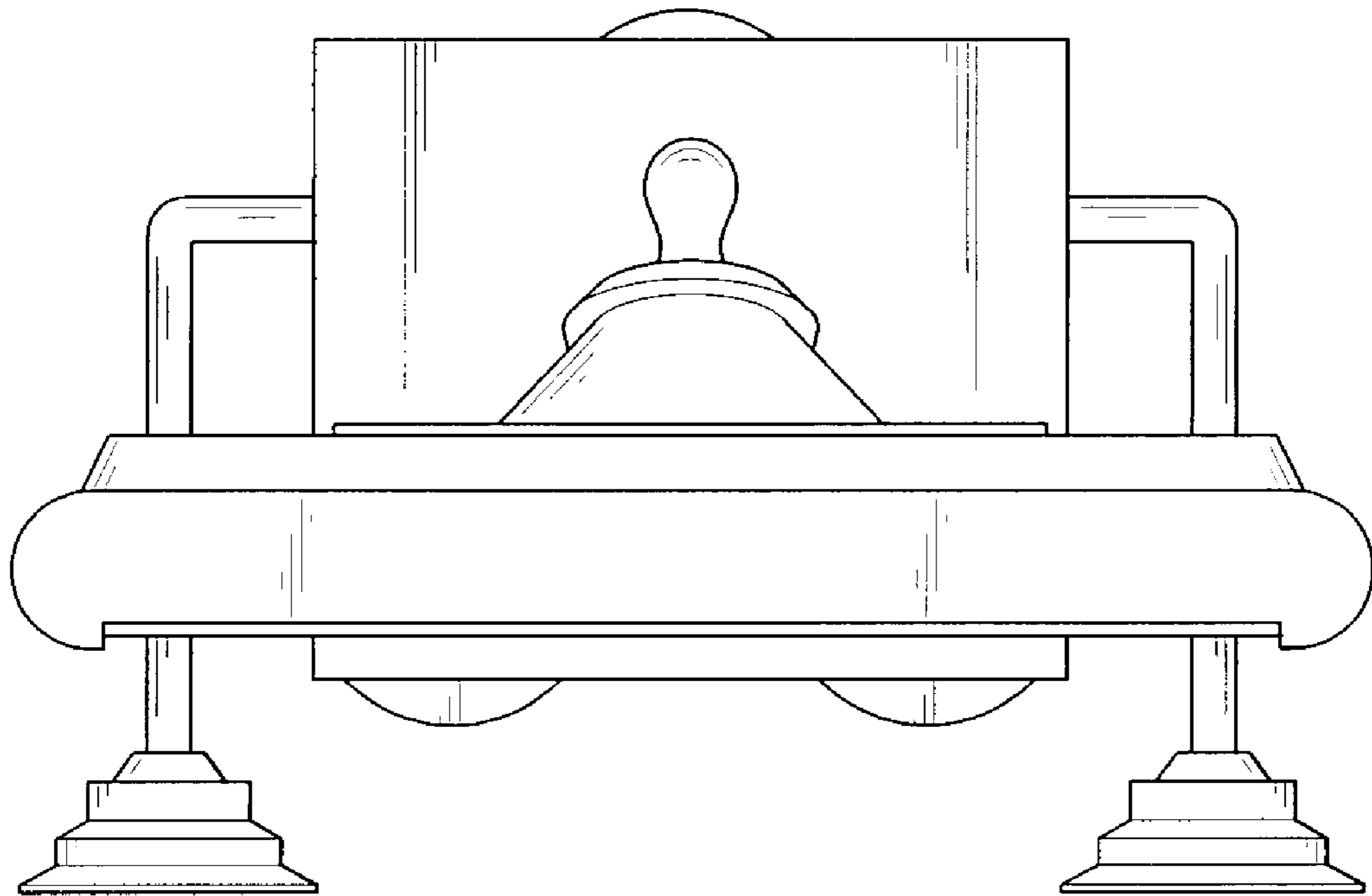
FIG. 3



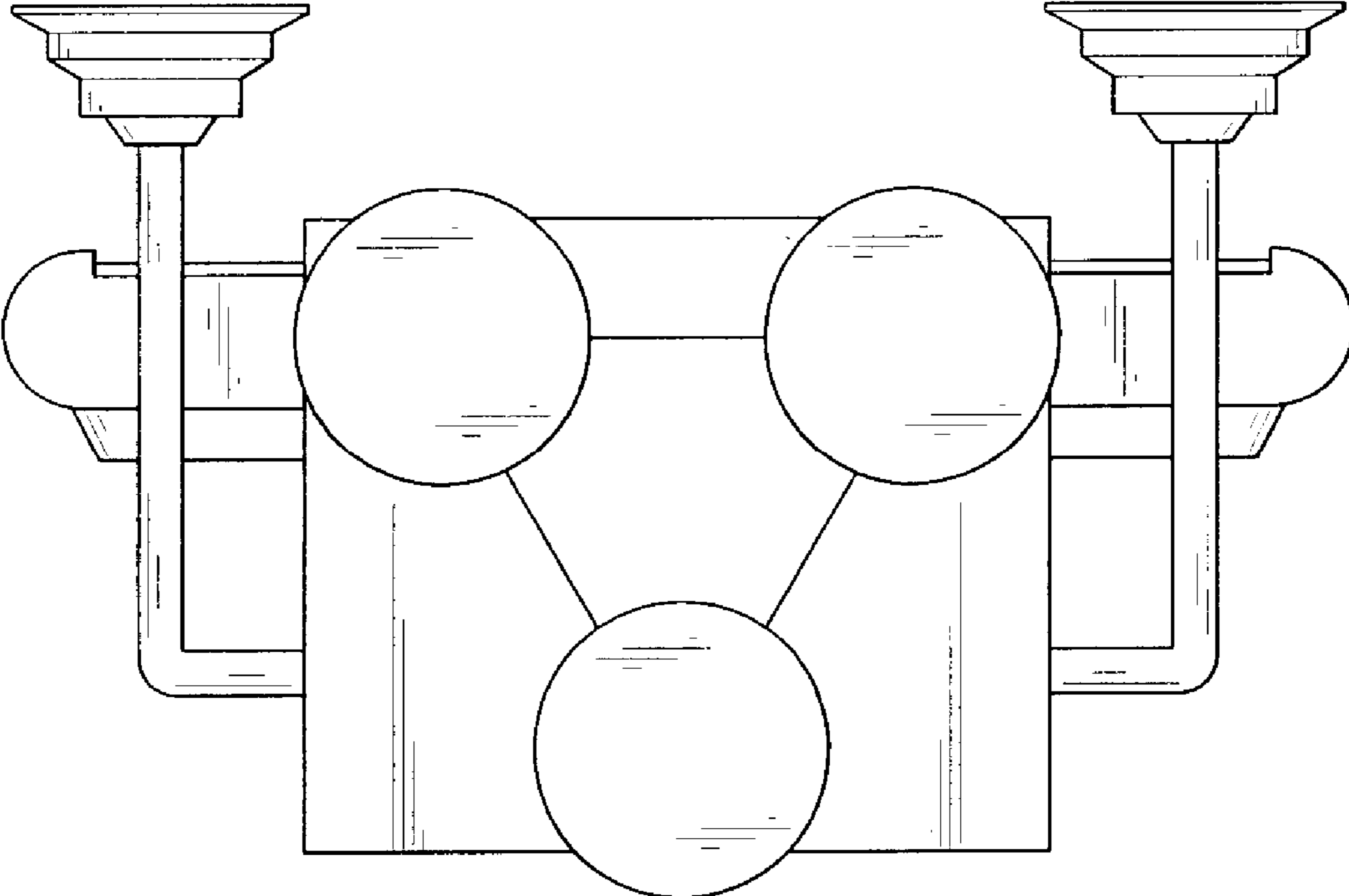
**FIG. 4**



**FIG. 5**



**FIG. 6**



**FIG. 7**