



US00D528081S

(12) **United States Design Patent**
Brunner et al.

(10) **Patent No.:** **US D528,081 S**

(45) **Date of Patent:** **** Sep. 12, 2006**

(54) **TELEVISION SET**

(75) Inventors: **Bob Brunner**, San Francisco, CA (US);
Jacques Gagne, Los Gatos, CA (US);
Ben Chia, San Francisco, CA (US)

(73) Assignee: **Hannspree Inc.**, Taipei (TW)

(**) Term: **14 Years**

(21) Appl. No.: **29/220,780**

(22) Filed: **Jan. 6, 2005**

(30) **Foreign Application Priority Data**

Nov. 5, 2004 (TW) 93306582

(51) **LOC (8) Cl.** **14-03**

(52) **U.S. Cl.** **D14/126**

(58) **Field of Classification Search** D14/125-134,
D14/239, 371, 136, 374-377; 312/7.2; 348/836,
348/838, 180, 184, 325, 739; 341/12; 248/917-924,
248/465; 345/104, 133, 156, 168, 87, 173;
720/605, 669, 600, 655; 369/99, 197; 455/344-347
See application file for complete search history.

(56) **References Cited**

U.S. PATENT DOCUMENTS

D293,579 S * 1/1988 Davis D14/375

D453,153 S * 1/2002 Yu et al. D14/240
D471,550 S * 3/2003 Lin D14/375
D481,038 S * 10/2003 Borsboom et al. D14/375
D484,131 S * 12/2003 Olson et al. D14/375
D489,064 S * 4/2004 Chang D14/371
D496,660 S * 9/2004 Liu D14/371

* cited by examiner

Primary Examiner—Raphael Barkai

(74) *Attorney, Agent, or Firm*—Thomas, Kayden,
Horstemeyer & Risley

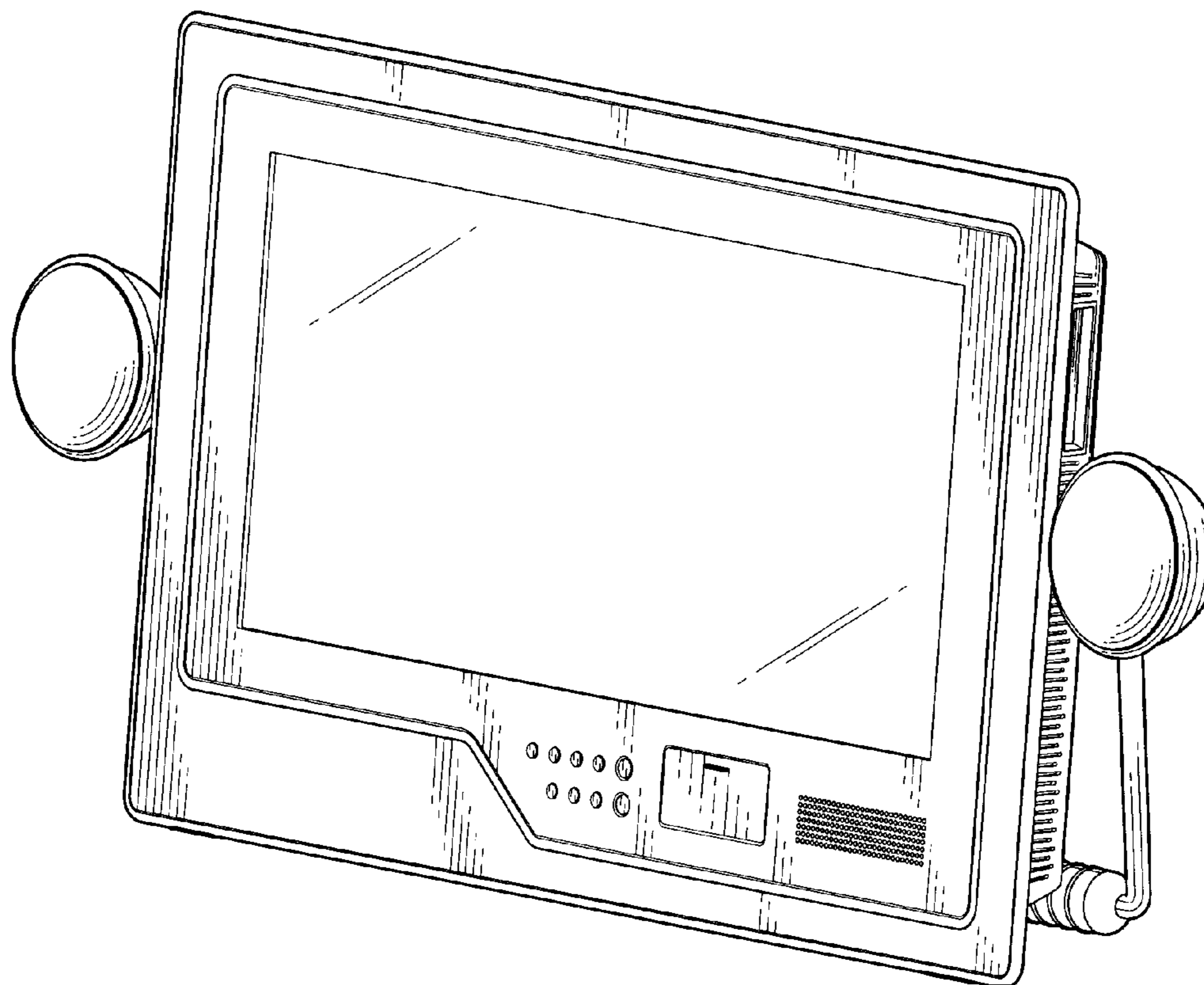
(57) **CLAIM**

The ornamental design for a television set, as shown and described.

DESCRIPTION

FIG. 1 is a front perspective view thereof;
FIG. 2 is a front elevational view thereof;
FIG. 3 is a rear elevational view thereof;
FIG. 4 is a left side elevational view thereof;
FIG. 5 is a right side elevational view thereof;
FIG. 6 is a top plan view thereof; and,
FIG. 7 is a bottom plan view thereof.

1 Claim, 7 Drawing Sheets



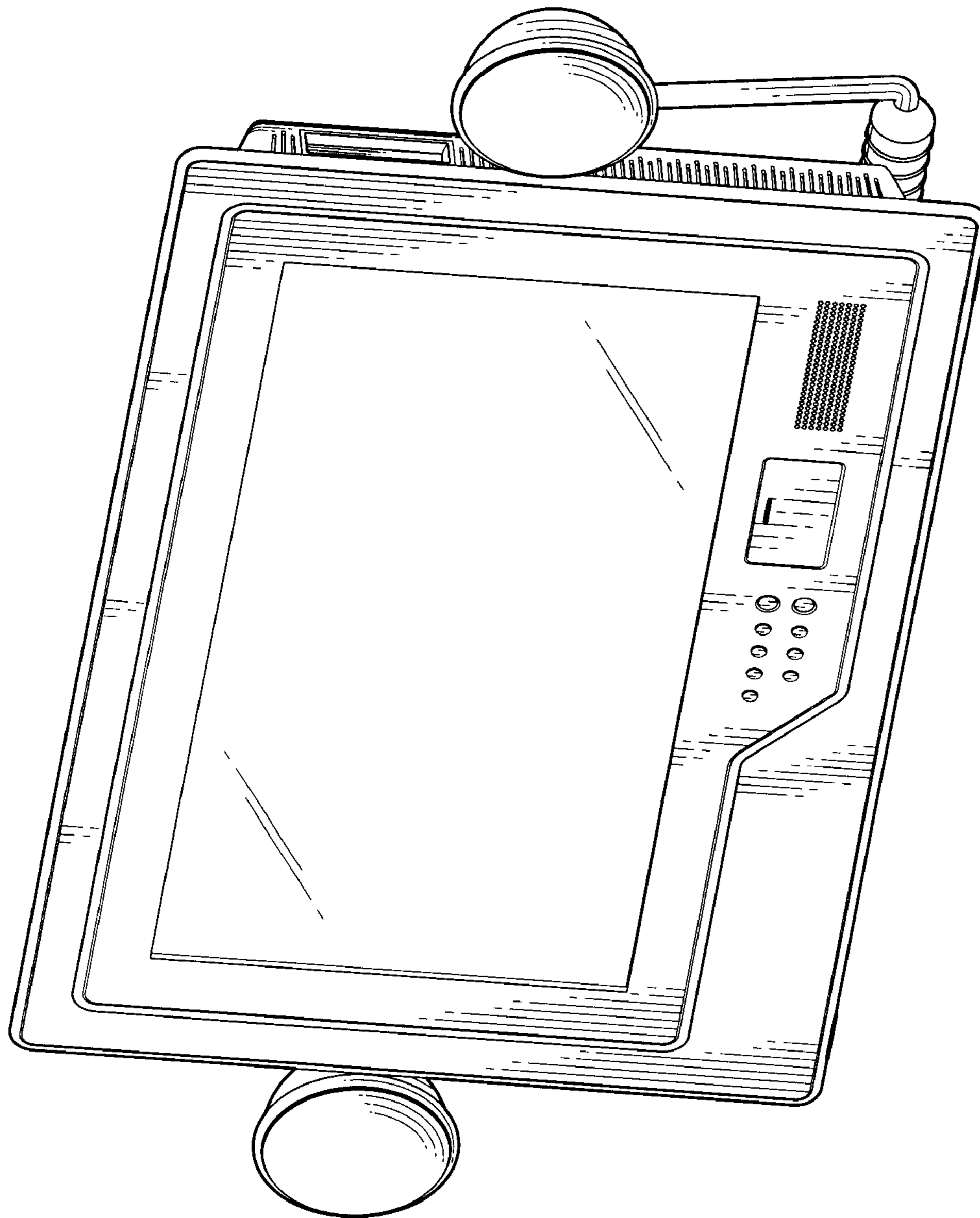


FIG. 1

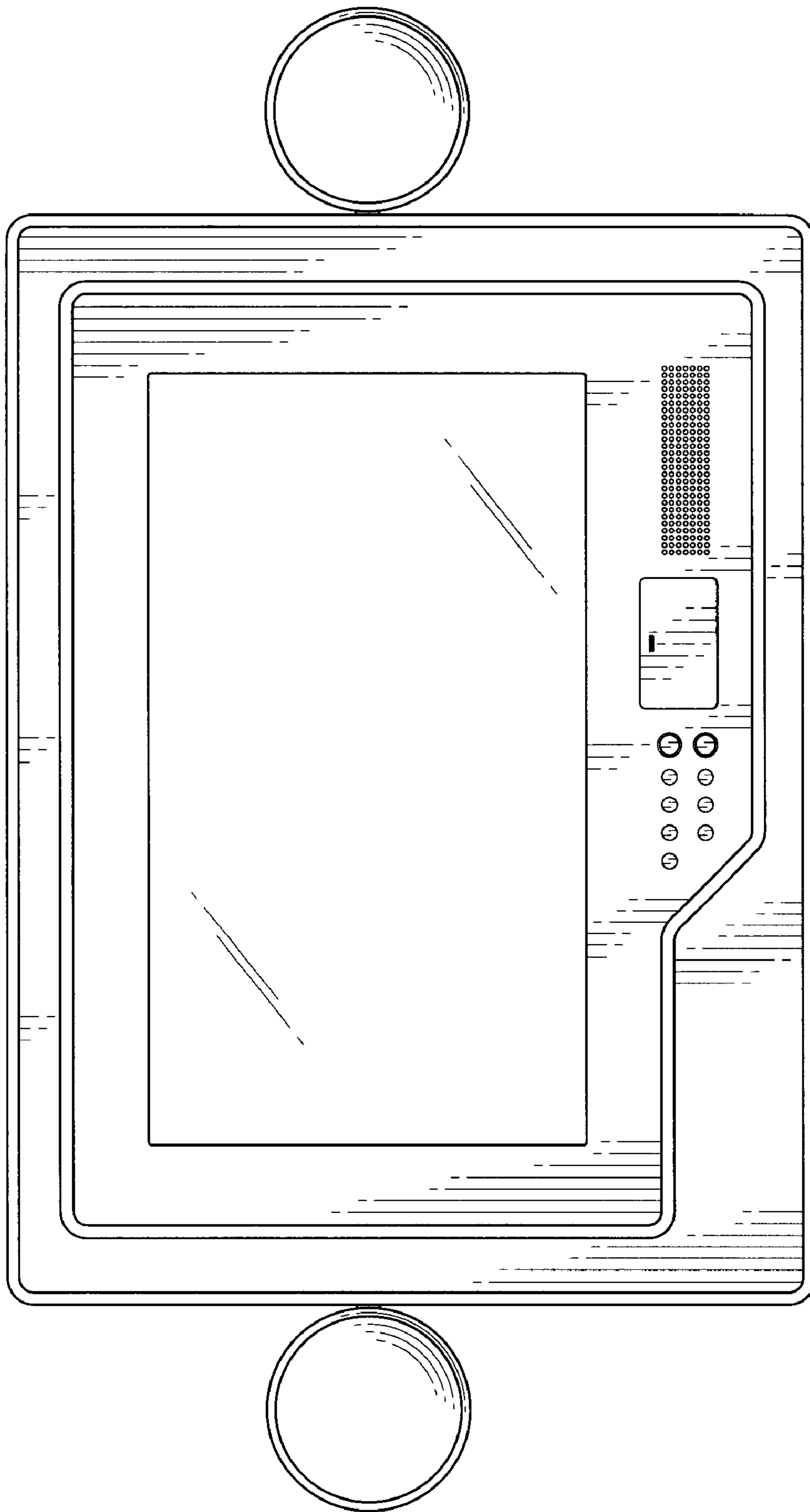


FIG. 2

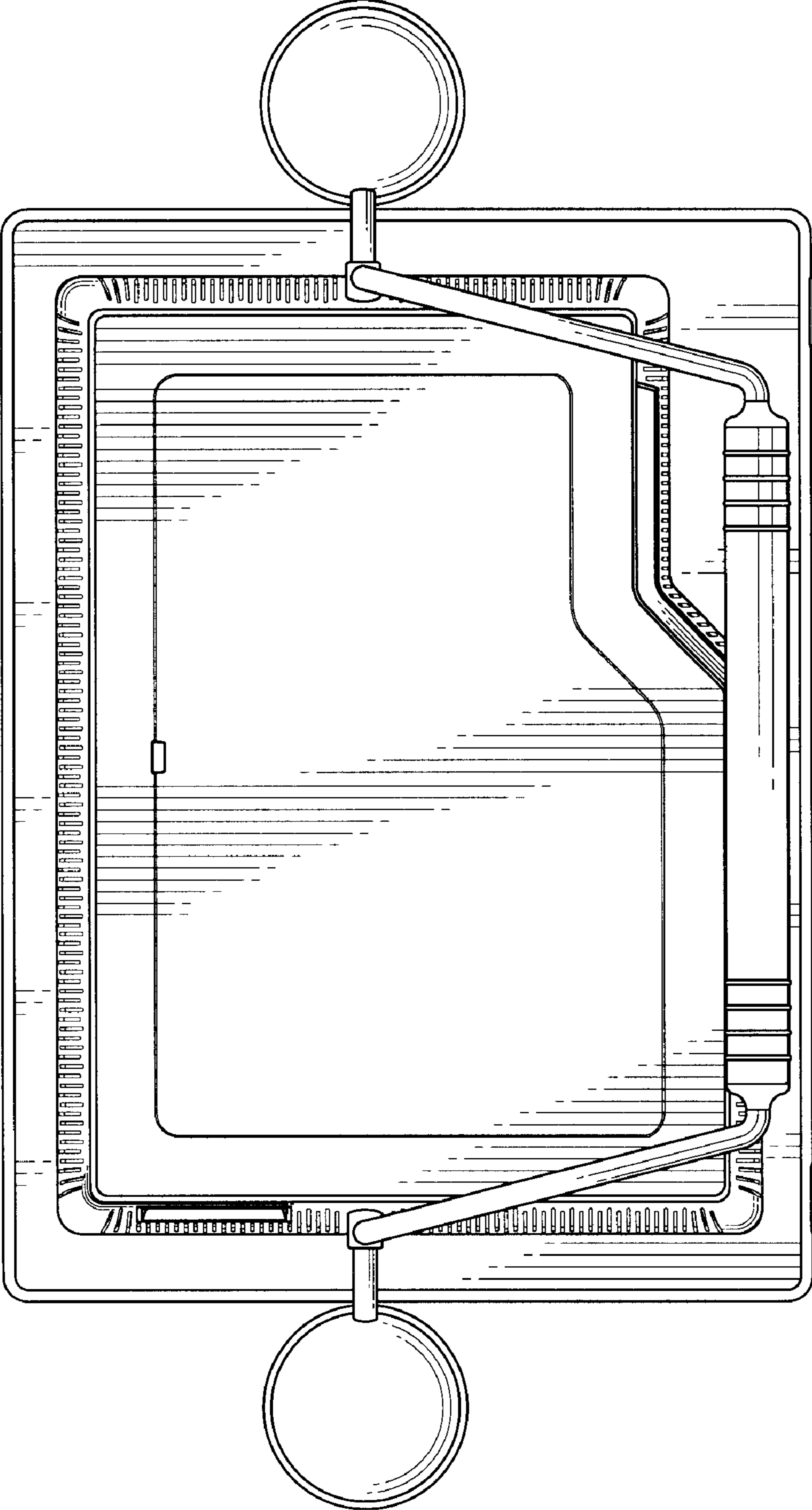


FIG. 3

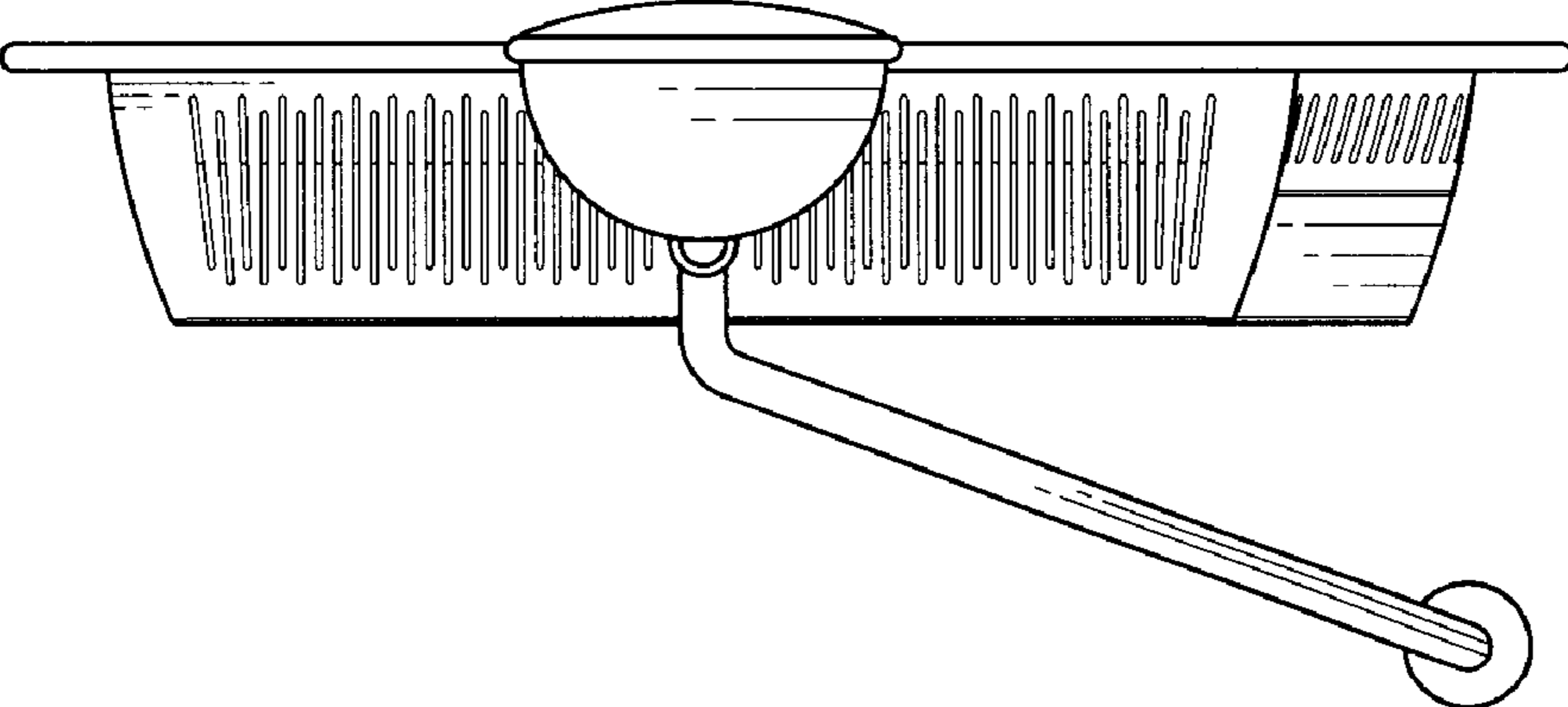


FIG. 4

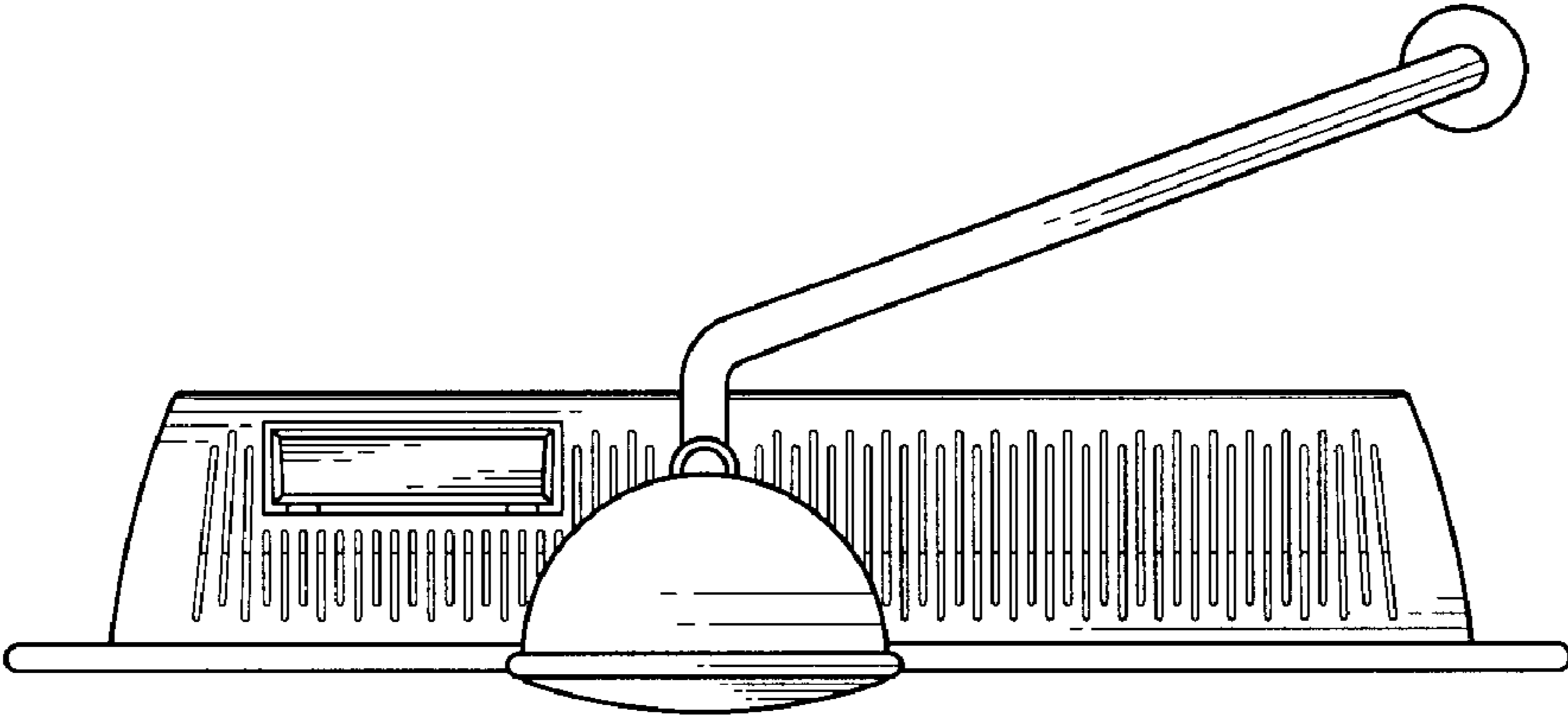


FIG. 5

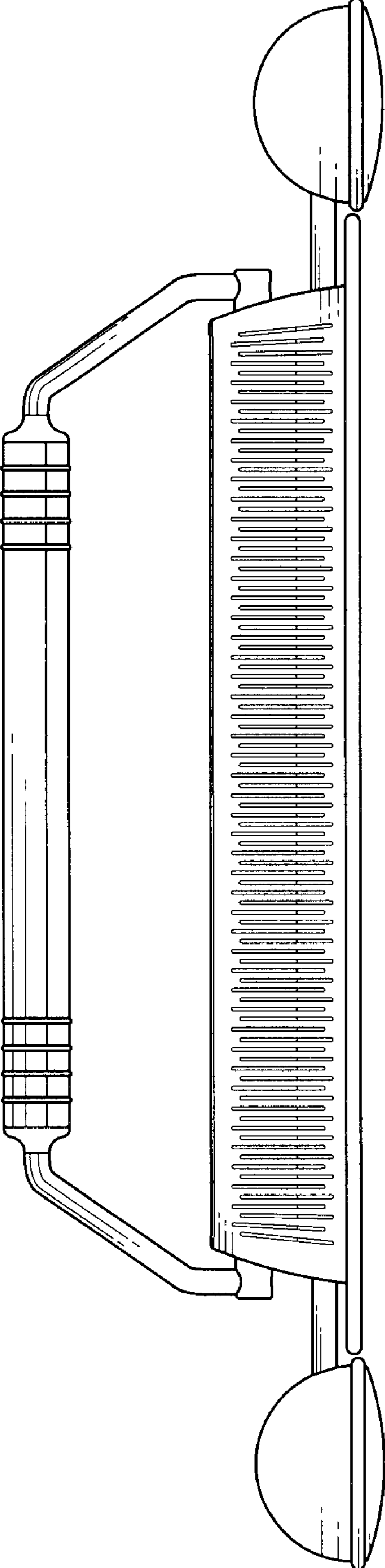


FIG. 6

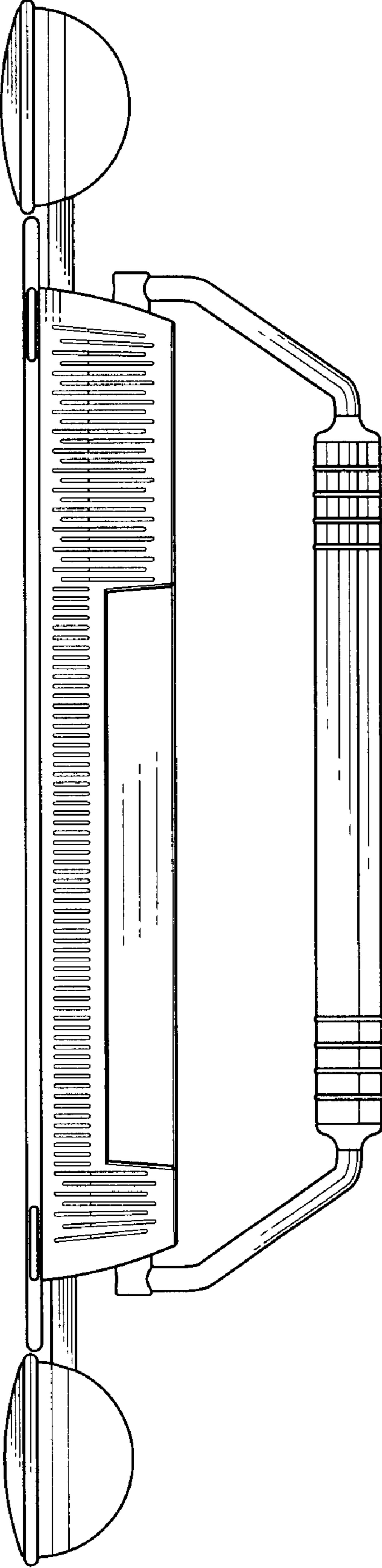


FIG. 7