

US00D528078S

(12) **United States Design Patent**
Krieger et al.

(10) **Patent No.:** **US D528,078 S**

(45) **Date of Patent:** **** Sep. 12, 2006**

(54) **CAR POWER DC ADAPTER**

(75) Inventors: **Michael Krieger**, Miami Beach, FL
(US); **Kevin Ellsworth**, Hollywood, FL
(US)

(73) Assignee: **Vector Products, Inc.**, Ft. Lauderdale,
FL (US)

(**) Term: **14 Years**

(21) Appl. No.: **29/228,756**

(22) Filed: **Apr. 28, 2005**

(51) **LOC (8) Cl.** **13-03**

(52) **U.S. Cl.** **D13/144**

(58) **Field of Classification Search** D13/107,
D13/110, 144, 184; D14/155, 240; 320/110-112,
320/114; 363/146; 439/300, 620, 638, 668-669,
439/675, 825
See application file for complete search history.

(56) **References Cited**

U.S. PATENT DOCUMENTS

D384,036 S	*	9/1997	Janci	D13/144
D403,663 S	*	1/1999	Jones et al.	D13/144
D404,037 S	*	1/1999	Gomez et al.	D14/240
D410,432 S	*	6/1999	Park	D13/110
D434,724 S	*	12/2000	Wharton	D13/110
6,193,558 B1	*	2/2001	Yang	439/638
D455,712 S	*	4/2002	Hsiao	D13/108

D456,007 S	*	4/2002	Kuo	D13/110
D469,400 S	*	1/2003	Shor et al.	D13/107
D489,326 S	*	5/2004	Nazar	D13/110
D490,058 S	*	5/2004	Mkhitarian	D13/144
D496,904 S	*	10/2004	Nazar	D13/110
D503,675 S	*	4/2005	Lodato et al.	D13/107

* cited by examiner

Primary Examiner—Alan P. Douglas

Assistant Examiner—Rosemary K. Tarcza

(74) *Attorney, Agent, or Firm*—Venable LLP; Robert Kinberg; Manni Li

(57) **CLAIM**

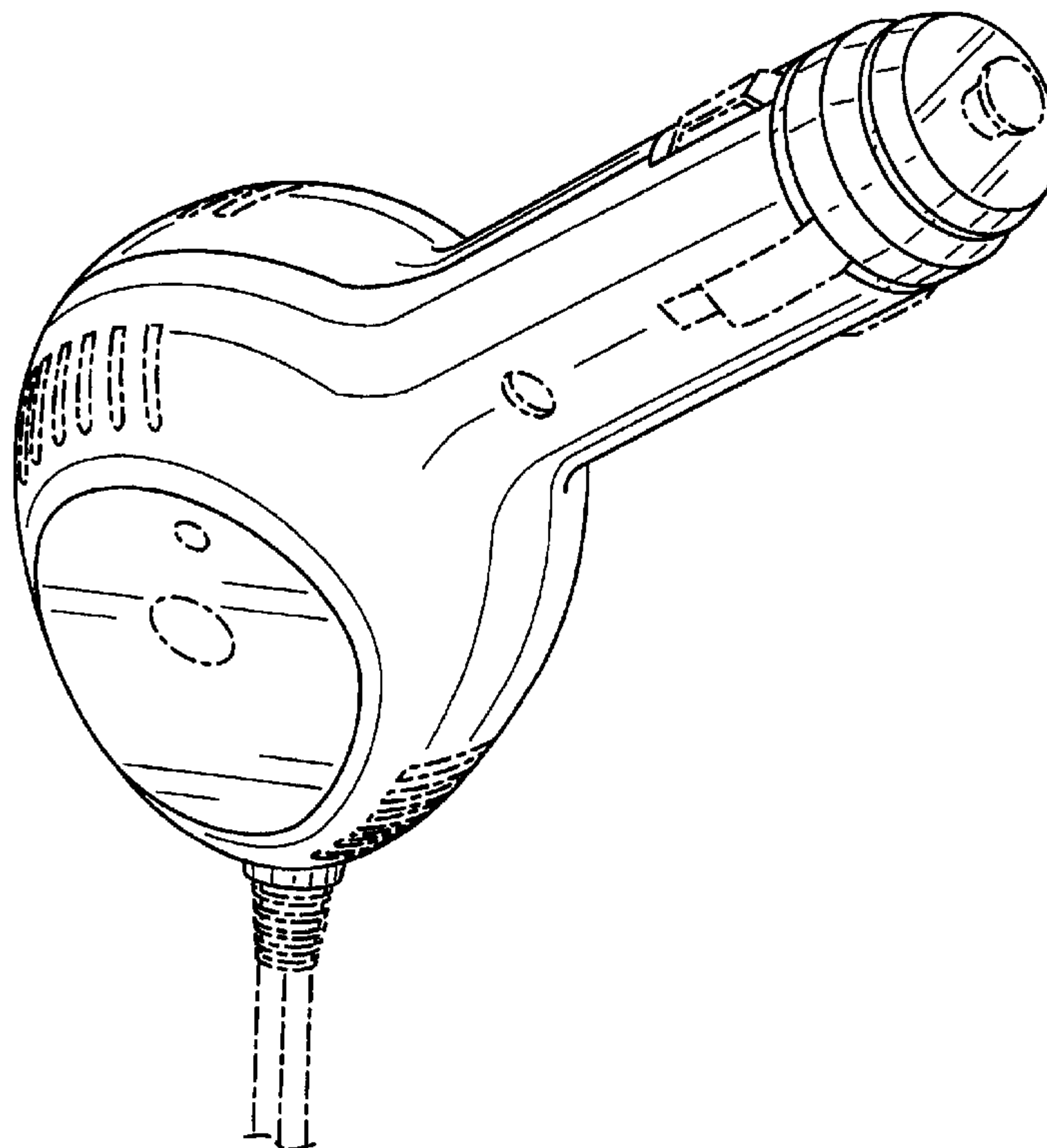
The ornamental design for a car power DC adapter, as shown and described.

DESCRIPTION

FIG. 1 is a perspective view from the front-top-left side of the car power DC adapter showing our new design; FIG. 2 is a front view of the design shown in FIG. 1; FIG. 3 is a rear view of the design shown in FIG. 1; FIG. 4 is a left side view of the design shown in FIG. 1; FIG. 5 is a right side view of the design shown in FIG. 1; FIG. 6 is a top view of the design shown in FIG. 1; and, FIG. 7 is a bottom view of the design shown in FIG. 1.

The broken lines immediately adjacent the shaded areas represent the bounds of the claimed design while all other broken lines are for illustrative purposes only; the broken lines form no part of the claimed design.

1 Claim, 7 Drawing Sheets



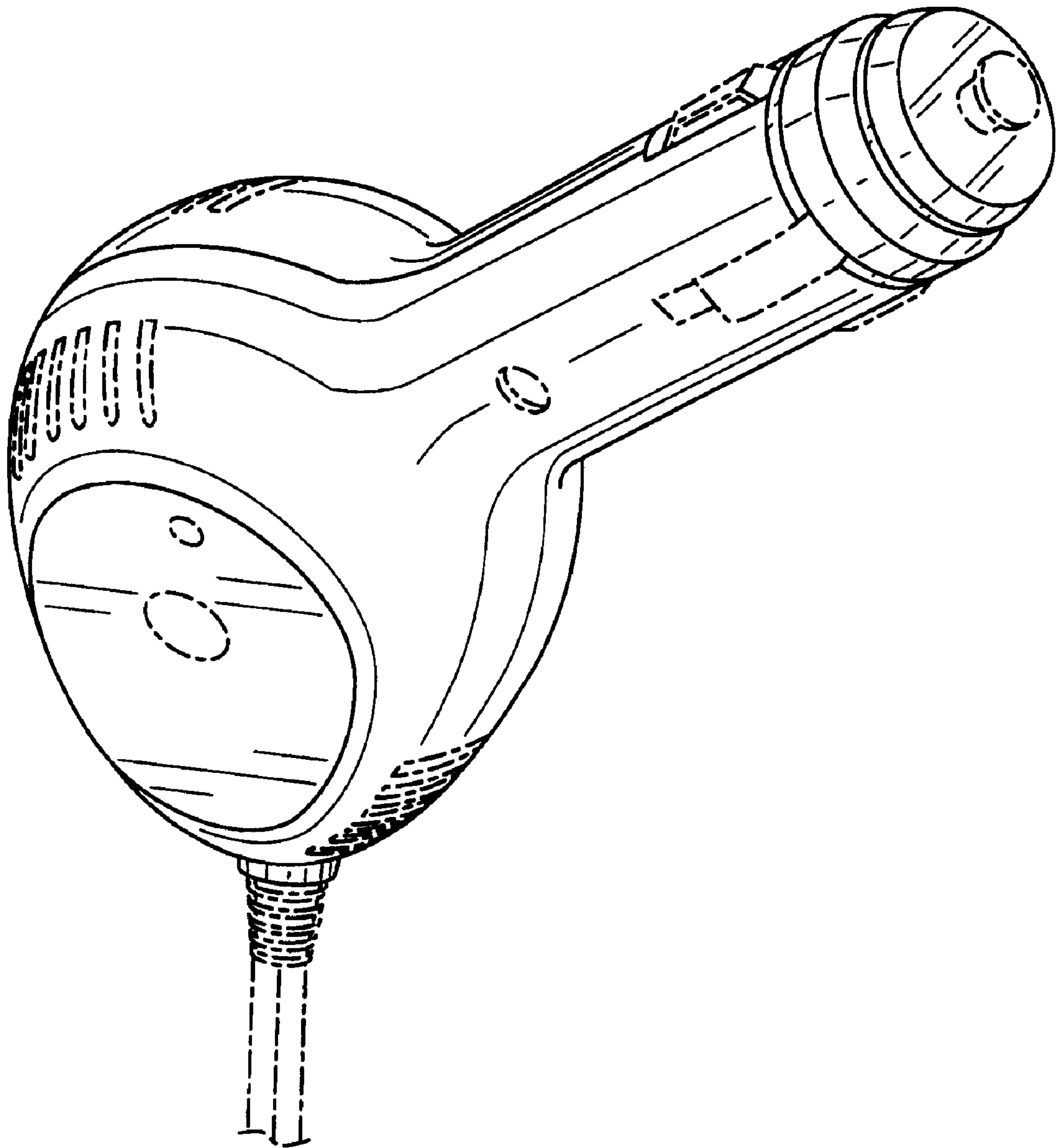


FIG. 1

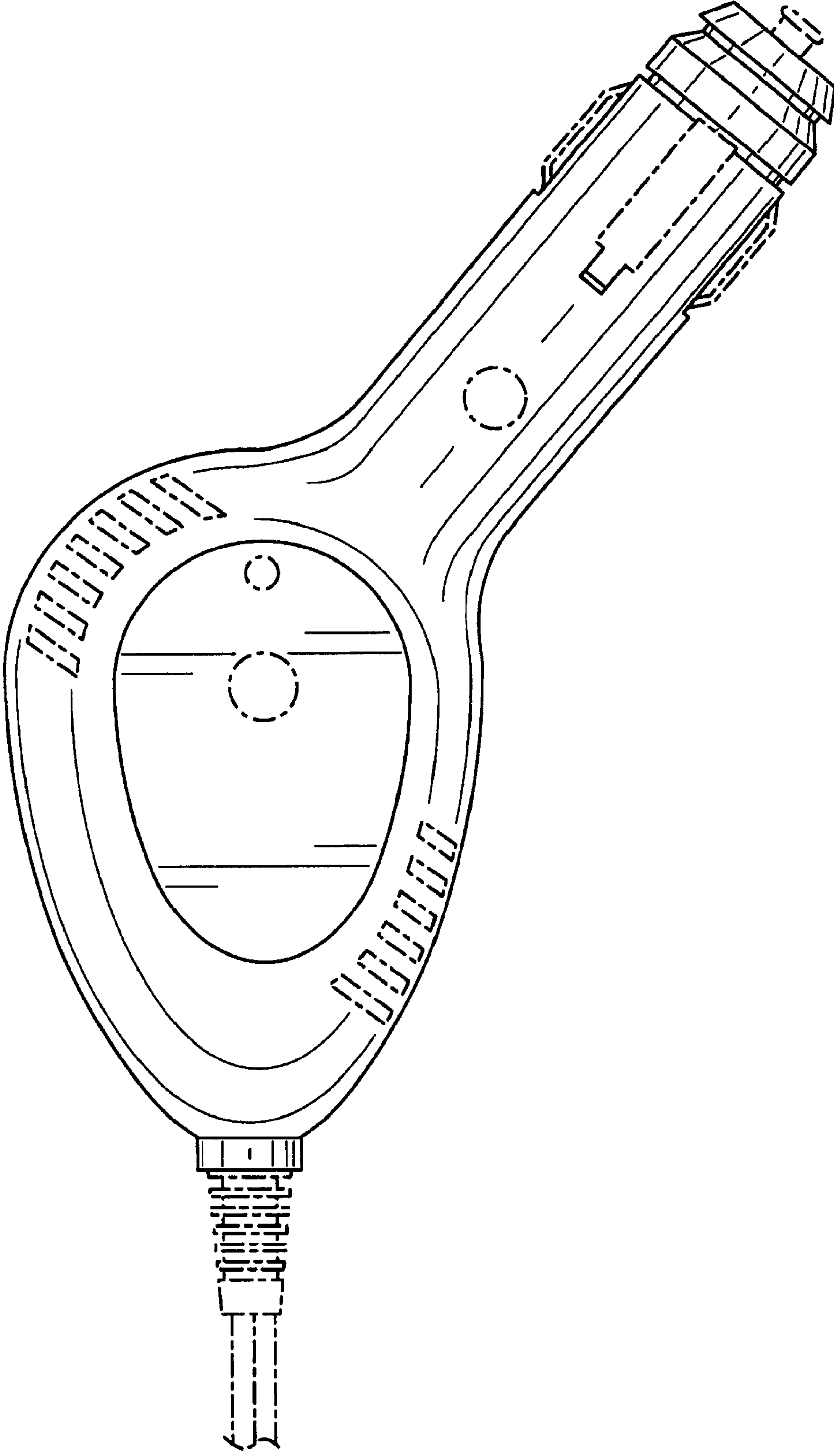


FIG. 2

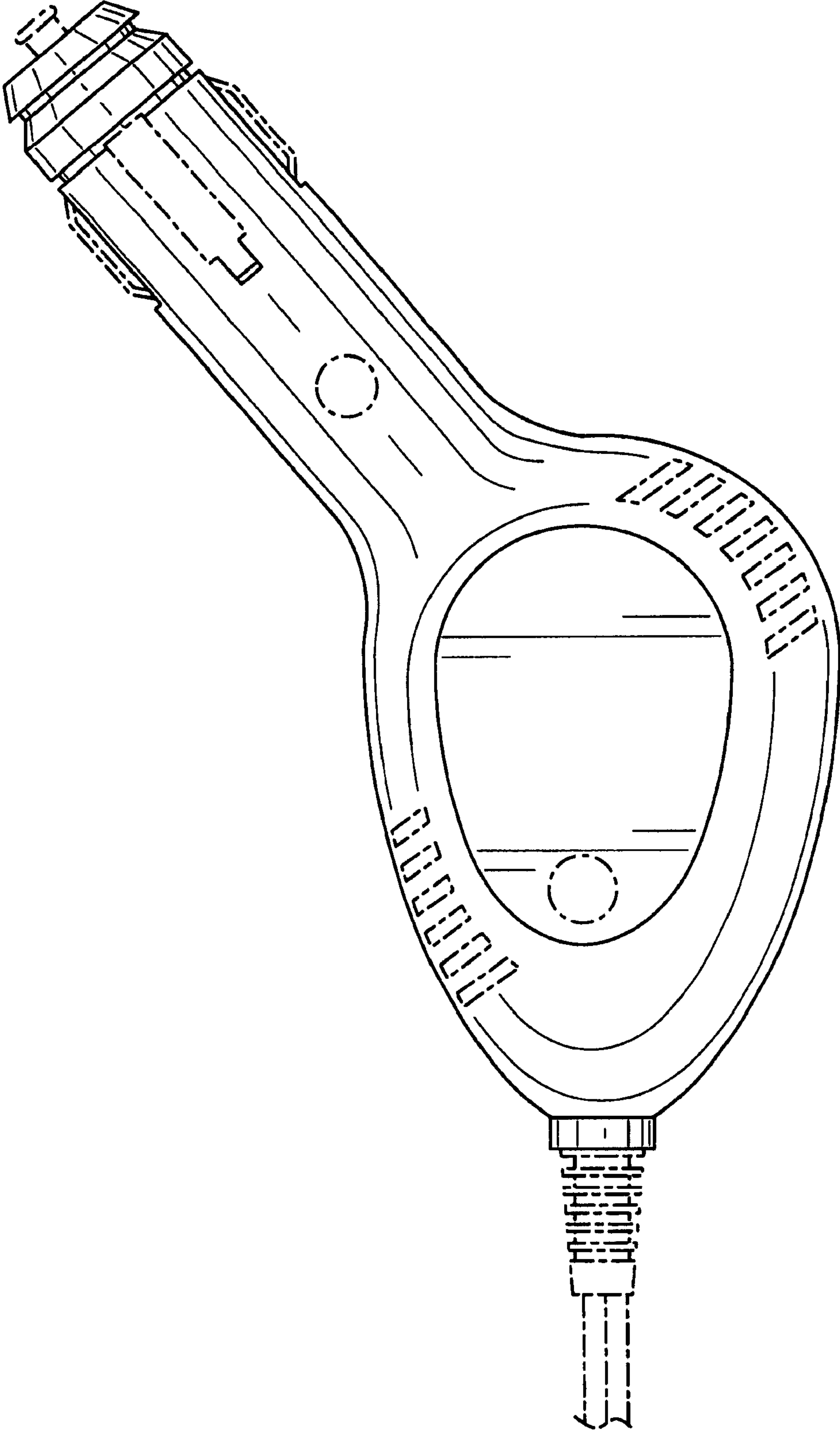


FIG. 3

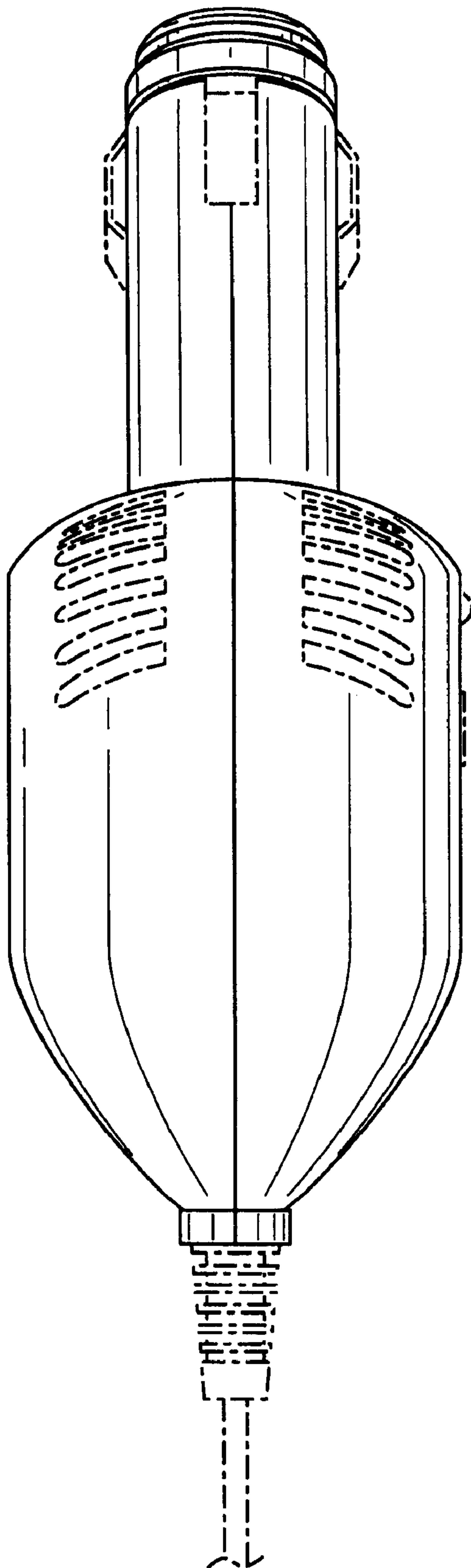


FIG. 4

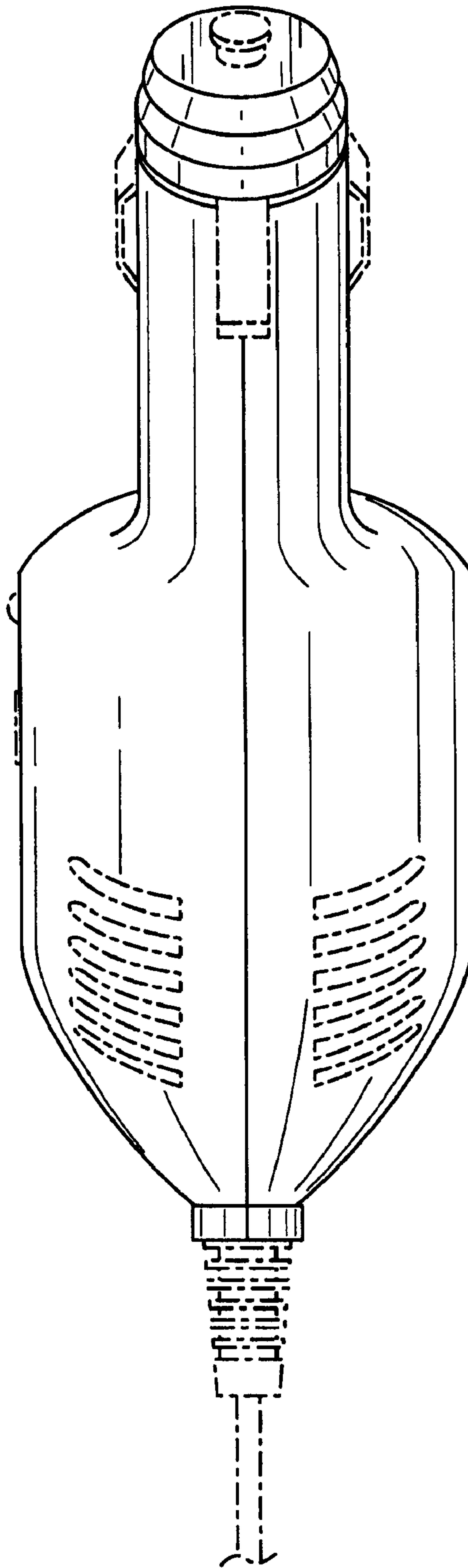


FIG. 5

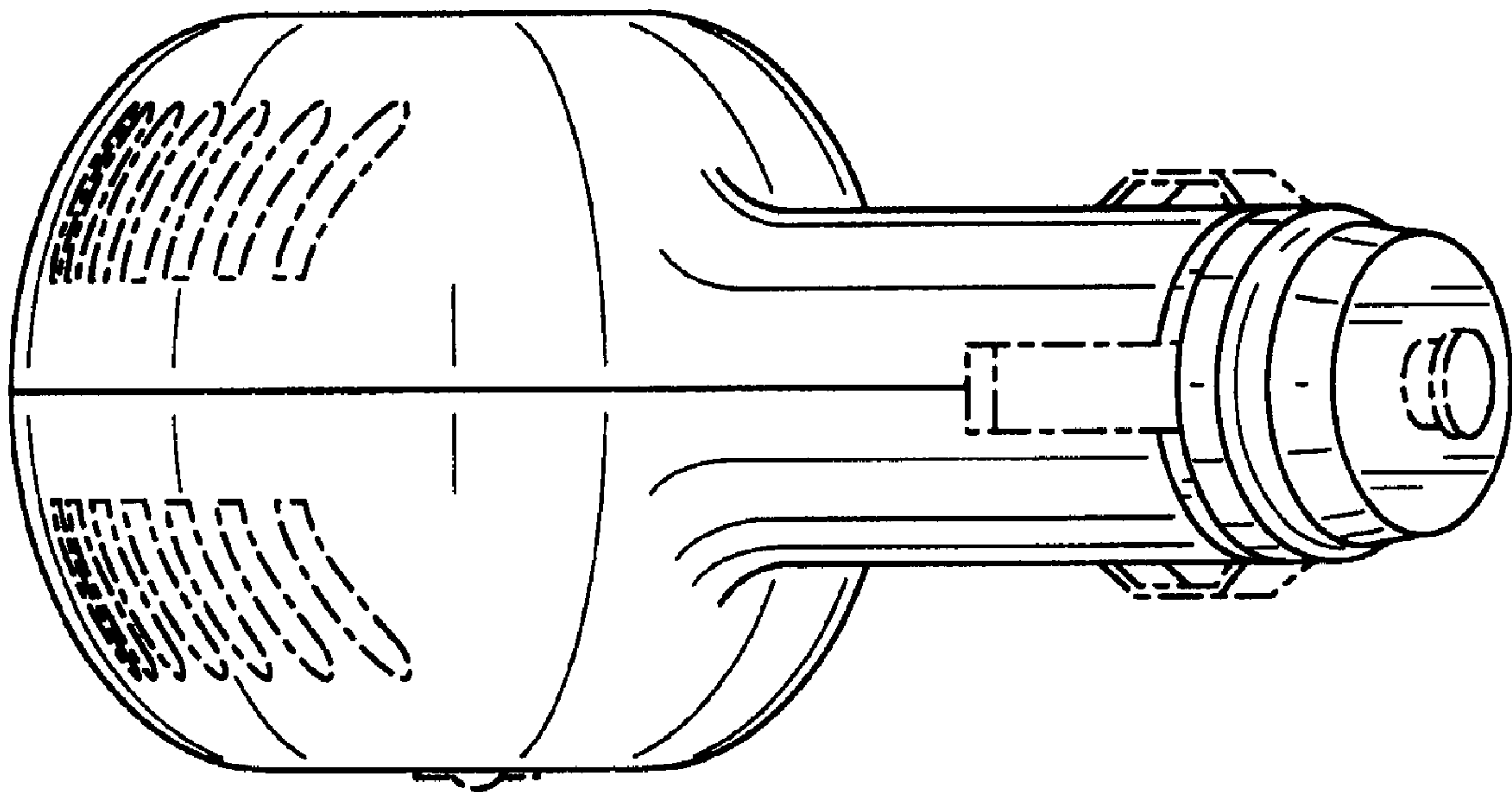


FIG. 6

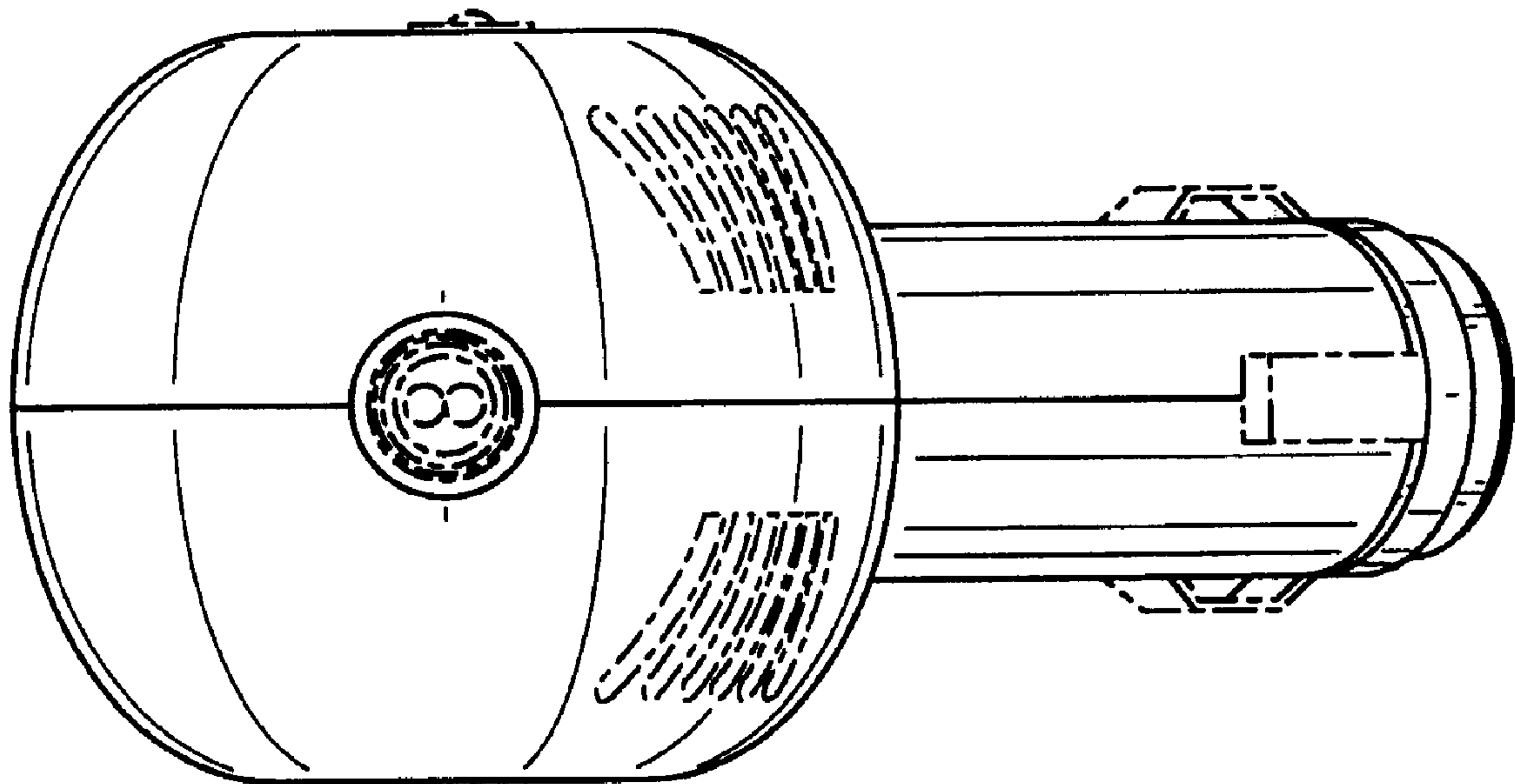


FIG. 7