



US00D528075S

(12) **United States Design Patent**  
**Sugeno et al.**

(10) **Patent No.:** **US D528,075 S**

(45) **Date of Patent:** **\*\* Sep. 12, 2006**

(54) **BATTERY**

(75) Inventors: **Kazuya Sugeno**, Fukushima (JP);  
**Hajime Ishihara**, Tokyo (JP)

(73) Assignee: **Sony Computer Entertainment Inc.**,  
Tokyo (JP)

(\*\*) Term: **14 Years**

(21) Appl. No.: **29/224,851**

(22) Filed: **Mar. 9, 2005**

(30) **Foreign Application Priority Data**

Sep. 21, 2004 (JP) ..... D2004-028466

(51) **LOC (8) Cl.** ..... **13-02**

(52) **U.S. Cl.** ..... **D13/119**

(58) **Field of Classification Search** ..... D13/102-106,  
D13/110, 118-119, 184; 429/96-100, 163,  
429/176

See application file for complete search history.

(56) **References Cited**

**U.S. PATENT DOCUMENTS**

- D264,580 S \* 5/1982 McKeeman ..... D13/103
- D276,428 S \* 11/1984 Burbank et al. .... D13/184
- D349,681 S \* 8/1994 Siddoway et al. .... D13/103
- D409,974 S 5/1999 Sasago
- D457,132 S \* 5/2002 Petherbridge et al. .... D13/103
- D467,538 S 12/2002 Kawasaki
- 6,610,443 B1 \* 8/2003 Paulot et al. .... 429/181
- D491,137 S 6/2004 Suzuki
- D492,649 S \* 7/2004 Resch et al. .... D13/103

- 6,824,916 B1 \* 11/2004 Vine ..... 429/96
- D503,923 S \* 4/2005 Asherian ..... D13/103
- 6,881,516 B1 \* 4/2005 Aamodt et al. .... 429/181
- D507,523 S \* 7/2005 Resch et al. .... D13/103
- D508,018 S \* 8/2005 Yokota ..... D13/103
- 2001/0049057 A1 \* 12/2001 Frustaci et al. .... 429/176

**FOREIGN PATENT DOCUMENTS**

GB D2076988 S 8/1999

\* cited by examiner

*Primary Examiner*—Alan P. Douglas

*Assistant Examiner*—Rosemary K. Tarcza

(74) *Attorney, Agent, or Firm*—Rader, Fishman & Grauer  
PLLC

(57) **CLAIM**

The ornamental design for a battery, as shown and described.

**DESCRIPTION**

FIG. 1 is a front elevational view of a battery showing our new design;

FIG. 2 is a rear elevational view thereof;

FIG. 3 is a left side elevational view thereof;

FIG. 4 is a right side elevational view thereof;

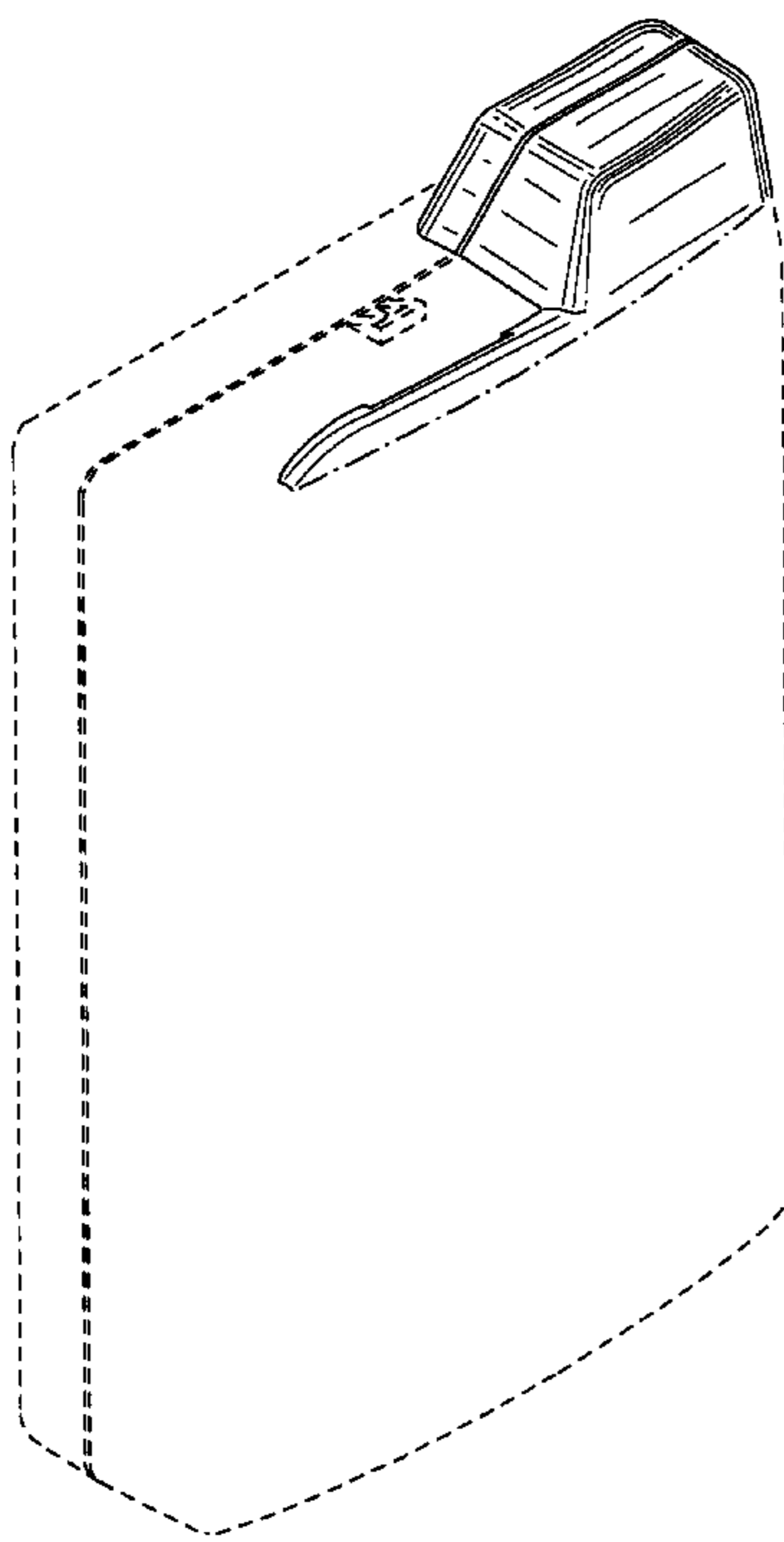
FIG. 5 is a top plan view thereof;

FIG. 6 is a rear right top perspective view thereof; and,

FIG. 7 is a front right top perspective view thereof.

The dash-broken lines immediately adjacent the shaded areas represent the bounds of the claimed design while all other broken lines are for illustrative purposes only; the broken lines form no part of the claimed design.

**1 Claim, 5 Drawing Sheets**



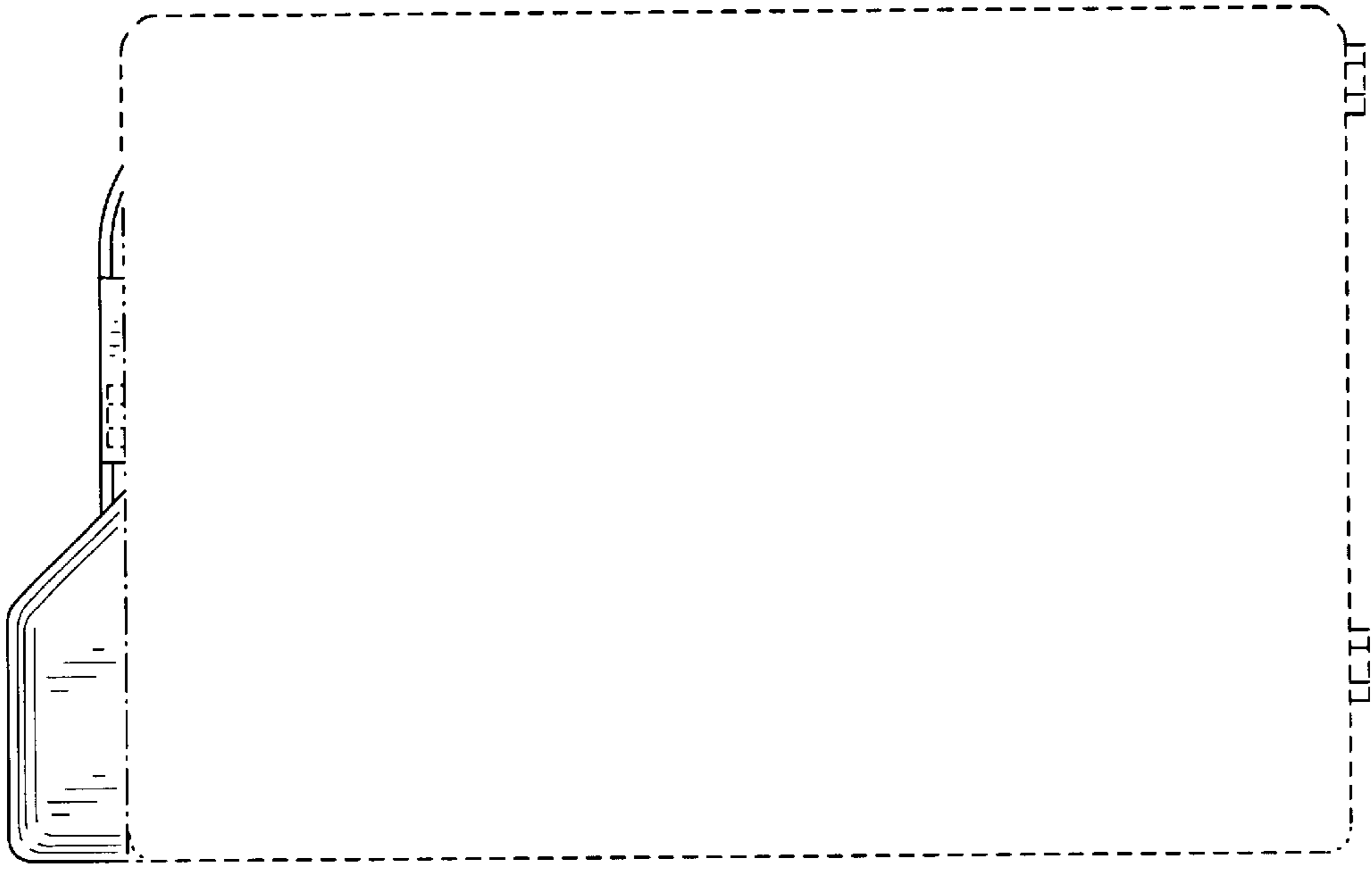


Fig. 2

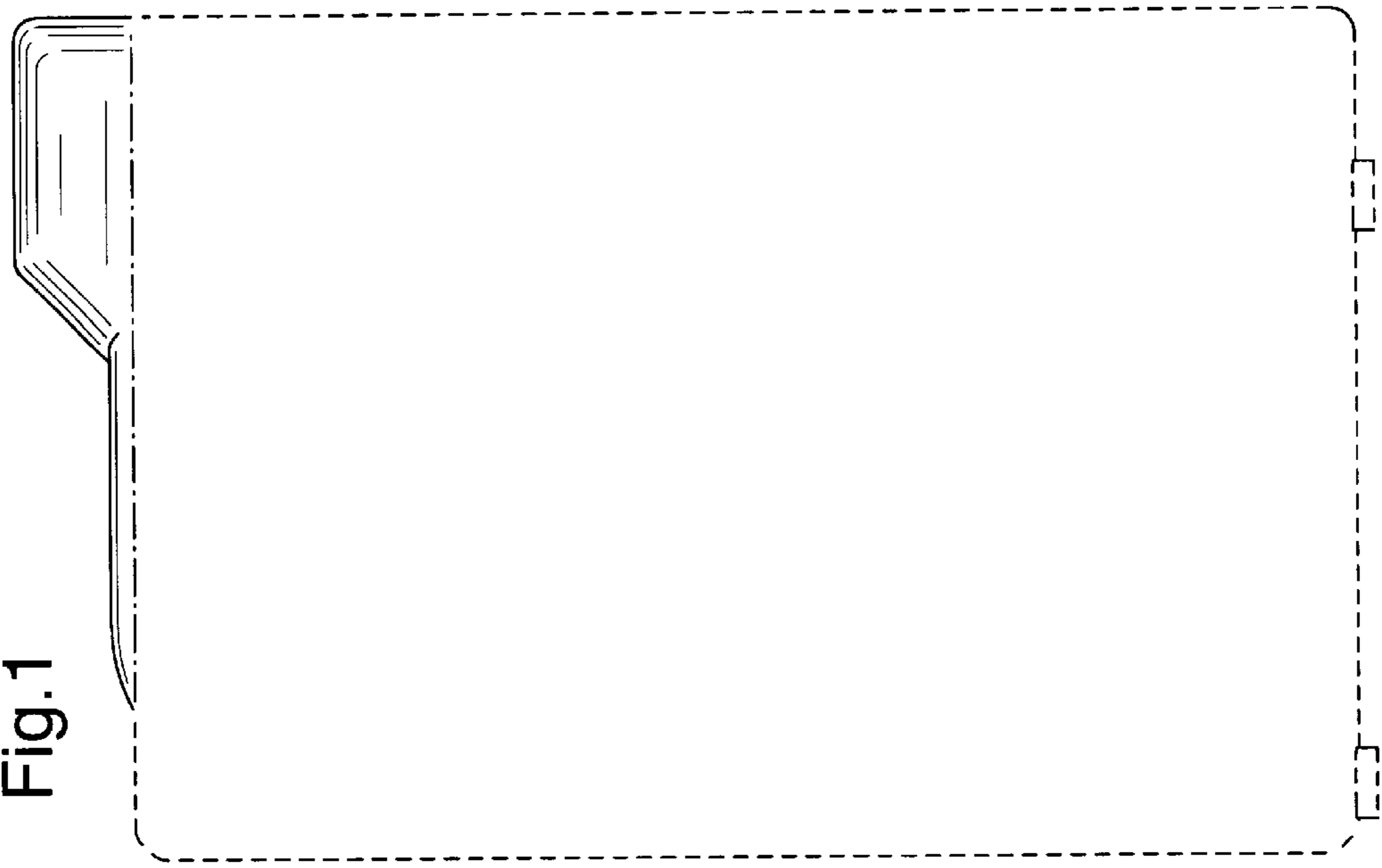


Fig. 1

Fig.3

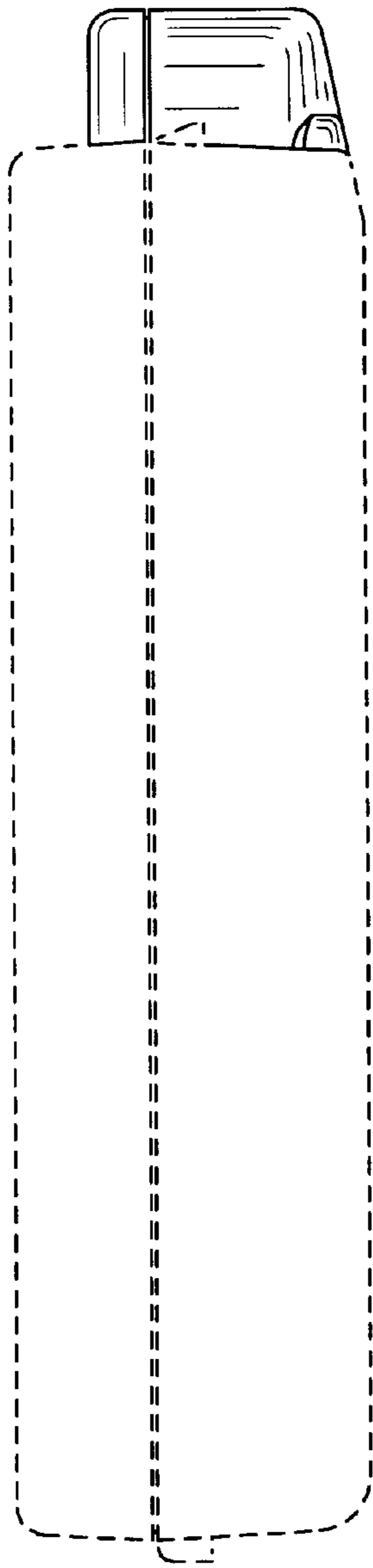


Fig.4

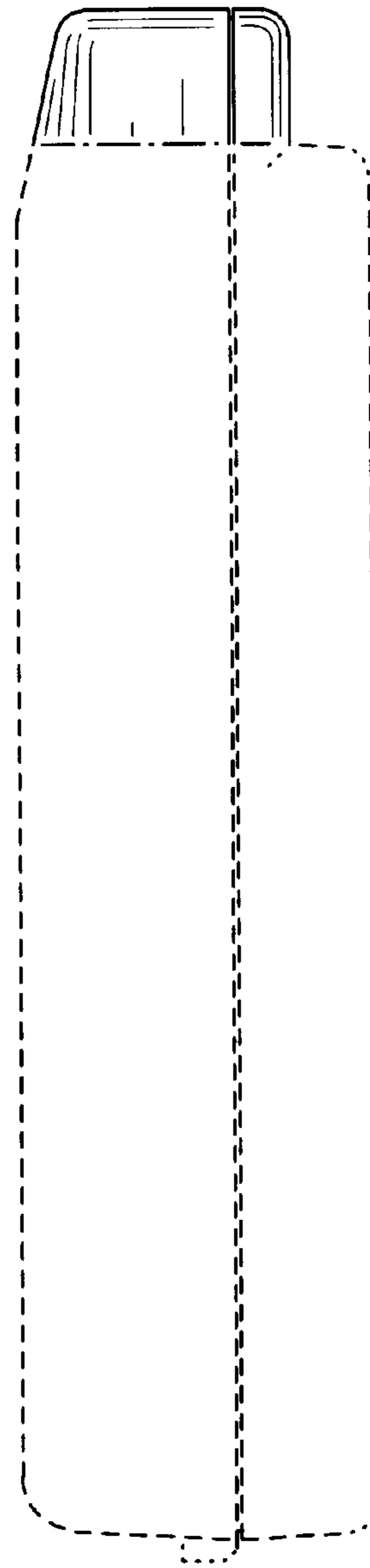


Fig.5

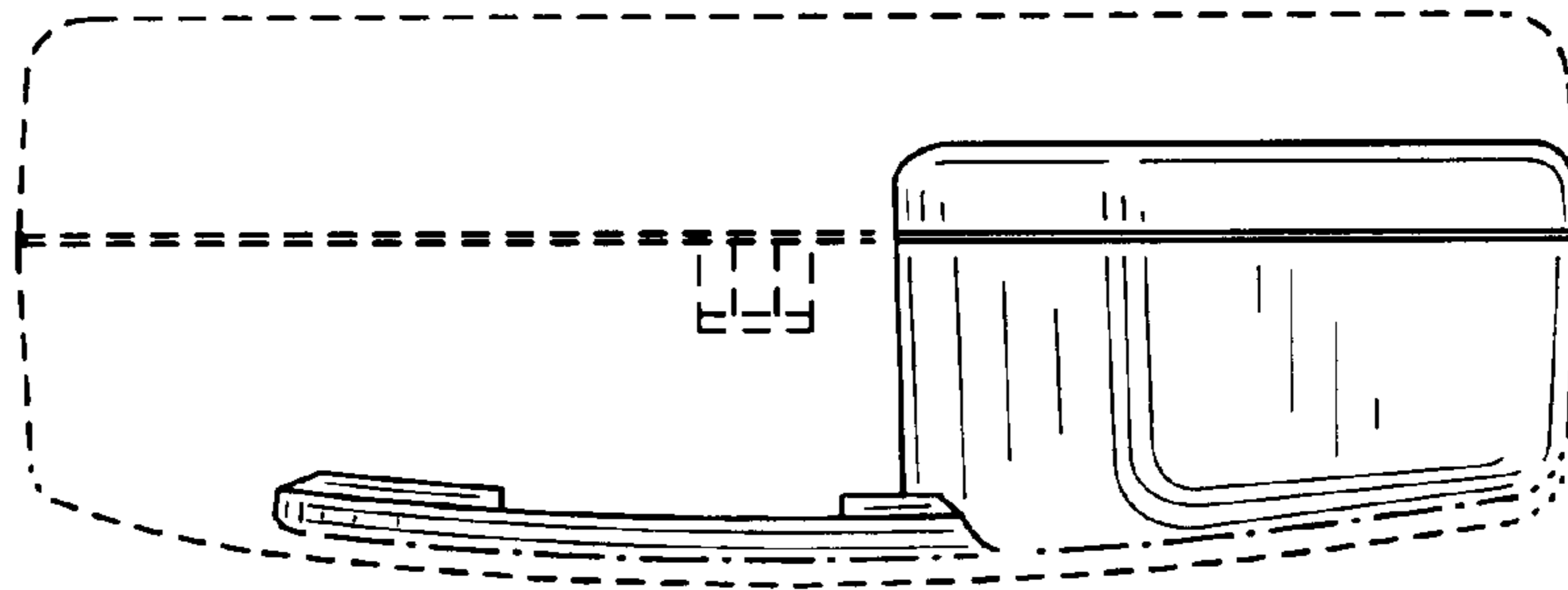


Fig.6

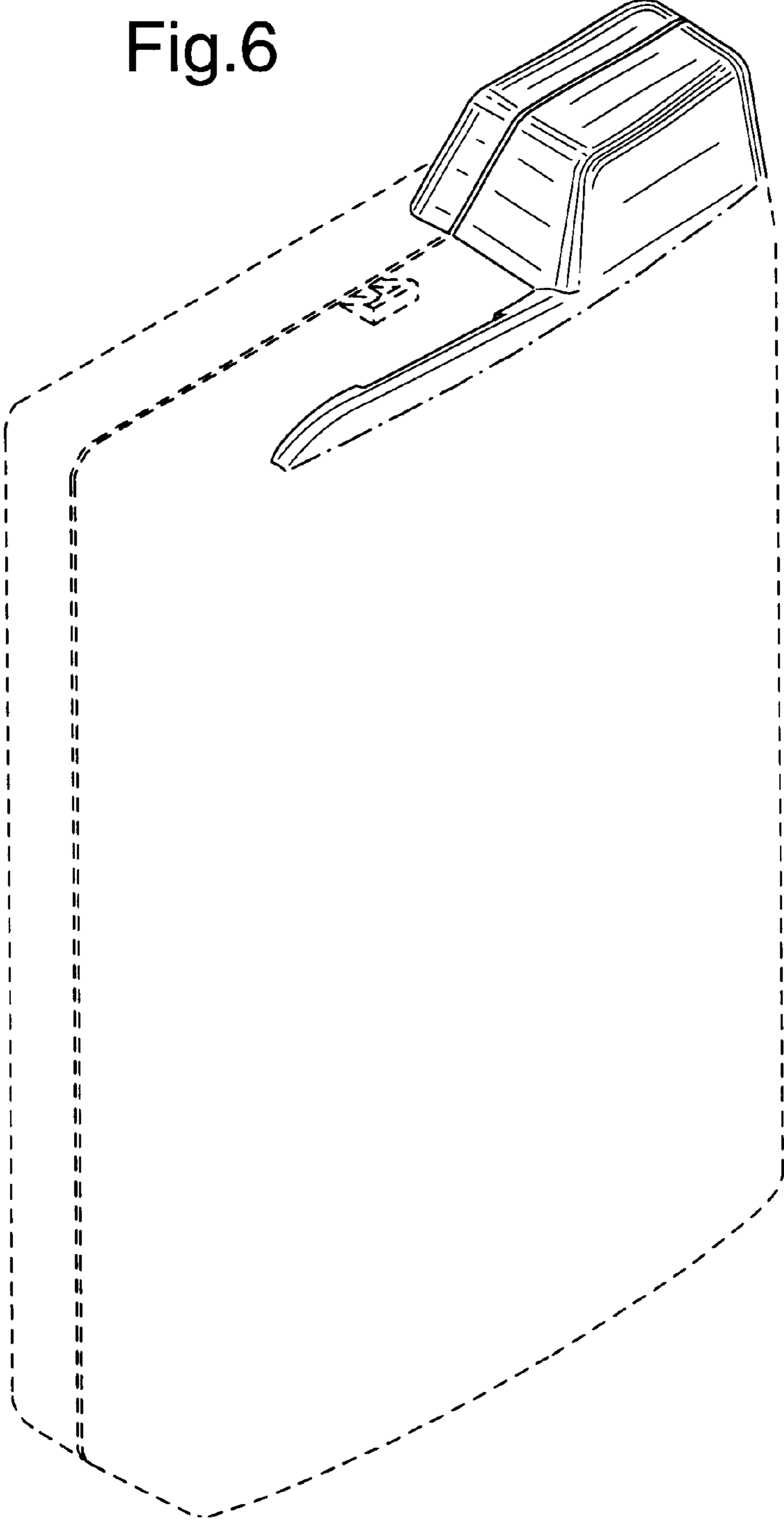
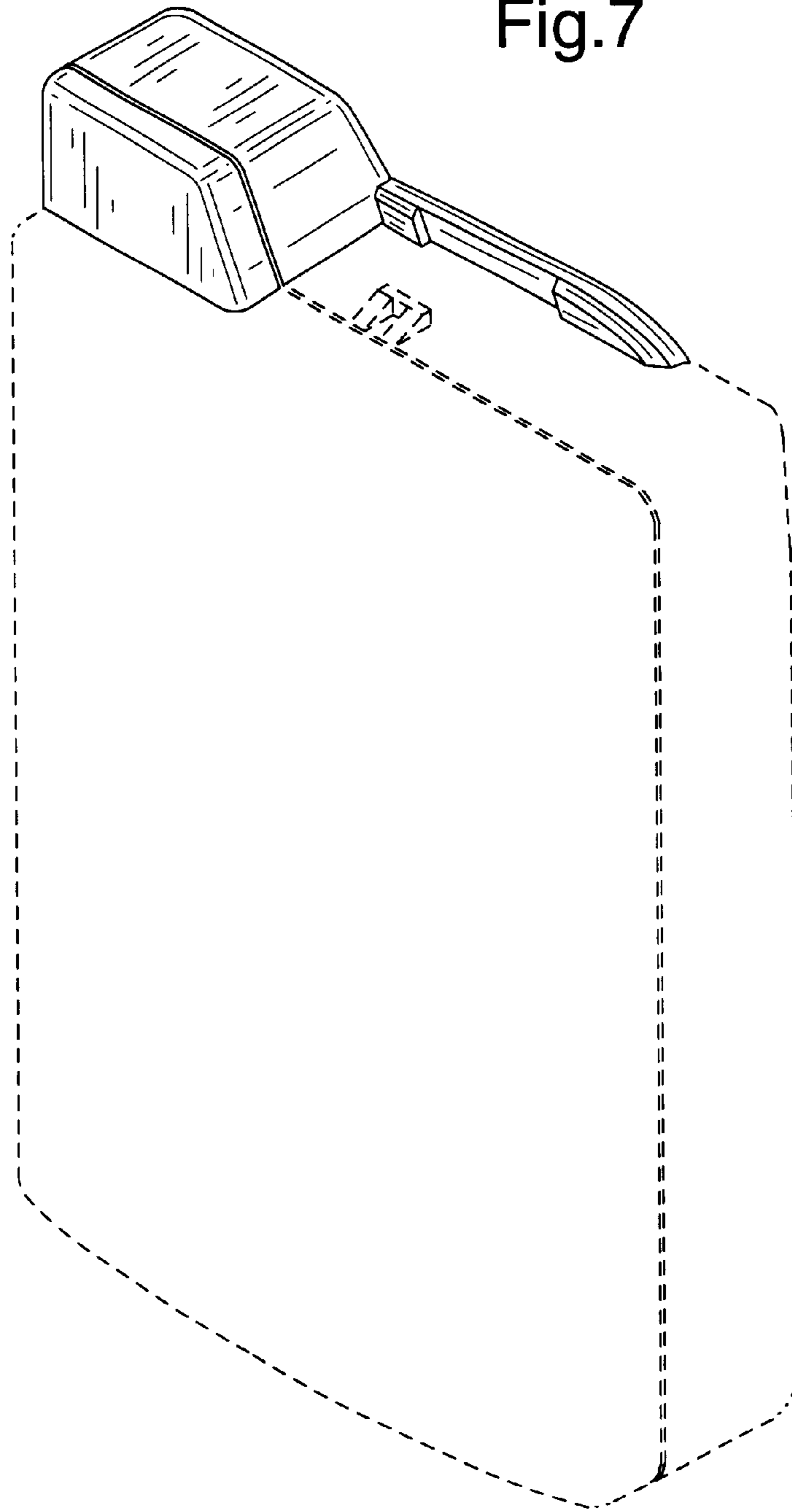


Fig.7



UNITED STATES PATENT AND TRADEMARK OFFICE  
**CERTIFICATE OF CORRECTION**

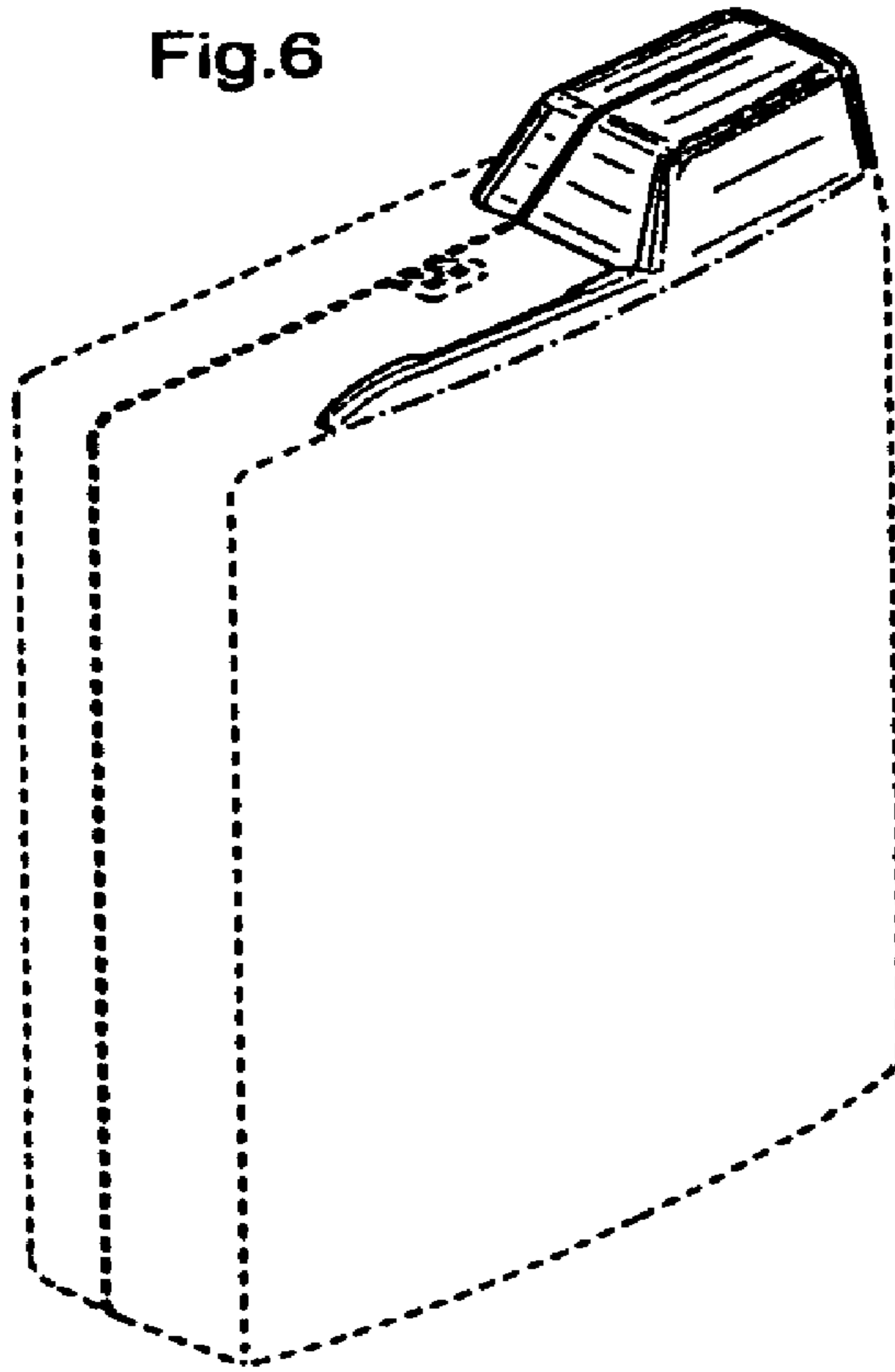
PATENT NO. : Des. 528,075 S  
APPLICATION NO. : 29/224851  
DATED : September 12, 2006  
INVENTOR(S) : Kazuya Sugeno et al.

Page 1 of 3

It is certified that error appears in the above-identified patent and that said Letters Patent is hereby corrected as shown below:

On the title page, correct the drawings of FIG. 6 as shown below. (On the attached page)

**Fig.6**



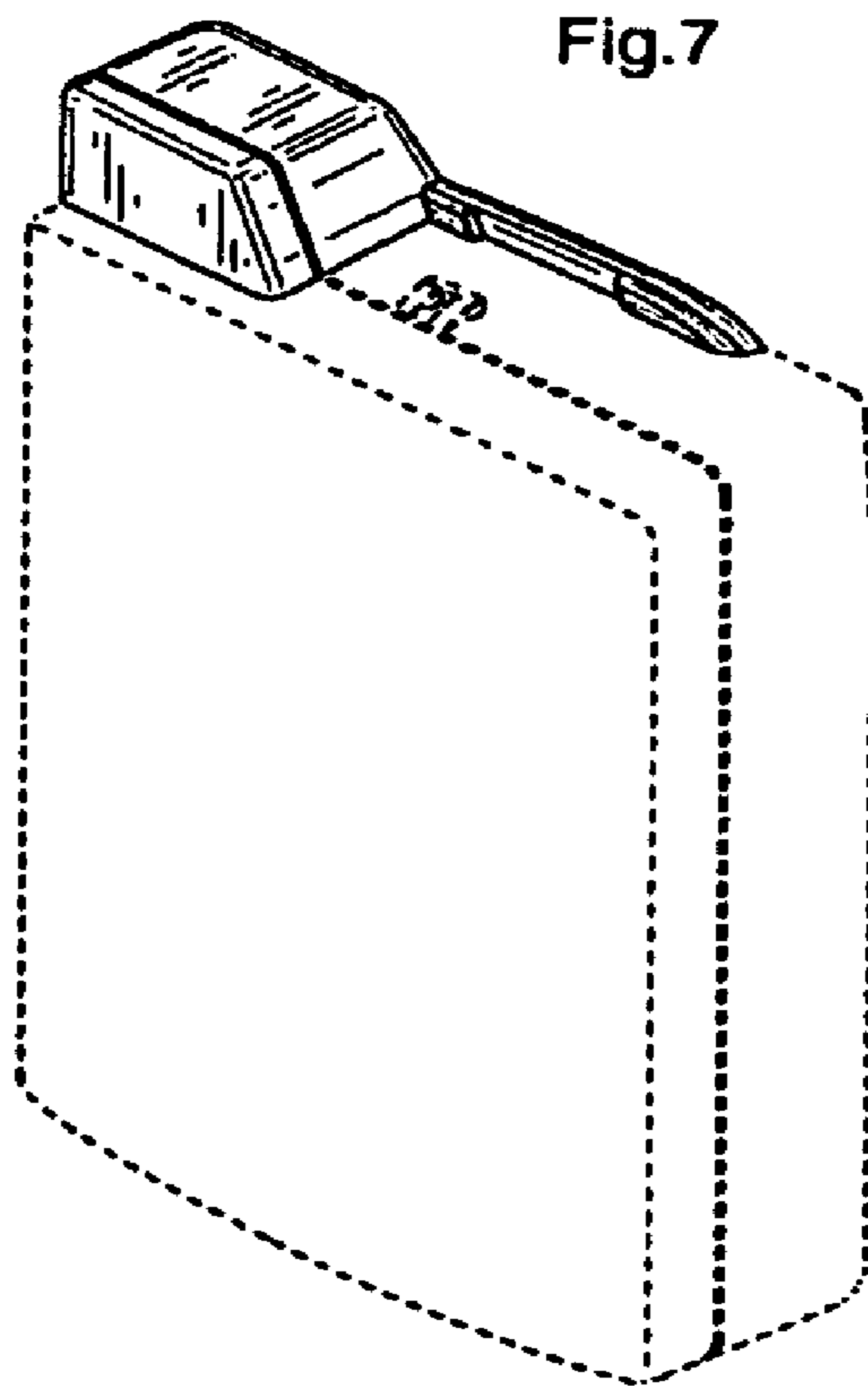
UNITED STATES PATENT AND TRADEMARK OFFICE  
**CERTIFICATE OF CORRECTION**

PATENT NO. : Des. 528,075 S  
APPLICATION NO. : 29/224851  
DATED : September 12, 2006  
INVENTOR(S) : Kazuya Sugeno et al.

Page 2 of 3

It is certified that error appears in the above-identified patent and that said Letters Patent is hereby corrected as shown below:

Please correct the drawings of FIG. 7 as shown below.



Signed and Sealed this

Twenty-seventh Day of January, 2009

*John Doll*

JOHN DOLL  
*Acting Director of the United States Patent and Trademark Office*



(12) **United States Design Patent** (10) Patent No.: **US D528,075 S**  
**Sugeno et al.** (45) Date of Patent: **\*\* Sep. 12, 2006**

(54) **BATTERY**

(75) Inventors: **Kazuya Sugeno, Fukushima (JP); Hajime Ishihara, Tokyo (JP)**

(73) Assignee: **Sony Computer Entertainment Inc., Tokyo (JP)**

(\*\*) Term: **14 Years**

(21) Appl. No.: **29/224,851**

(22) Filed: **Mar. 9, 2005**

(30) **Foreign Application Priority Data**

Sep. 21, 2004 (JP) ..... D2004-028466

(51) **LOC (8) Cl.** ..... **13-02**

(52) **U.S. Cl.** ..... **D13/119**

(58) **Field of Classification Search** ..... D13/102-106, D13/110, 118-119, 184; 429/96-100, 163, 429/176

See application file for complete search history.

(56) **References Cited**

**U.S. PATENT DOCUMENTS**

- D264,580 S \* 5/1982 McKeemas ..... D13/103
- D276,428 S \* 11/1984 Burbank et al. .... D13/184
- D349,681 S \* 8/1994 Siddoway et al. .... D13/103
- D409,974 S \* 5/1999 Saugo
- D457,132 S \* 5/2002 Petherbridge et al. .... D13/103
- D467,538 S 12/2002 Kawasaki
- 6,610,443 B1 \* 8/2003 Paulot et al. .... 429/181
- D491,337 S \* 6/2004 Suzuki
- D492,649 S \* 7/2004 Resch et al. .... D13/103

- 6,824,916 B1 \* 11/2004 Vine ..... 429/96
- D503,923 S \* 4/2005 Asherian ..... D13/103
- 6,881,516 B1 \* 4/2005 Aarnodt et al. .... 429/181
- D507,523 S \* 7/2005 Resch et al. .... D13/103
- D508,018 S \* 8/2005 Yokota ..... D13/103
- 2001/0049057 A1 \* 12/2001 Frustaci et al. .... 429/176

**FOREIGN PATENT DOCUMENTS**

GB D2076988 S 8/1999

\* cited by examiner

*Primary Examiner*---Alan P. Douglas

*Assistant Examiner*---Rosemary K. Tarca

(74) *Attorney, Agent, or Firm*---Rader, Fishman & Grauer PLLC

(57) **CLAIM**

The ornamental design for a battery, as shown and described.

**DESCRIPTION**

FIG. 1 is a front elevational view of a battery showing our new design;

FIG. 2 is a rear elevational view thereof;

FIG. 3 is a left side elevational view thereof;

FIG. 4 is a right side elevational view thereof;

FIG. 5 is a top plan view thereof;

FIG. 6 is a rear right top perspective view thereof; and,

FIG. 7 is a front right top perspective view thereof.

The dash-broken lines immediately adjacent the shaded areas represent the bounds of the claimed design while all other broken lines are for illustrative purposes only; the broken lines form no part of the claimed design.

