



US00D528073S

(12) **United States Design Patent**
Farzan

(10) **Patent No.:** **US D528,073 S**

(45) **Date of Patent:** **** Sep. 12, 2006**

(54) **TRANSFORMER BOX FOR USE WITH TRACK LIGHTING**

(75) Inventor: **Fred Farzan**, Beverly Hills, CA (US)

(73) Assignee: **Nora Lighting, Inc.**, Commerce, CA (US)

(**) Term: **14 Years**

(21) Appl. No.: **29/198,970**

(22) Filed: **Feb. 9, 2004**

(51) **LOC (8) Cl.** **13-02**

(52) **U.S. Cl.** **D13/110**

(58) **Field of Classification Search** D13/110,
D13/24, 101, 118, 184, 199; D26/60, 61,
D26/71, 72, 138; 362/277, 278, 284-286,
362/423

See application file for complete search history.

(56) **References Cited**

U.S. PATENT DOCUMENTS

D264,206 S * 5/1982 Heritage D13/133

D290,524 S * 6/1987 Kusmer D13/110
D383,114 S * 9/1997 Wandler et al. D13/110
D400,167 S * 10/1998 Klaus D13/110
6,273,587 B1 * 8/2001 Demshki 362/249

* cited by examiner

Primary Examiner—Stella Reid

Assistant Examiner—Derrick Holland

(74) *Attorney, Agent, or Firm*—Edgar W. Averill, Jr.;
Kenneth L. Green

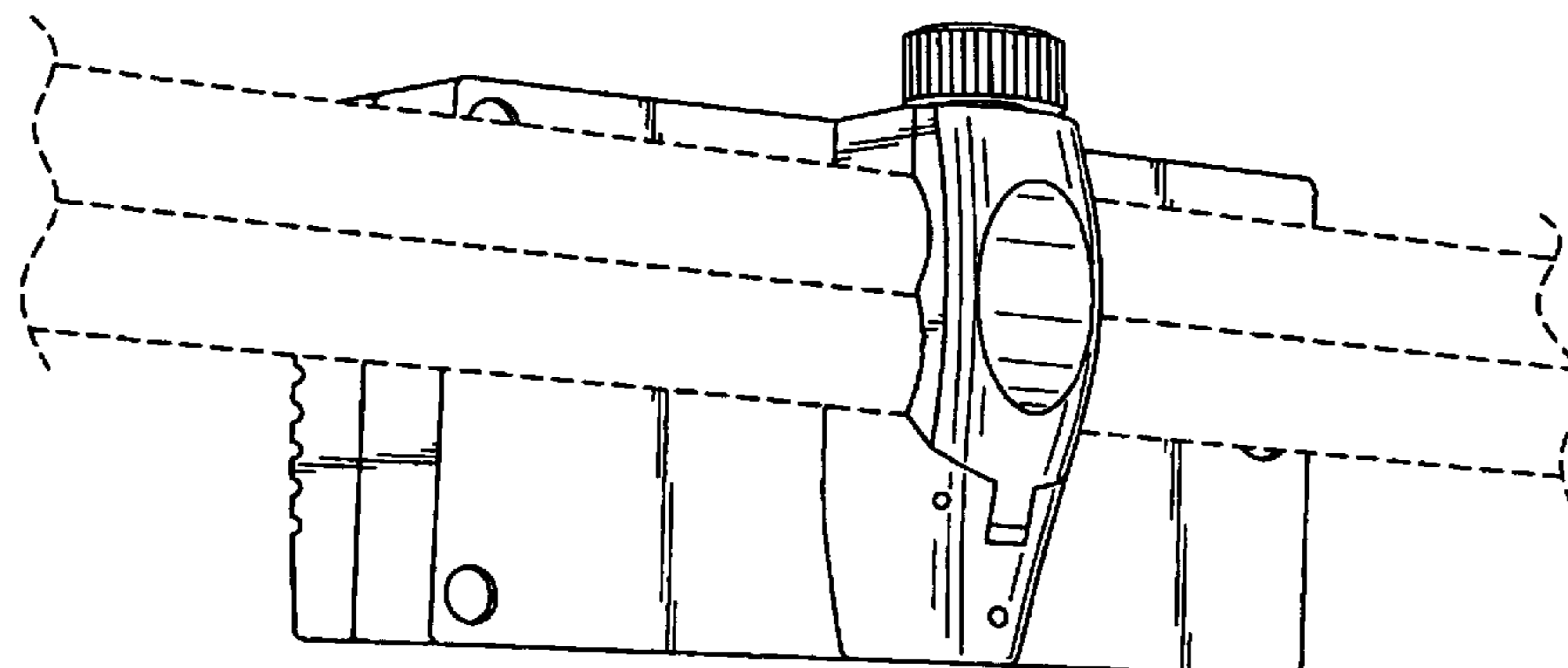
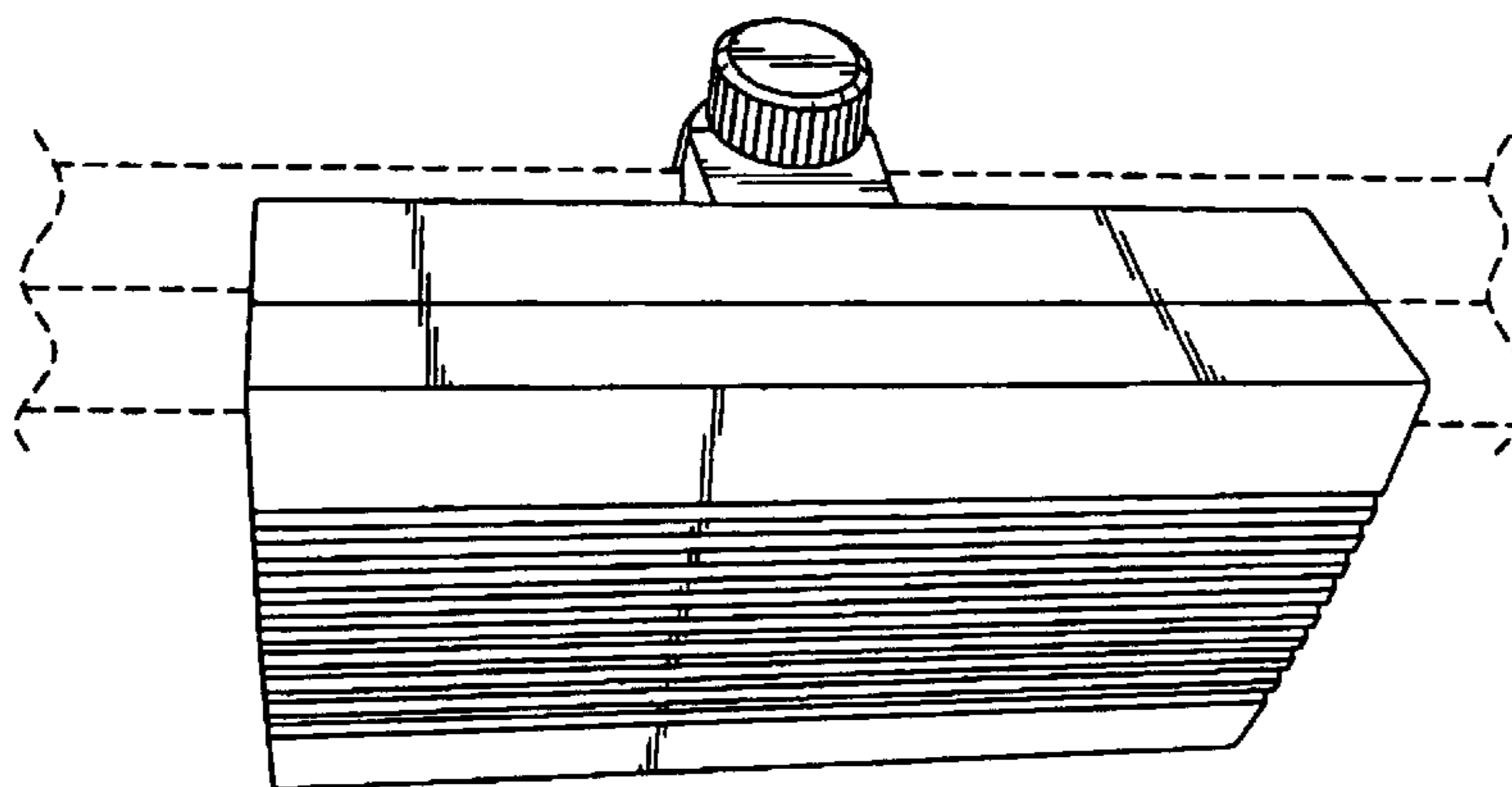
(57) **CLAIM**

The ornamental design for a transformer box for use with track lighting, as shown.

DESCRIPTION

FIG. 1 is a front and top perspective view of a transformer box for use with track lighting, showing my new design; FIG. 2 is a bottom and left side perspective view thereof; and, FIG. 3 is a back and right side perspective view thereof.

1 Claim, 2 Drawing Sheets



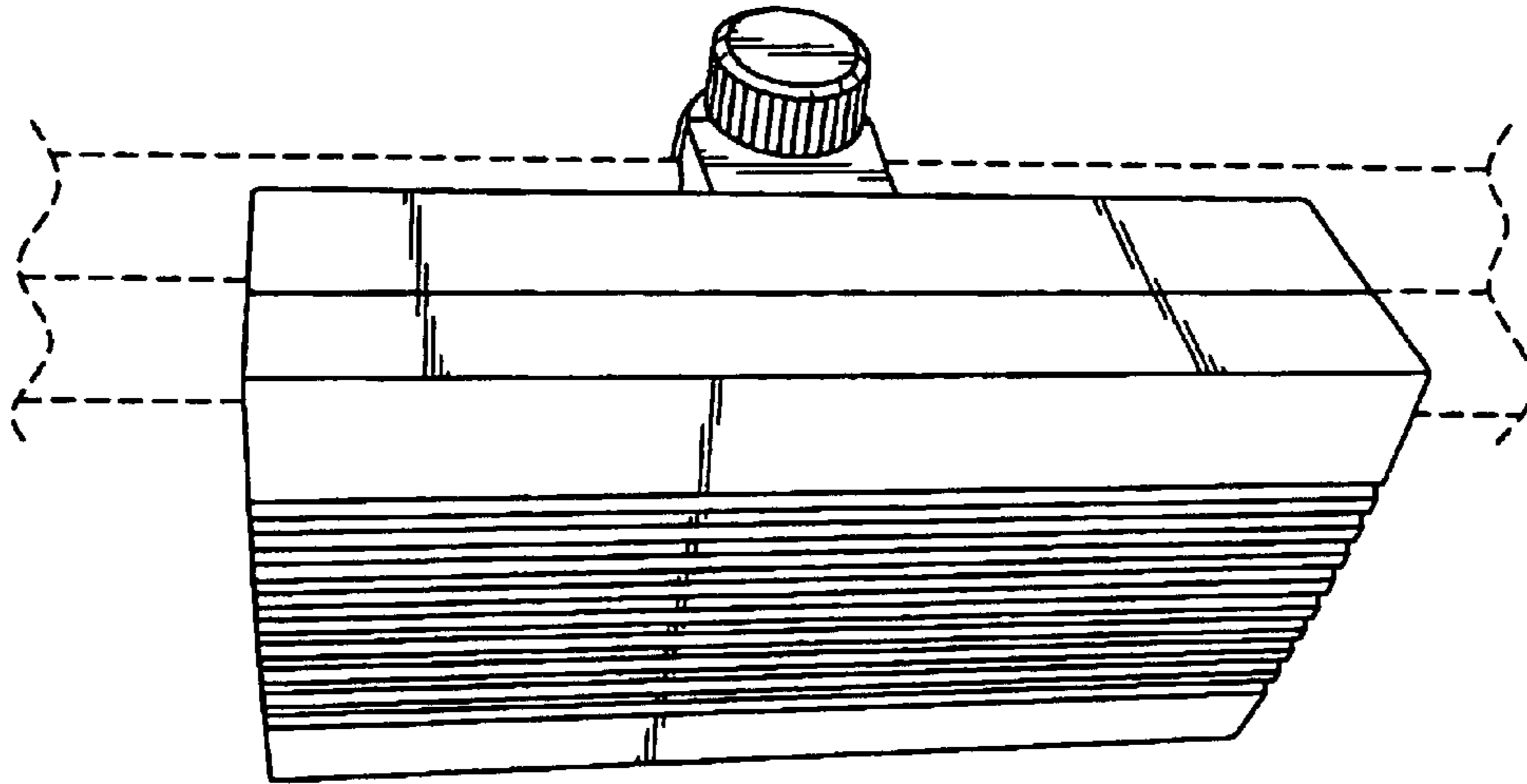
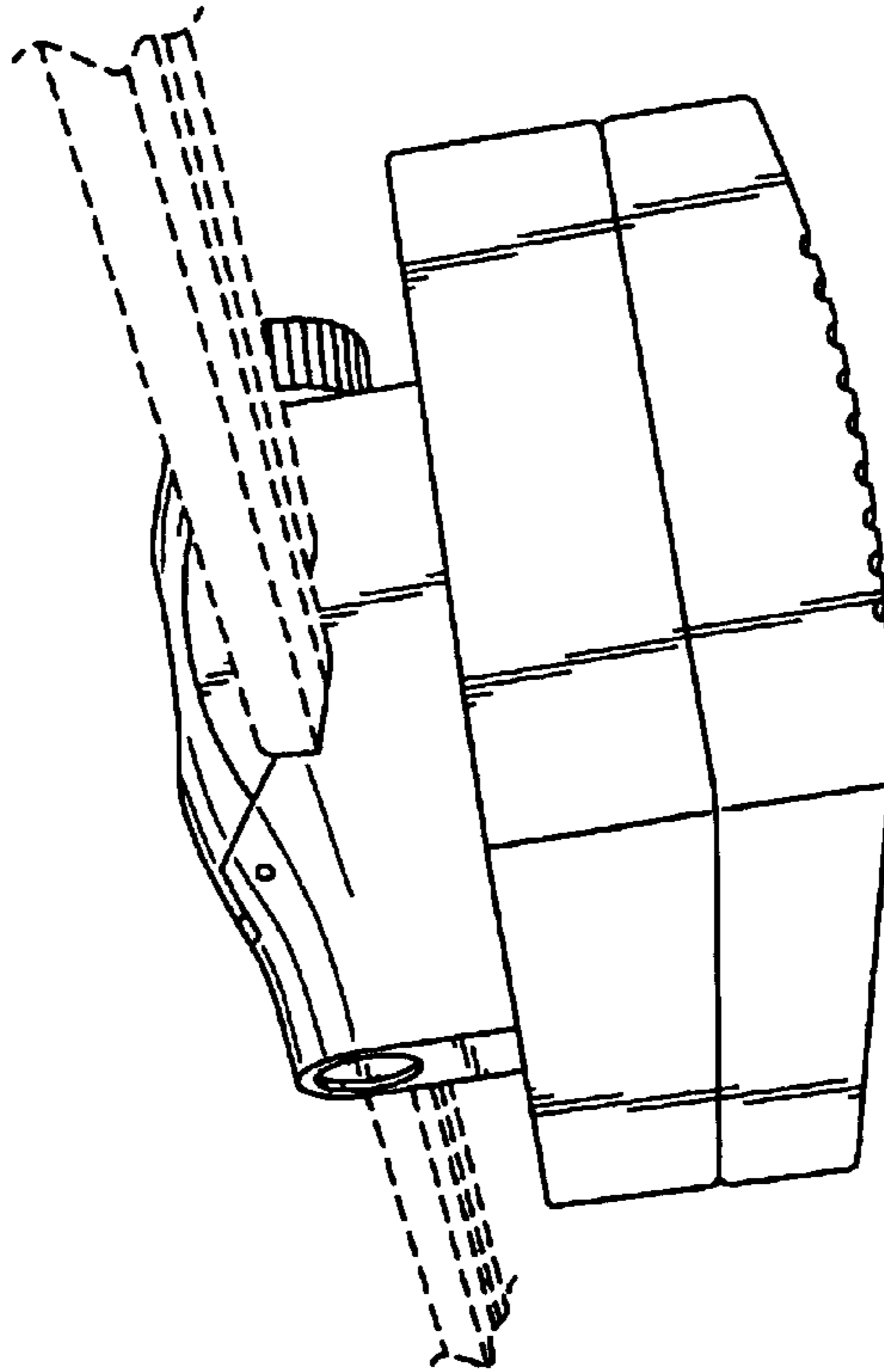


FIG. 1

FIG. 2



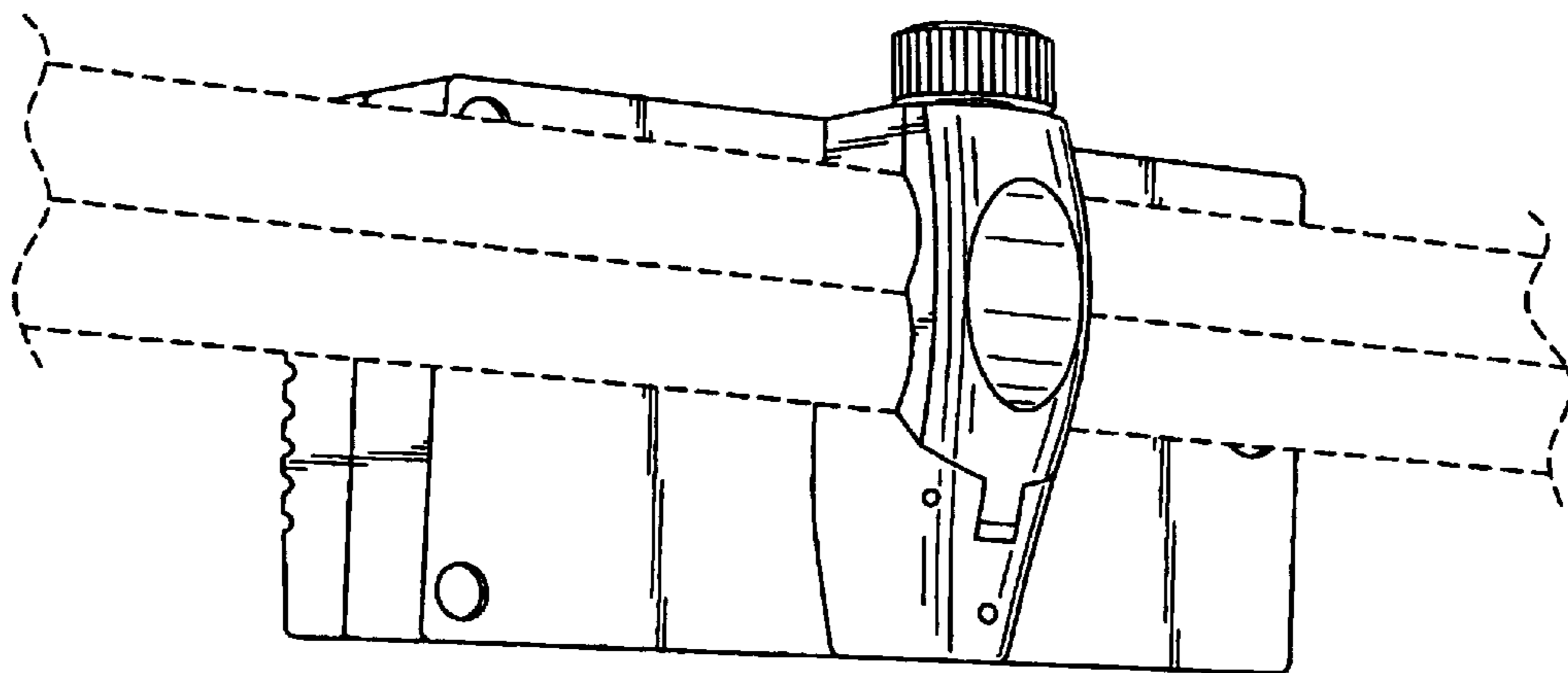


FIG. 3