



US00D528072S

(12) **United States Design Patent**
Chen et al.

(10) **Patent No.:** **US D528,072 S**
(45) **Date of Patent:** **** Sep. 12, 2006**

(54) **CHARGER FOR HANDHELD ELECTRONIC DEVICE**

(75) Inventors: **Kun-Hai Chen**, Taipei Hsien (TW);
Hao-Yu Tsao, Taipei Hsien (TW);
Pin-Xian Su, Taipei Hsien (TW);
Chao-Ning Chang, Taipei Hsien (TW);
Yu-Liang Chiu, Taipei Hsien (TW);
Hui-Shan Hsu, Taipei Hsien (TW);
Wen-Jung Hsiao, Taipei Hsien (TW)

(73) Assignee: **Acer Inc.** (TW)

(**) Term: **14 Years**

(21) Appl. No.: **29/196,776**

(22) Filed: **Jan. 6, 2004**

(30) **Foreign Application Priority Data**

Jul. 10, 2003 (TW) 92304302

(51) **LOC (8) Cl.** **13-02**

(52) **U.S. Cl.** **D13/108**

(58) **Field of Classification Search** D13/107-110,
D13/118-119, 184; D14/251, 253, 432, 434;
D16/219, 237, 242; 320/107-115
See application file for complete search history.

(56) **References Cited**

U.S. PATENT DOCUMENTS

3,696,283 A * 10/1972 Ackley, III 320/110
D241,555 S * 9/1976 Goldman D13/107
D278,703 S * 5/1985 Chiodo et al. D13/107
D278,704 S * 5/1985 Claxton et al. D13/107

5,187,423 A * 2/1993 Marton 320/109
6,018,227 A * 1/2000 Kumar et al. 320/106
D435,558 S * 12/2000 Tong et al. D14/434
D461,814 S * 8/2002 Felix et al. D14/434
D509,788 S * 9/2005 Schlieffers et al. D13/108
2004/0080298 A1 * 4/2004 Maggert et al. 320/107

* cited by examiner

Primary Examiner—Alan P. Douglas

Assistant Examiner—Rosemary K. Tarcza

(74) *Attorney, Agent, or Firm*—Pillsbury Winthrop Shaw Pittman LLP

(57) **CLAIM**

The ornamental design for a charger for handheld electronic device, as substantially shown and described.

DESCRIPTION

FIG. 1 is a front perspective view of a charger for handheld electronic device showing our new design;

FIG. 2 is a front view of the charger for handheld electronic device;

FIG. 3 is a back view of the charger for handheld electronic device;

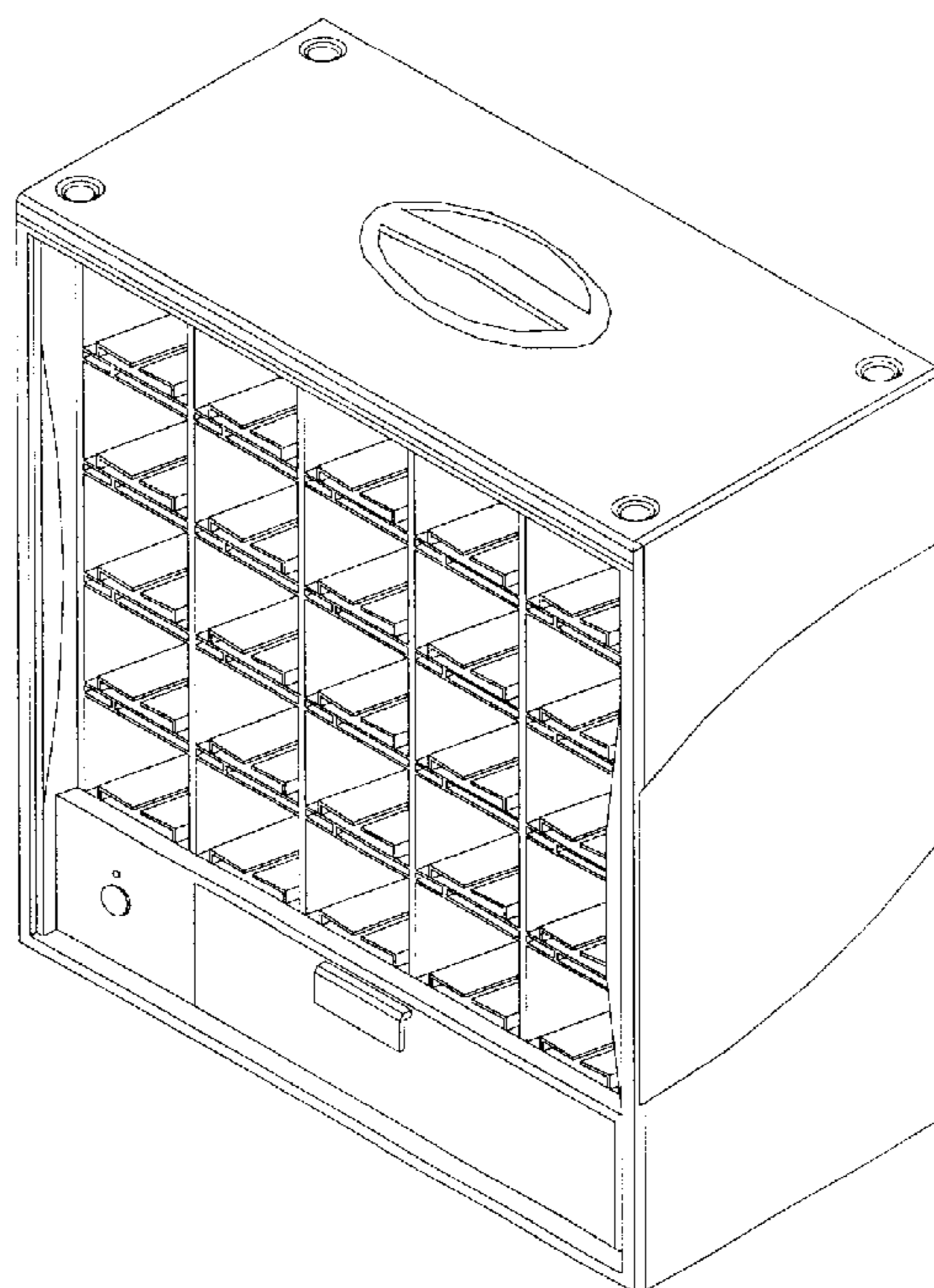
FIG. 4 is a right side view of the charger for handheld electronic device;

FIG. 5 is a left side view of the charger for handheld electronic device;

FIG. 6 is a top plan view of the charger for handheld electronic device; and,

FIG. 7 is a bottom plan view of the charger for handheld electronic device.

1 Claim, 7 Drawing Sheets



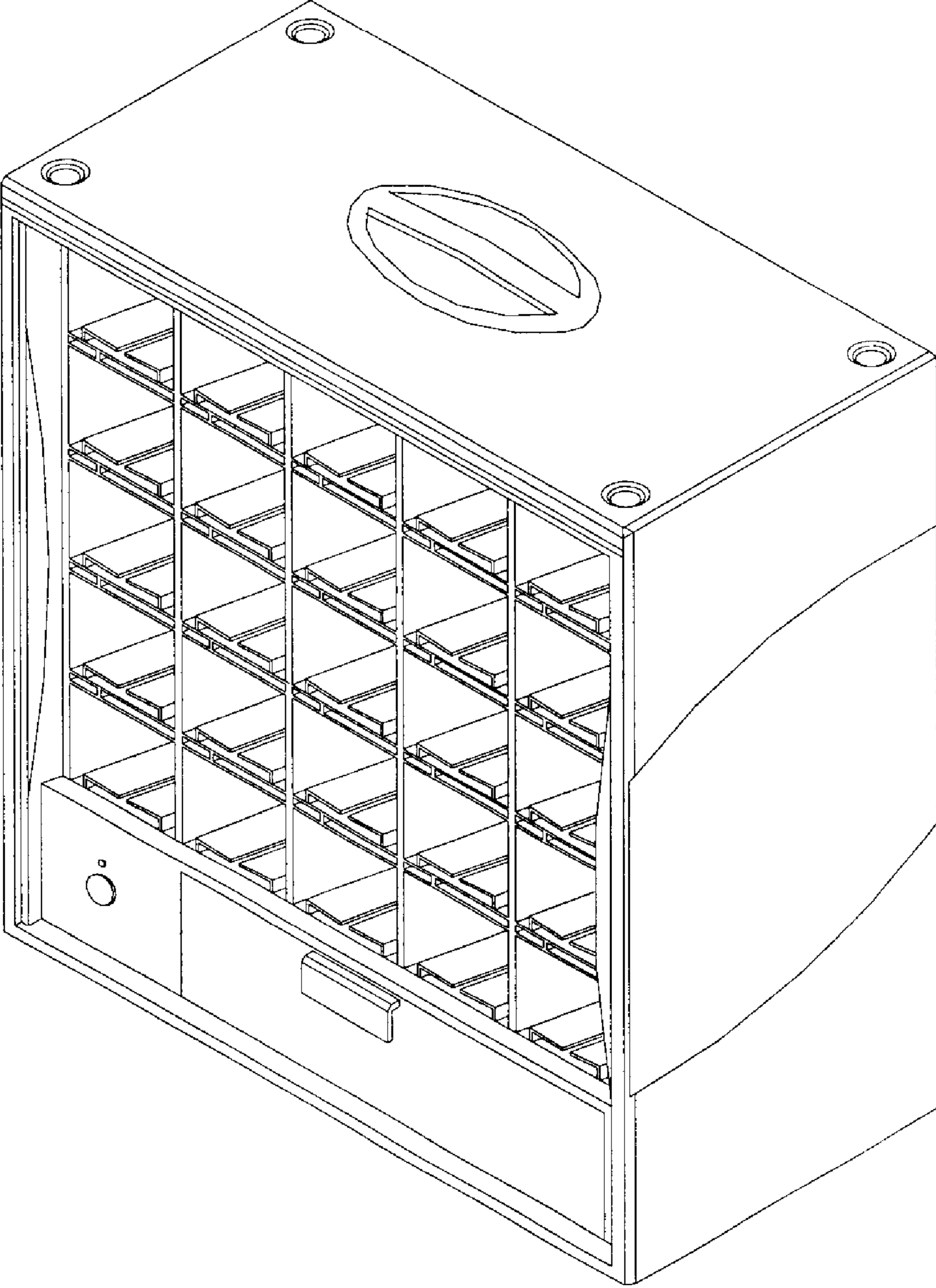


Fig. 1

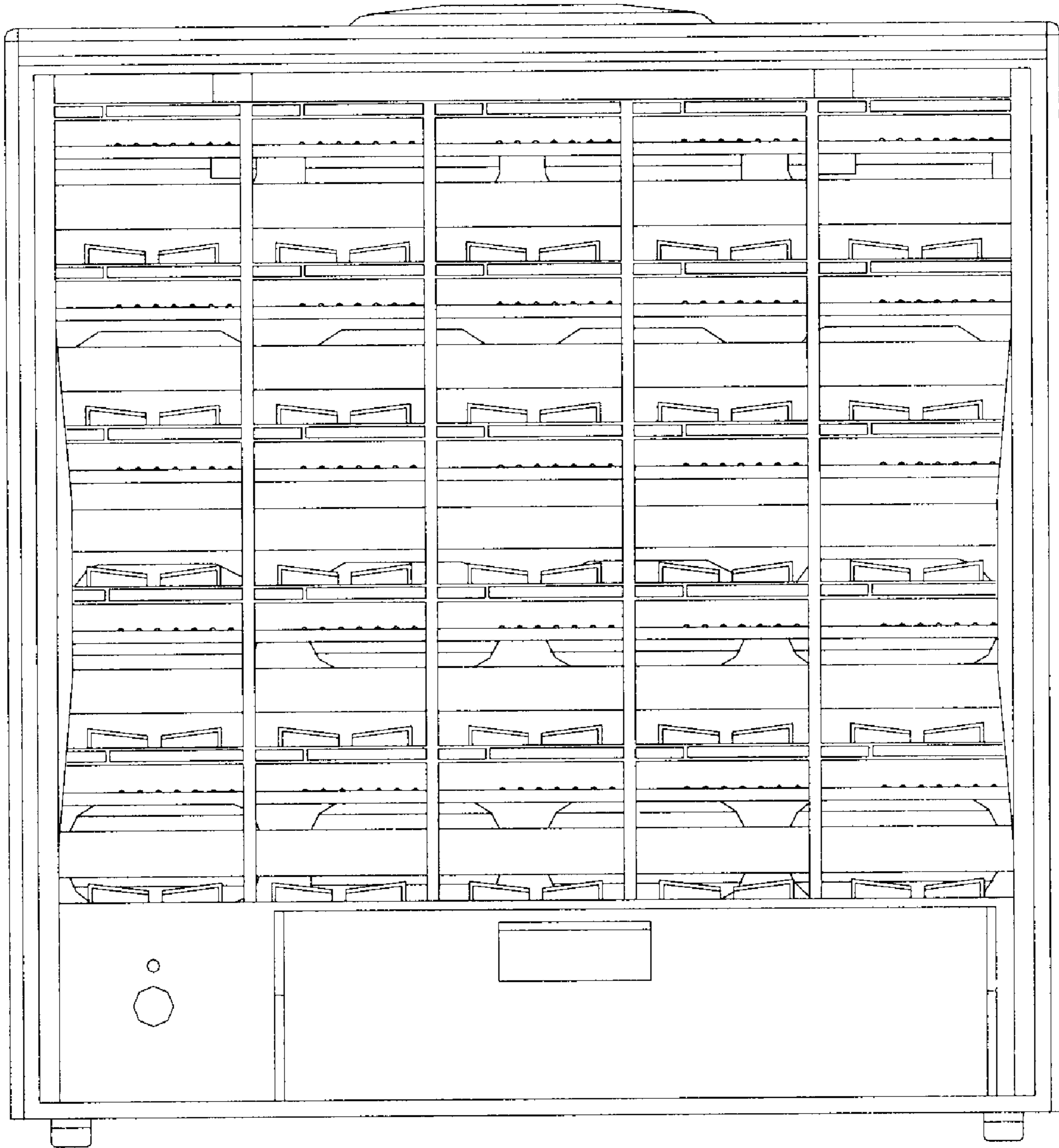


Fig. 2

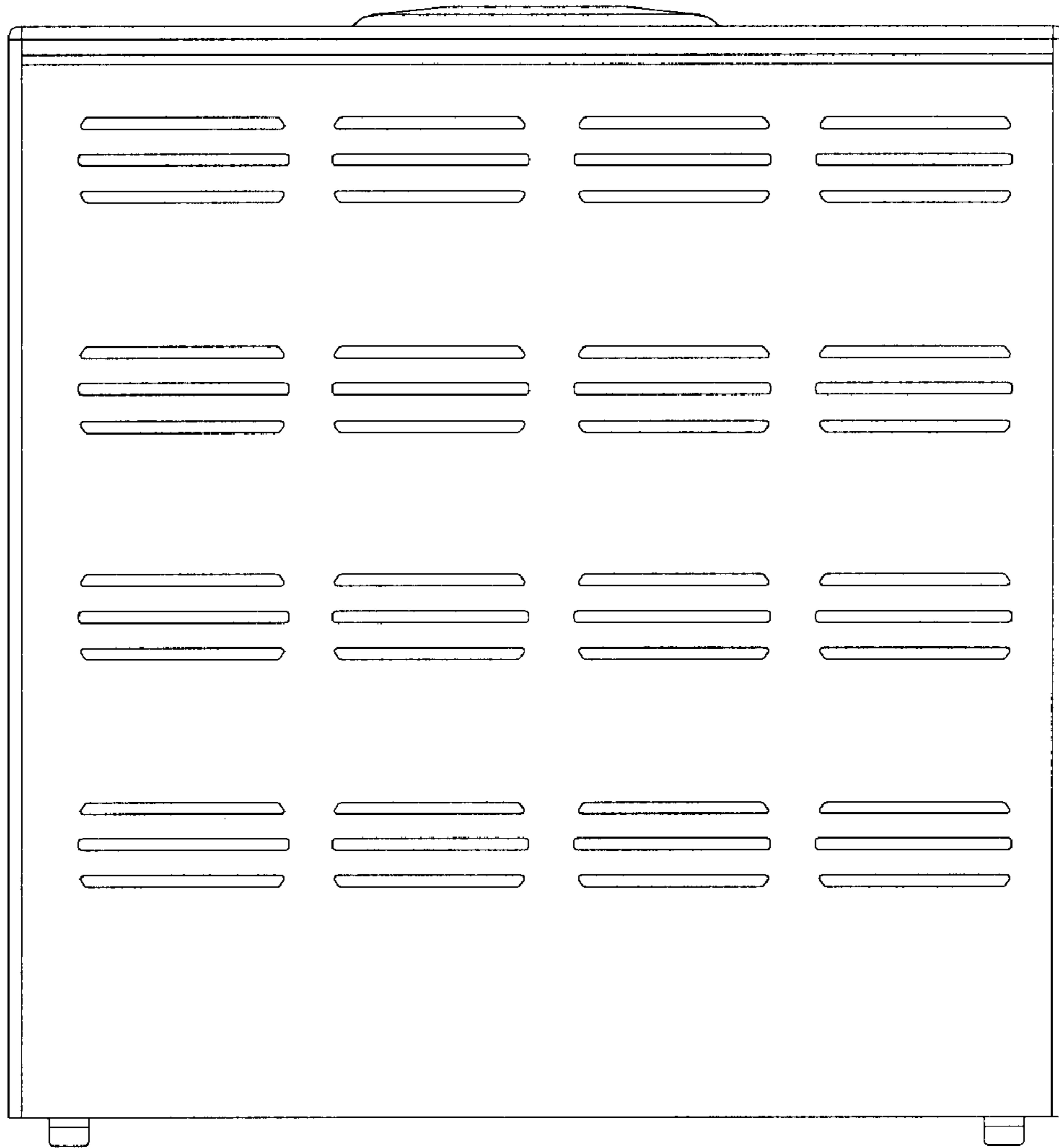


Fig. 3

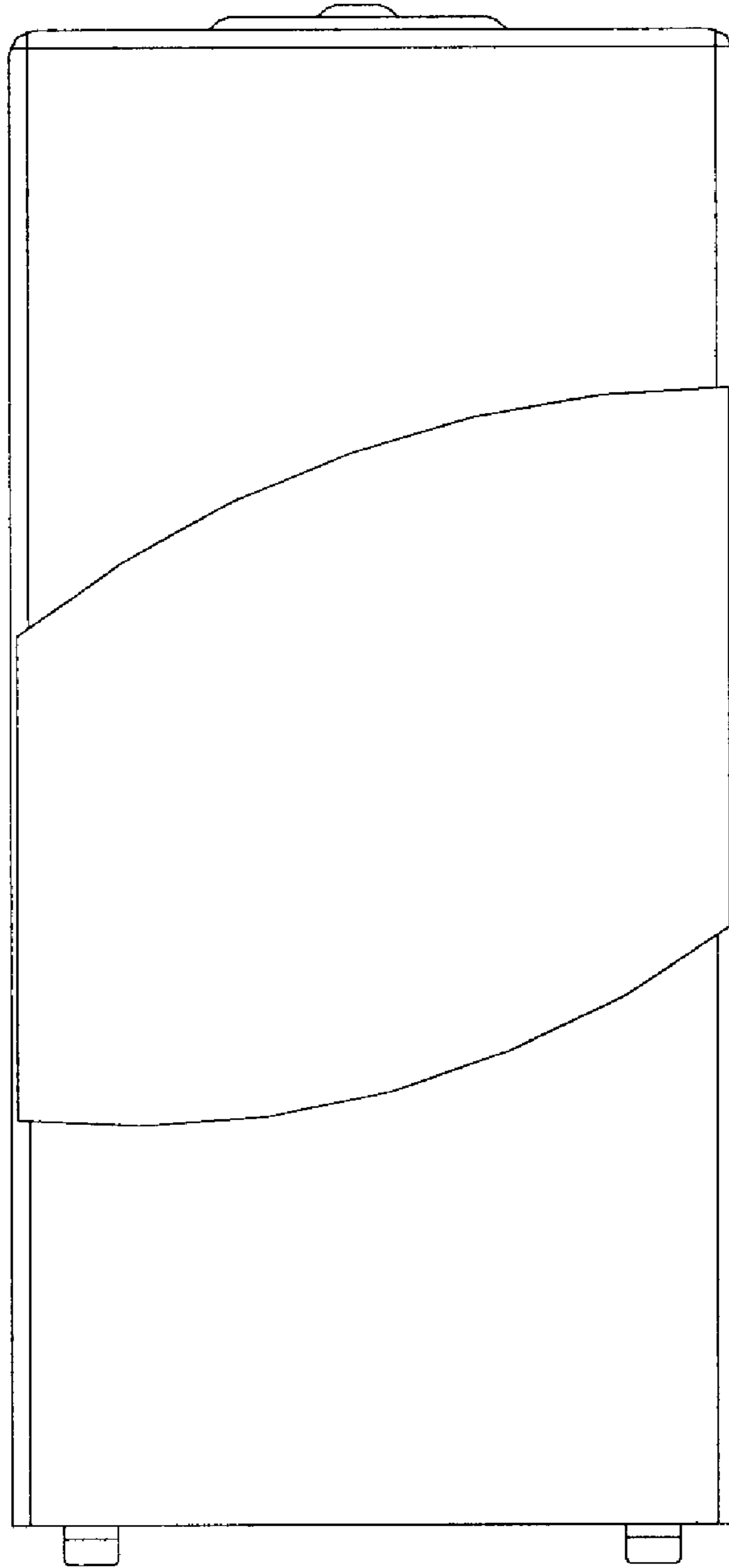


Fig. 4

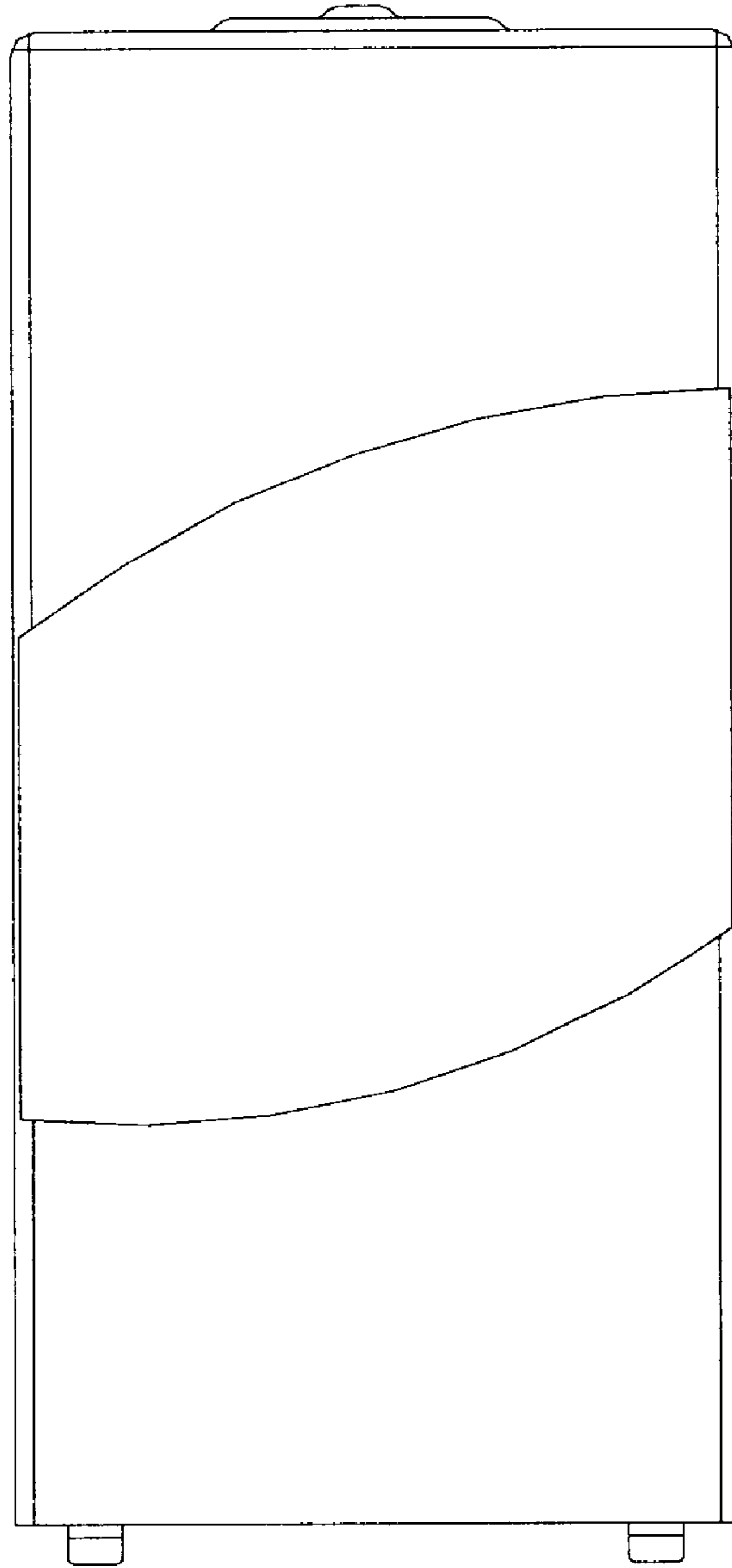


Fig. 5

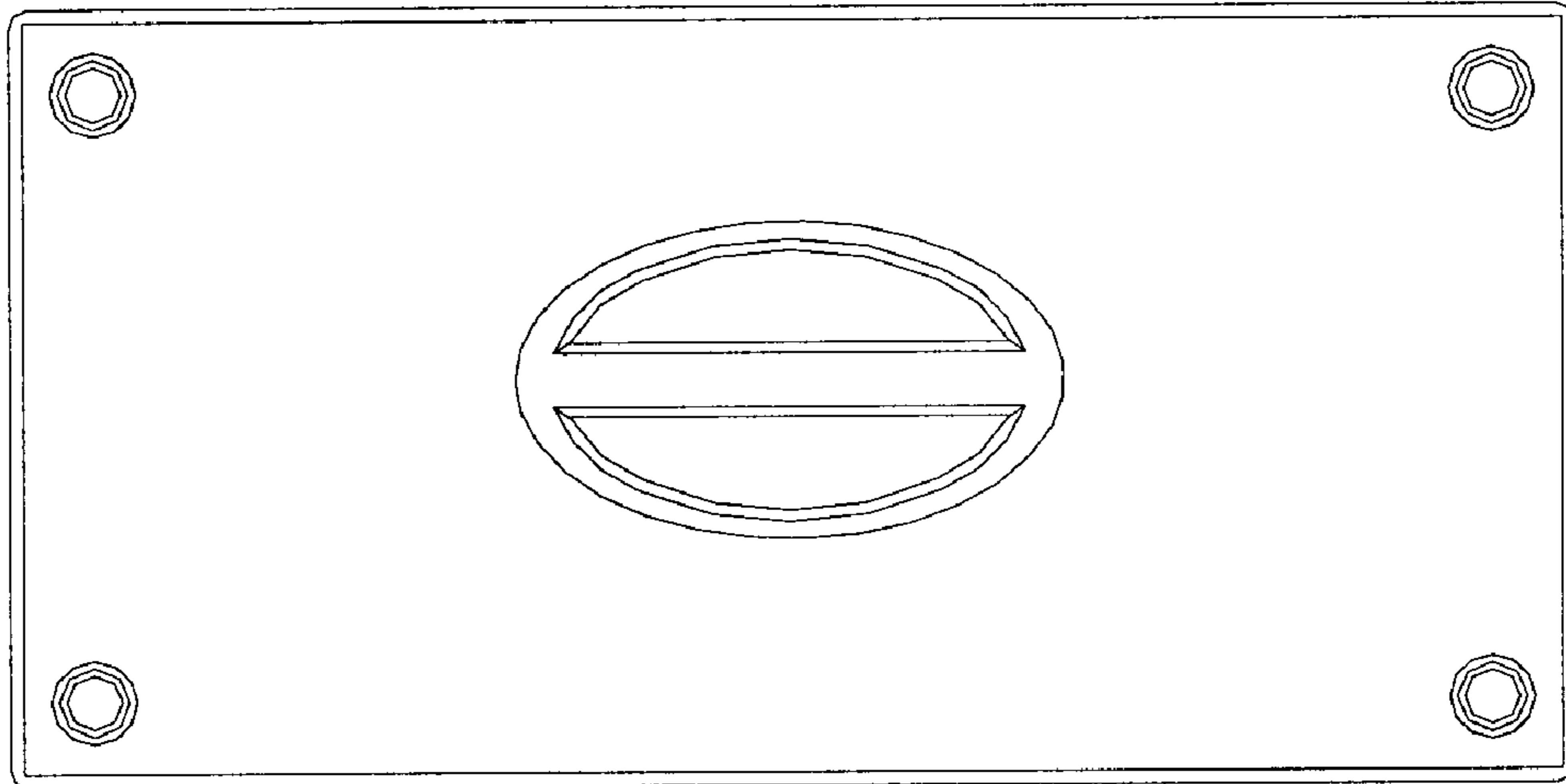


Fig. 6

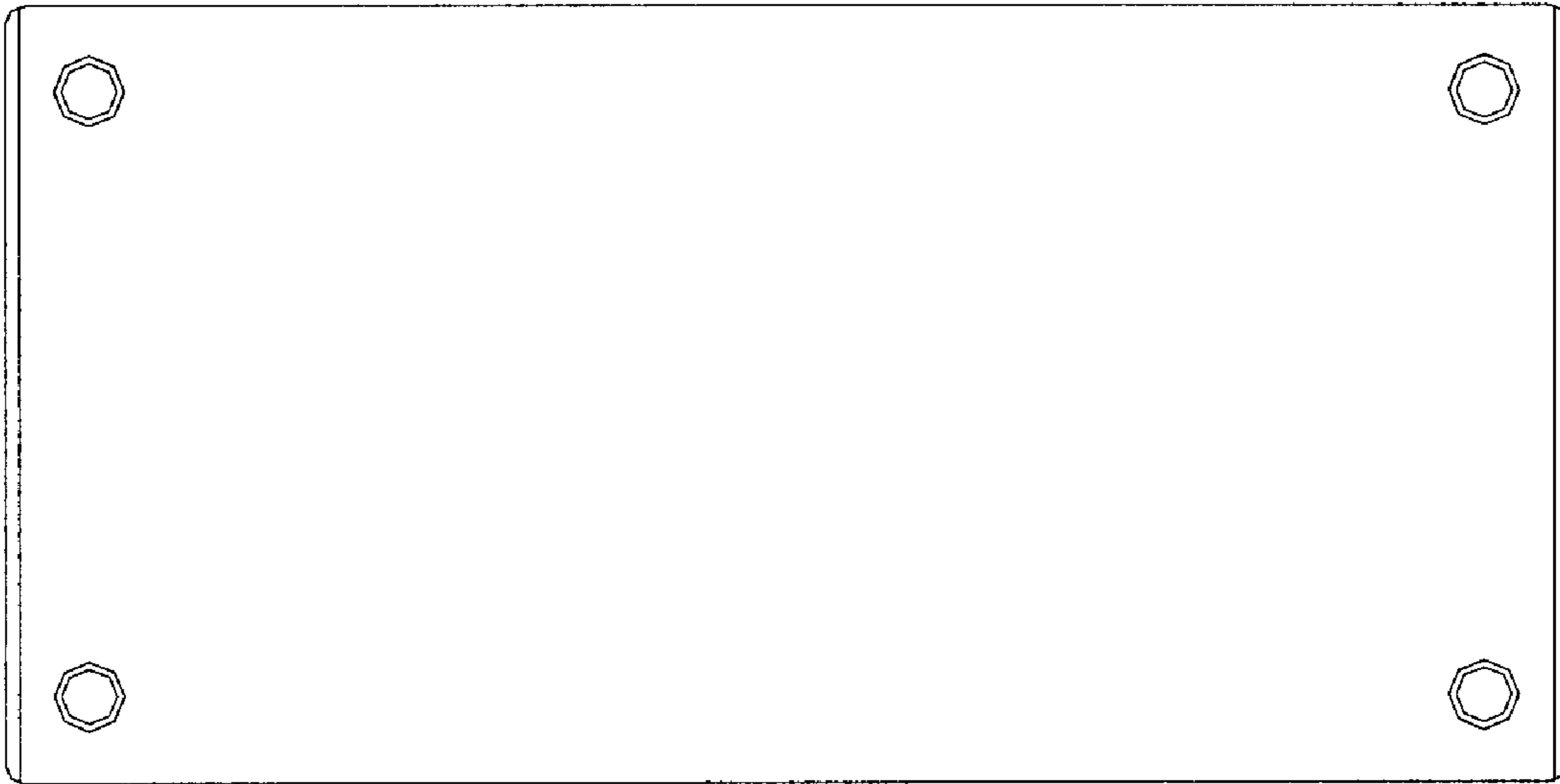


Fig. 7