



US00D528070S

(12) **United States Design Patent**  
**Tang**

(10) **Patent No.:** **US D528,070 S**

(45) **Date of Patent:** **\*\* Sep. 12, 2006**

(54) **BATTERY PACK**

(75) Inventor: **Wing Sum Tang**, Hunghom (HK)

(73) Assignee: **Samson Bright Industrial Company Limited**, Kowloon (HK)

(\*\*) Term: **14 Years**

(21) Appl. No.: **29/232,536**

(22) Filed: **Jun. 21, 2005**

(51) **LOC (8) Cl.** ..... **13-02**

(52) **U.S. Cl.** ..... **D13/103**

(58) **Field of Classification Search** ..... D13/102-106,  
D13/110, 118-119, 184; D7/679; 429/96-100,  
429/163, 176

See application file for complete search history.

(56) **References Cited**

**U.S. PATENT DOCUMENTS**

267,025 A	*	11/1882	See	.....	607/145
D32,450 S	*	4/1900	Seeger et al.	.....	D13/103
D136,758 S	*	11/1943	Casanov	.....	D13/119
2,876,273 A	*	3/1959	Hall	.....	429/100
2,951,107 A	*	8/1960	Abrams	.....	429/100
D231,990 S	*	7/1974	Peasley	.....	D13/119
4,161,568 A	*	7/1979	Lund	.....	429/99
D263,581 S	*	3/1982	Kaye	.....	D13/103

4,644,244 A	*	2/1987	Kittelson	.....	320/100
5,122,427 A	*	6/1992	Flowers et al.	.....	429/97
D345,727 S	*	4/1994	Flowers et al.	.....	D13/103
D361,980 S	*	9/1995	Chen	.....	D13/119
D376,579 S	*	12/1996	Bunyea et al.	.....	D13/103
D384,031 S	*	9/1997	Lui	.....	D13/103
D387,328 S	*	12/1997	Ueda	.....	D13/103
D388,060 S	*	12/1997	Tanaka et al.	.....	D13/103
5,709,963 A	*	1/1998	Sim	.....	429/99
D508,236 S	*	8/2005	Duke et al.	.....	D13/184

\* cited by examiner

*Primary Examiner*—Alan P. Douglas

*Assistant Examiner*—Rosemary K. Tarcza

(74) *Attorney, Agent, or Firm*—Merchant & Gould P.C.

(57) **CLAIM**

The ornamental design for battery pack, as shown and described.

**DESCRIPTION**

FIG. 1 is a front view of a battery pack in accordance with my invention thereof;

FIG. 2 is a rear view thereof;

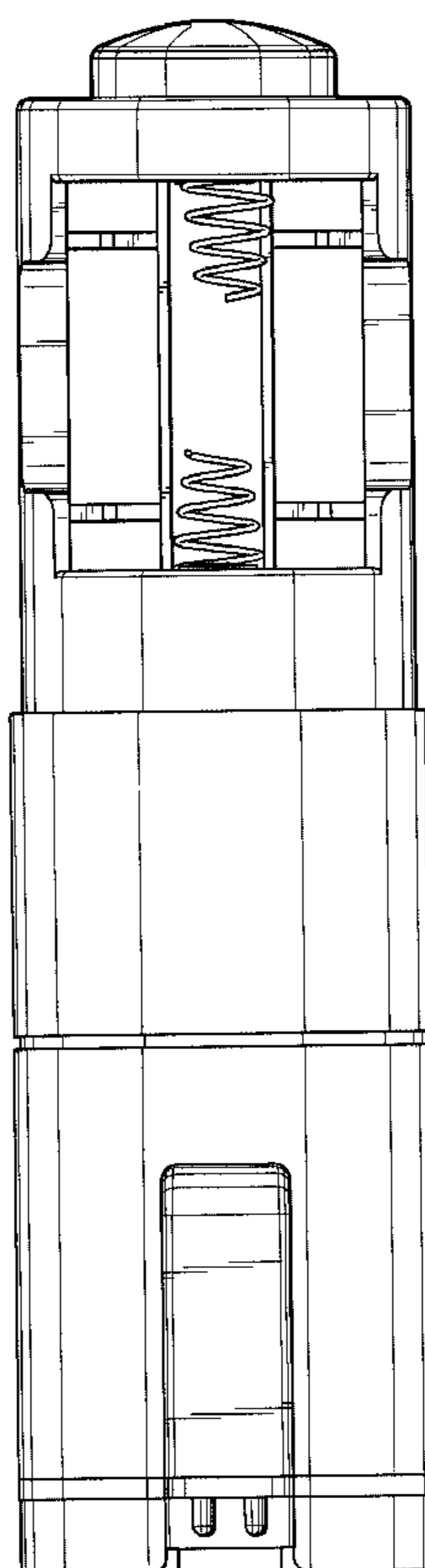
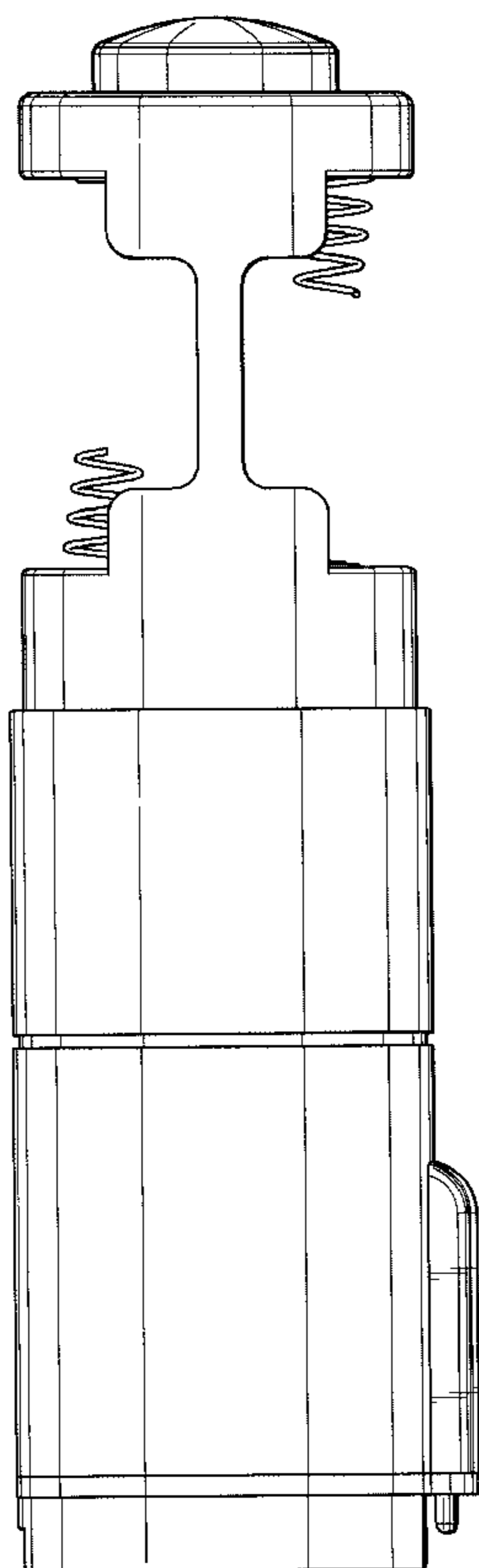
FIG. 3 is a left view thereof;

FIG. 4 is a right view thereof;

FIG. 5 is a top end view thereof; and,

FIG. 6 is a bottom end view thereof.

**1 Claim, 3 Drawing Sheets**



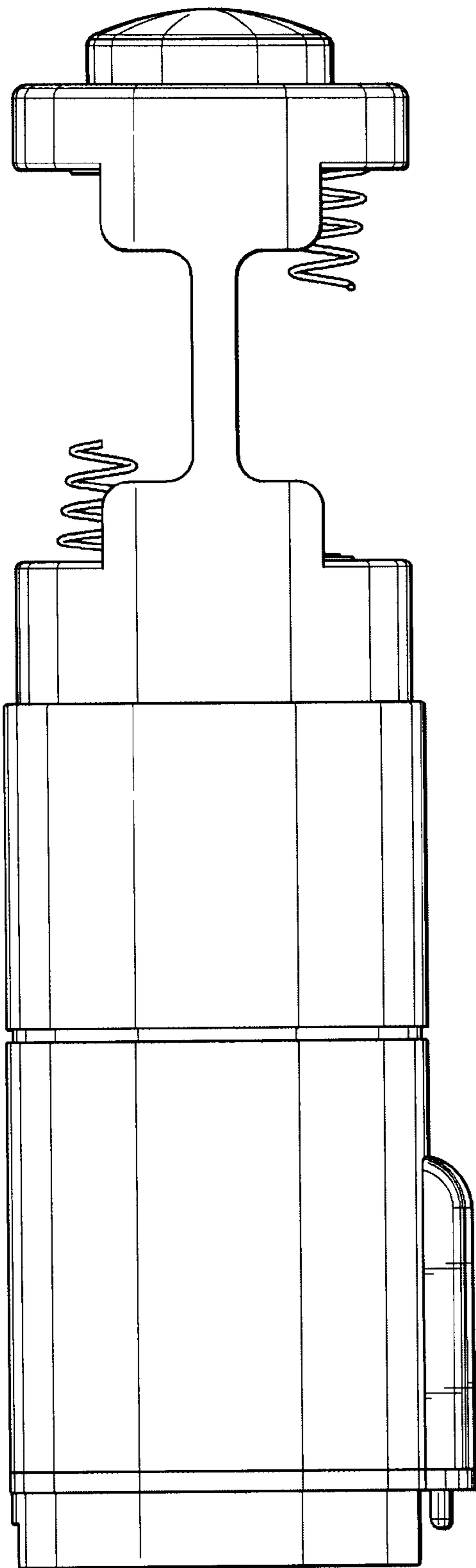


FIG. 1

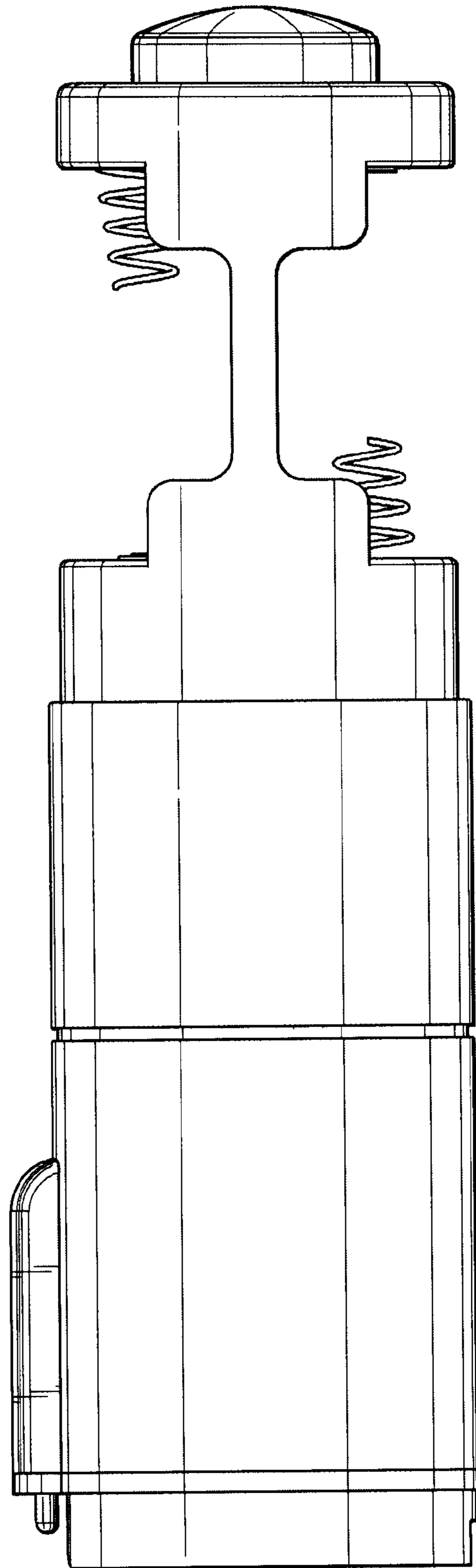


FIG. 2

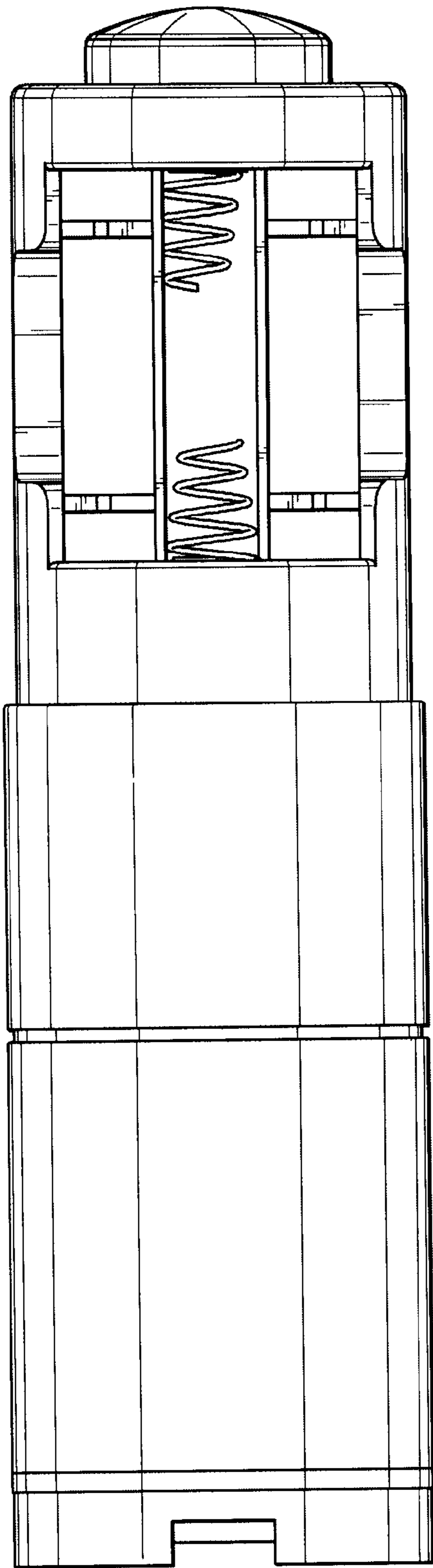


FIG. 3

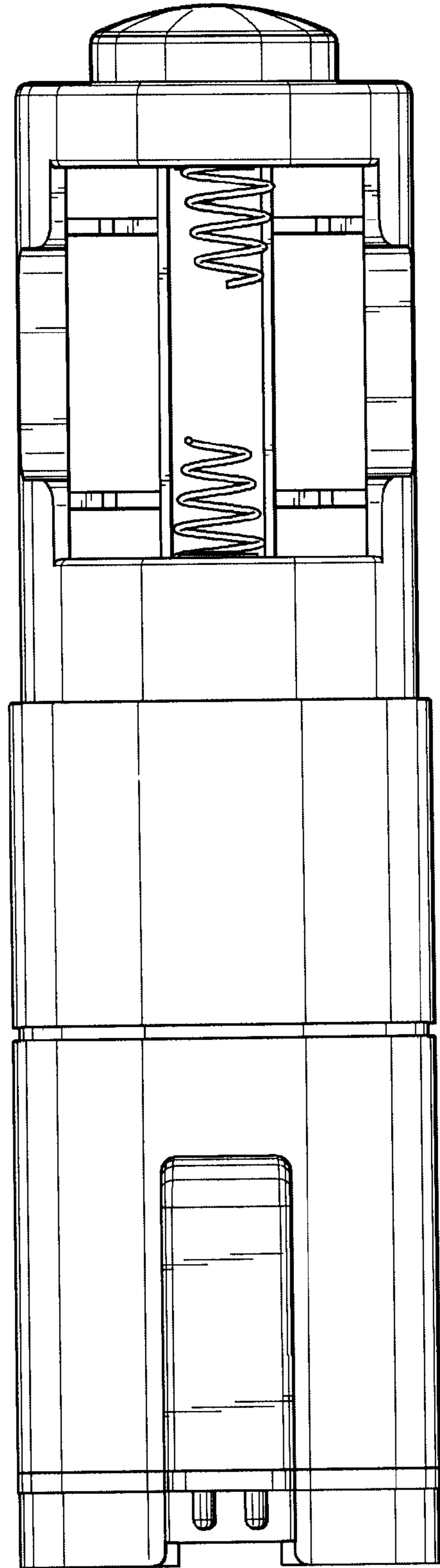


FIG. 4

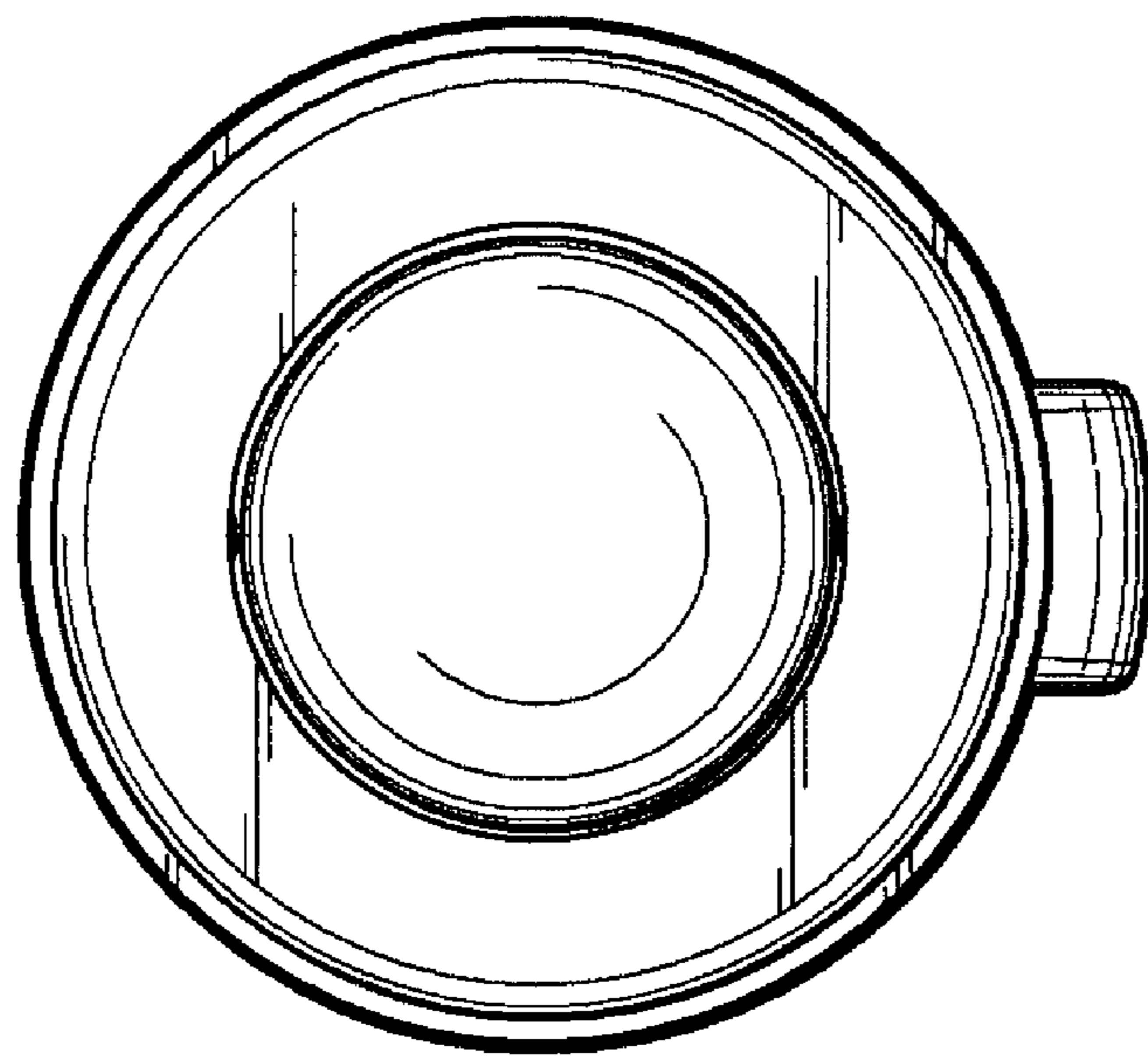


FIG. 5

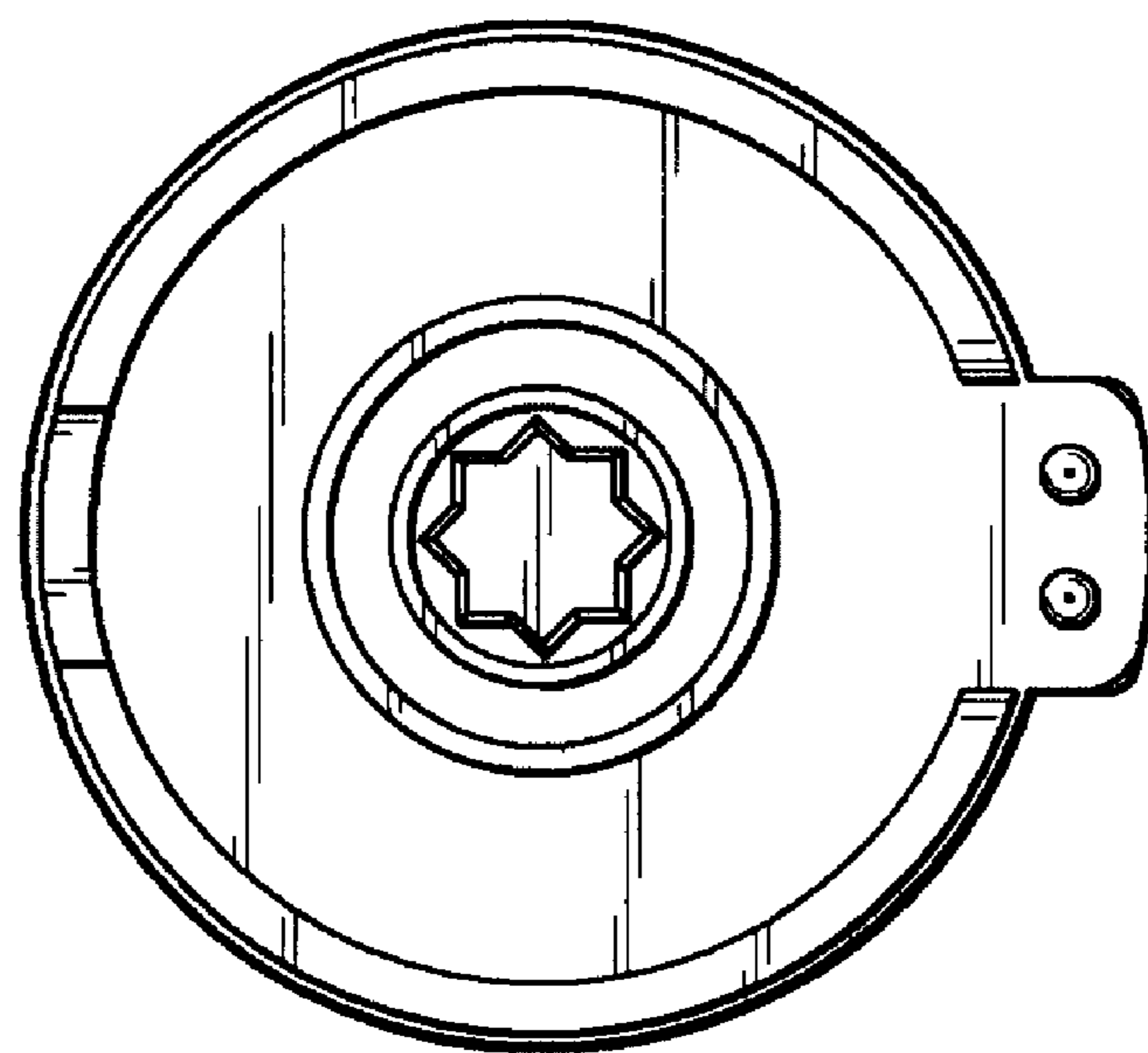


FIG. 6