



US00D528065S

(12) **United States Design Patent**
Ezra

(10) **Patent No.:** **US D528,065 S**
(45) **Date of Patent:** **** Sep. 12, 2006**

(54) **MOTORCYCLE CARRIER**

(76) Inventor: **Brandon Joshua Ezra**, 9341 South St.
Rd. 39, Winamac, IN (US) 46996

(**) Term: **14 Years**

(21) Appl. No.: **29/253,767**

(22) Filed: **Feb. 13, 2006**

(51) **LOC (8) Cl.** **12-16**

(52) **U.S. Cl.** **D12/408**

(58) **Field of Classification Search** D12/115,
D12/406-408, 412; 211/5, 17-22; 224/412-425,
224/448, 489, 309-311, 400, 495, 324-326,
224/500-532, 405, 924; 414/462; 280/292,
280/304.5

See application file for complete search history.

(56) **References Cited**

U.S. PATENT DOCUMENTS

3,176,903 A	4/1965	Farley	
3,567,052 A	3/1971	Millard	
3,731,830 A	* 5/1973	Long	414/462
3,912,139 A	10/1975	Bowman	
4,275,981 A	6/1981	Bruhn	
4,349,138 A	* 9/1982	Bruhn	224/443
4,744,590 A	5/1988	Chesney	
D306,992 S	* 4/1990	Morehouse	D12/408
5,377,886 A	1/1995	Sickler	
5,497,927 A	3/1996	Peterson	

5,649,732 A	7/1997	Jordan	
5,699,985 A	12/1997	Vogel	
D393,241 S	* 4/1998	Diotte	D12/408
5,839,875 A	* 11/1998	Miller et al.	414/462
6,019,266 A	2/2000	Johnson	
6,179,184 B1	* 1/2001	Belinky et al.	224/510
6,390,343 B1	* 5/2002	Jain	224/524
D458,579 S	* 6/2002	Adams et al.	D12/406
D467,218 S	12/2002	Peschmann	
6,579,055 B1	6/2003	Williams	

* cited by examiner

Primary Examiner—Alan P. Douglas

Assistant Examiner—Linda Brooks

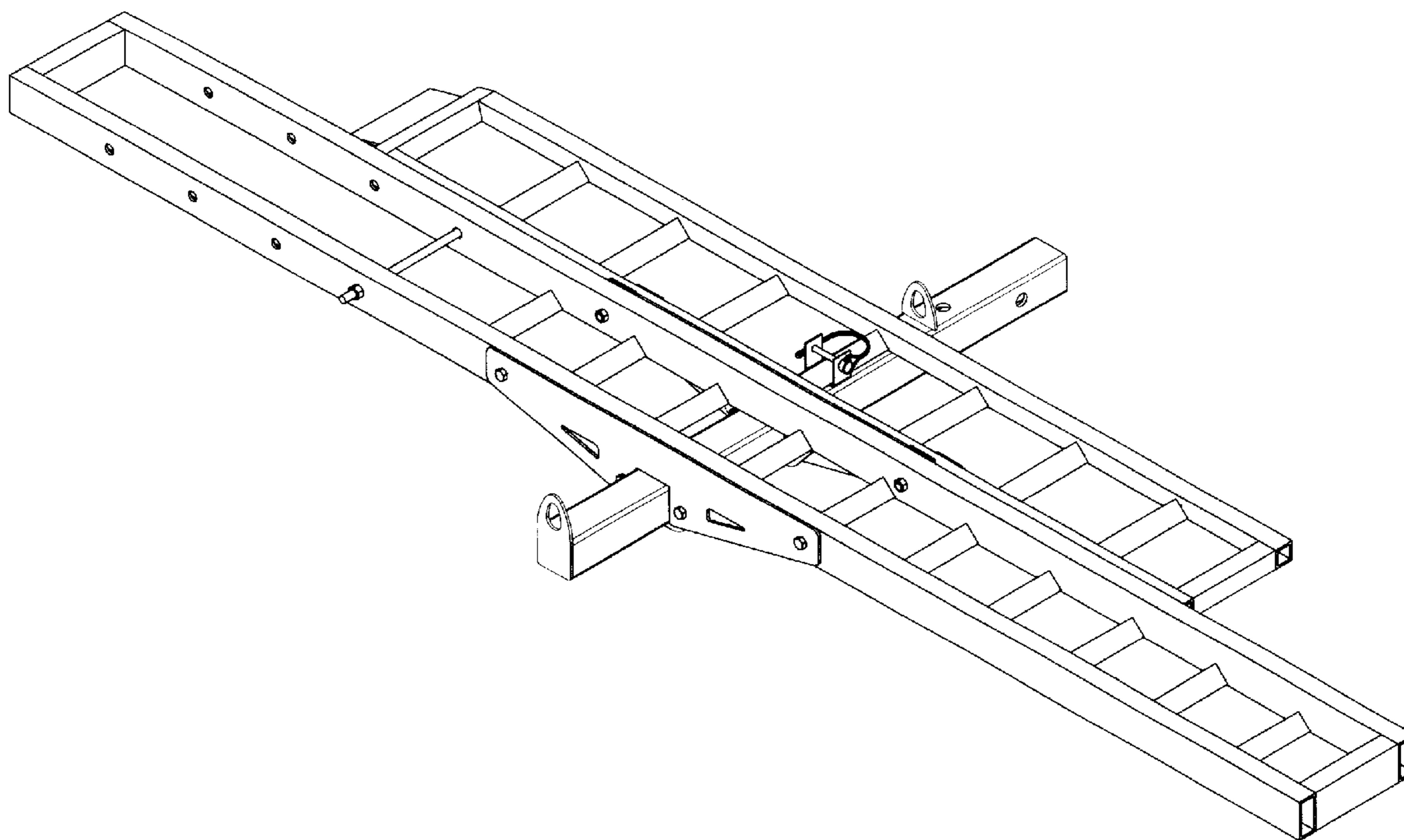
(57) **CLAIM**

The ornamental design for a motorcycle carrier, as shown and described.

DESCRIPTION

FIG. 1 is a front perspective view of a motorcycle carrier. FIG. 2 is a rear perspective view of a motorcycle carrier. FIG. 3 is a front elevation view of the motorcycle carrier. FIG. 4 is a rear elevation view of the motorcycle carrier. FIG. 5 is a top plan view of the motorcycle carrier. FIG. 6 is a bottom plan view of the motorcycle carrier. FIG. 7 is a left side elevation view of the motorcycle carrier; and, FIG. 8 is a right side elevation view of the motorcycle carrier.

1 Claim, 4 Drawing Sheets



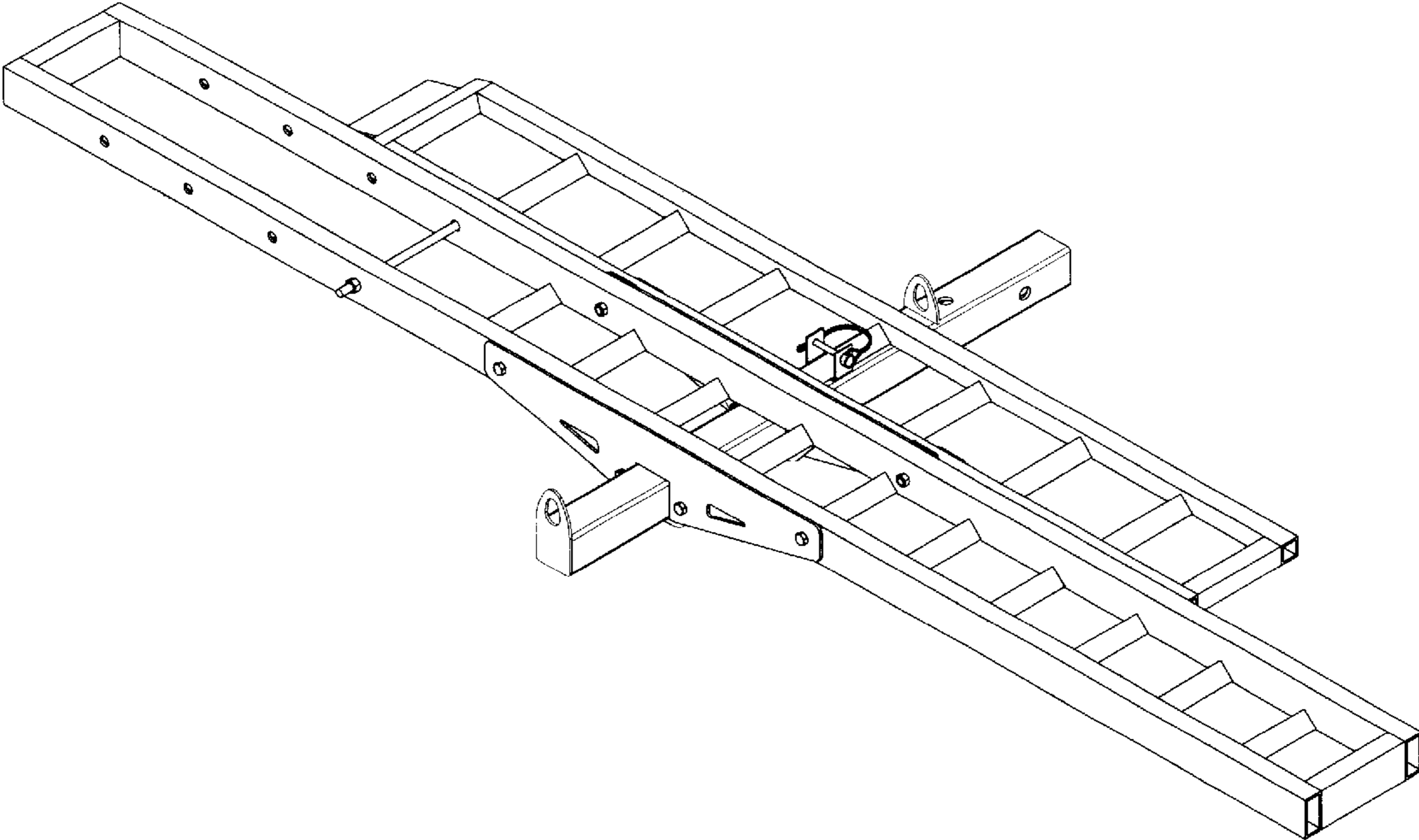


Figure 1

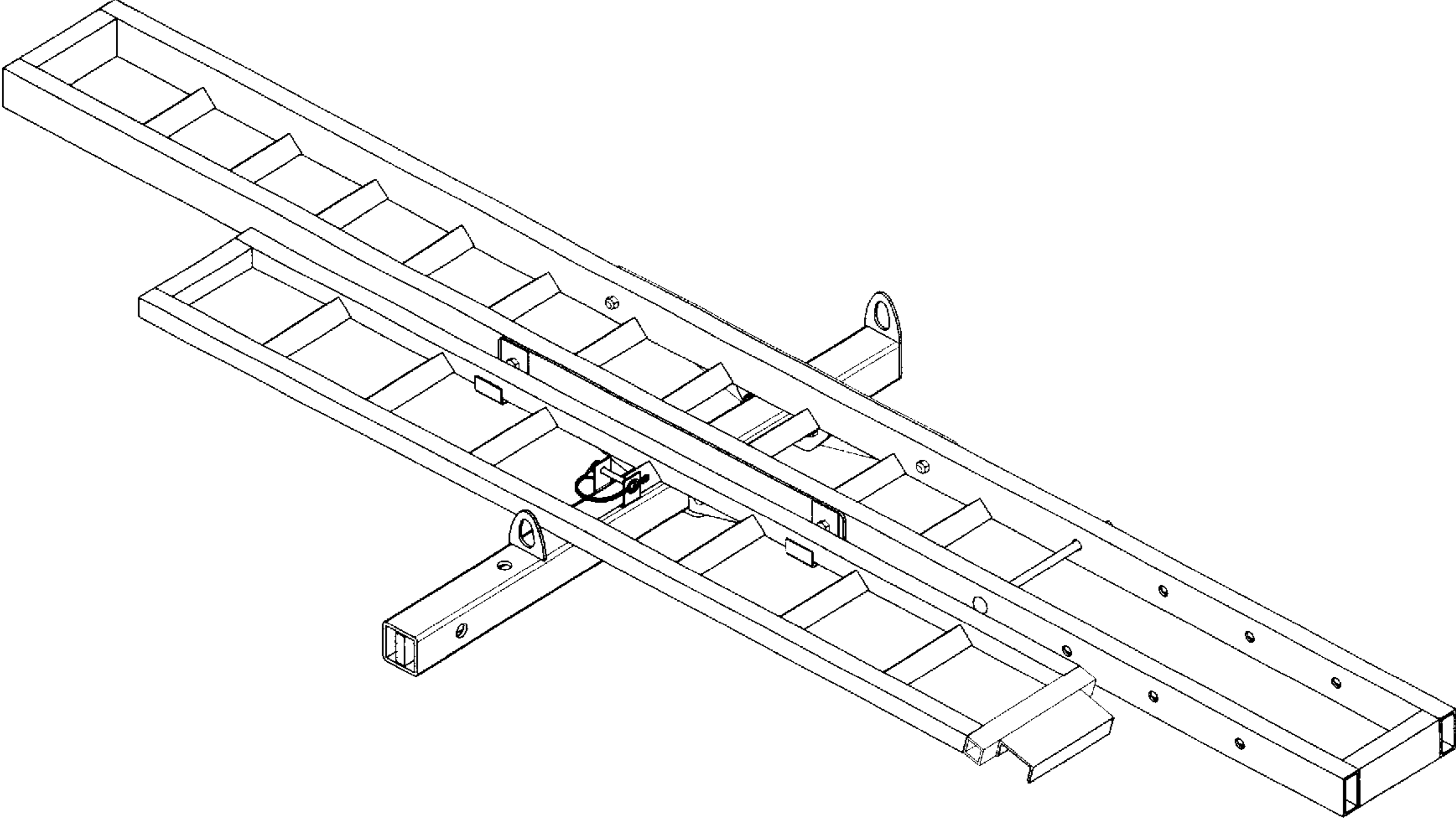


Figure 2

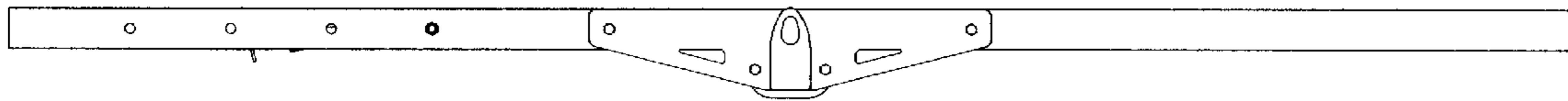


Figure 3

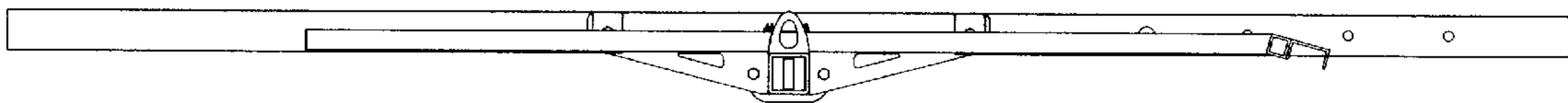


Figure 4

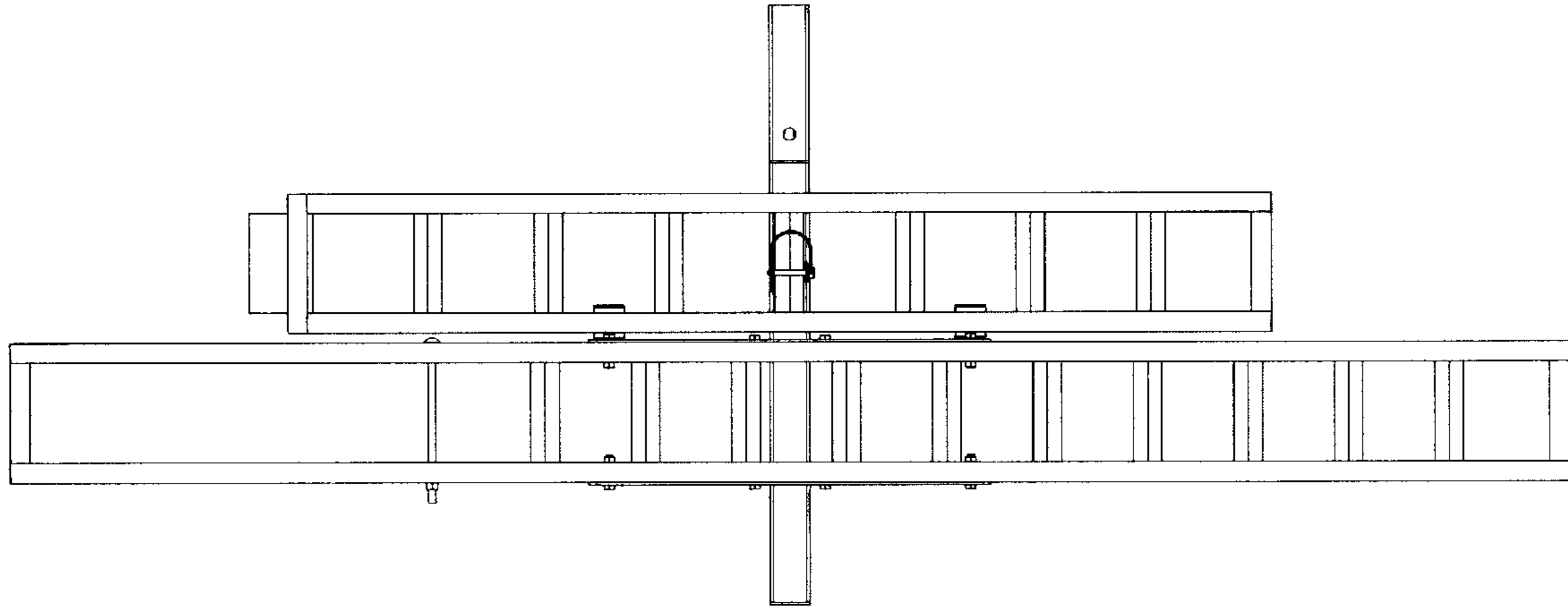


Figure 5

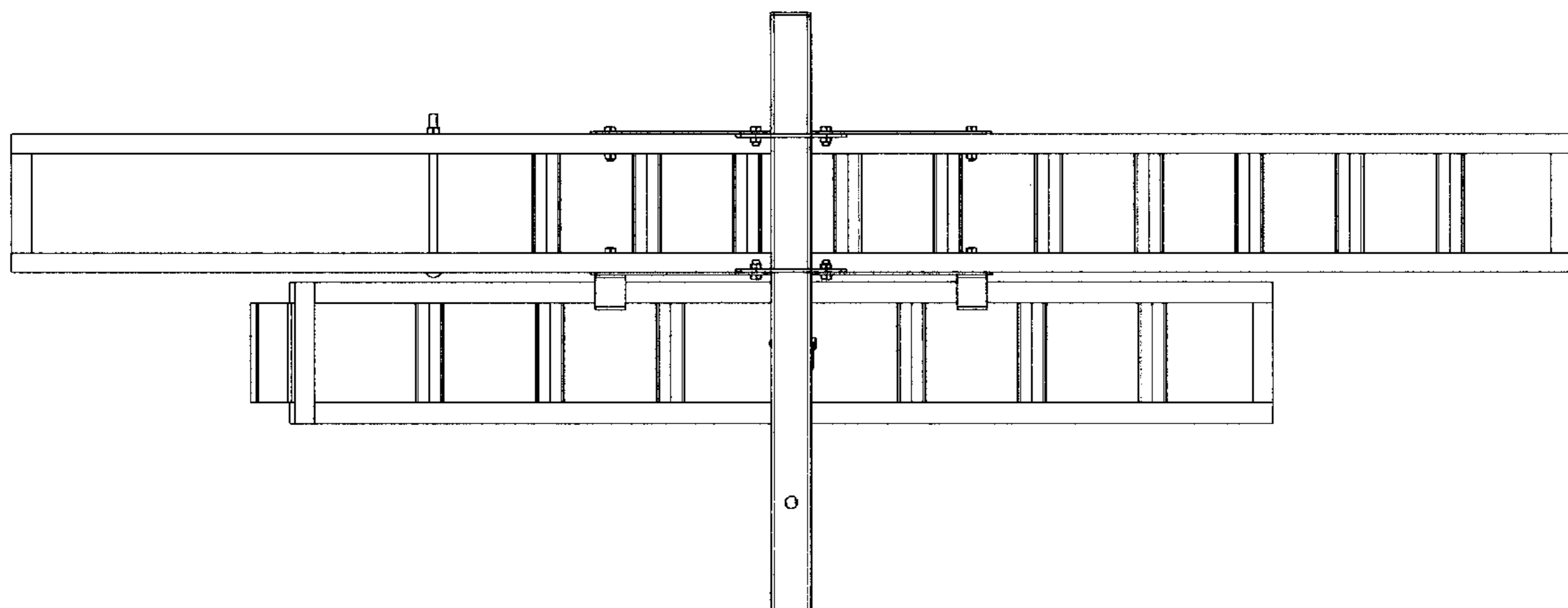


Figure 6

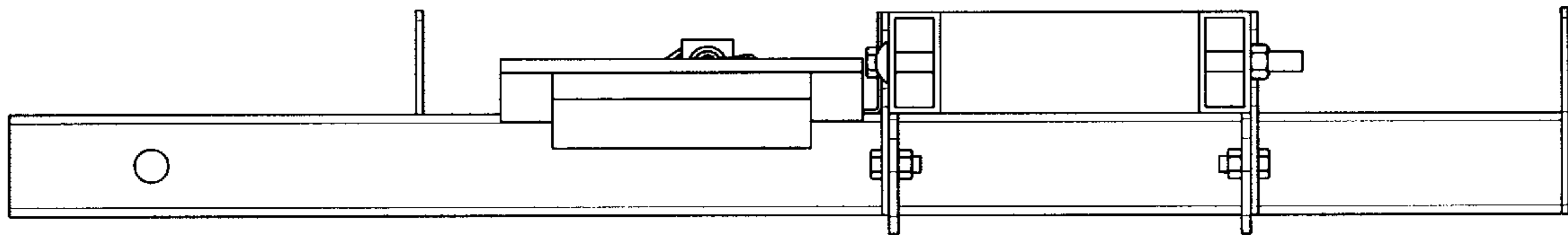


Figure 7

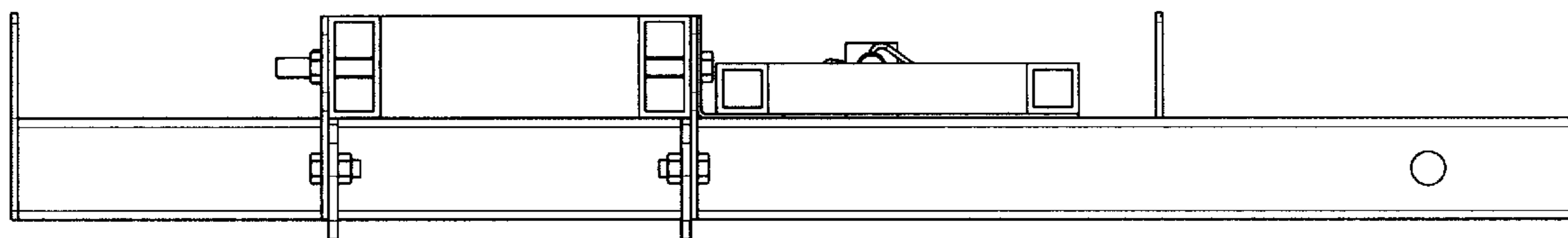


Figure 8