



US00D528062S

(12) **United States Design Patent**
Hosoi

(10) **Patent No.:** **US D528,062 S**

(45) **Date of Patent:** **** Sep. 12, 2006**

(54) **WHEEL**

(75) Inventor: **Kazuhisa Hosoi**, Aichi-ken (JP)

(73) Assignee: **Kosei Aluminum, Co., Inc.**, Aichi (JP)

(**) Term: **14 Years**

(21) Appl. No.: **29/240,251**

(22) Filed: **Oct. 11, 2005**

(51) **LOC (8) Cl.** **12-16**

(52) **U.S. Cl.** **D12/211**

(58) **Field of Classification Search** D12/204-213;
301/37.101, 64.101, 65

See application file for complete search history.

(56) **References Cited**

U.S. PATENT DOCUMENTS

D391,215 S	*	2/1998	Cervati	D12/209
D422,258 S	*	4/2000	Hale, Jr.	D12/211
D456,757 S	*	5/2002	Schroeder	D12/211
D474,141 S	*	5/2003	Foose	D12/211
D474,440 S	*	5/2003	Oh	D12/211
D475,670 S	*	6/2003	Chung	D12/209

D497,863 S	*	11/2004	Cahyono	D12/209
D503,919 S	*	4/2005	Cahyono	D12/211
D506,172 S	*	6/2005	Pfeiffer	D12/211
D512,949 S	*	12/2005	Ettensberger	D12/211

OTHER PUBLICATIONS

Kosei Company Profile—Working in Harmony with the Environment—circa. 2003.

* cited by examiner

Primary Examiner—Stacia Cadmus

(74) *Attorney, Agent, or Firm*—Cook, Alex, McFarron, Manzo, Cummings & Mehler, Ltd.

(57) **CLAIM**

The ornamental design for a wheel, as shown and described.

DESCRIPTION

FIG. 1 is a front perspective view of a wheel showing the new design;

FIG. 2 is a front elevational view thereof; and,

FIG. 3 is a top plan view thereof, the bottom plan view being identical thereto.

1 Claim, 2 Drawing Sheets

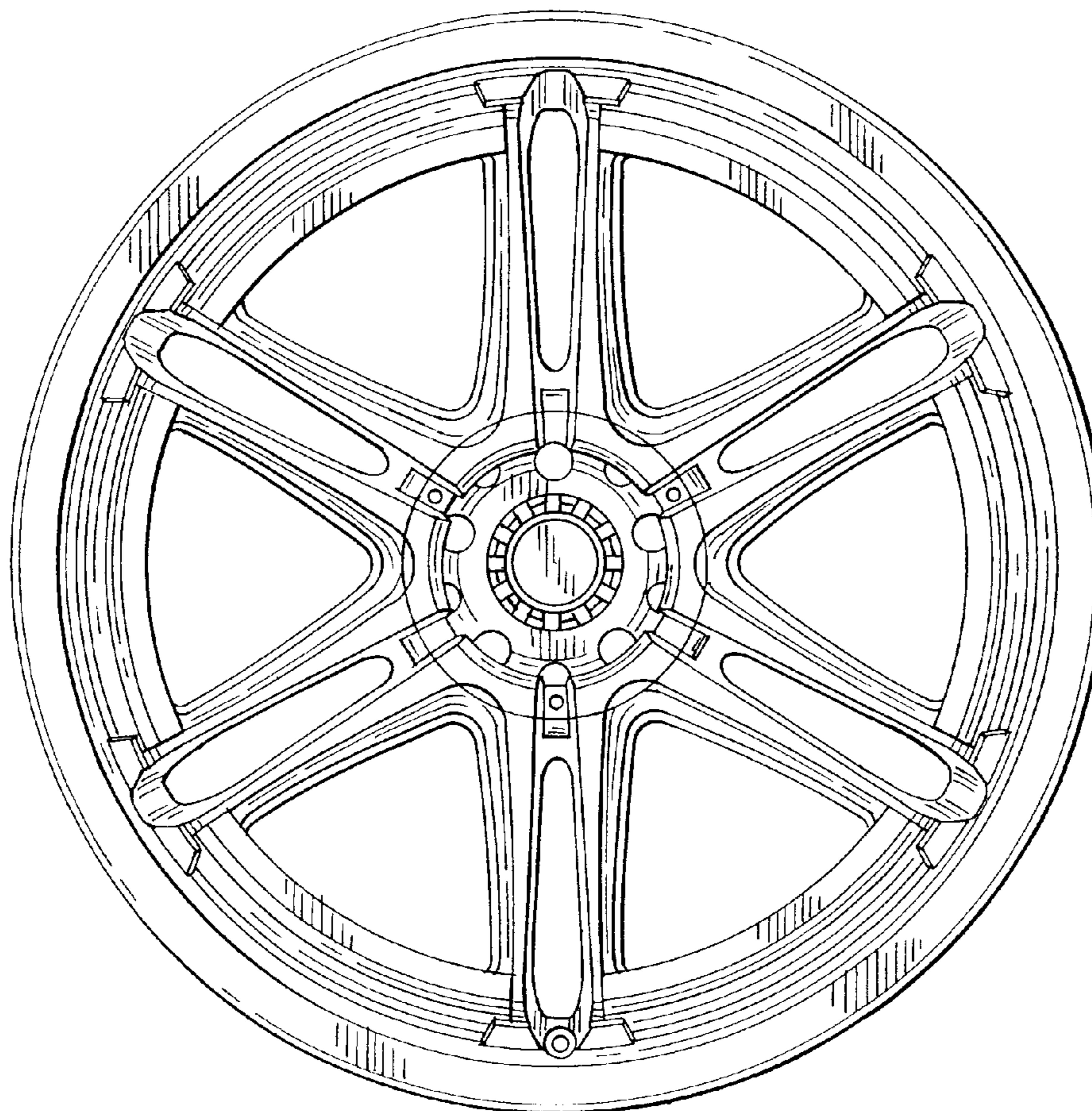


FIG.1

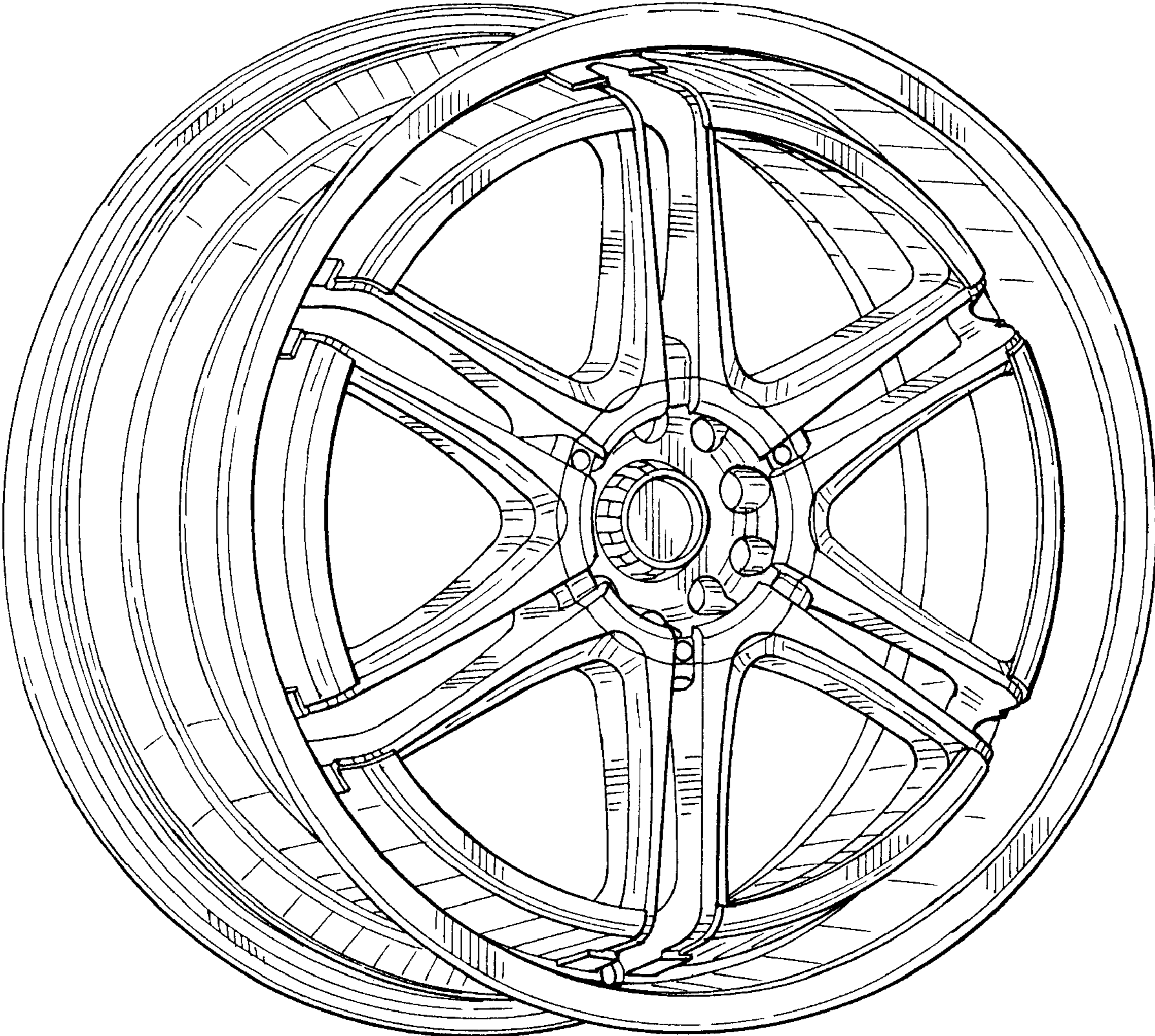


FIG.3

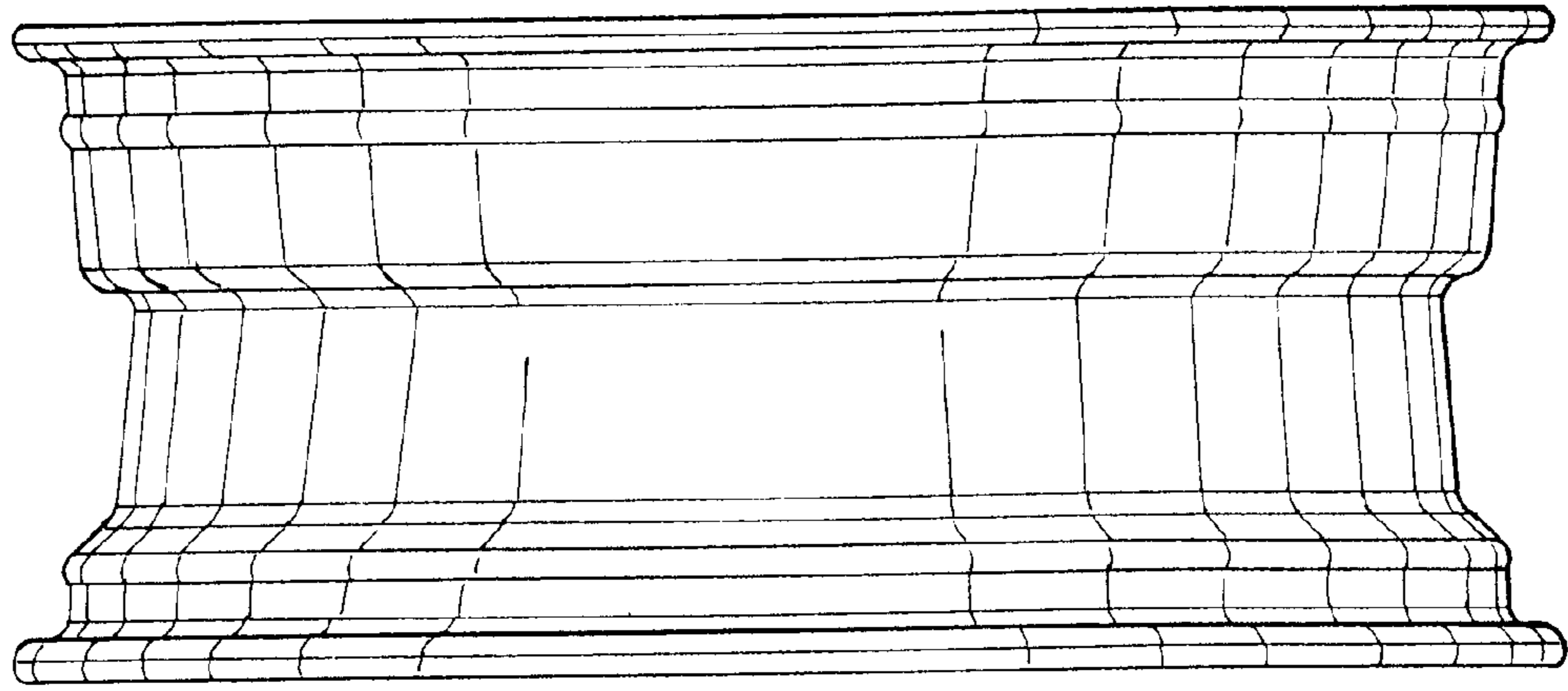


FIG.2

