



US00D528061S

(12) **United States Design Patent**  
**Saridakis et al.**

(10) **Patent No.:** **US D528,061 S**

(45) **Date of Patent:** **\*\* Sep. 12, 2006**

(54) **AUTOMOTIVE WHEEL**

(75) Inventors: **George Saridakis**, Ann Arbor, MI (US); **David Woodhouse**, Newport Coast, CA (US)

(73) Assignee: **Ford Global Technologies, LLC**, Dearborn, MI (US)

(\*\*) **Term:** **14 Years**

(21) Appl. No.: **29/228,600**

(22) Filed: **Apr. 26, 2005**

(51) **LOC (8) Cl.** ..... **12-16**

(52) **U.S. Cl.** ..... **D12/211**

(58) **Field of Classification Search** ..... D12/204–213;  
301/37.101, 64.101, 65

See application file for complete search history.

(56) **References Cited**

U.S. PATENT DOCUMENTS

D303,517 S	9/1989	Bell et al.	
D402,951 S	* 12/1998	Wechner	D12/211
D432,974 S	* 10/2000	Jablonski	D12/211
D451,877 S	* 12/2001	Lee	D12/211
D453,494 S	* 2/2002	Brown et al.	D12/211
D457,478 S	* 5/2002	Minamisawa	D12/211
D461,441 S	* 8/2002	Hartanto	D12/211
D470,094 S	* 2/2003	van Hooydonk	D12/211
D472,865 S	* 4/2003	Wechner	D12/211
D476,283 S	* 6/2003	Baumgartner	D12/211
D485,524 S	* 1/2004	Bhambra	D12/209
D495,285 S	8/2004	Phillips	

D502,677 S	*	3/2005	Baum	D12/209
D506,964 S		7/2005	Sugiyama	
D506,965 S		7/2005	Kataoka	
D506,967 S		7/2005	Kamimura	
D507,221 S		7/2005	Stopka	
D507,223 S		7/2005	Szavits	
D507,224 S		7/2005	Pfeiffer	
D507,225 S		7/2005	Velazco	
D507,518 S		7/2005	Scheu	
D507,775 S		7/2005	Pfeiffer	
D508,006 S		8/2005	Laengerer	

\* cited by examiner

*Primary Examiner*—Stacia Cadmus

(74) *Attorney, Agent, or Firm*—Frank A. MacKenzie

(57) **CLAIM**

The ornamental design for an automotive wheel, as shown and described.

**DESCRIPTION**

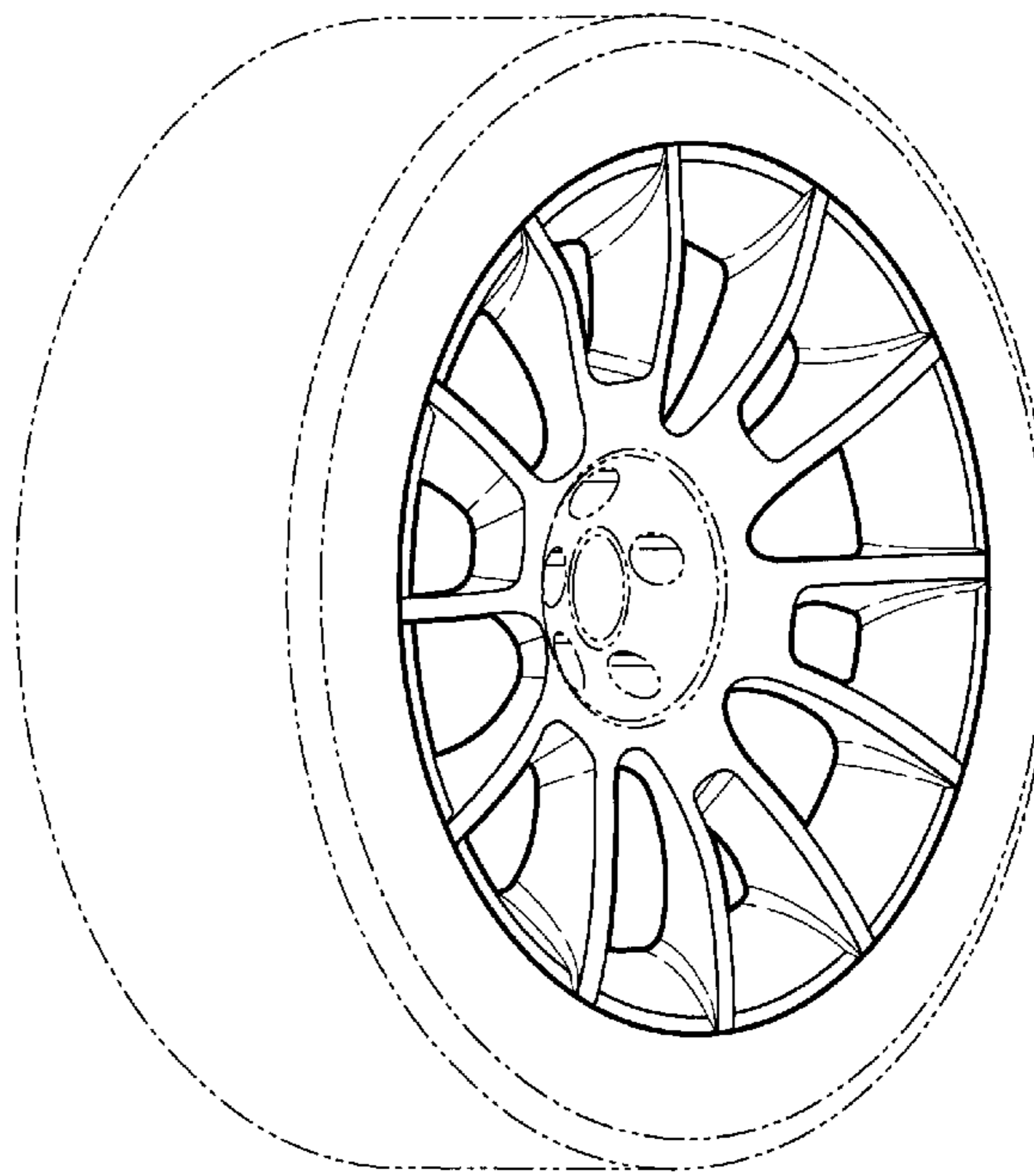
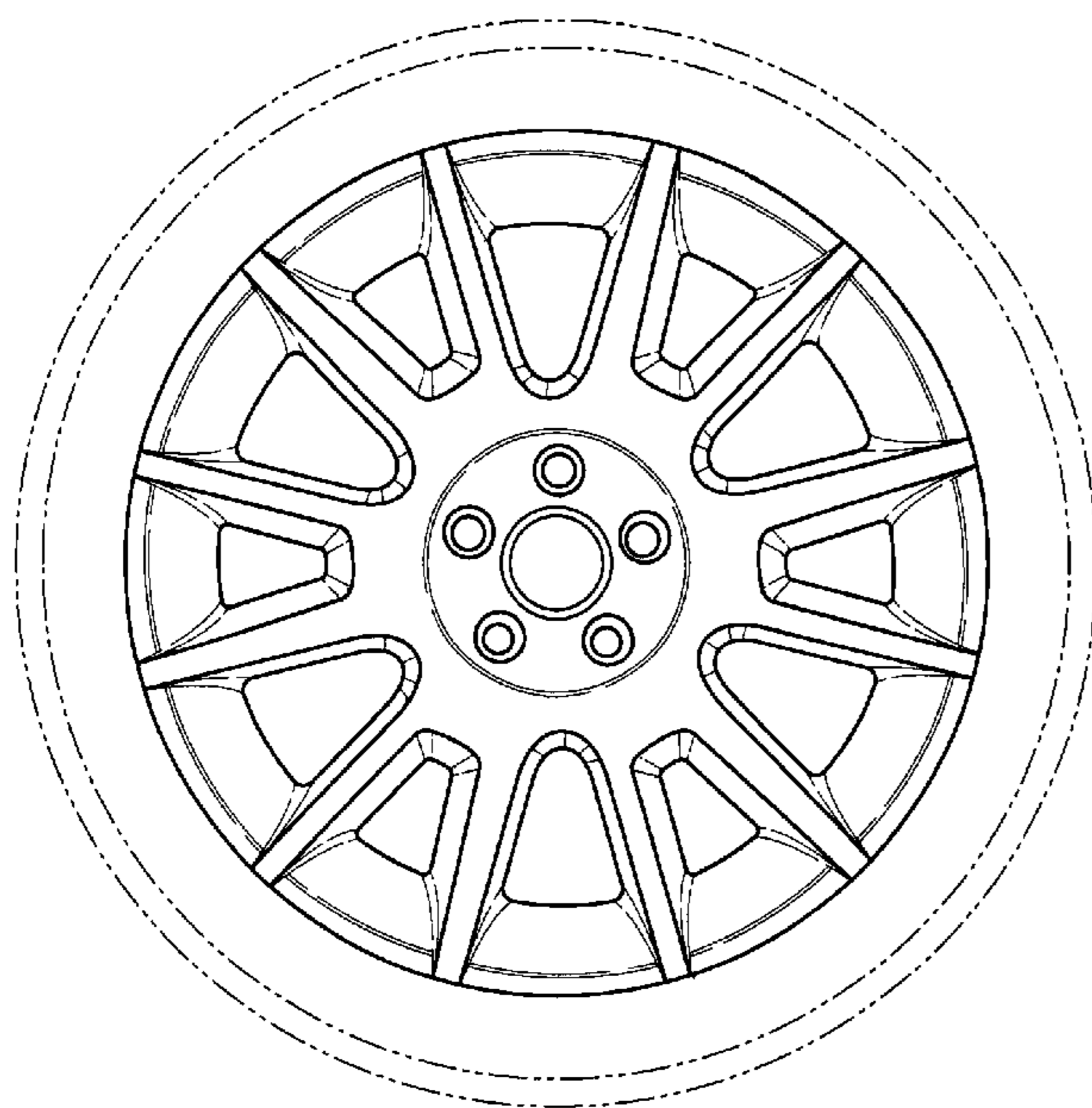
FIG. 1 is a side elevation view of a first embodiment automotive wheel in accordance with the present invention; FIG. 2 is a side perspective view of the automotive wheel of FIG. 1;

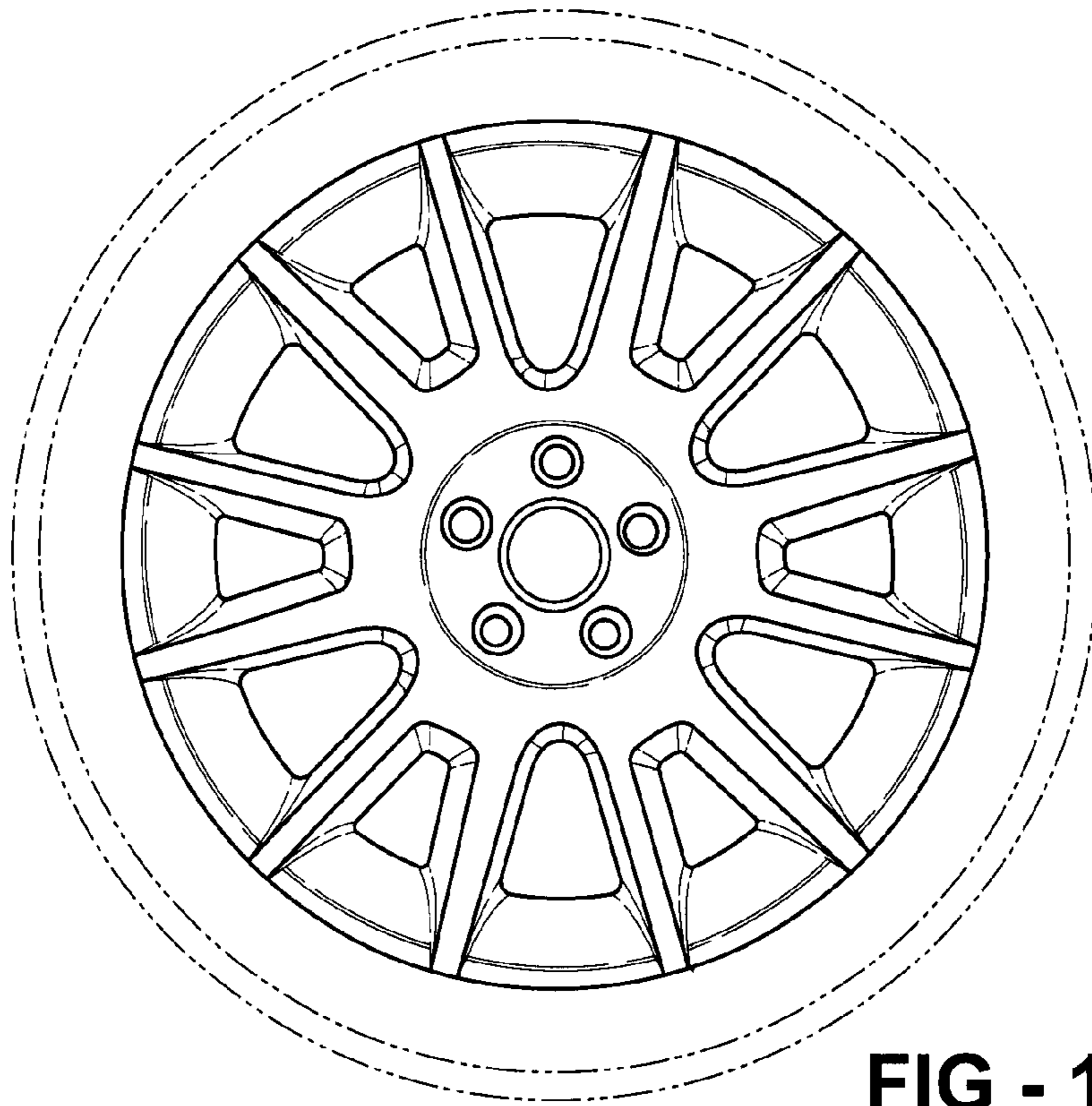
FIG. 3 is a side elevation view of second embodiment automotive wheel in accordance with the present invention; and,

FIG. 4 is a side perspective view of the automotive wheel of FIG. 3.

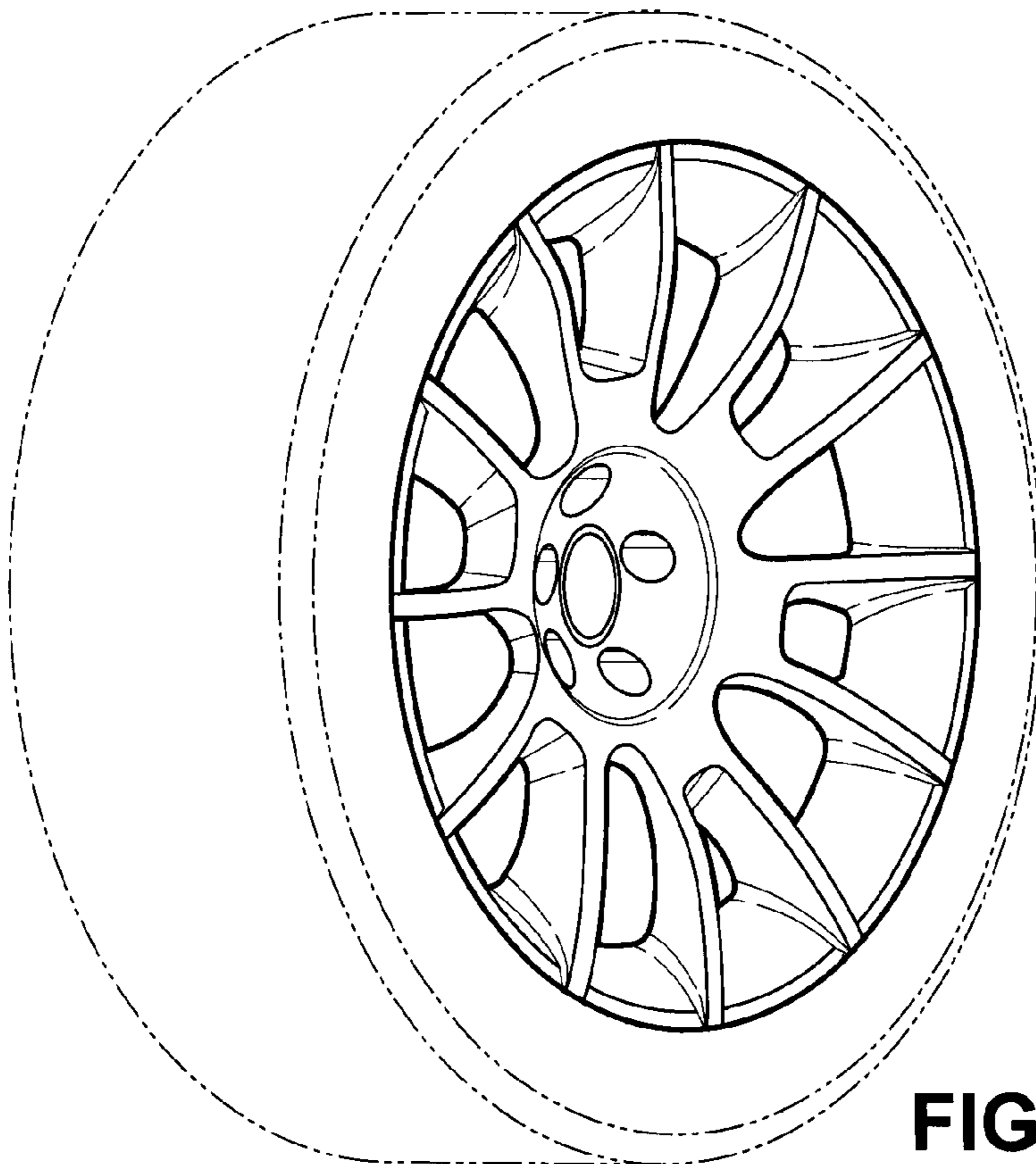
The broken lines are for illustrative purposes only and form no part of the claimed design.

**1 Claim, 2 Drawing Sheets**

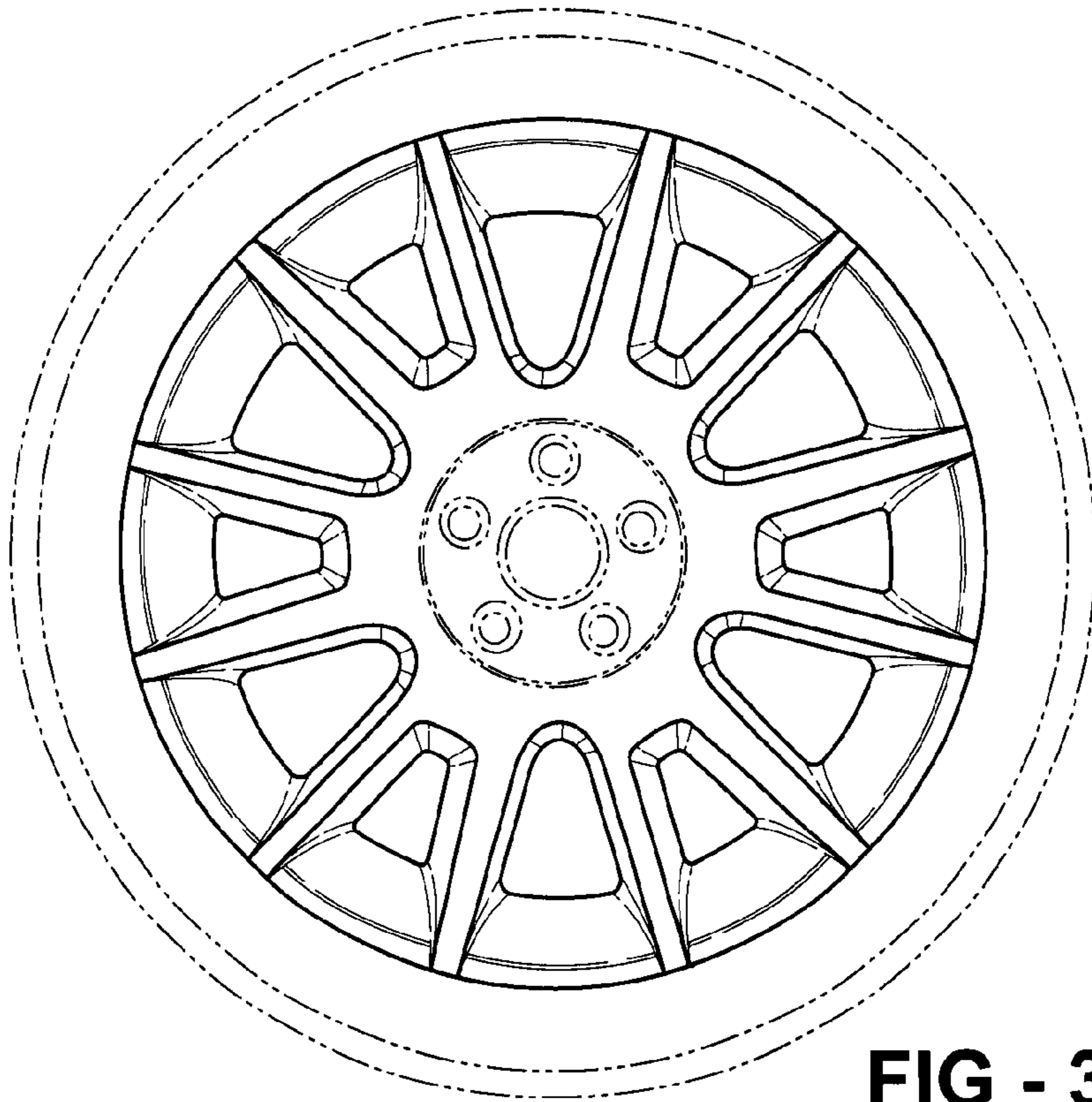




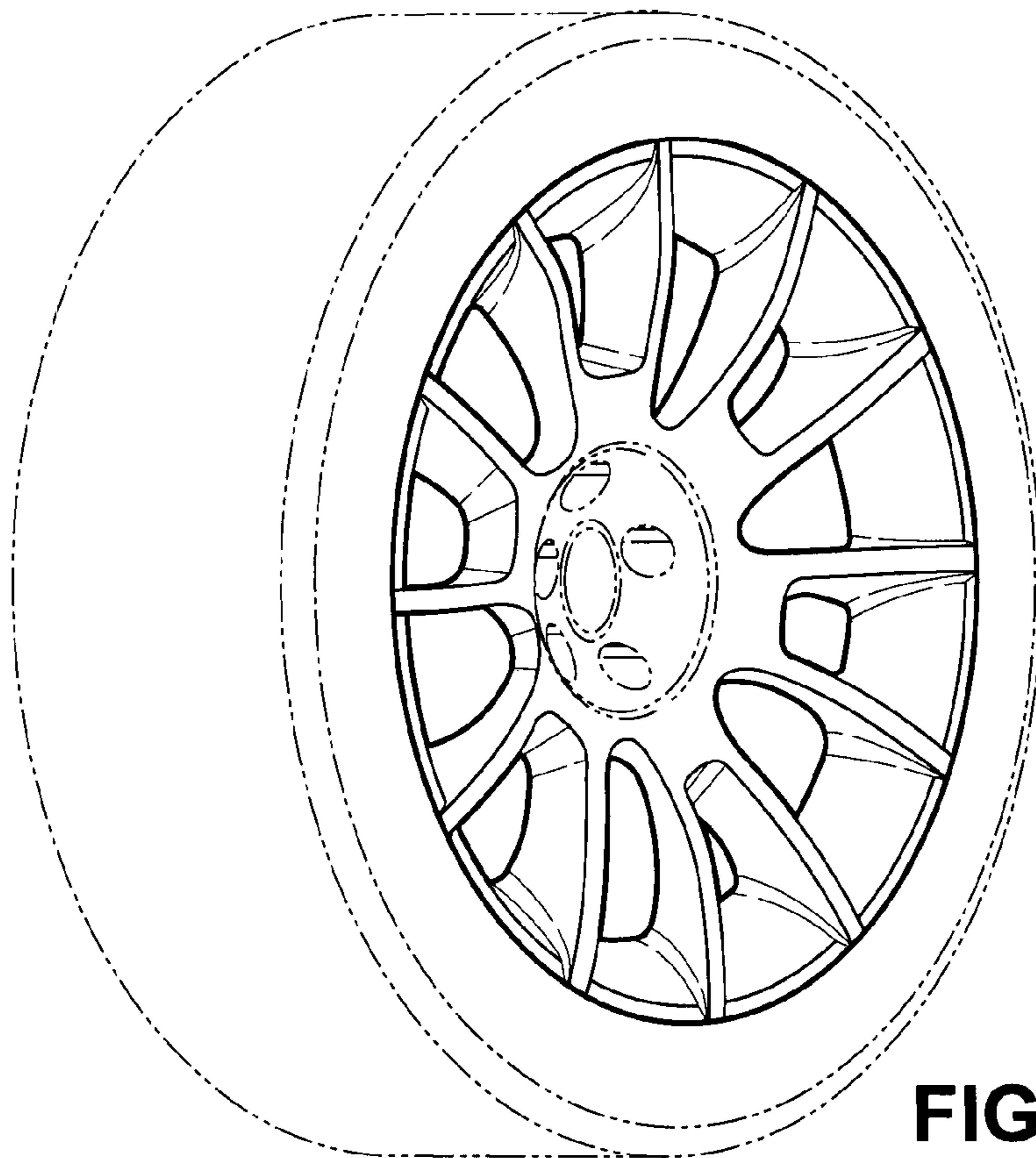
**FIG - 1**



**FIG - 2**



**FIG - 3**



**FIG - 4**