

US00D528060S

(12) **United States Design Patent**  
**Laengerer**

(10) **Patent No.:** **US D528,060 S**  
(45) **Date of Patent:** **\*\* Sep. 12, 2006**

(54) **FRONT FACE OF A VEHICLE WHEEL**

(75) Inventor: **Marcus Laengerer**, Renningen (DE)

(73) Assignee: **DaimlerChrysler AG**, Stuttgart (DE)

(\*\*) Term: **14 Years**

(21) Appl. No.: **29/224,451**

(22) Filed: **Mar. 3, 2005**

(30) **Foreign Application Priority Data**

Sep. 8, 2004 (DE) ..... 40405078

(51) **LOC (8) Cl.** ..... **12-16**

(52) **U.S. Cl.** ..... **D12/209**

(58) **Field of Classification Search** ..... D12/204-213;  
301/37.101, 64.101, 65

See application file for complete search history.

(56) **References Cited**

**U.S. PATENT DOCUMENTS**

- D444,118 S \* 6/2001 Chung ..... D12/211
- D455,109 S \* 4/2002 Foose ..... D12/211
- D456,335 S \* 4/2002 Chung ..... D12/211
- D480,348 S \* 10/2003 Donikoglu ..... D12/211
- D481,982 S \* 11/2003 Takechi ..... D12/211

- D499,059 S \* 11/2004 Cahyono ..... D12/209
- D504,860 S \* 5/2005 Kushartanto ..... D12/211
- D505,373 S \* 5/2005 Pfeiffer ..... D12/209
- D516,978 S \* 3/2006 Muzzarelli ..... D12/209

\* cited by examiner

*Primary Examiner*—Stacia Cadmus

(74) *Attorney, Agent, or Firm*—Crowell & Moring LLP

(57) **CLAIM**

The ornamental design for a front face of a vehicle wheel, as shown and described.

**DESCRIPTION**

FIG. 1 is a front view of a first embodiment of a front face of a vehicle wheel according to my novel design;

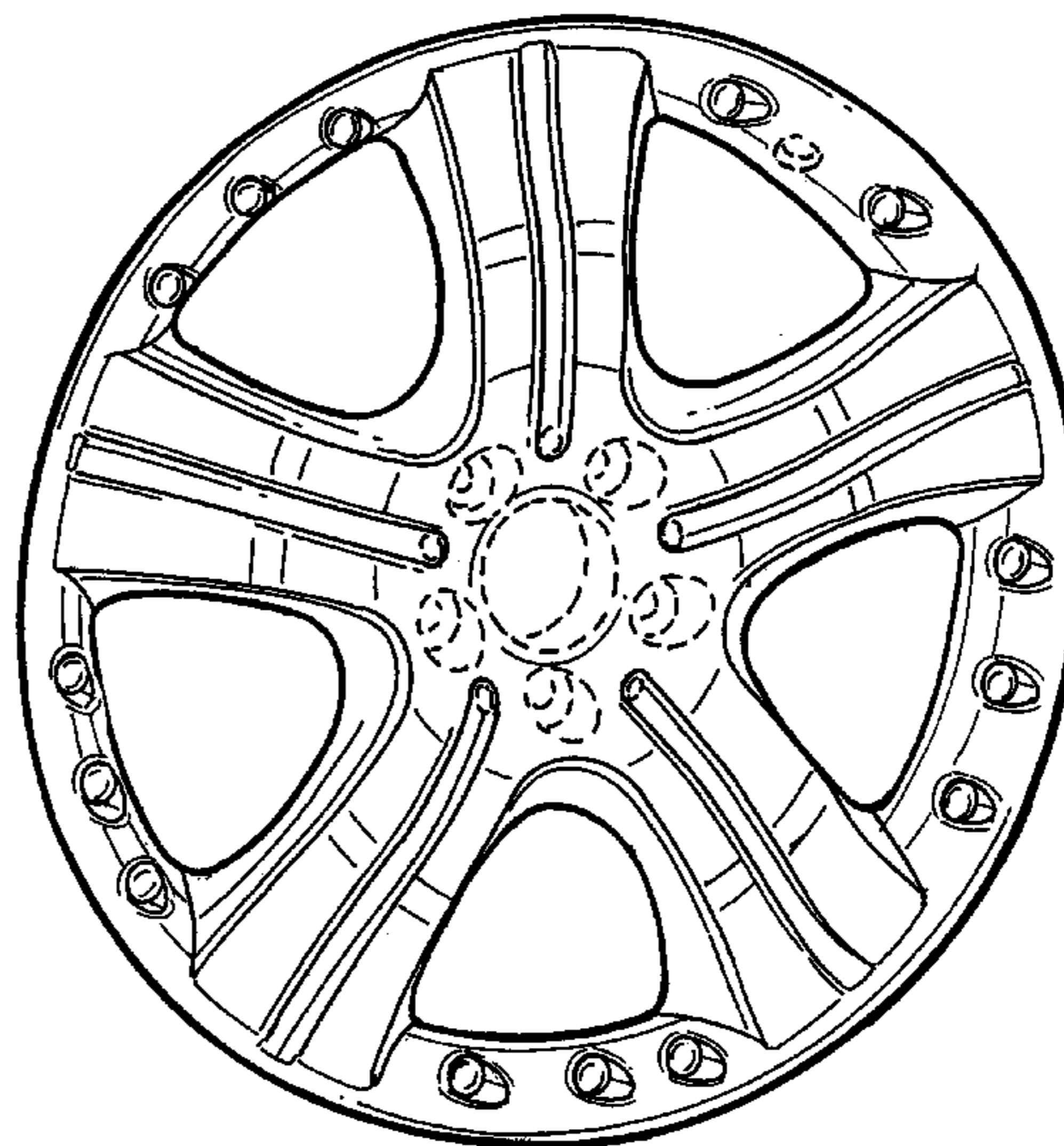
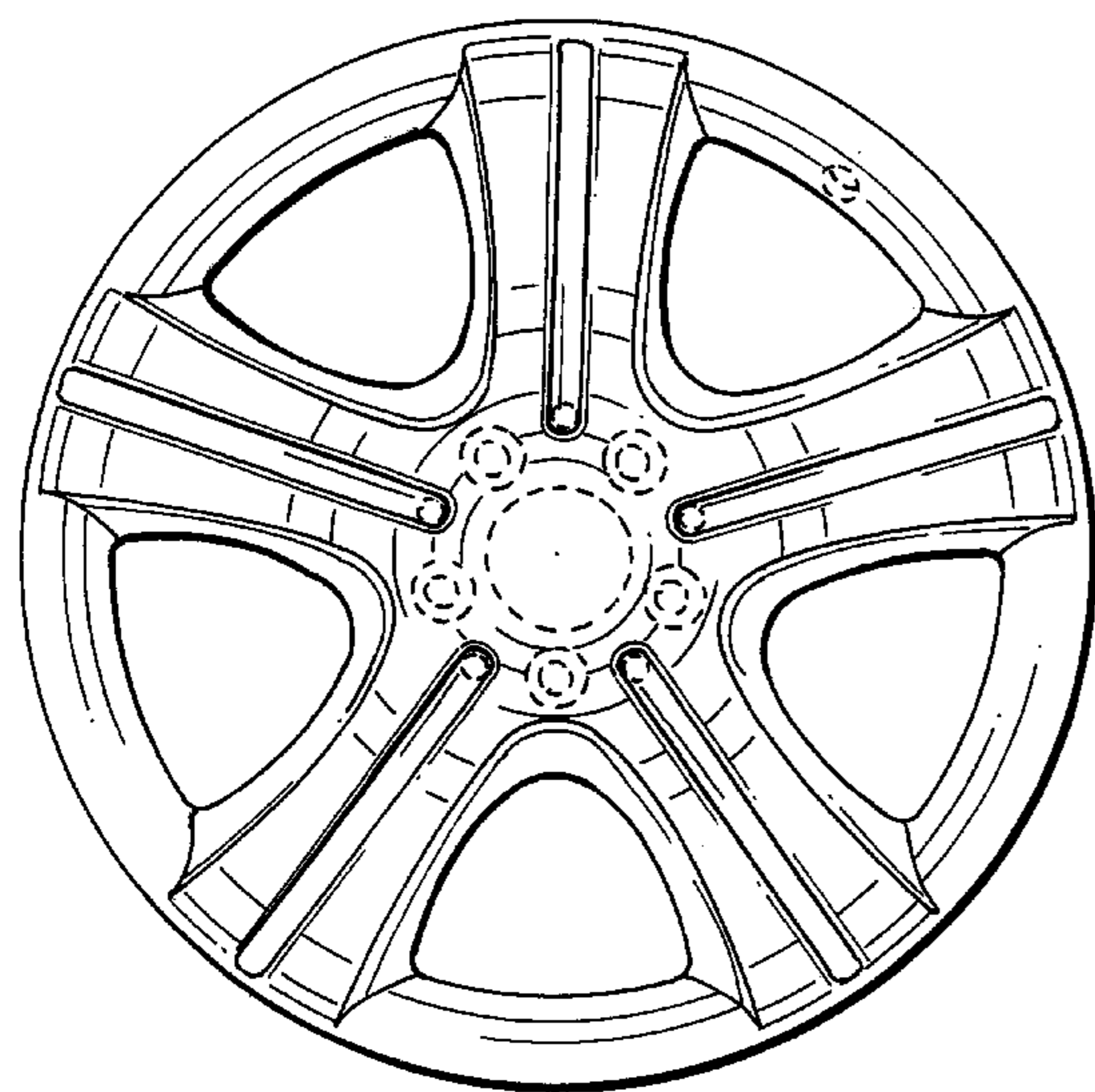
FIG. 2 is a perspective view of the first embodiment of the front face of a vehicle wheel according to my novel design;

FIG. 3 is a front view of a second embodiment of the front face of a vehicle wheel according to my novel design; and,

FIG. 4 is a perspective view of the second embodiment of the front face of a vehicle wheel according to my novel design.

The broken lines are for illustrative purposes only and form no part of the claimed design.

**1 Claim, 2 Drawing Sheets**



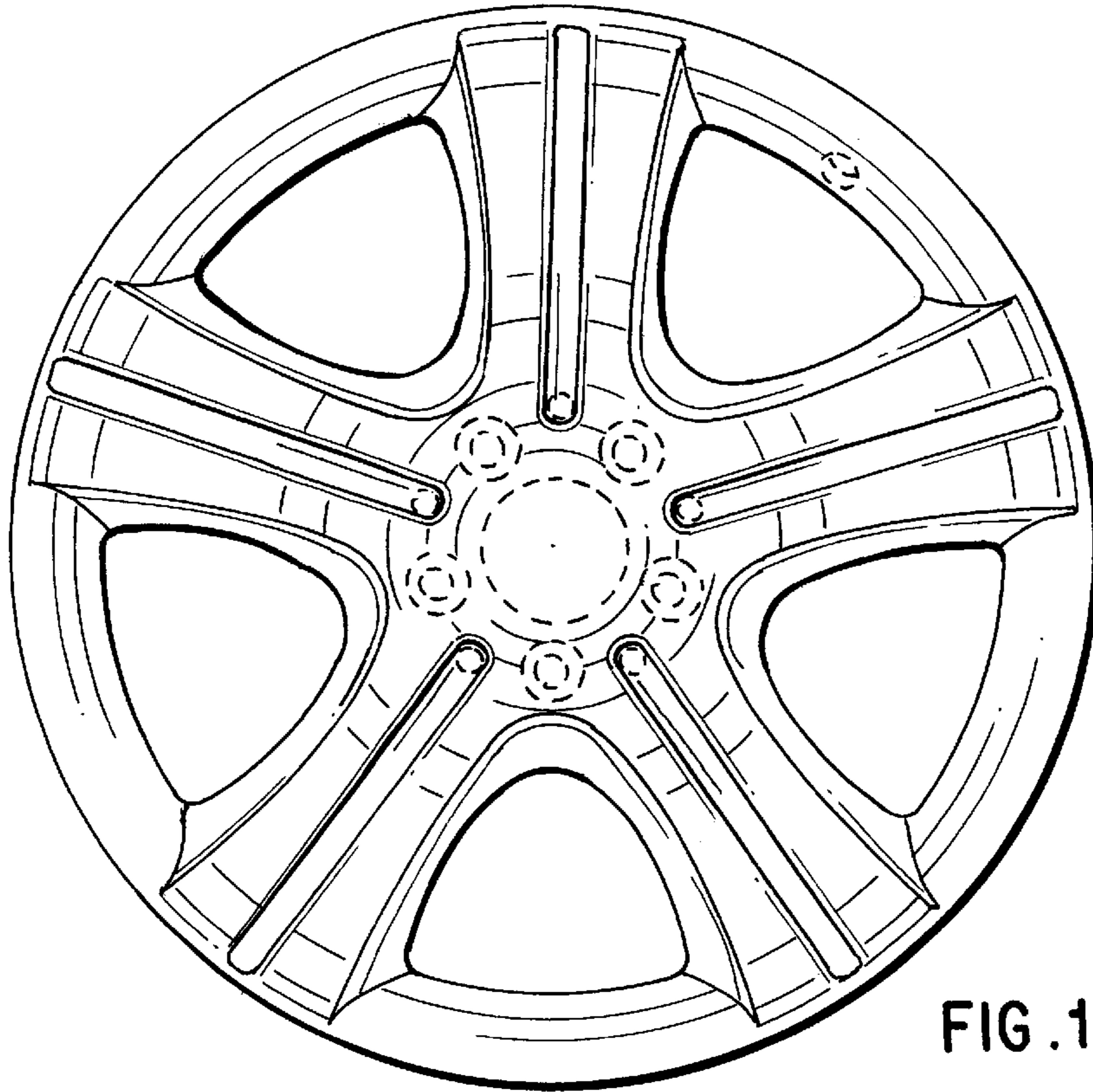


FIG. 1

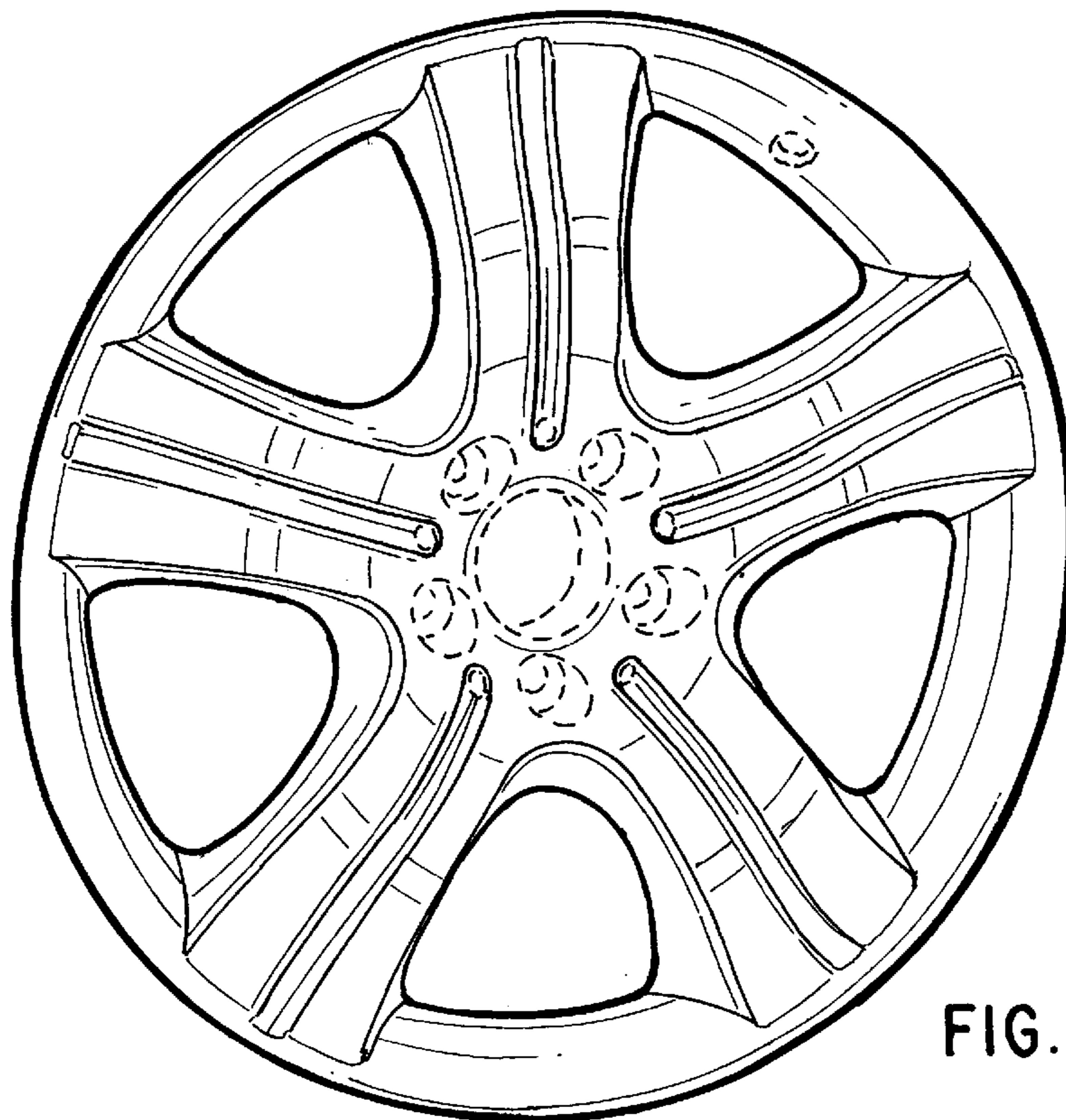


FIG. 2

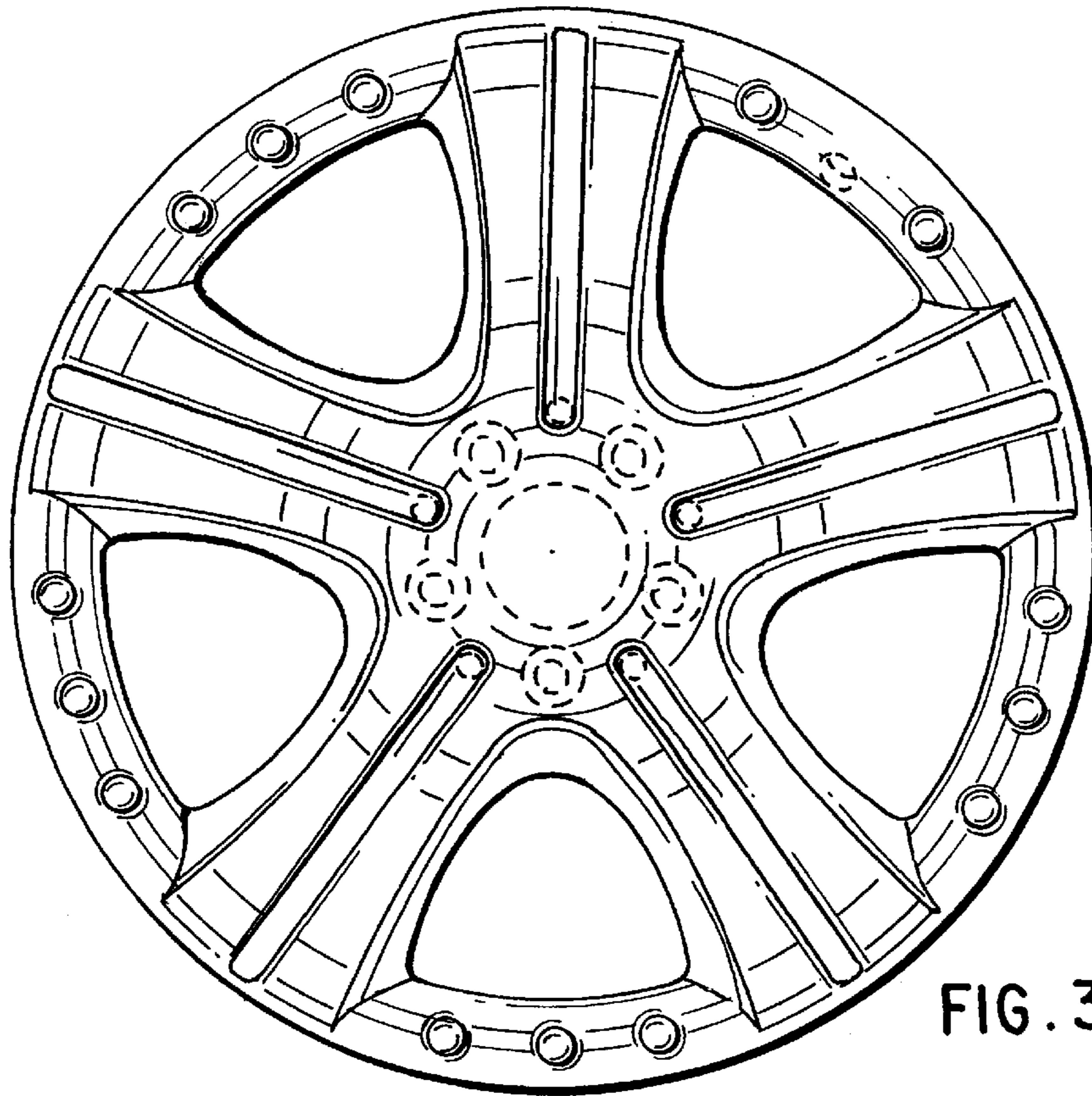


FIG. 3

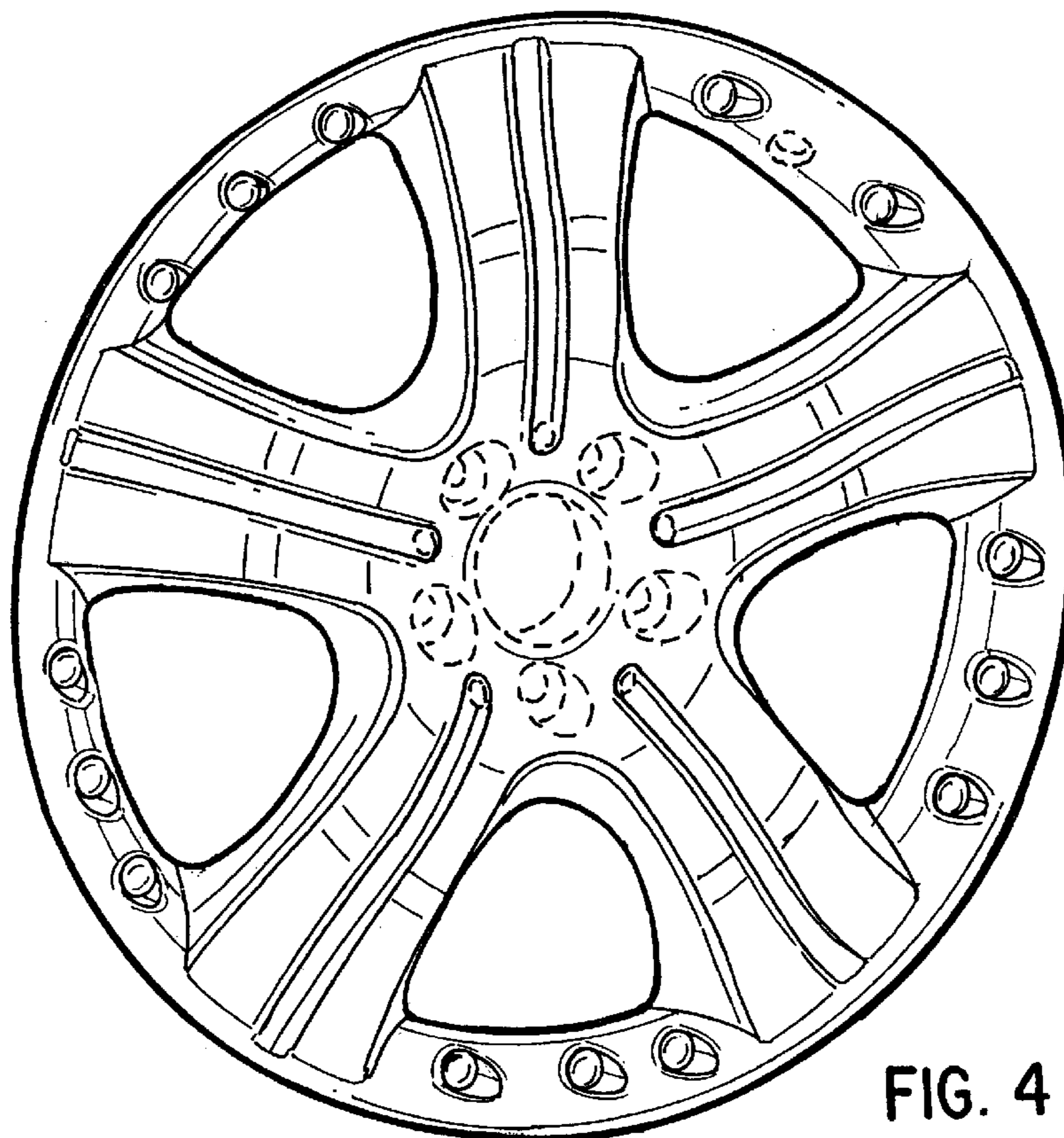


FIG. 4