

US00D528058S

(12) **United States Design Patent**  
**Sulahian**

(10) **Patent No.:** **US D528,058 S**

(45) **Date of Patent:** **\*\* Sep. 12, 2006**

(54) **PORTION OF A FRONT FACE OF A VEHICLE WHEEL**

D450,649 S 11/2001 Penzes  
D451,067 S 11/2001 Frizzi

(Continued)

(76) Inventor: **Diko Sulahian**, 12717 Ann St., Santa Fe Springs, CA (US) 90670

**OTHER PUBLICATIONS**

(\*\*) Term: **14 Years**

U.S. Appl. No. 29/192,205, filed Oct. 2003, Sulahian.  
U.S. Appl. No. 29/192,237, filed Oct. 2003, Sulahian.

(21) Appl. No.: **29/207,805**

(Continued)

(22) Filed: **Jun. 18, 2004**

*Primary Examiner*—Stacia Cadmus  
(74) *Attorney, Agent, or Firm*—Nixon & Vanderhye P.C.

**Related U.S. Application Data**

(63) Continuation of application No. 29/192,237, filed on Oct. 22, 2003, now Pat. No. Des. 494,121.

(51) **LOC (8) Cl.** ..... **12-16**

(52) **U.S. Cl.** ..... **D12/209**

(58) **Field of Classification Search** ..... D12/204–213;  
301/37.101, 64.101, 65  
See application file for complete search history.

(57) **CLAIM**

The ornamental design for a portion of a front face of a vehicle wheel, as shown and described.

**DESCRIPTION**

FIG. 1 is a front view of a portion of a wheel showing my new design;  
FIG. 2 is a front and left side perspective view of the portion of the wheel shown in FIG. 1;  
FIG. 3 is a different side and front perspective view of the portion of the wheel shown in FIG. 1;  
FIG. 4 is a front view of a portion of a wheel showing an alternate embodiment of my new design;  
FIG. 5 is a front and side perspective view of the portion of the wheel shown in FIG. 4; and,  
FIG. 6 is a different front and side perspective view of the portion of the wheel shown in FIG. 4.

Throughout the various figures of the drawings, certain views are not provided.

The omission of a particular view is intended to convey that the element(s) depicted is/are plain and unornamented in that omitted view, or that the particular ornamental appearance in that view is simply not claimed.

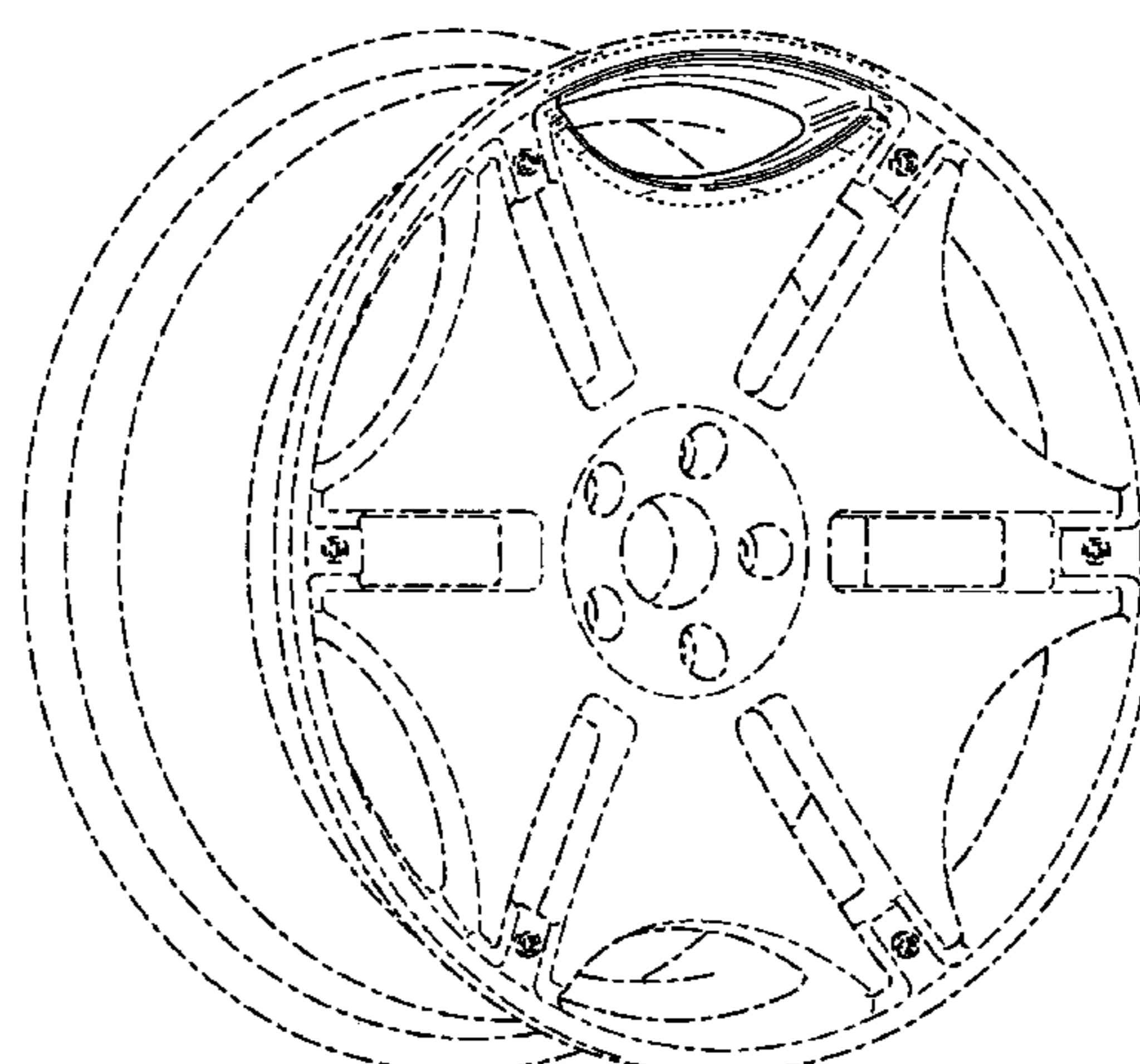
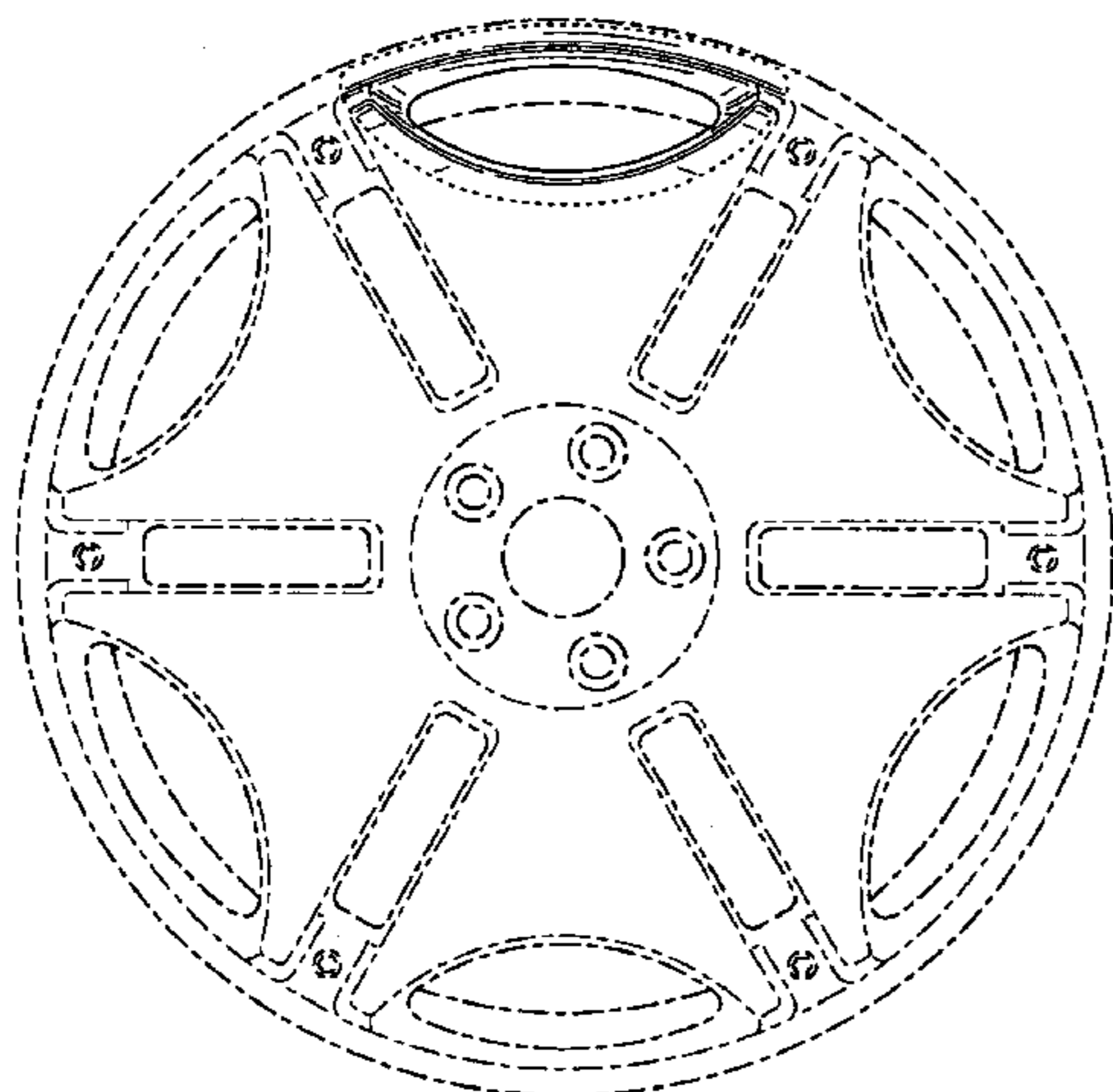
Where included, broken lines showing environment or structure are for illustrative purposes only and form no part of the claimed design. Where included, dotted lines showing the border between claimed and unclaimed subject matter form no part of the claimed design.

(56) **References Cited**

**U.S. PATENT DOCUMENTS**

|            |   |         |                   |       |         |
|------------|---|---------|-------------------|-------|---------|
| D199,055 S | * | 9/1964  | Schraft           | ..... | D12/209 |
| D225,989 S | * | 1/1973  | Chadwick          | ..... | D12/207 |
| D256,795 S | * | 9/1980  | Blanchard         | ..... | D12/209 |
| D299,918 S | * | 2/1989  | Envall et al.     | ..... | D12/209 |
| D325,018 S | * | 3/1992  | Nordmann          | ..... | D12/209 |
| D383,721 S | * | 9/1997  | Baker et al.      | ..... | D12/209 |
| D383,723 S | * | 9/1997  | Muzzarelli et al. | ..... | D12/209 |
| D396,681 S | * | 8/1998  | Boyer             | ..... | D12/209 |
| D402,951 S |   | 12/1998 | Wechner           |       |         |
| D407,055 S |   | 3/1999  | Kelly             |       |         |
| D414,454 S |   | 9/1999  | Chung             |       |         |
| D415,094 S |   | 10/1999 | Neeper            |       |         |
| D416,533 S |   | 11/1999 | Sulahian          |       |         |
| D420,967 S |   | 2/2000  | Sacco et al.      |       |         |
| D421,953 S |   | 3/2000  | Sims et al.       |       |         |
| D432,071 S |   | 10/2000 | Brown             |       |         |
| D437,278 S |   | 2/2001  | Sulahian          |       |         |
| D444,756 S |   | 7/2001  | Brintouch         |       |         |
| D446,180 S |   | 8/2001  | Sulahian et al.   |       |         |
| D446,493 S |   | 8/2001  | Sulahian et al.   |       |         |

**1 Claim, 6 Drawing Sheets**



# US D528,058 S

Page 2

## U.S. PATENT DOCUMENTS

|            |         |                 |            |           |                            |
|------------|---------|-----------------|------------|-----------|----------------------------|
| D451,462 S | 12/2001 | Donikoglu       | D479,178 S | 9/2003    | Lai                        |
| D451,872 S | 12/2001 | Arellano        | D481,984 S | 11/2003   | Sulahian                   |
| D455,697 S | 4/2002  | Chung           | D482,309 S | 11/2003   | Sulahian                   |
| D464,010 S | 10/2002 | Chung           | D482,996 S | 12/2003   | Sulahian                   |
| D464,308 S | 10/2002 | Chung           | D488,423 S | * 4/2004  | Chu ..... D12/209          |
| D465,186 S | 11/2002 | Chung           | D491,512 S | * 6/2004  | Kataoka ..... D12/209      |
| D466,851 S | 12/2002 | Pfeiffer et al. | D494,121 S | * 8/2004  | Sulahian ..... D12/209     |
| D466,854 S | 12/2002 | Kern            | D497,867 S | * 11/2004 | Walbey, Jr. .... D12/209   |
| D469,727 S | 2/2003  | Lenz            | D500,002 S | * 12/2004 | Kushartanto ..... D12/209  |
| D471,504 S | 3/2003  | Laengerer       | D512,359 S | * 12/2005 | Ettensberger ..... D12/209 |
| D472,864 S | 4/2003  | Kataoka         | D515,001 S | * 2/2006  | Looho ..... D12/209        |
| D473,836 S | 4/2003  | Laengerer       | D516,985 S | * 3/2006  | Looho ..... D12/209        |
| D474,439 S | 5/2003  | McMath          |            |           |                            |
| D477,558 S | 7/2003  | Brintouch       |            |           |                            |
| D478,305 S | 8/2003  | Kern            |            |           |                            |
| D478,540 S | 8/2003  | Sulahian        |            |           |                            |
| D478,541 S | 8/2003  | Sulahian        |            |           |                            |
| D478,542 S | 8/2003  | Sulahian        |            |           |                            |
| D479,172 S | 9/2003  | Sulahian        |            |           |                            |
| D479,174 S | 9/2003  | McMath          |            |           |                            |

## OTHER PUBLICATIONS

U.S. Appl. No. 29/192,204, filed Oct. 2003, Sulahian.  
Page from website of wtwcorp.com showing 6-Oval Wheel Rim, unknown but believed to be available more than one year prior to Oct. 22, 2003.

\* cited by examiner

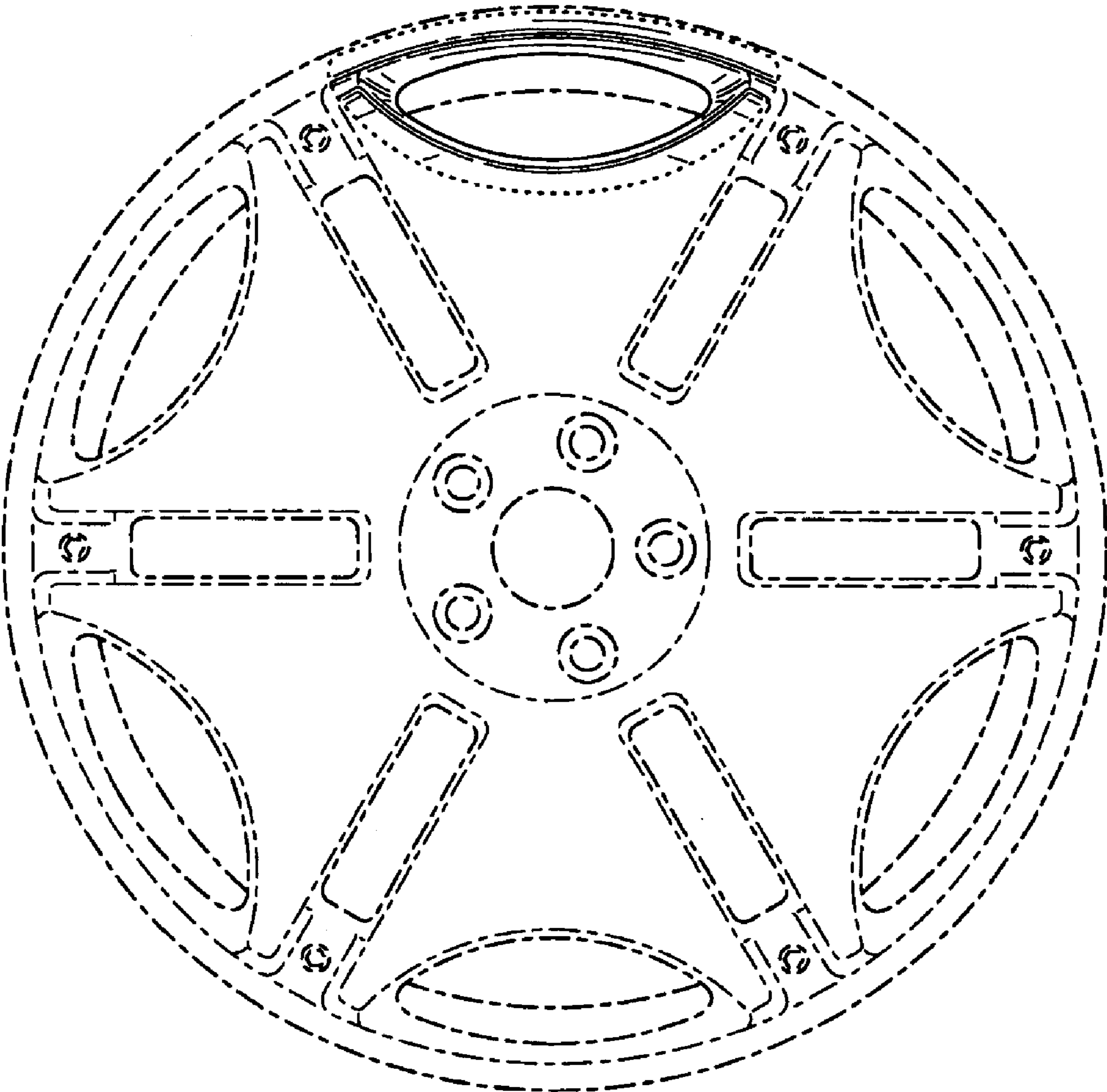


FIG. 1

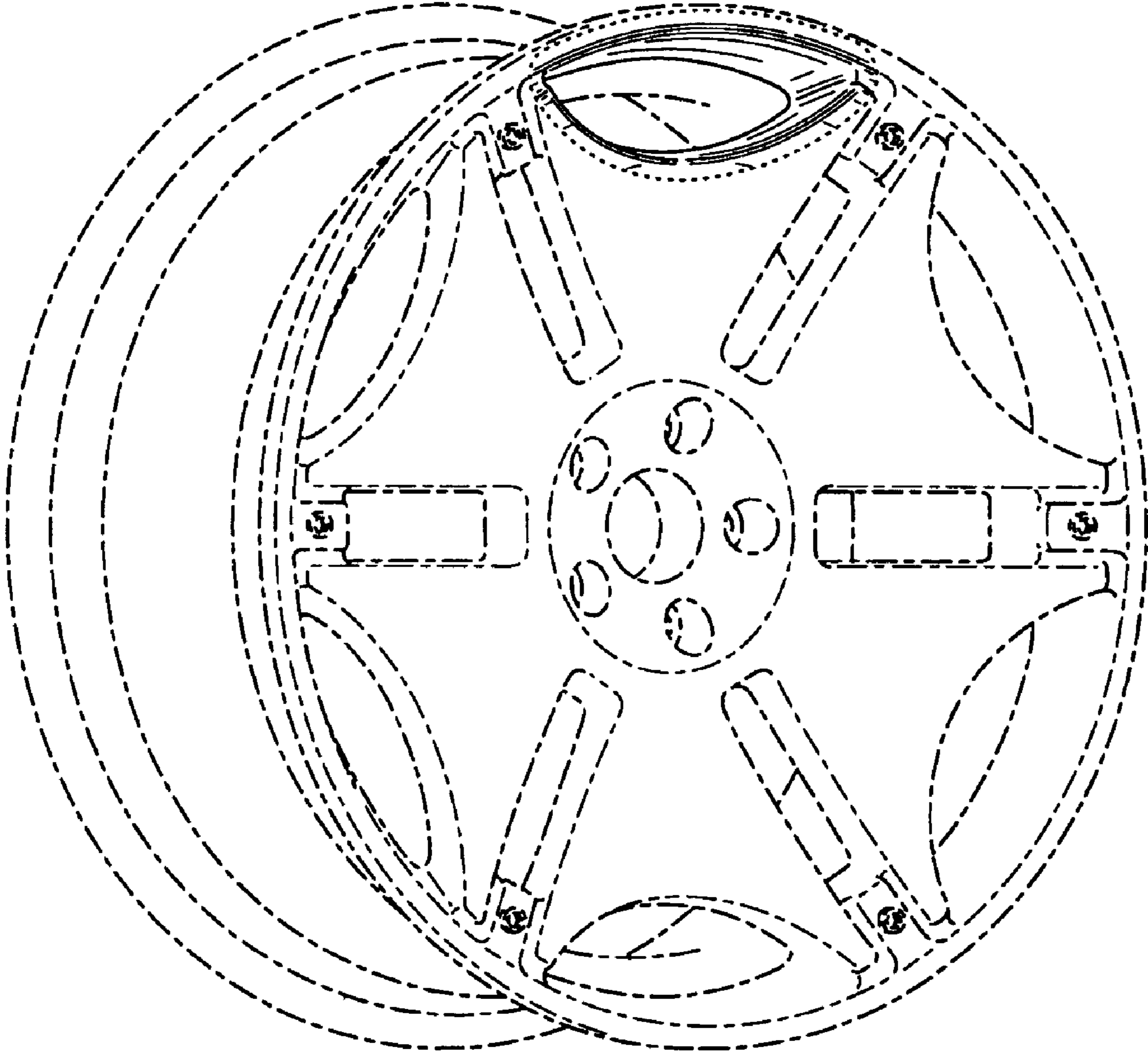


FIG. 2

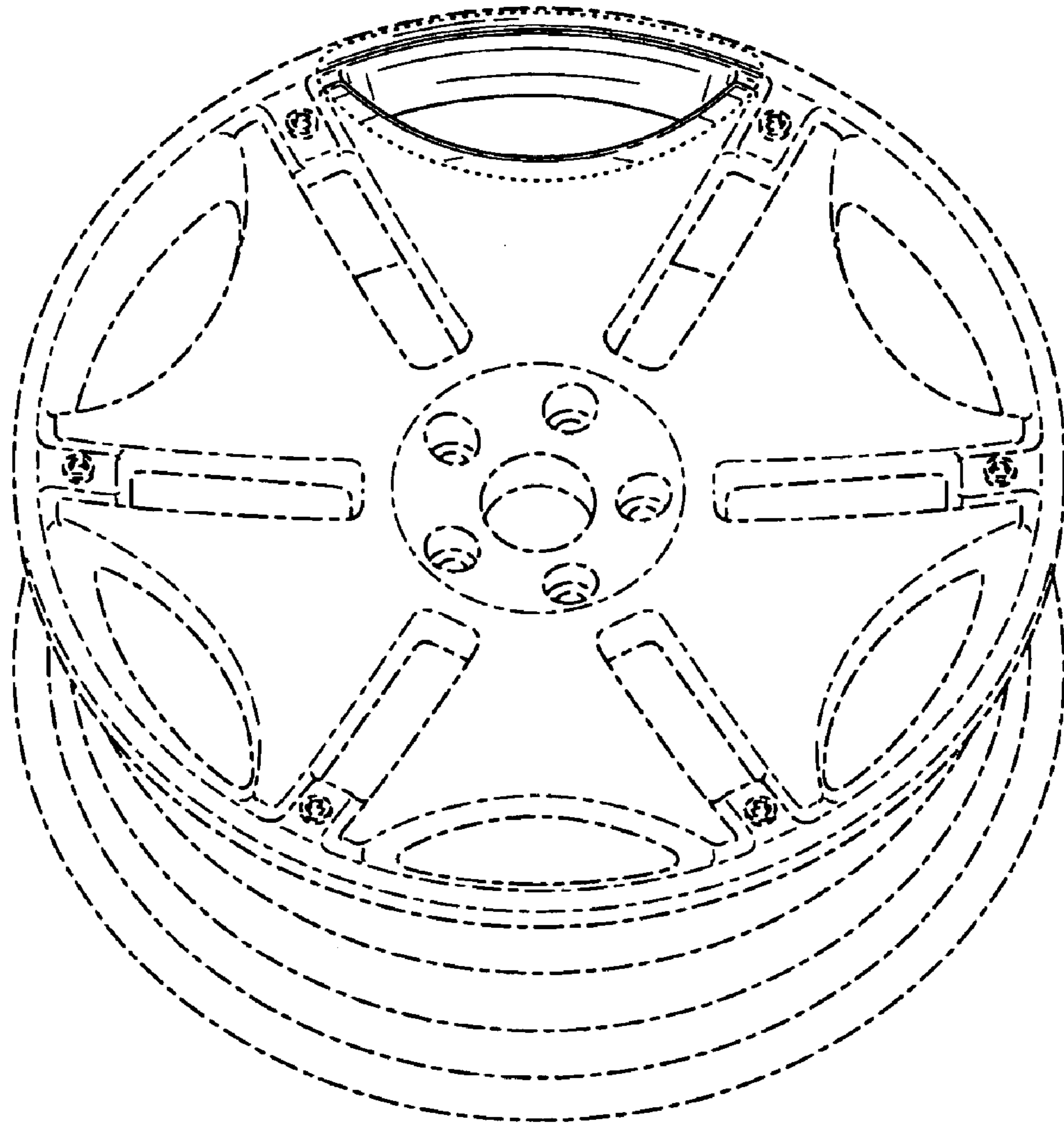


FIG. 3

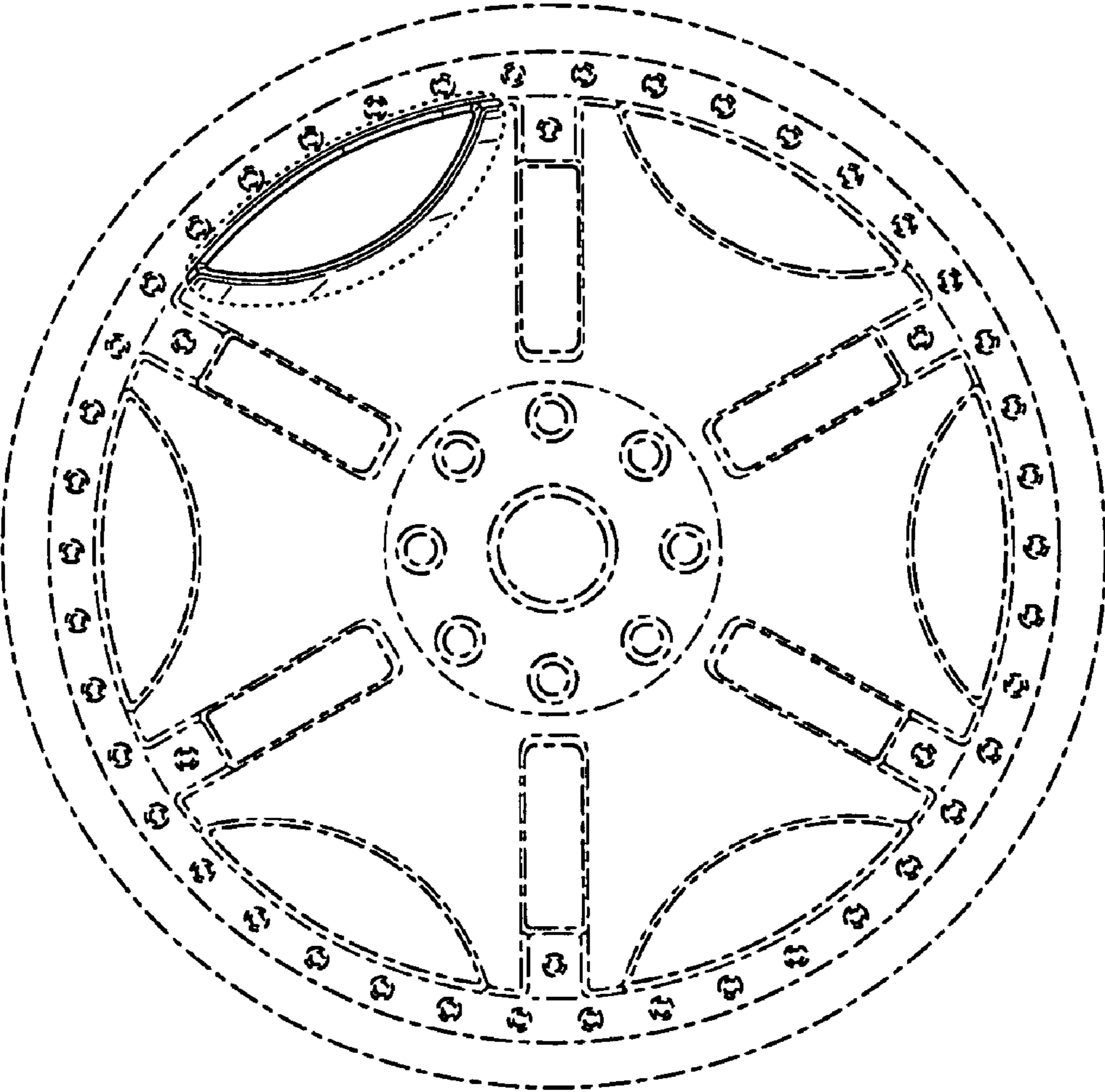


FIG. 4

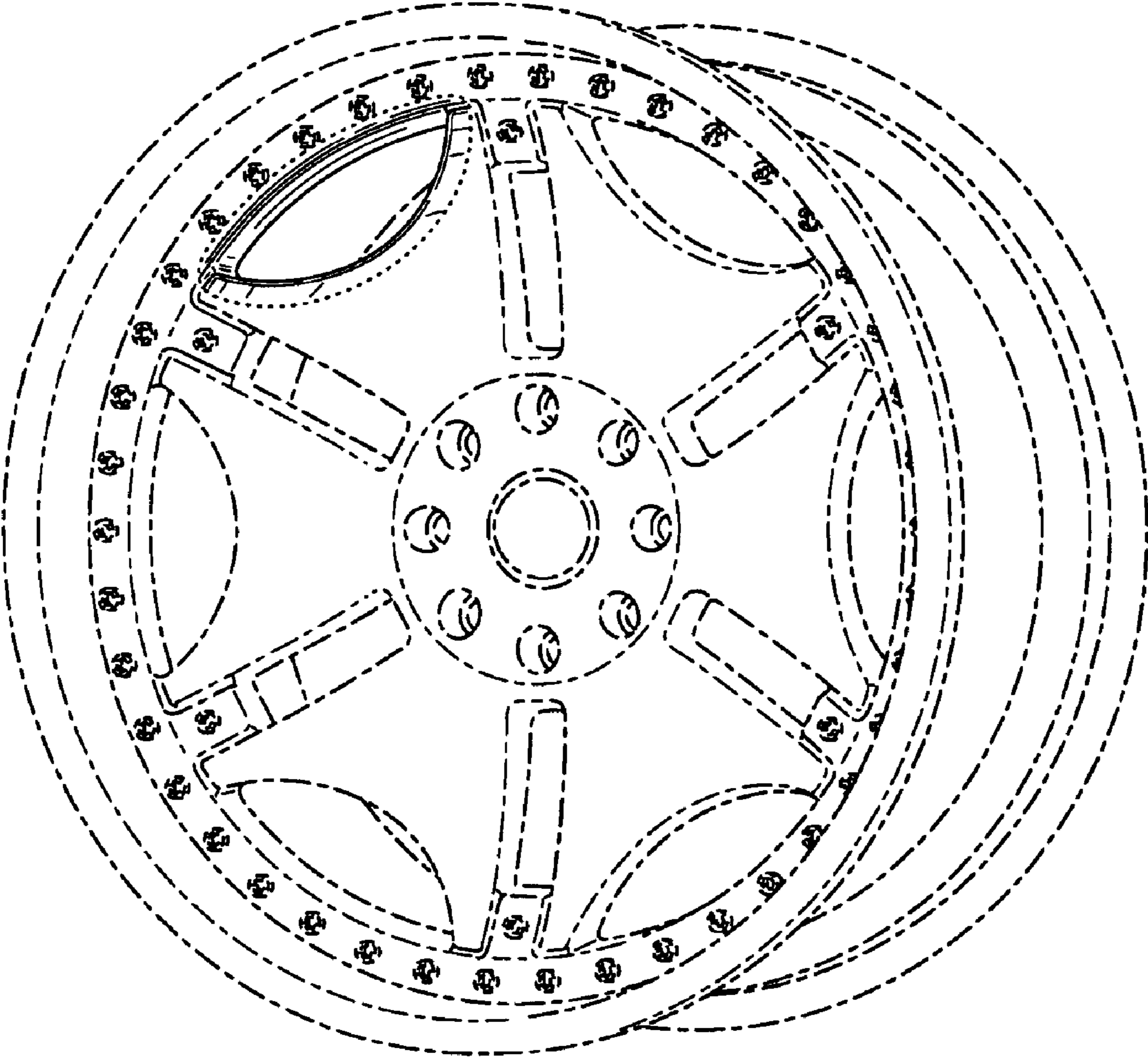


FIG. 5

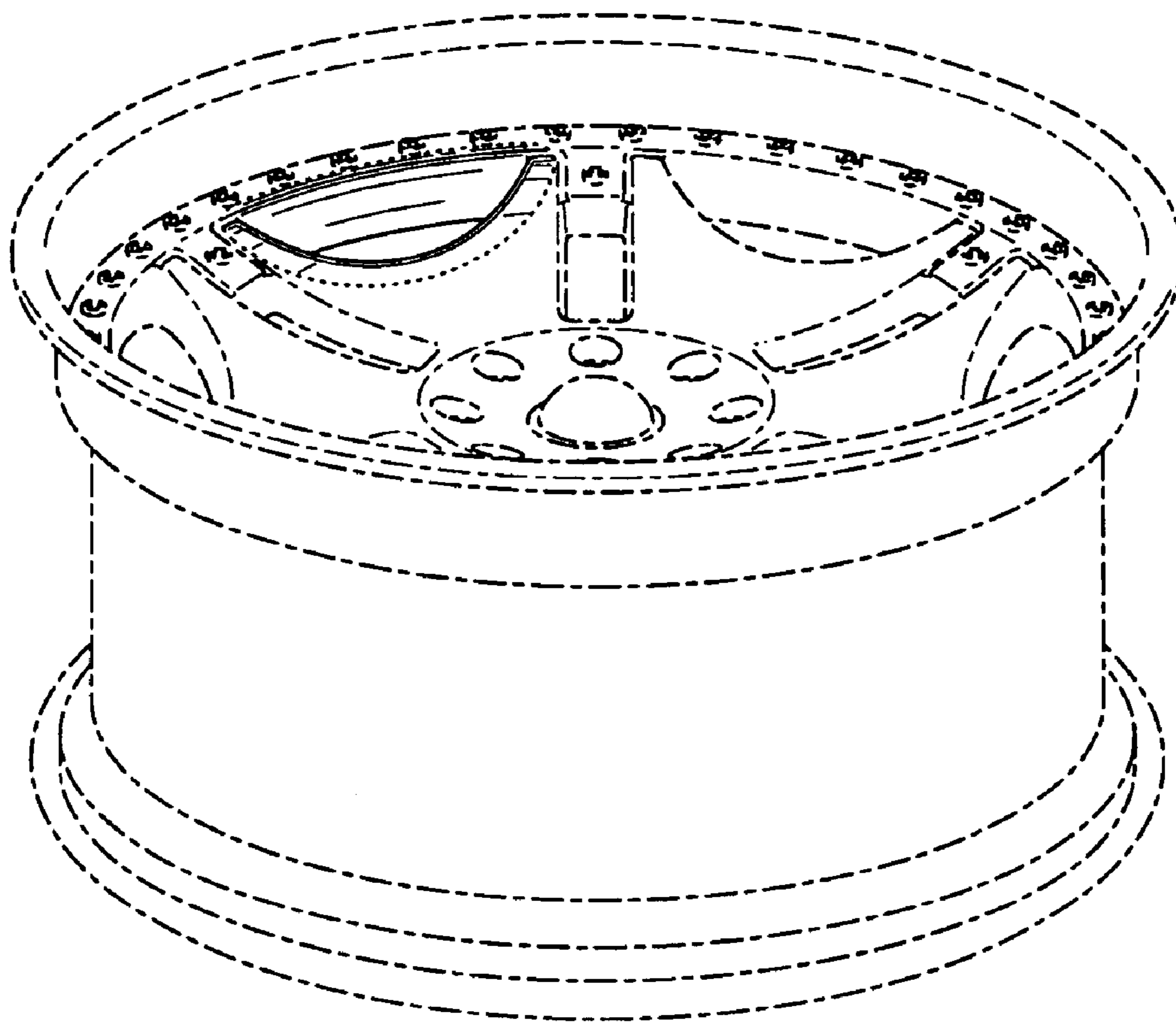


FIG. 6