



US00D528056S

(12) **United States Design Patent**
Lai

(10) **Patent No.:** **US D528,056 S**

(45) **Date of Patent:** **** Sep. 12, 2006**

(54) **SURFACE CONFIGURATION OF A FRONT PORTION OF A VEHICLE, TOY, AND/OR OTHER REPLICAS**

D493,759 S	*	8/2004	Pfeiffer	D12/196
D507,207 S	*	7/2005	Larson	D12/92
D507,510 S	*	7/2005	Larson	D12/92
D514,984 S	*	2/2006	Lai	D12/92
D515,461 S	*	2/2006	Lai	D12/92

(75) Inventor: **Pinky Lai**, Koenigsbach-Stein (DE)

* cited by examiner

(73) Assignee: **Dr. Ing. h.c.F. Porsche Aktiengesellschaft**, Stuttgart (DE)

Primary Examiner—Melody N. Brown

(**) Term: **14 Years**

(74) *Attorney, Agent, or Firm*—Crowell & Moring LLP

(21) Appl. No.: **29/237,726**

(22) Filed: **Sep. 7, 2005**

(57) **CLAIM**

The ornamental design for a surface configuration of a front portion of a vehicle, toy, and/or other replicas, as shown and described.

(30) **Foreign Application Priority Data**

DESCRIPTION

Mar. 8, 2005	(DE)	4 05 01 298
Mar. 8, 2005	(DE)	4 05 01 305
Mar. 8, 2005	(DE)	4 05 01 310
Mar. 8, 2005	(DE)	4 05 01 299

This application is related to the following co-pending applications, of the inventor, filed on even date herewith: Application Ser. No. 29/237,713, entitled "Surface Configuration of a Vehicle, Toy, and/or other Replicas"; and Application Ser. No. 29/237,753, entitled "Surface Configuration of a Front Light for a Vehicle".

(51) **LOC (8) Cl.** **12-16**

(52) **U.S. Cl.** **D12/196; D12/164**

(58) **Field of Classification Search** D12/90-92, D12/196, 169, 86, 164; 296/181.1, 181.5
See application file for complete search history.

FIG. 1 is a front view of a surface configuration of a front portion of a vehicle, toy, and/or other replicas according to my novel design;

FIG. 2 is left perspective view thereof, the right side view being mirror symmetrical; and,

FIG. 3 is a left side view thereof, the right side view being mirror symmetrical.

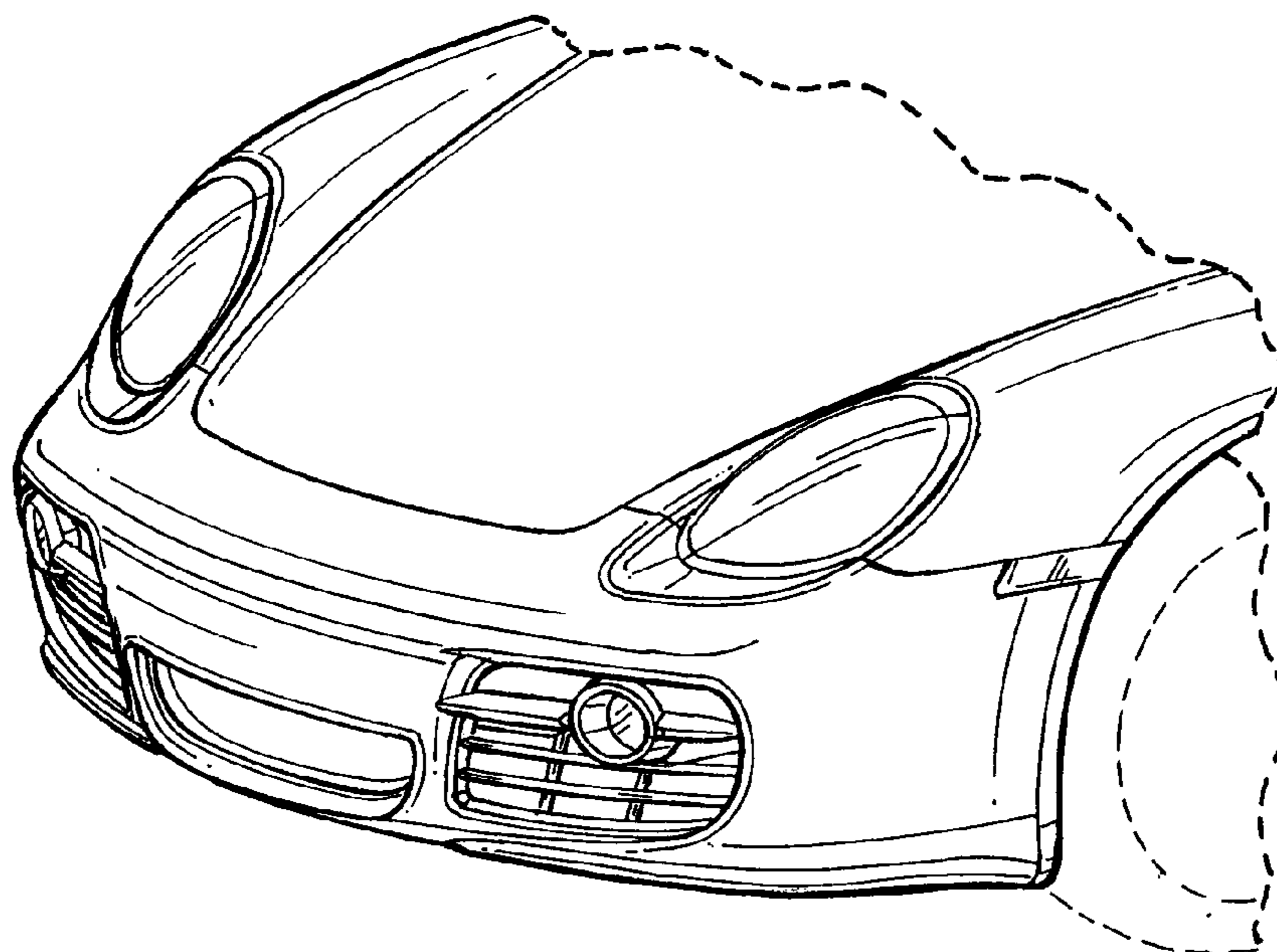
(56) **References Cited**

U.S. PATENT DOCUMENTS

D356,772 S	*	3/1995	Lagaay et al.	D12/196
D385,245 S	*	10/1997	Gallitzendoerfer et al.	D12/196
D395,847 S	*	7/1998	Sacco et al.	D12/92
D476,602 S	*	7/2003	Yanada et al.	D12/92
D479,492 S	*	9/2003	Gale et al.	D12/91

The broken lines are for illustrative purposes only and form no part of the claimed design.

1 Claim, 2 Drawing Sheets



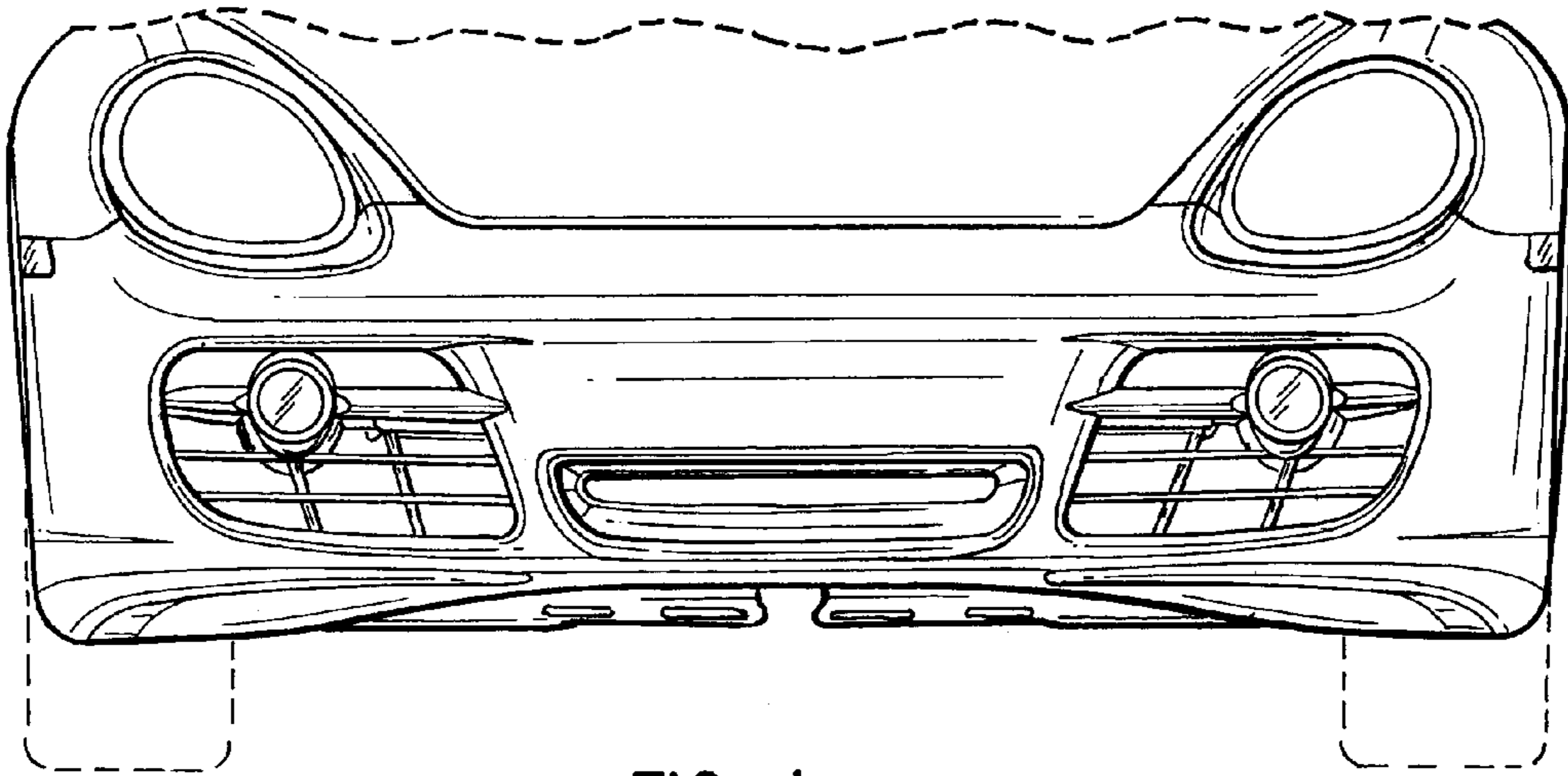


FIG. 1

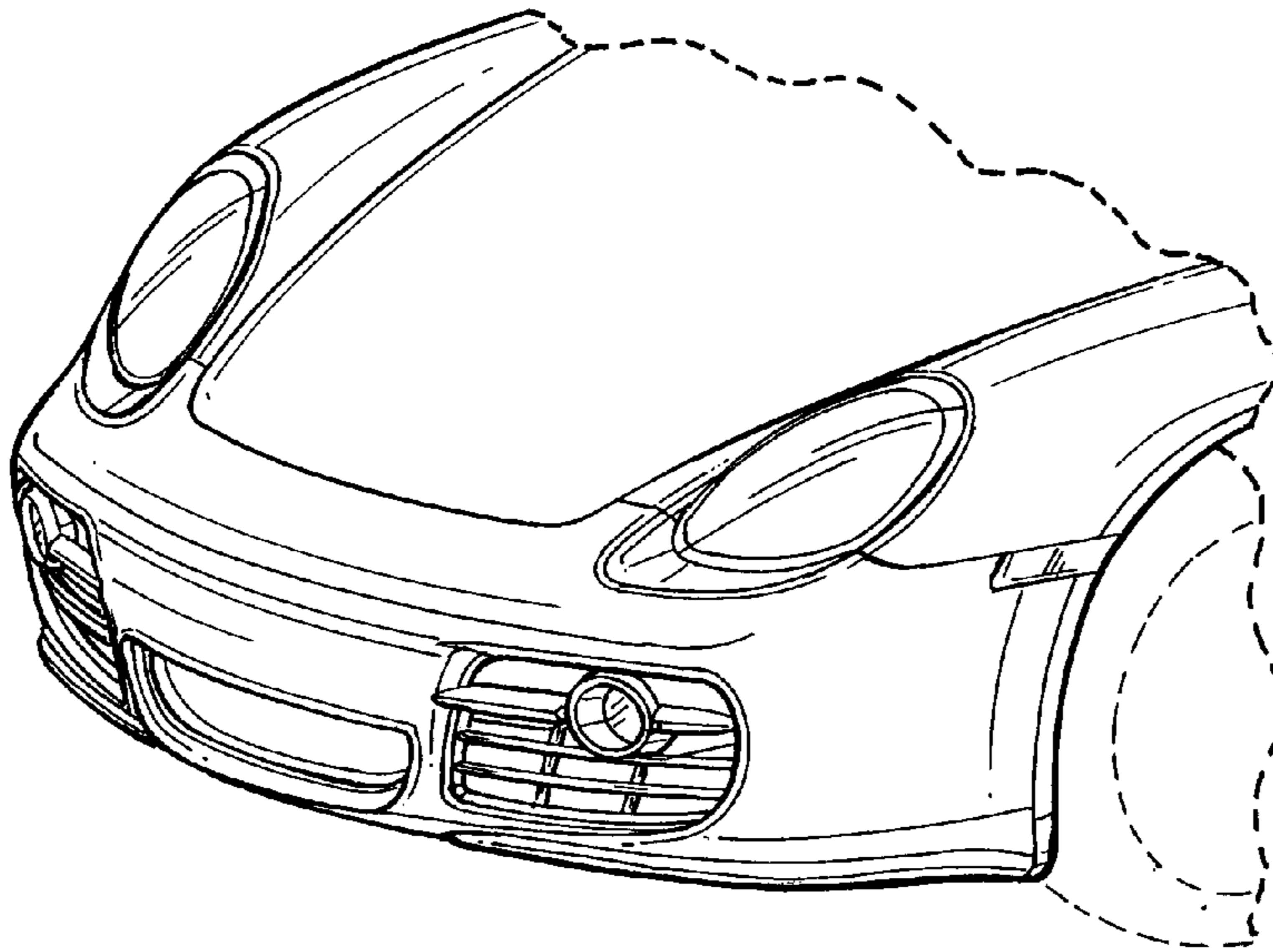


FIG. 2

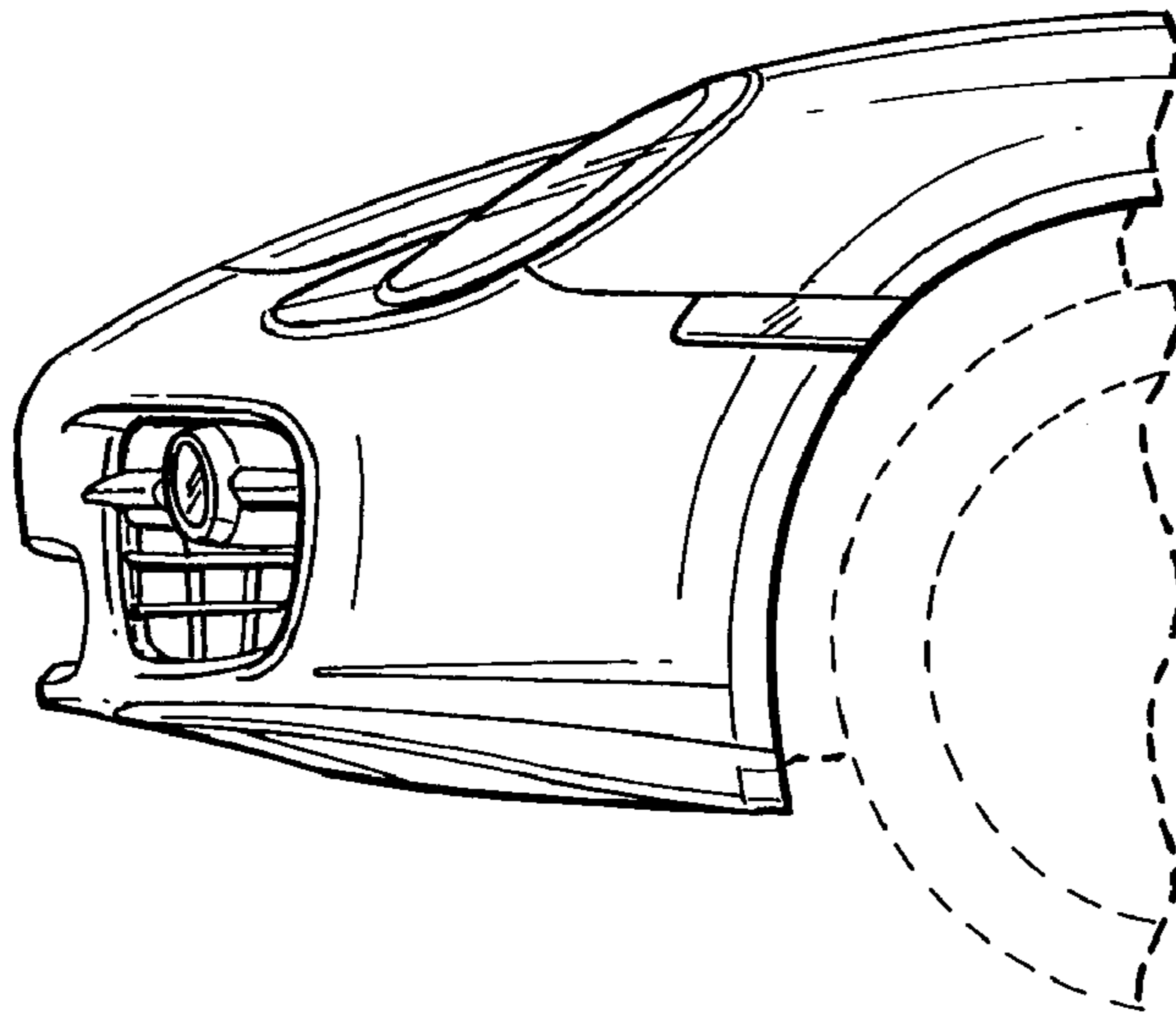


FIG. 3