



US00D528055S

(12) **United States Design Patent**  
**Komiya et al.**

(10) **Patent No.:** **US D528,055 S**

(45) **Date of Patent:** **\*\* Sep. 12, 2006**

(54) **METER PANEL OF TWO-WHEELED MOTOR VEHICLES**

(75) Inventors: **Koji Komiya**, Wako (JP); **Masato Nagata**, Wako (JP)

(73) Assignee: **Honda Motor Co., Ltd.**, Tokyo (JP)

(\*\*) Term: **14 Years**

(21) Appl. No.: **29/218,454**

(22) Filed: **Dec. 3, 2004**

(30) **Foreign Application Priority Data**

Jun. 7, 2004 (JP) ..... 2004-016768

(51) **LOC (8) Cl.** ..... **12-16**

(52) **U.S. Cl.** ..... **D12/192**

(58) **Field of Classification Search** ..... D12/110,  
D12/114, 126, 190, 192; D10/98, 102, 122-126;  
180/90, 219; 280/261.1, 288.1-288.4, 304.3;  
73/431, 493, 489, 866.3; 235/95 R; 116/62.1,  
116/62.4, 300, 280; 296/70

See application file for complete search history.

(56) **References Cited**

**U.S. PATENT DOCUMENTS**

D444,419 S 7/2001 Kamata et al.  
D470,090 S \* 2/2003 Sawabe ..... D12/192

\* cited by examiner

*Primary Examiner*—Alan P. Douglas  
*Assistant Examiner*—Linda Brooks  
(74) *Attorney, Agent, or Firm*—Arent Fox PLLC

(57) **CLAIM**

The ornamental design for a meter panel of two-wheeled motor vehicles, as shown and described.

**DESCRIPTION**

FIG. 1 is a front view of a meter panel of two-wheeled motor vehicles showing our new design.

FIG. 2 is a rear view thereof;

FIG. 3 is a plan view thereof;

FIG. 4 is a bottom view thereof;

FIG. 5 is a right side view thereof;

FIG. 6 is a left side view thereof;

FIG. 7 is a perspective view thereof as seen from the right front side;

FIG. 8 is a perspective view thereof as seen from the left front side;

FIG. 9 is a perspective view thereof as seen from the left rear side; and,

FIG. 10 is a perspective view thereof as seen from the right rear side.

The broken lines immediately adjacent the shaded areas represent the boundaries of the claimed design and form no part thereof, while the other broken lines show environment and form no part of the claimed design.

**1 Claim, 5 Drawing Sheets**

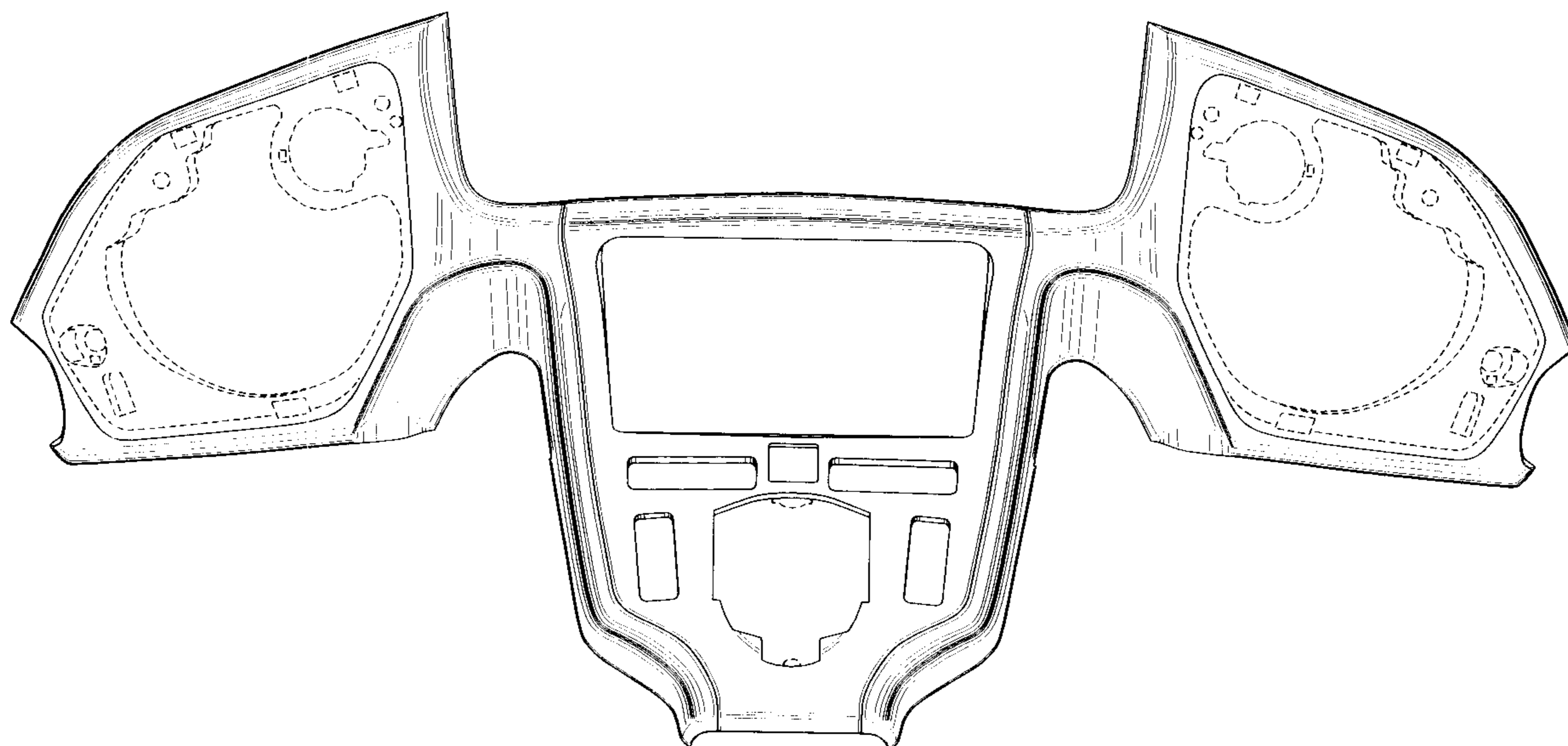


FIG.1

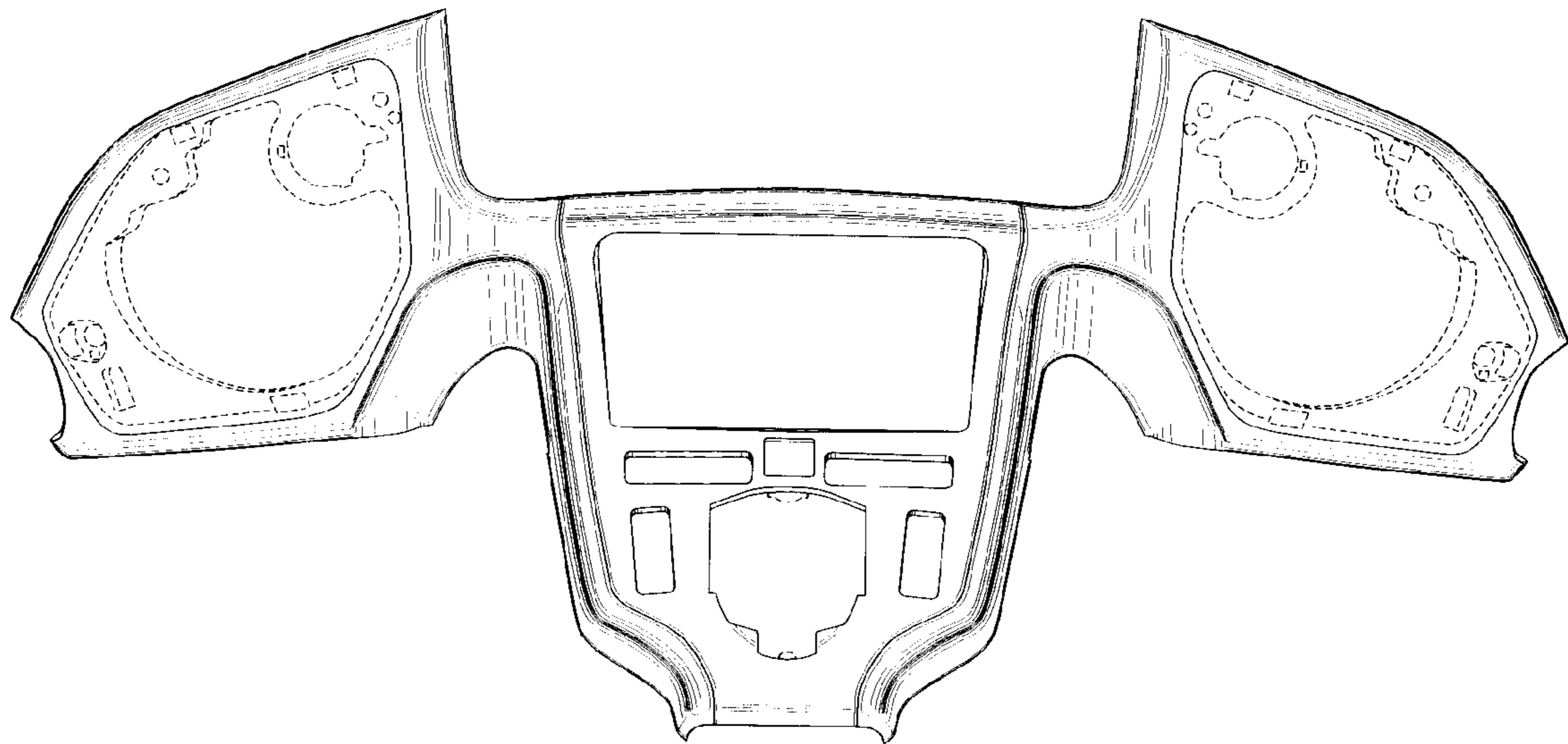


FIG.2

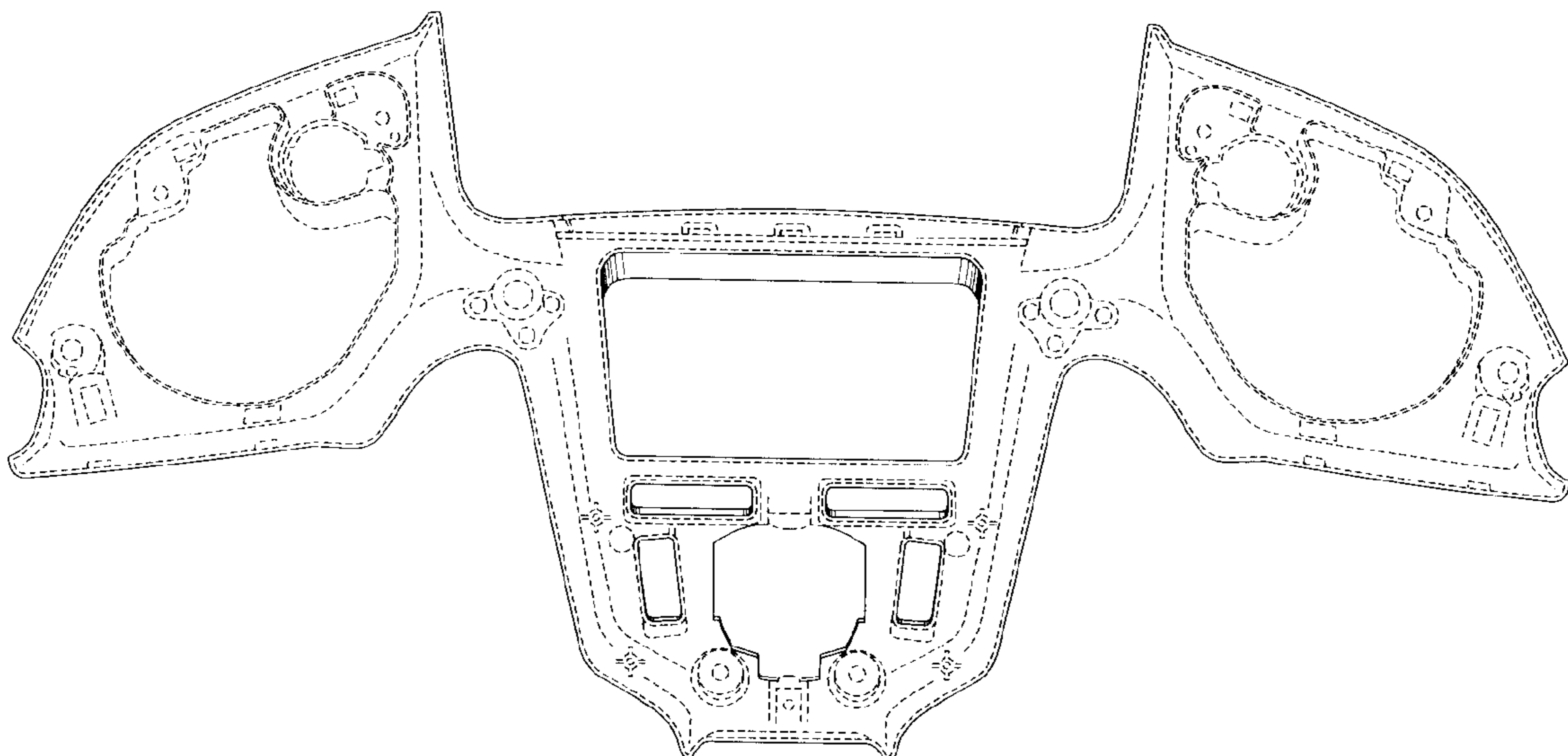


FIG.3

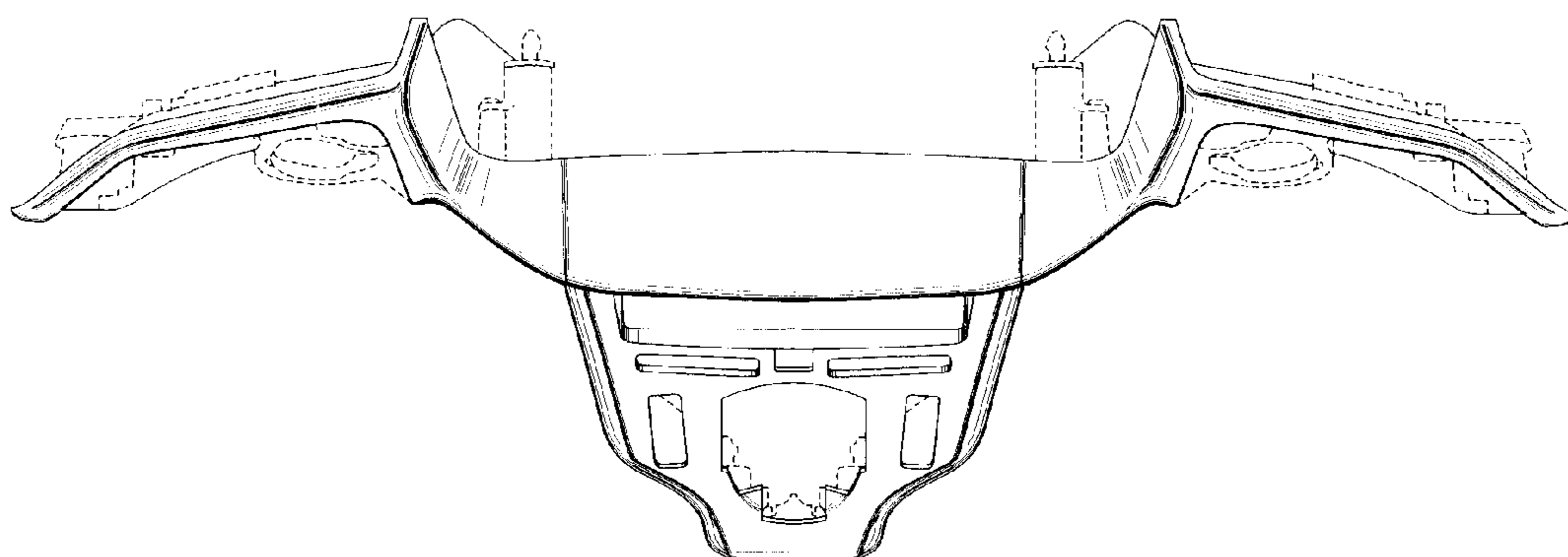


FIG.4

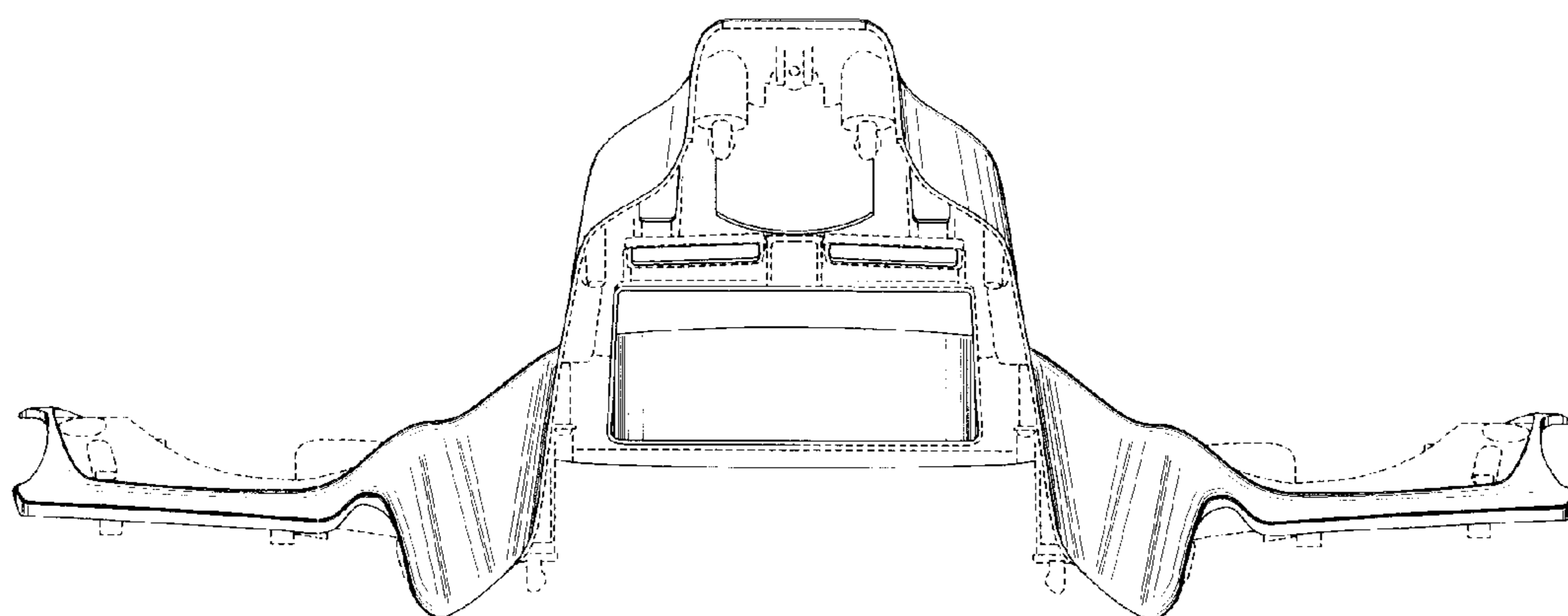


FIG.5

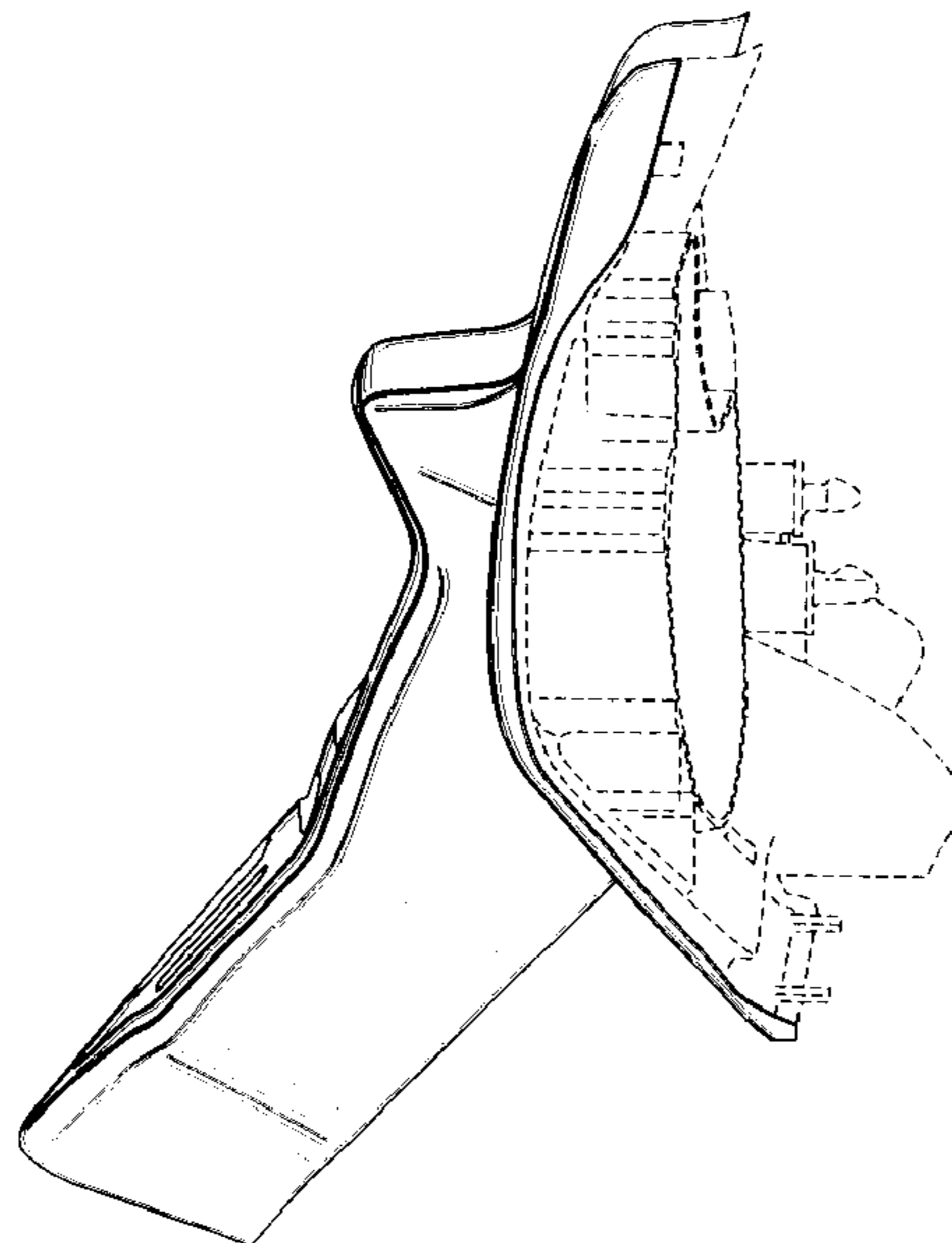


FIG.6

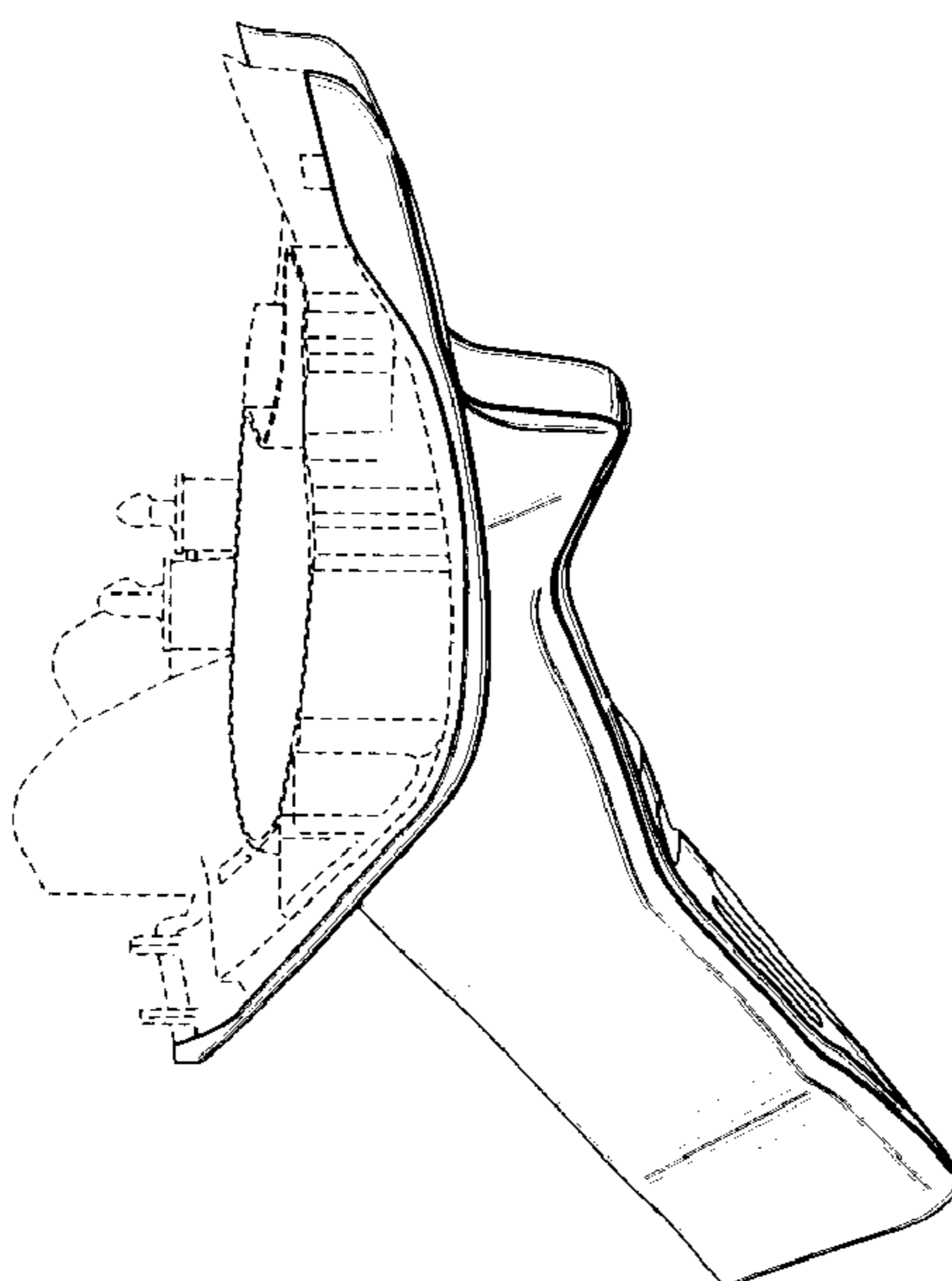




FIG.7

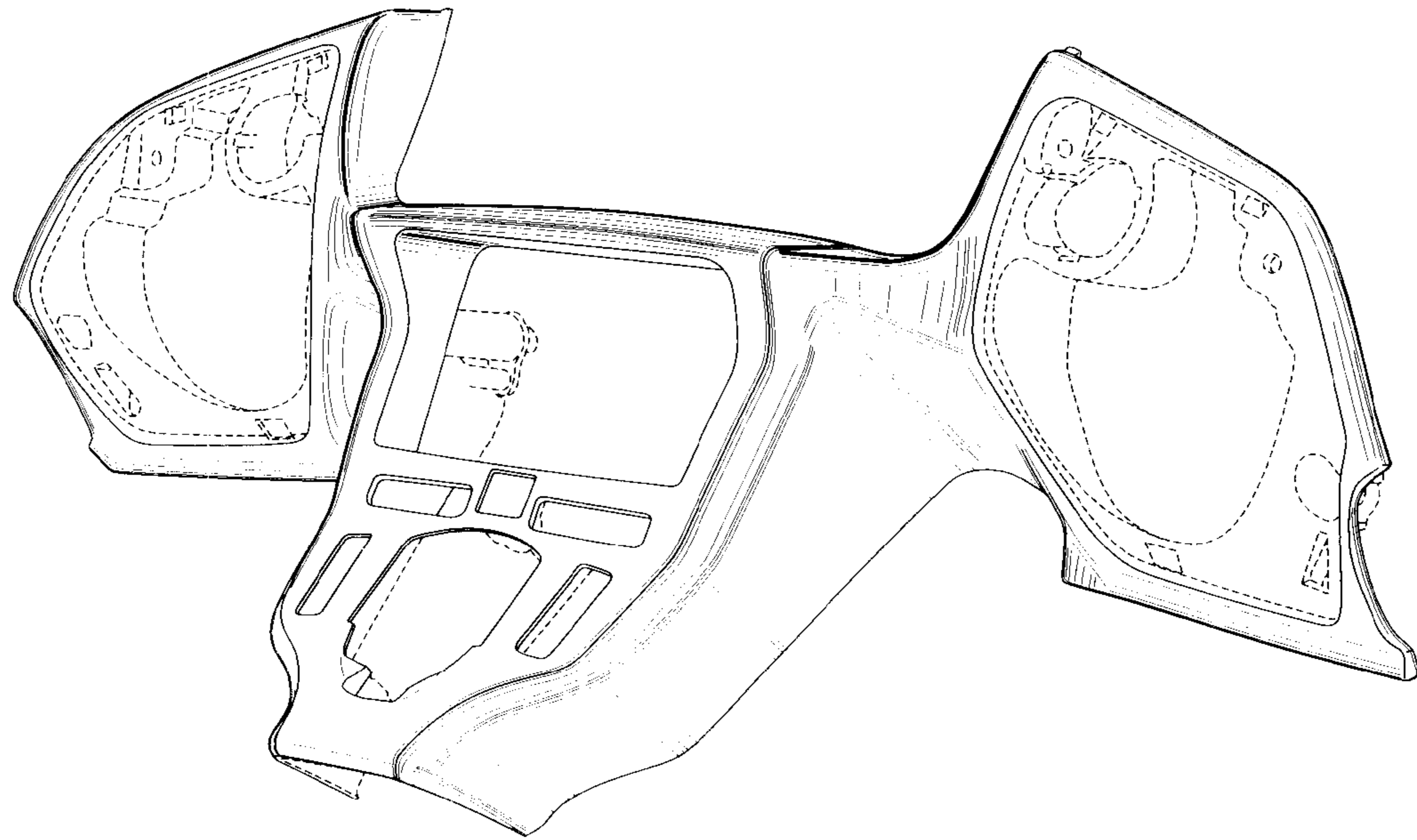


FIG.8

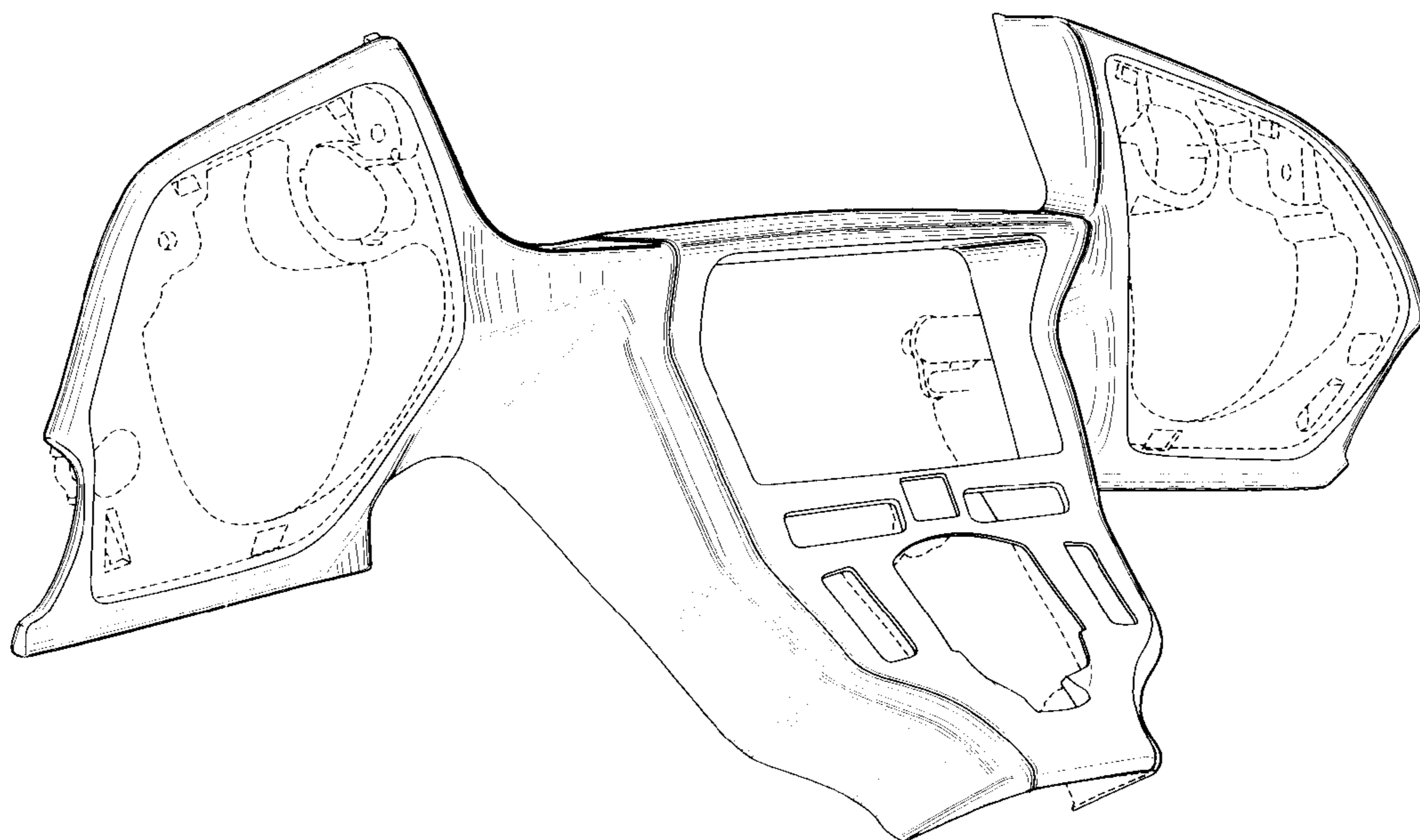


FIG.9

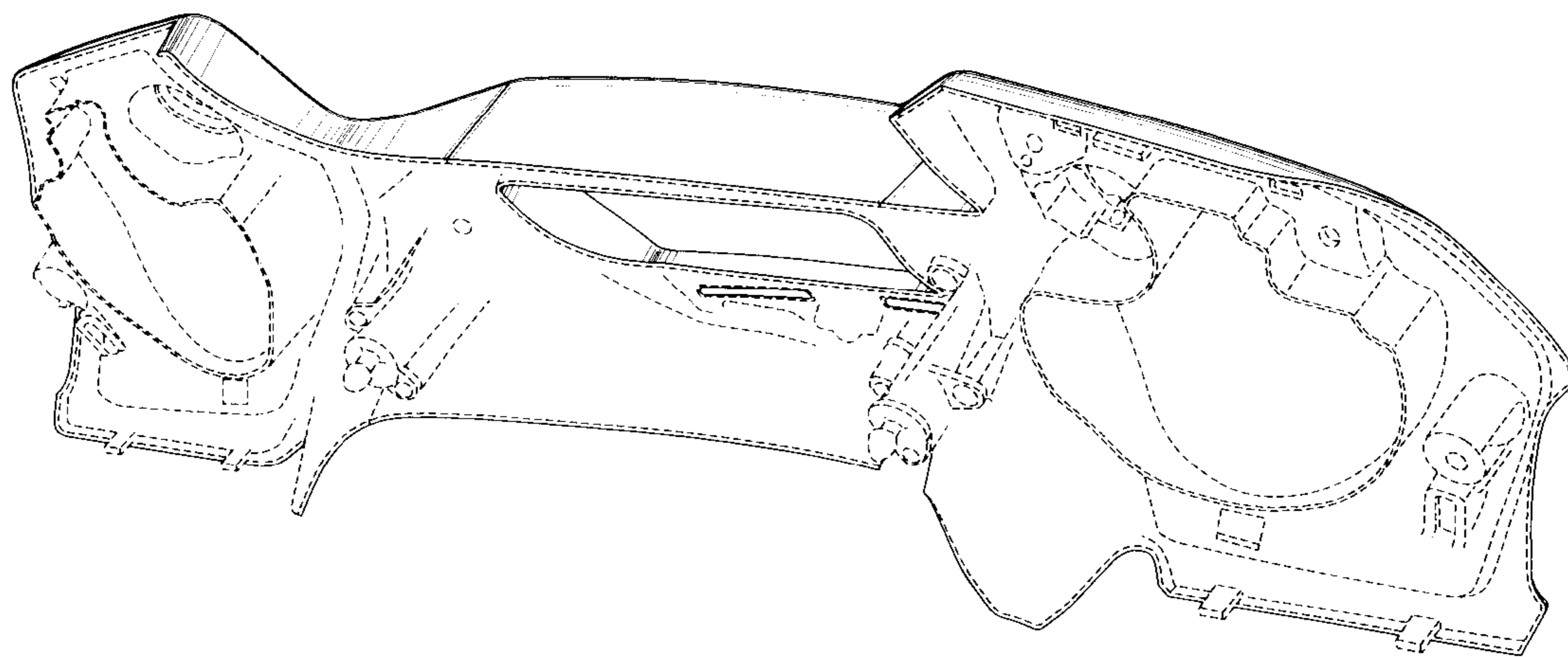


FIG.10

