



US00D528054S

(12) **United States Design Patent**  
**Beigel et al.**

(10) **Patent No.:** **US D528,054 S**

(45) **Date of Patent:** **\*\* Sep. 12, 2006**

(54) **SUNSHADE COVER OF A TRUCK VEHICLE**

(75) Inventors: **David J. Beigel**, Payne, OH (US);  
**Larry N. Reynard**, Fort Wayne, IN (US)

(73) Assignee: **International Truck and Engine Corporation Canada**, Warrenville, IL (US)

(\*\*) Term: **14 Years**

(21) Appl. No.: **29/240,420**

(22) Filed: **Oct. 11, 2005**

(51) **LOC (8) Cl.** ..... **12-16**

(52) **U.S. Cl.** ..... **D12/191**

(58) **Field of Classification Search** ..... D12/191,  
D12/181, 96-98, 196; 296/95.1, 180.1-180.4,  
296/97.1-97.12; 160/370.21, 371, DIG. 3,  
160/370.22-370.23

See application file for complete search history.

(56) **References Cited**

**U.S. PATENT DOCUMENTS**

D273,672 S \* 5/1984 Lund ..... D12/191  
D299,713 S \* 2/1989 Dunham ..... D12/191  
D312,238 S \* 11/1990 Lund ..... D12/191  
D348,295 S \* 6/1994 Artman ..... D12/191

D384,019 S \* 9/1997 Meryman et al. .... D12/191  
5,669,697 A \* 9/1997 Angelo et al. .... 296/95.1  
D403,999 S \* 1/1999 Lund ..... D12/191  
D409,541 S \* 5/1999 Sproull et al. .... D12/191  
D413,846 S \* 9/1999 Lund ..... D12/191  
D414,150 S \* 9/1999 Sutton et al. .... D12/181  
D442,901 S \* 5/2001 Conway et al. .... D12/191  
6,530,620 B1 \* 3/2003 Turney et al. .... 296/180.2  
D478,538 S \* 8/2003 Iverson et al. .... D12/191

\* cited by examiner

*Primary Examiner*—Stacia Cadmus

(74) *Attorney, Agent, or Firm*—Jeffrey P. Calfa; Gerald W. Askew; Dennis Kelly Sullivan

(57) **CLAIM**

The ornamental design for a sunshade cover of a truck vehicle, as shown and described.

**DESCRIPTION**

FIG. 1 is a left, front perspective view of a sunshade cover showing our new design;

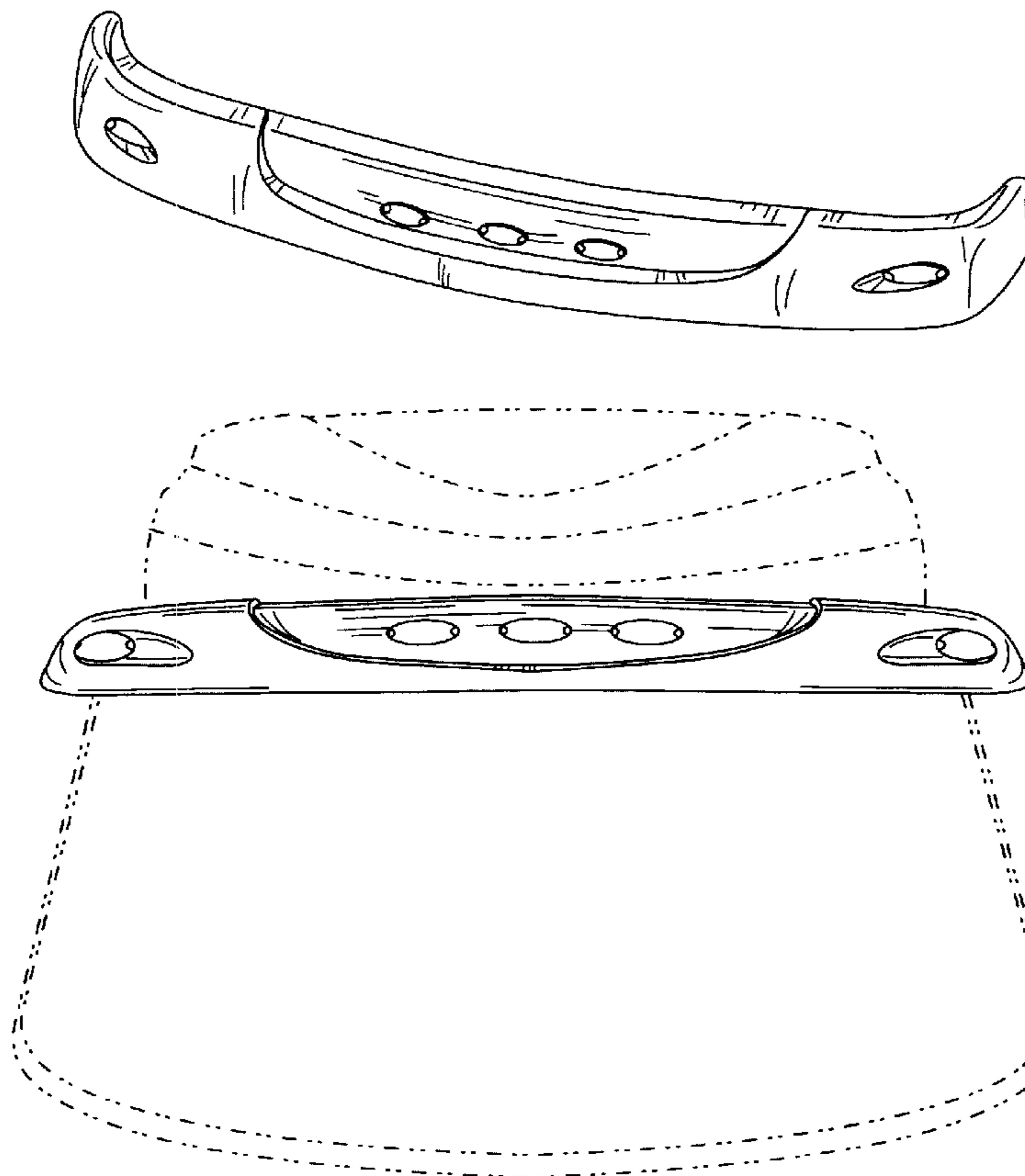
FIG. 2 is a front view thereof, it may be understood that the broken lines are for illustrative purposes only and form no part of the claimed design;

FIG. 3 is a top down view thereof;

FIG. 4 is a right view thereof; and,

FIG. 5 is a left view thereof.

**1 Claim, 2 Drawing Sheets**



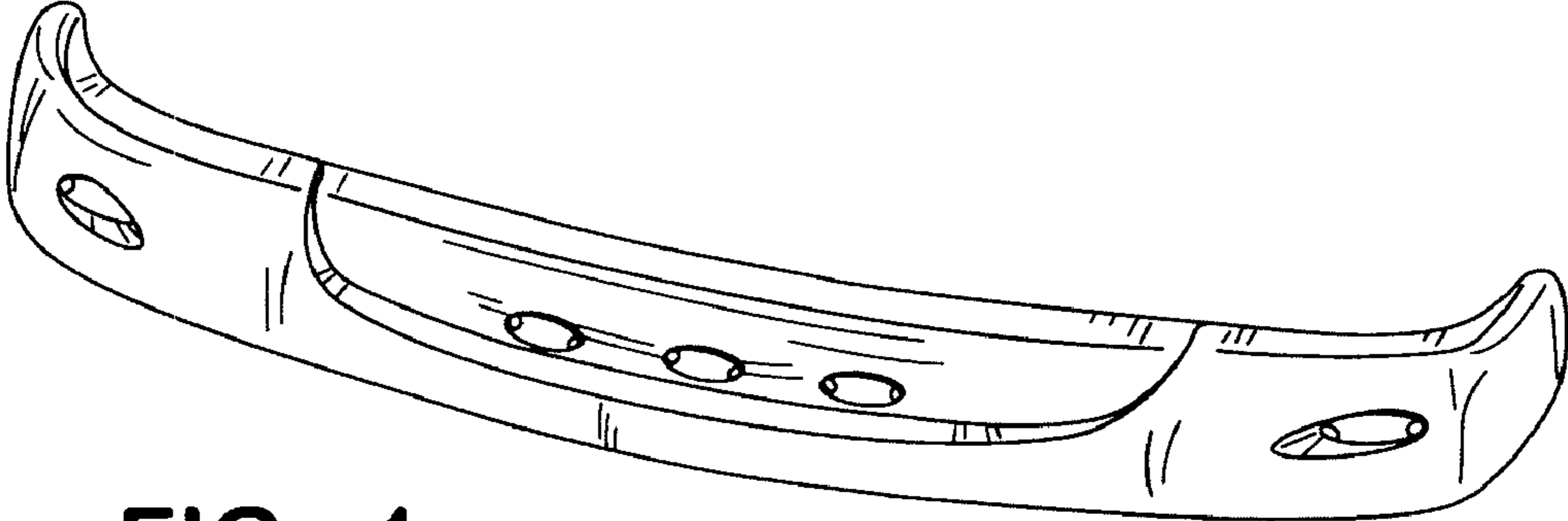


FIG. 1

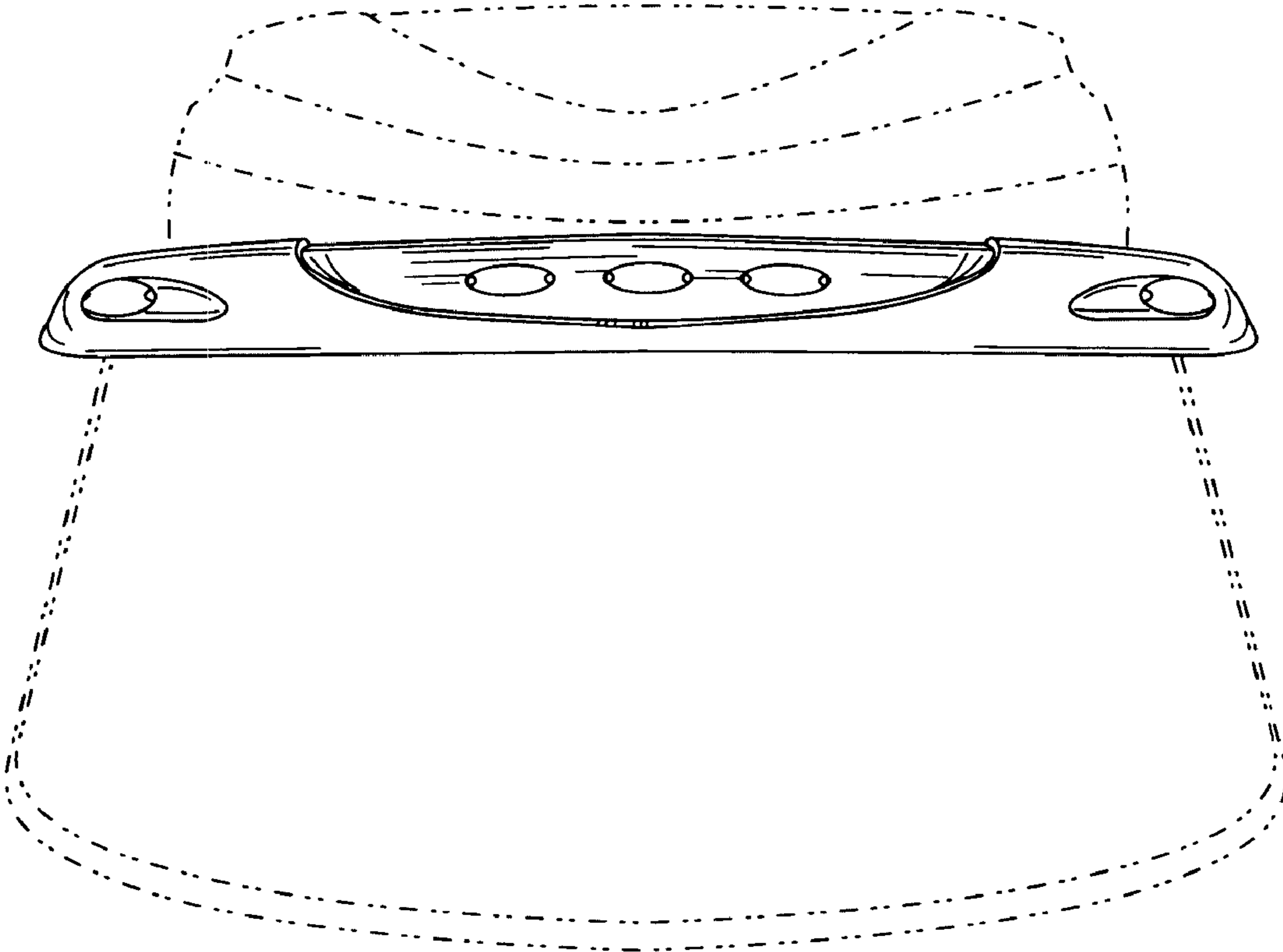


FIG. 2

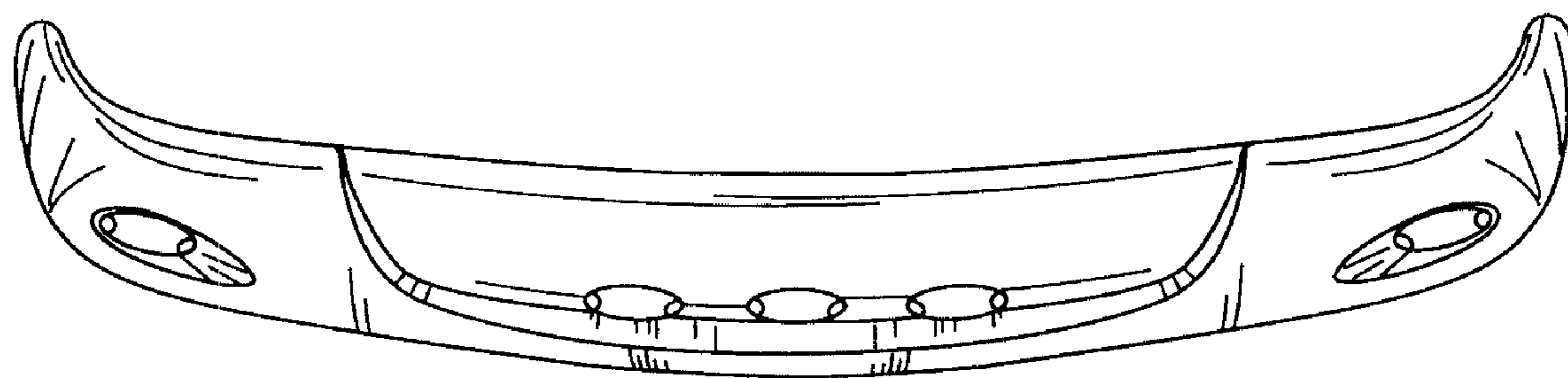


FIG. 3



FIG. 4



FIG. 5