



US00D528052S

(12) **United States Design Patent**  
**Tserounian**

(10) **Patent No.:** **US D528,052 S**

(45) **Date of Patent:** **\*\* Sep. 12, 2006**

(54) **MANUAL TINTING UNIT**

(76) **Inventor:** **Vartan Tserounian**, 1014 N. Sierra  
Bonita Ave., West Hollywood, CA (US)  
90046

(\*\*) **Term:** **14 Years**

(21) **Appl. No.:** **29/214,871**

(22) **Filed:** **Oct. 12, 2004**

(51) **LOC (8) Cl.** ..... **12-16**

(52) **U.S. Cl.** ..... **D12/182**

(58) **Field of Classification Search** ..... D12/182,  
D12/183; 296/84.1, 96.19, 96.21, 97.1, 97.2,  
296/97.5, 95.1; 362/235-240, 307-311  
See application file for complete search history.

(56) **References Cited**

**U.S. PATENT DOCUMENTS**

- 4,966,404 A \* 10/1990 Lund ..... 296/95.1
- 5,130,906 A \* 7/1992 Lund ..... 362/485
- D373,982 S 9/1996 Rodrigues
- 6,076,577 A \* 6/2000 Ontaneda ..... 150/168

- 6,241,303 B1 \* 6/2001 Yee ..... 296/95.1
- 6,241,304 B1 \* 6/2001 Frost ..... 296/96.21
- D453,130 S \* 1/2002 Armstrong ..... D12/182
- D470,805 S \* 2/2003 Criger ..... D12/182

\* cited by examiner

*Primary Examiner*—Melody N. Brown

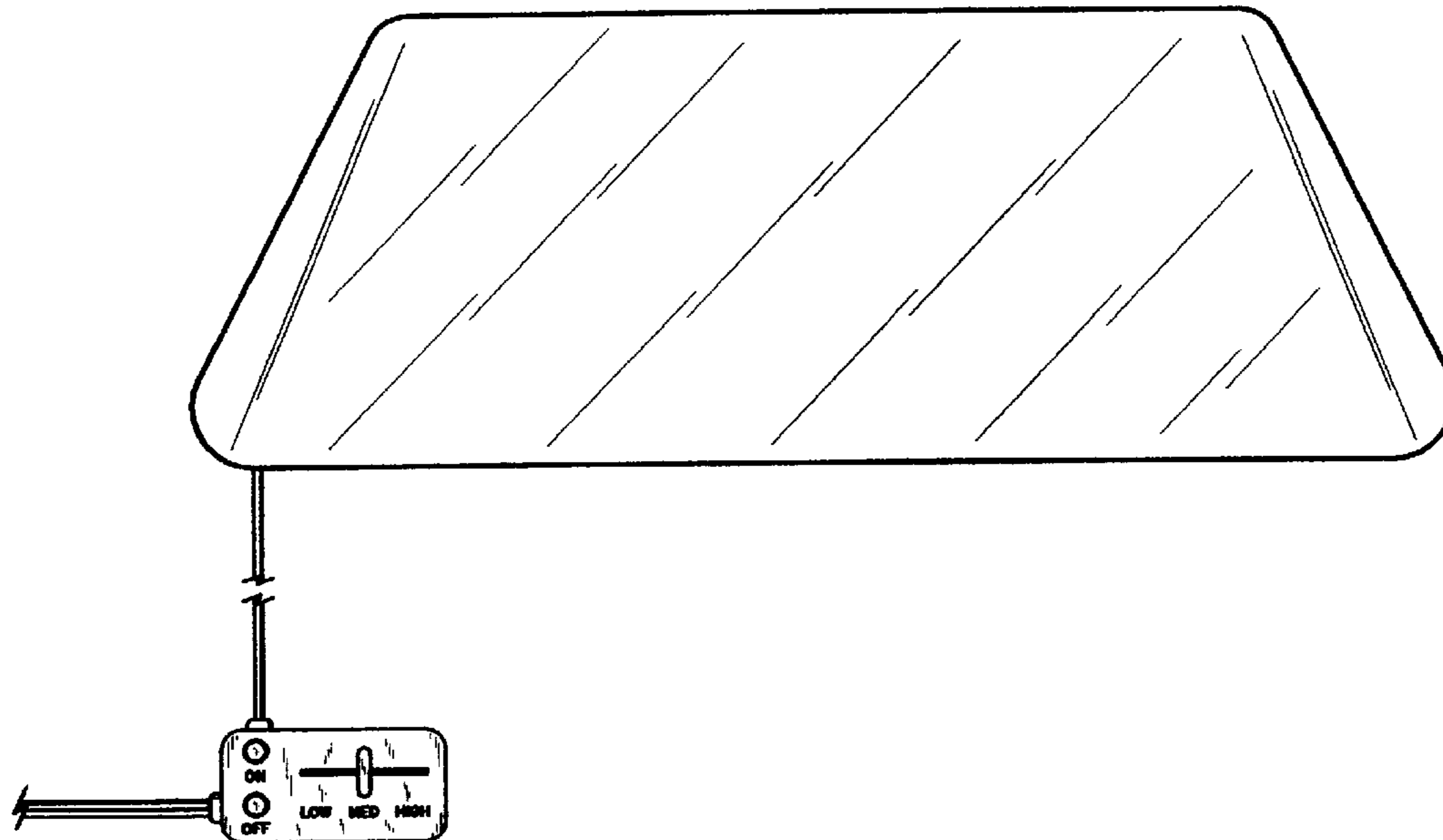
(57) **CLAIM**

The ornamental design for a manual tinting unit, as shown and described.

**DESCRIPTION**

FIG. 1 is a front view of a manual tinting unit showing my new design;  
 FIG. 2 is a rear view of my invention;  
 FIG. 3 is a top view of FIG. 1;  
 FIG. 4 is a bottom view of FIG. 1;  
 FIG. 5 is a left side view;  
 FIG. 6 is a right side view of FIG. 1; and,  
 FIG. 7 is a front perspective view of a manual tinting unit showing my new design.

**1 Claim, 3 Drawing Sheets**



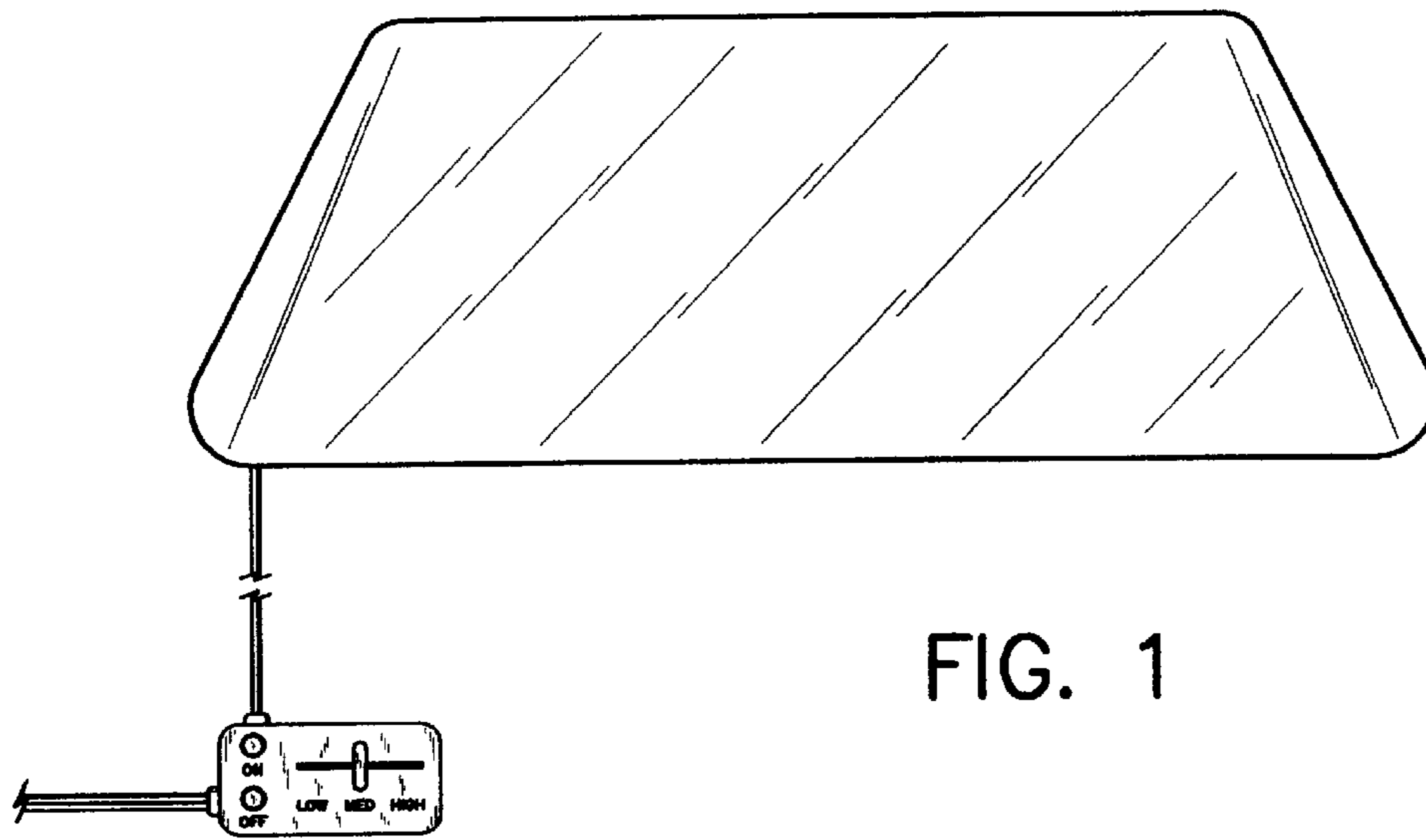


FIG. 1

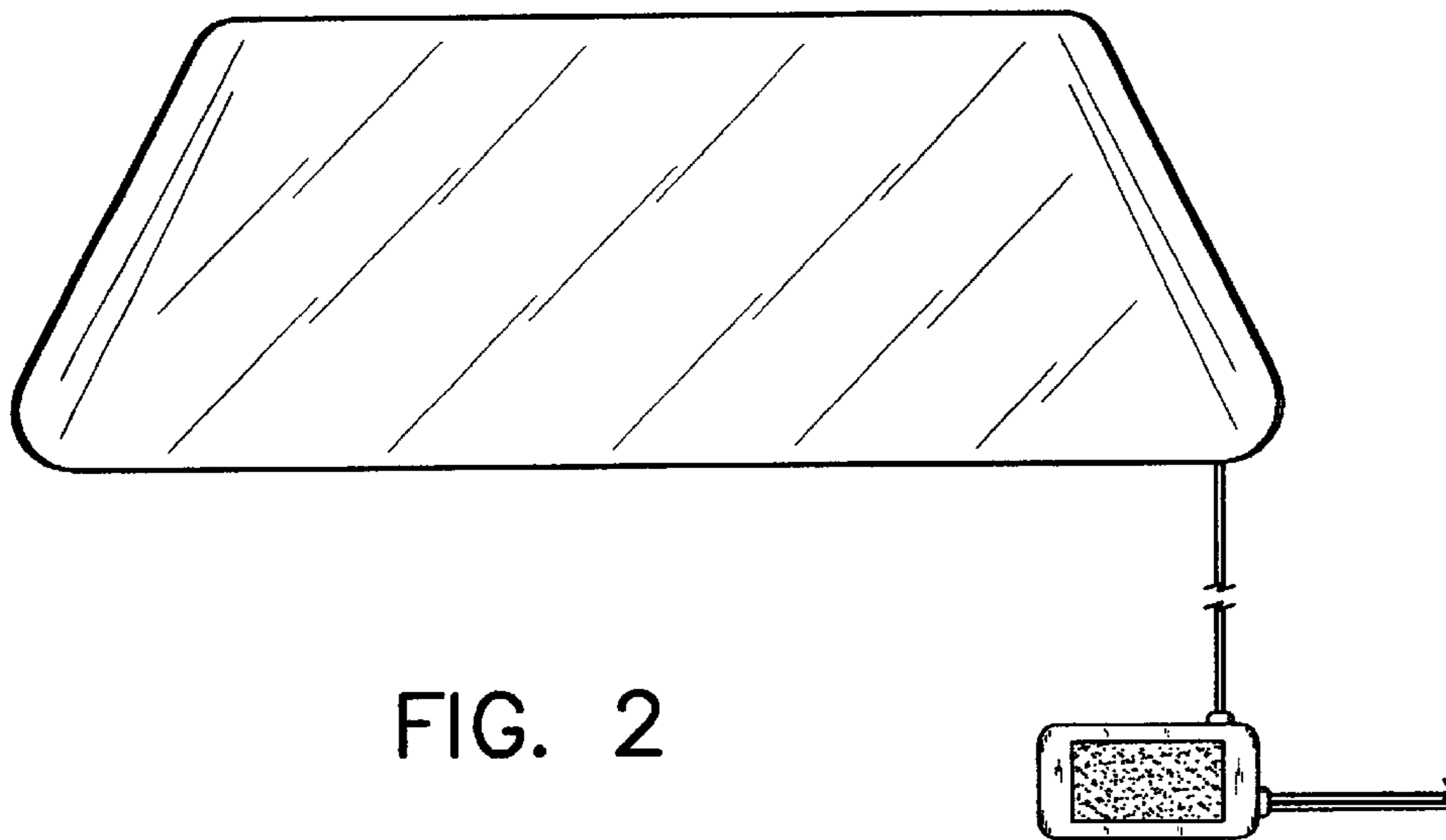


FIG. 2

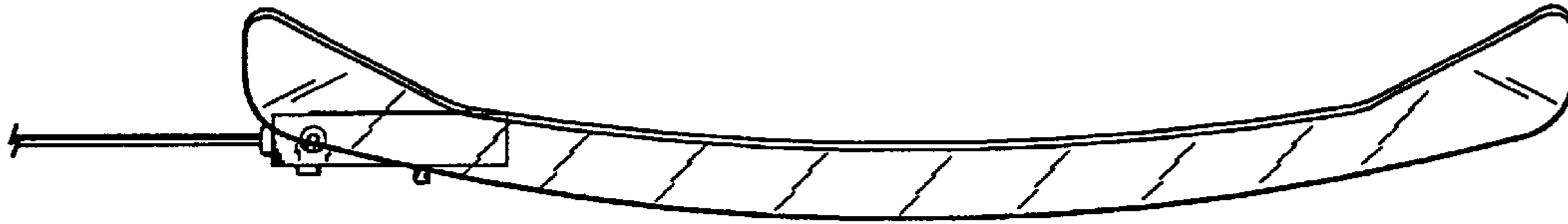


FIG. 3



FIG. 4

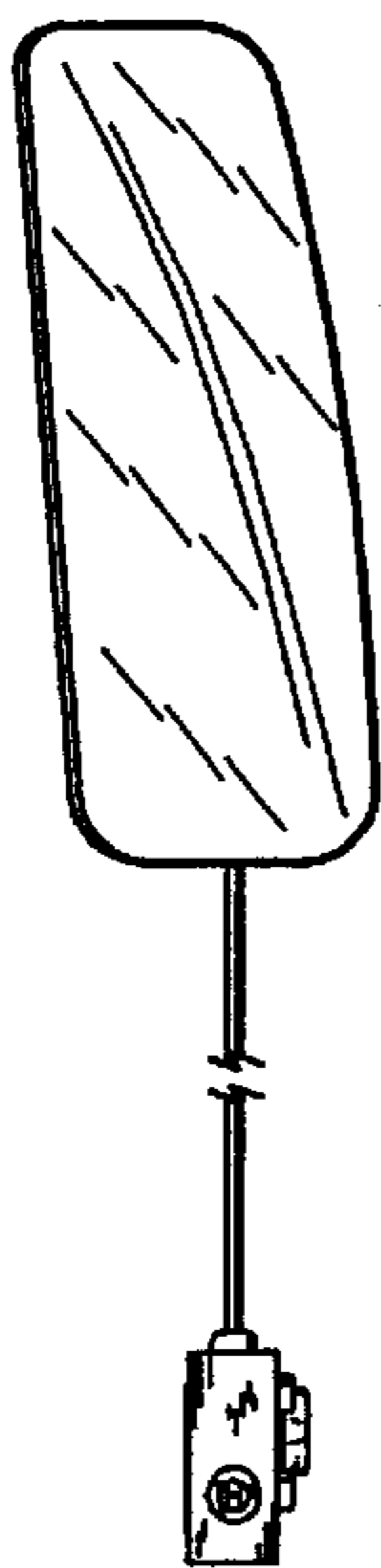


FIG. 5

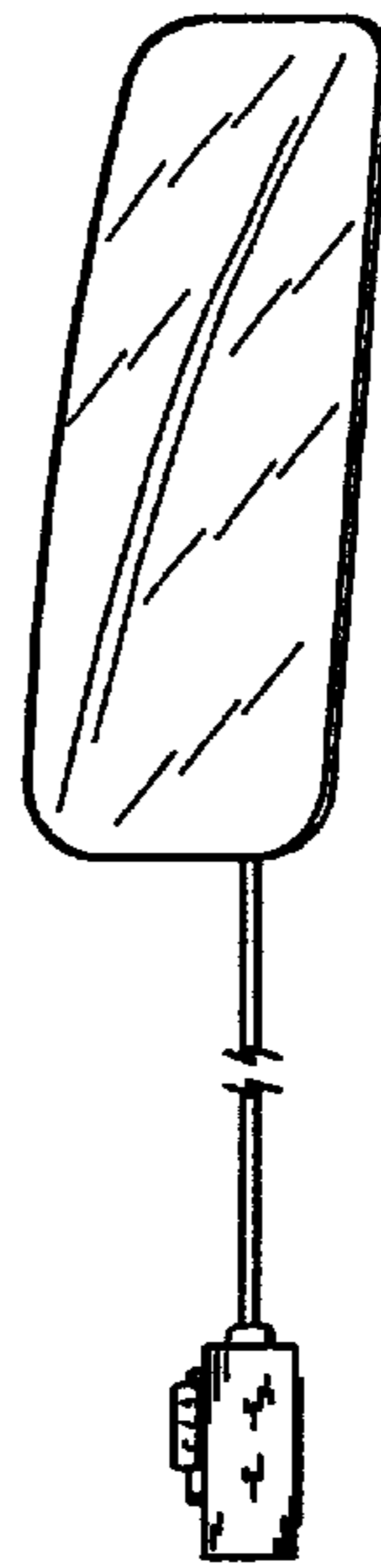


FIG. 6

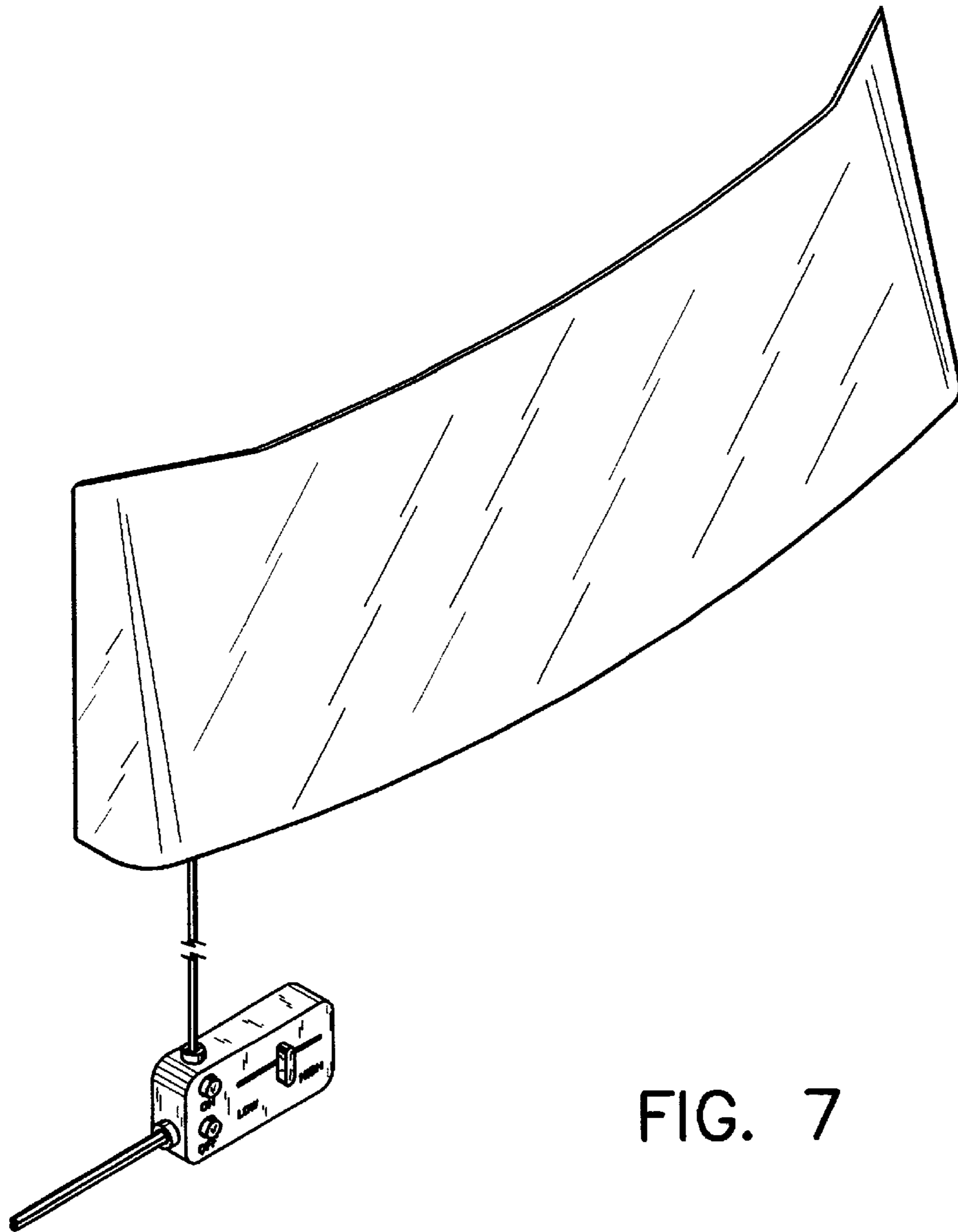


FIG. 7