



US00D528049S

(12) **United States Design Patent**
Uribe et al.

(10) **Patent No.:** **US D528,049 S**
(45) **Date of Patent:** **** Sep. 12, 2006**

(54) **FULL FRAME WALKER**

(76) Inventors: **Horner Uribe**, 19219 S. Highway 28,
La Mesa, NM (US) 88044; **Rudy C.**
Uribe, 19219 S. Highway 28, La Mesa,
NM (US) 88044

(**) Term: **14 Years**

(21) Appl. No.: **29/234,607**

(22) Filed: **Jul. 21, 2005**

(51) **LOC (8) Cl.** **12-12**

(52) **U.S. Cl.** **D12/130**

(58) **Field of Classification Search** D12/128-133;
280/87.021, 242.1, 250.1; 297/DIG. 4, 5;
135/66, 67

See application file for complete search history.

(56) **References Cited**

U.S. PATENT DOCUMENTS

4,162,101 A 7/1979 McCague, Sr. et al.
4,415,198 A 11/1983 Brearley
5,224,721 A 7/1993 Santmann

5,605,169 A 2/1997 Light
D400,829 S * 11/1998 Tomlinson D12/130
6,340,168 B1 1/2002 Woleen
6,371,142 B1 4/2002 Battiston
D472,187 S * 3/2003 Tomlinson D12/130
D480,666 S * 10/2003 Owens D12/130
D500,714 S 1/2005 Uribe et al.
D507,212 S * 7/2005 Tomlinson D12/130

* cited by examiner

Primary Examiner—Marcus A. Jackson

(74) *Attorney, Agent, or Firm*—Richard L. Mikesell

(57) **CLAIM**

The new, original ornamental design for a full frame walker,
as shown and described.

DESCRIPTION

FIG. 1 is a top left perspective view of the ornamental
design of the instant invention; and,
FIG. 2 is a rear elevation.

The broken line showing of the wheels are for illustrative
purposes only and forms no part of the claimed design.

1 Claim, 1 Drawing Sheet

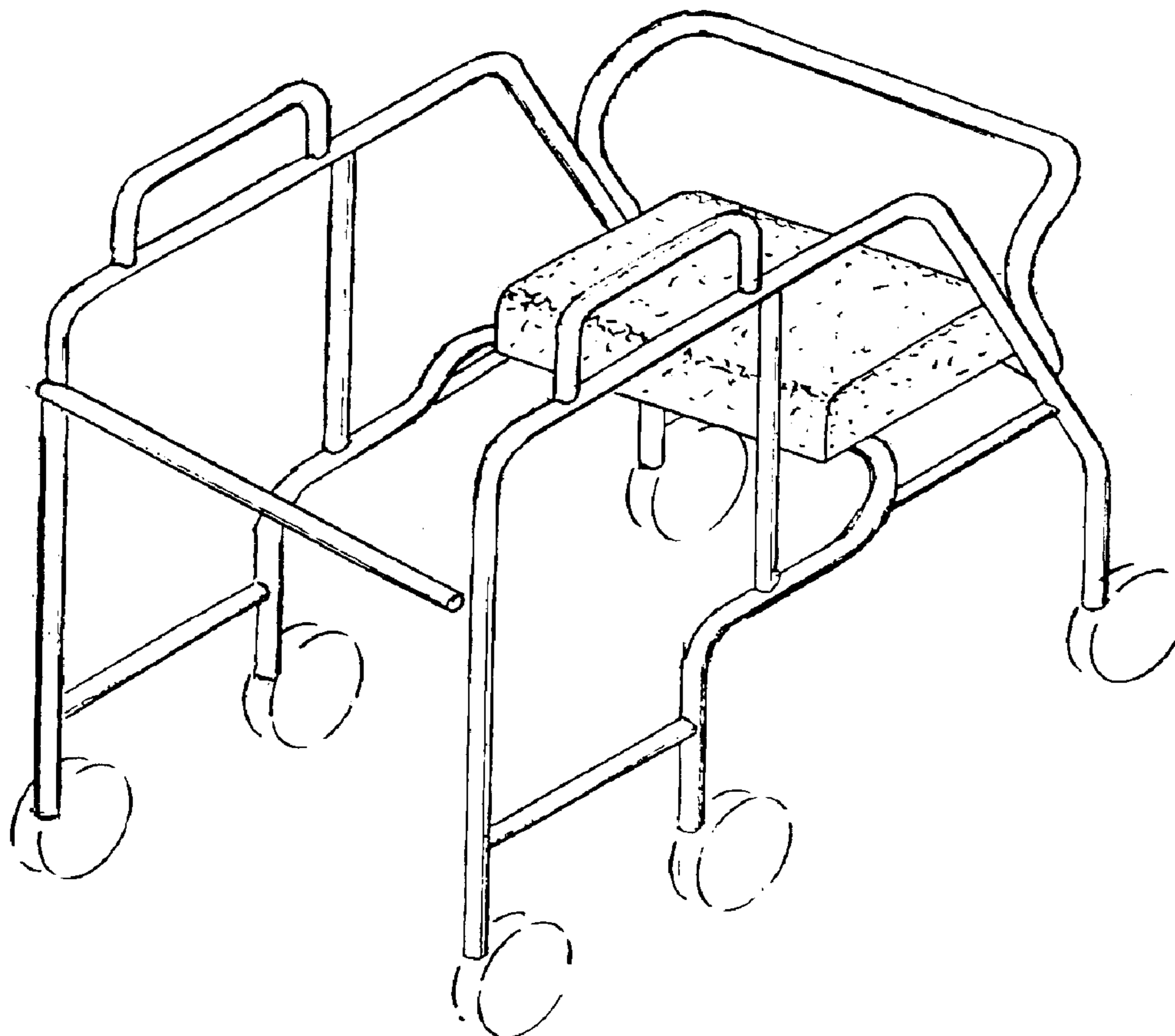


FIG 1

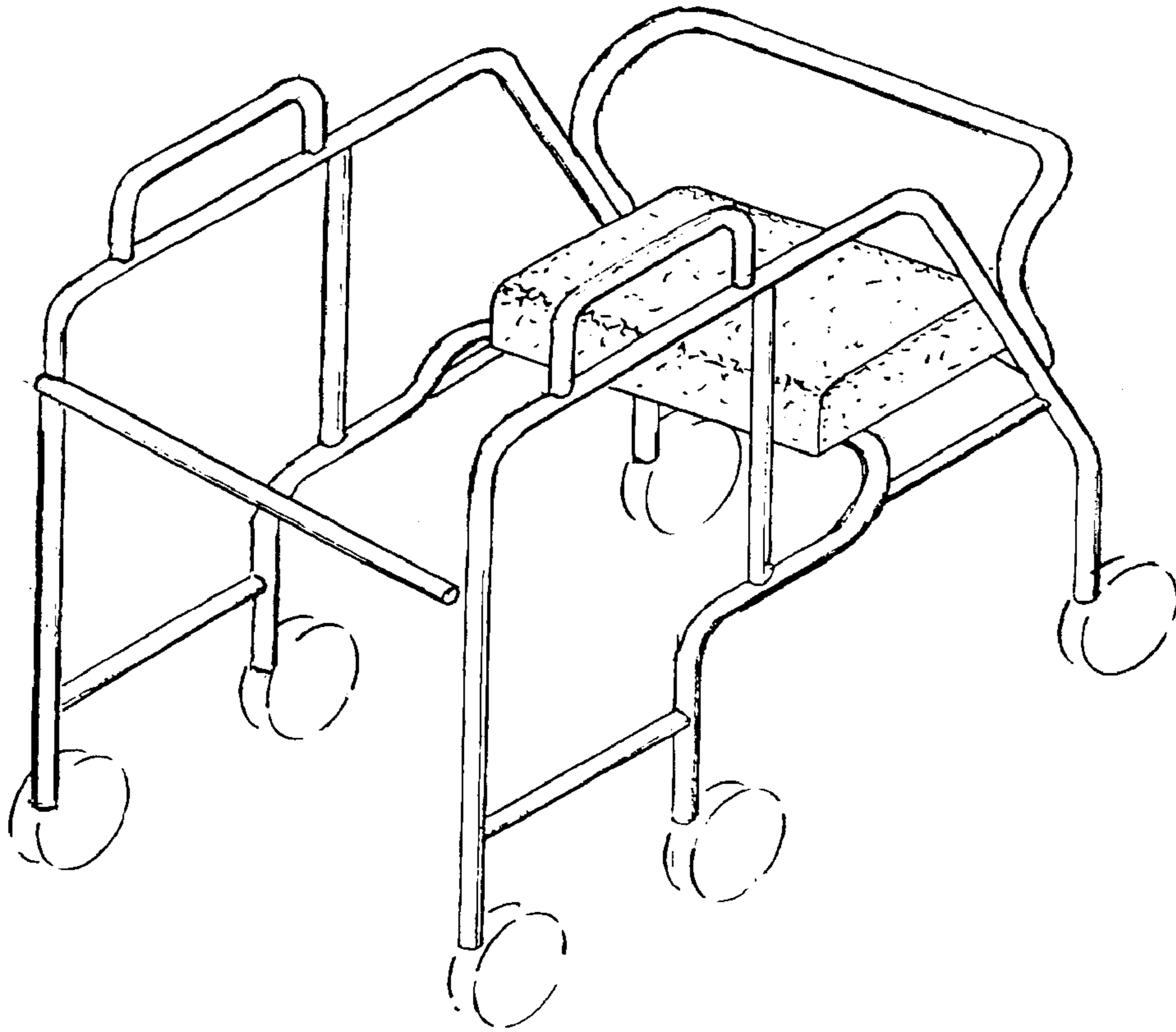


FIG 2

