



US00D528048S

(12) **United States Design Patent**
Lin et al.

(10) **Patent No.:** **US D528,048 S**

(45) **Date of Patent:** **** Sep. 12, 2006**

(54) **STROLLER FRAME**

(75) Inventors: **Wang-Shing Lin**, 24, Alley 14, Lane 291, Yen Cheng Rd., Tainan (TW);
Shih-Ching Li, Tainan Hsien (TW);
Po-Lu Tsen, Tainan Hsien (TW);
Ho-Tsang Li, Yun Lin Hsien (TW);
Chia-Neng Yeh, Tainan (TW)

(73) Assignee: **Wang-Shing Lin**, Tainan (TW)

(**) Term: **14 Years**

(21) Appl. No.: **29/235,455**

(22) Filed: **Aug. 2, 2005**

(51) **LOC (8) Cl.** **12-12**

(52) **U.S. Cl.** **D12/129**

(58) **Field of Classification Search** D12/128-133;
280/36, 38, 42, 47, 67, 641, 642, 643, 650,
280/658

See application file for complete search history.

(56) **References Cited**

U.S. PATENT DOCUMENTS

D456,319 S * 4/2002 Yeh D12/129

D463,762 S * 10/2002 Everett D12/129
D475,951 S * 6/2003 Everett D12/129
D506,417 S * 6/2005 Liao D12/129

* cited by examiner

Primary Examiner—Marcus A. Jackson
(74) *Attorney, Agent, or Firm*—Alan D. Kamrath; Nikolai & Mersereau, P.A.

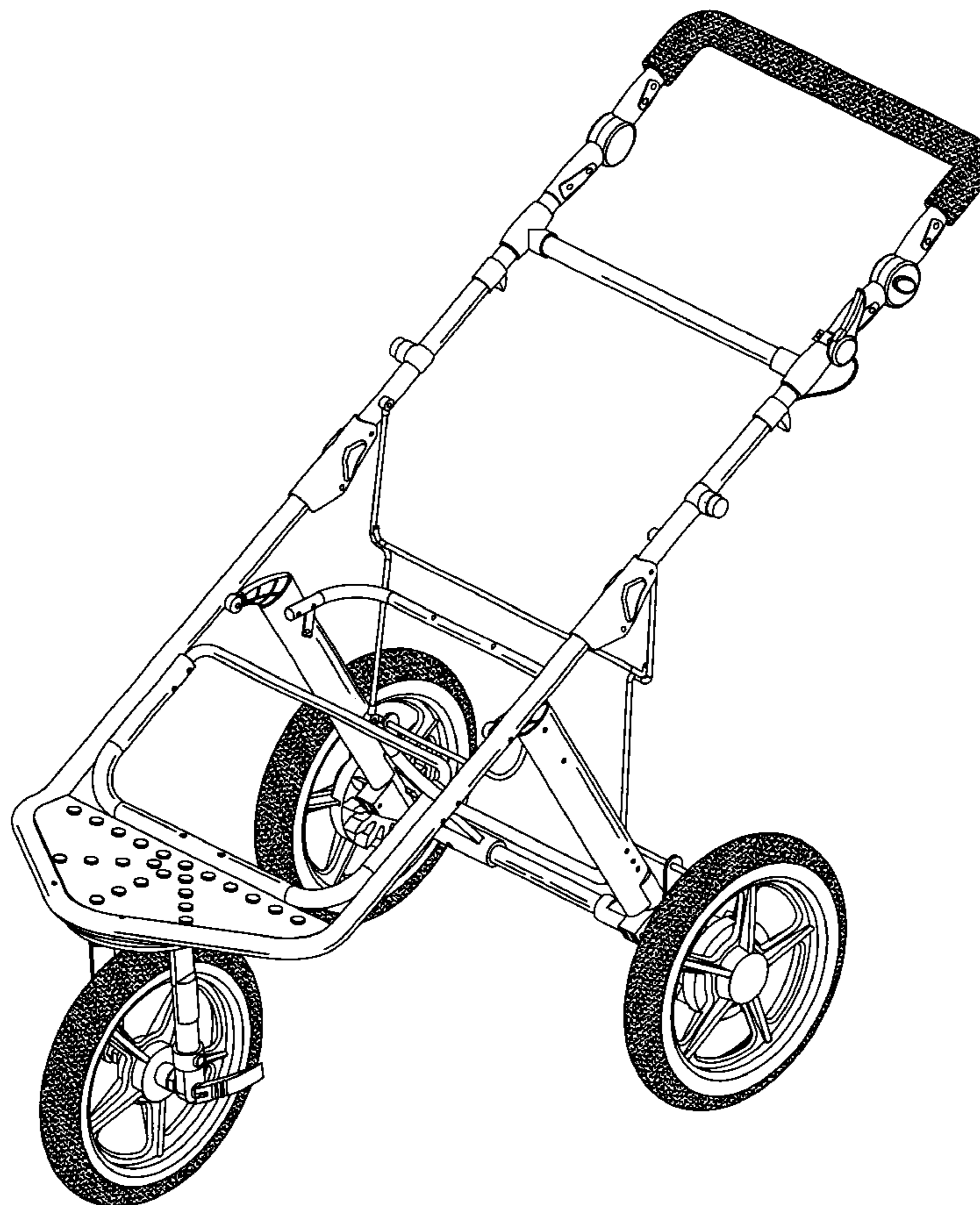
(57) **CLAIM**

The ornamental design for a stroller frame, as shown and described.

DESCRIPTION

FIG. 1 is a perspective view of a stroller frame showing my design;
FIG. 2 is a front elevational view thereof;
FIG. 3 is a rear elevational view thereof;
FIG. 4 is a left side elevational view thereof;
FIG. 5 is a right side elevational view thereof;
FIG. 6 is a top plan view thereof; and,
FIG. 7 is a bottom plan view thereof.

1 Claim, 7 Drawing Sheets



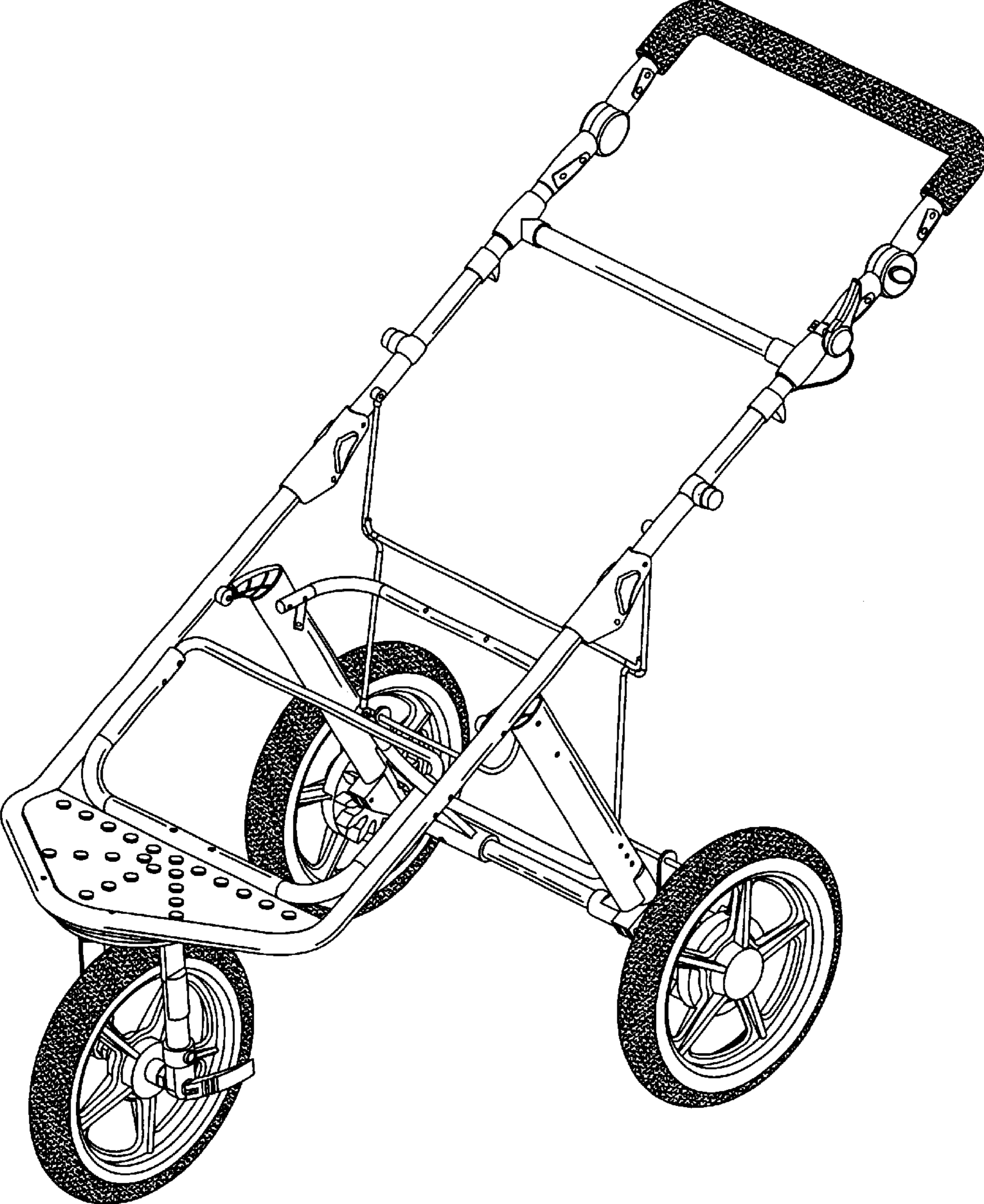


FIG.1

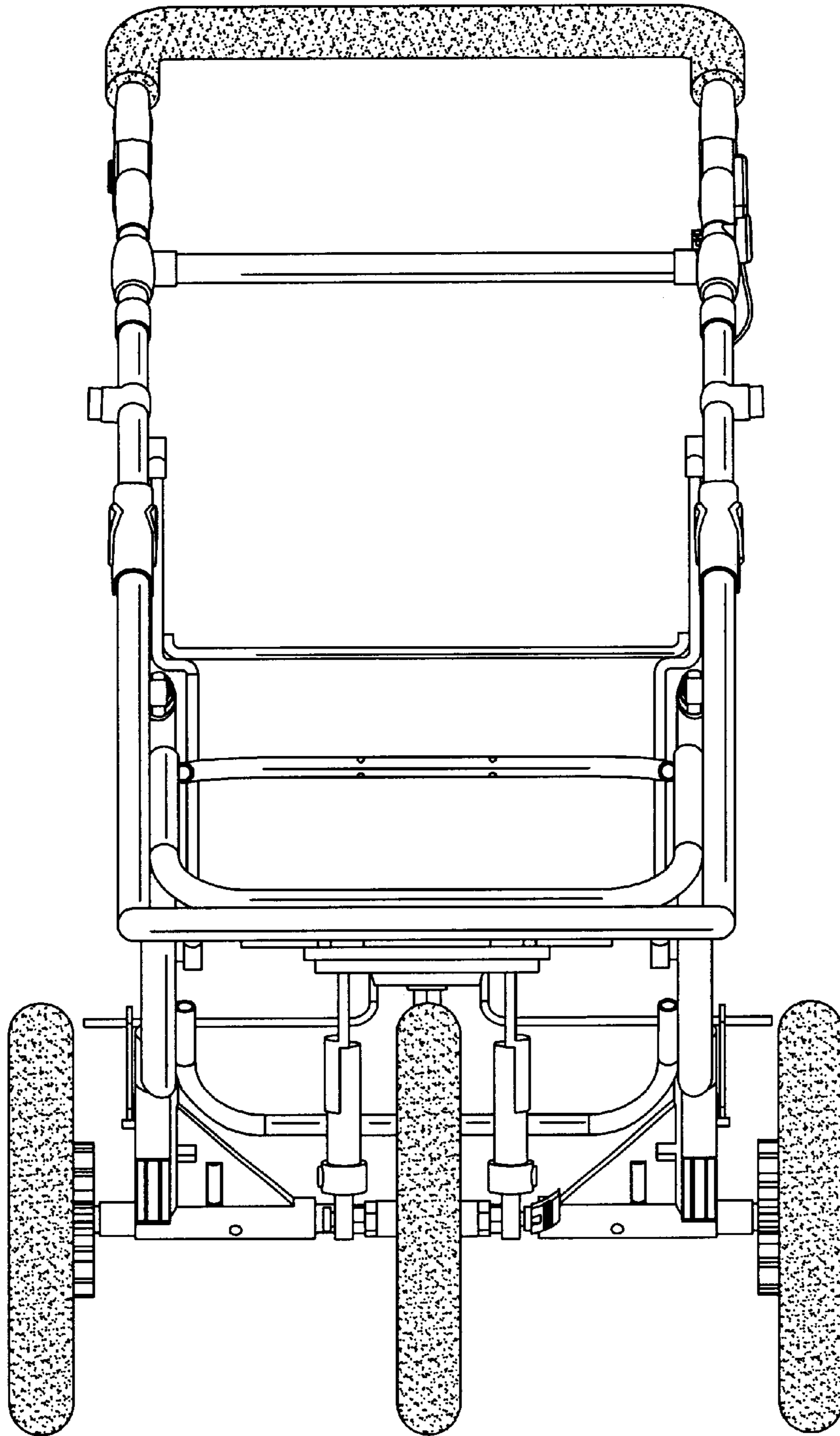


FIG.2

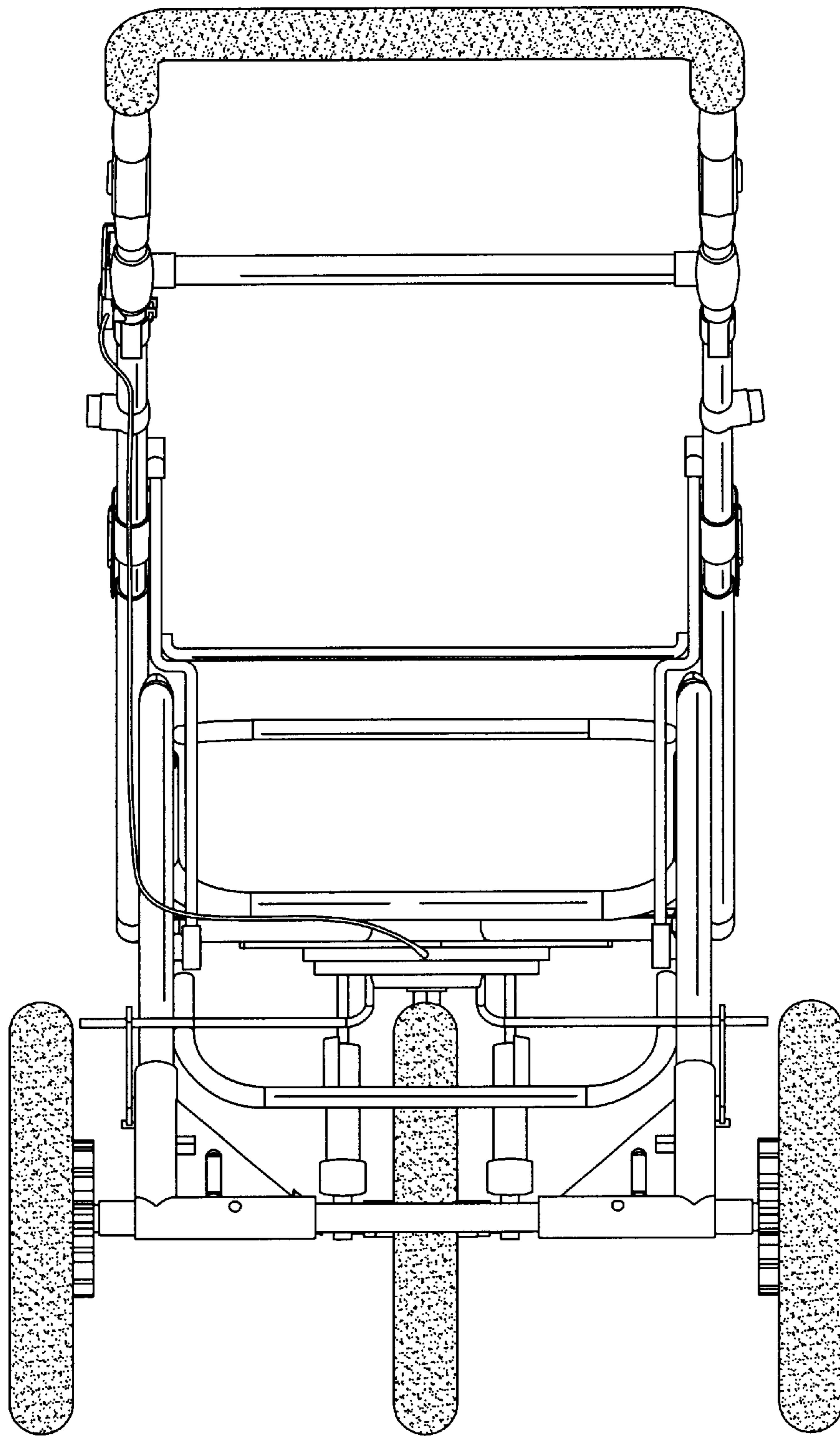


FIG.3

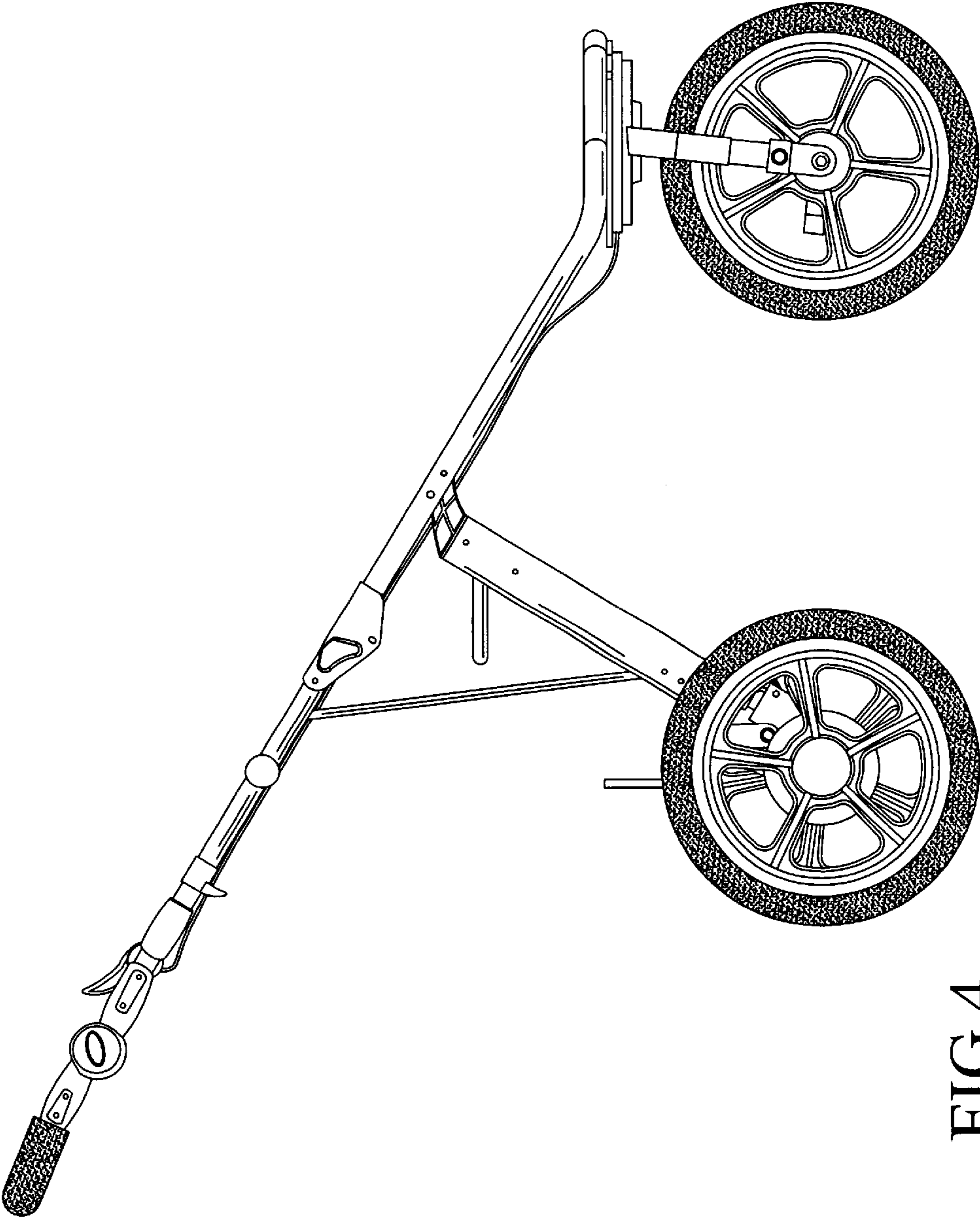


FIG.4

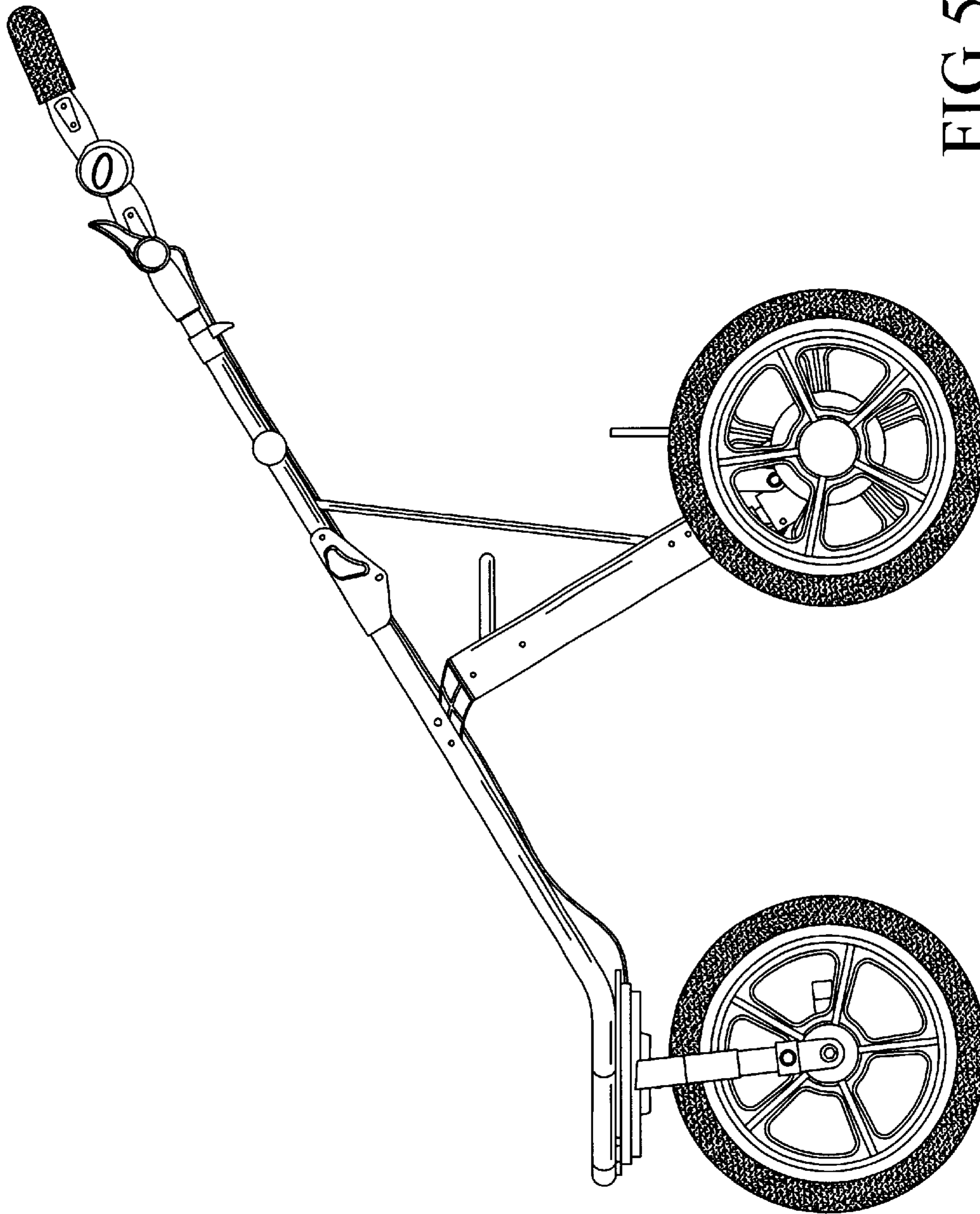


FIG. 5

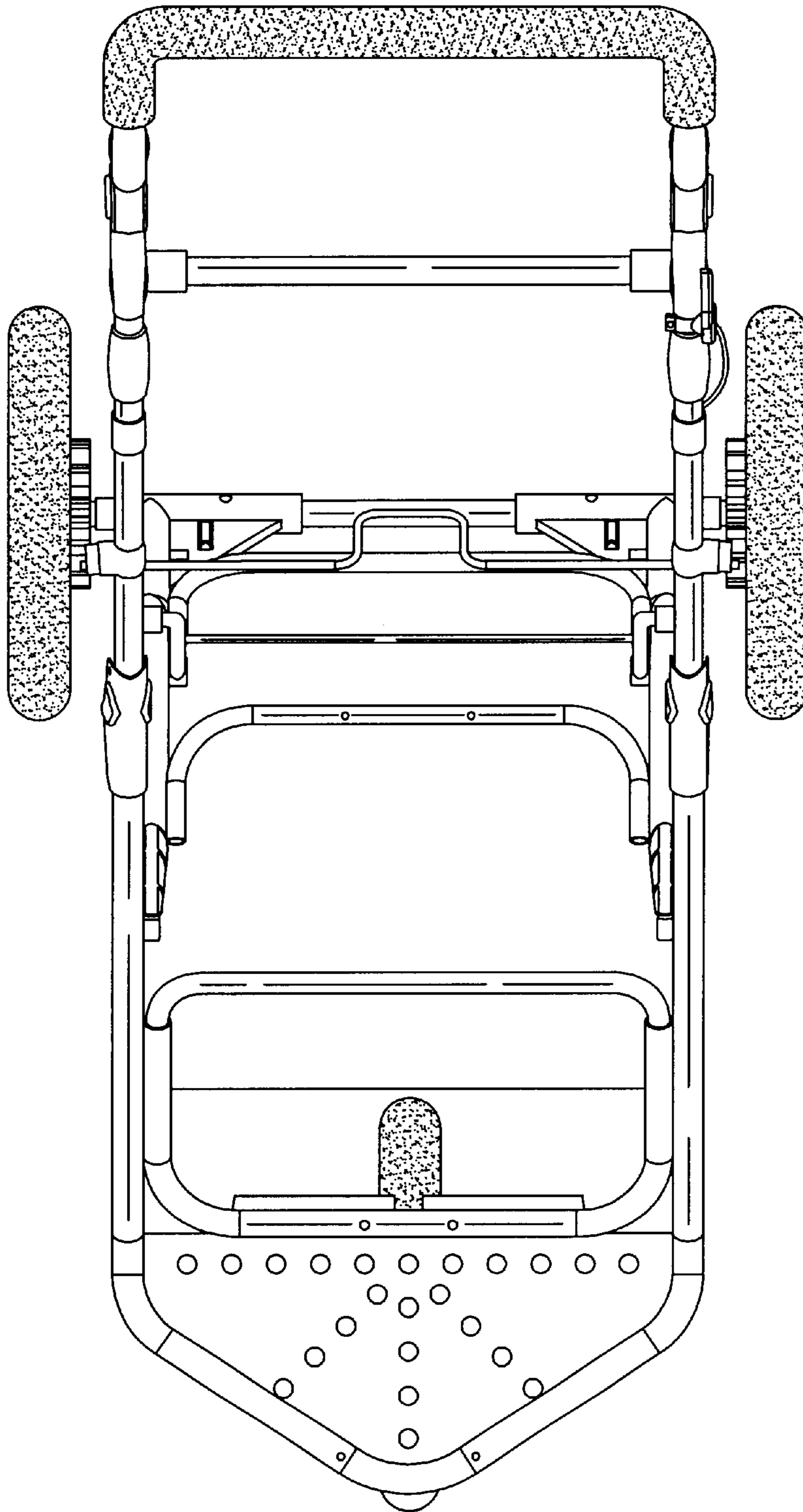


FIG.6

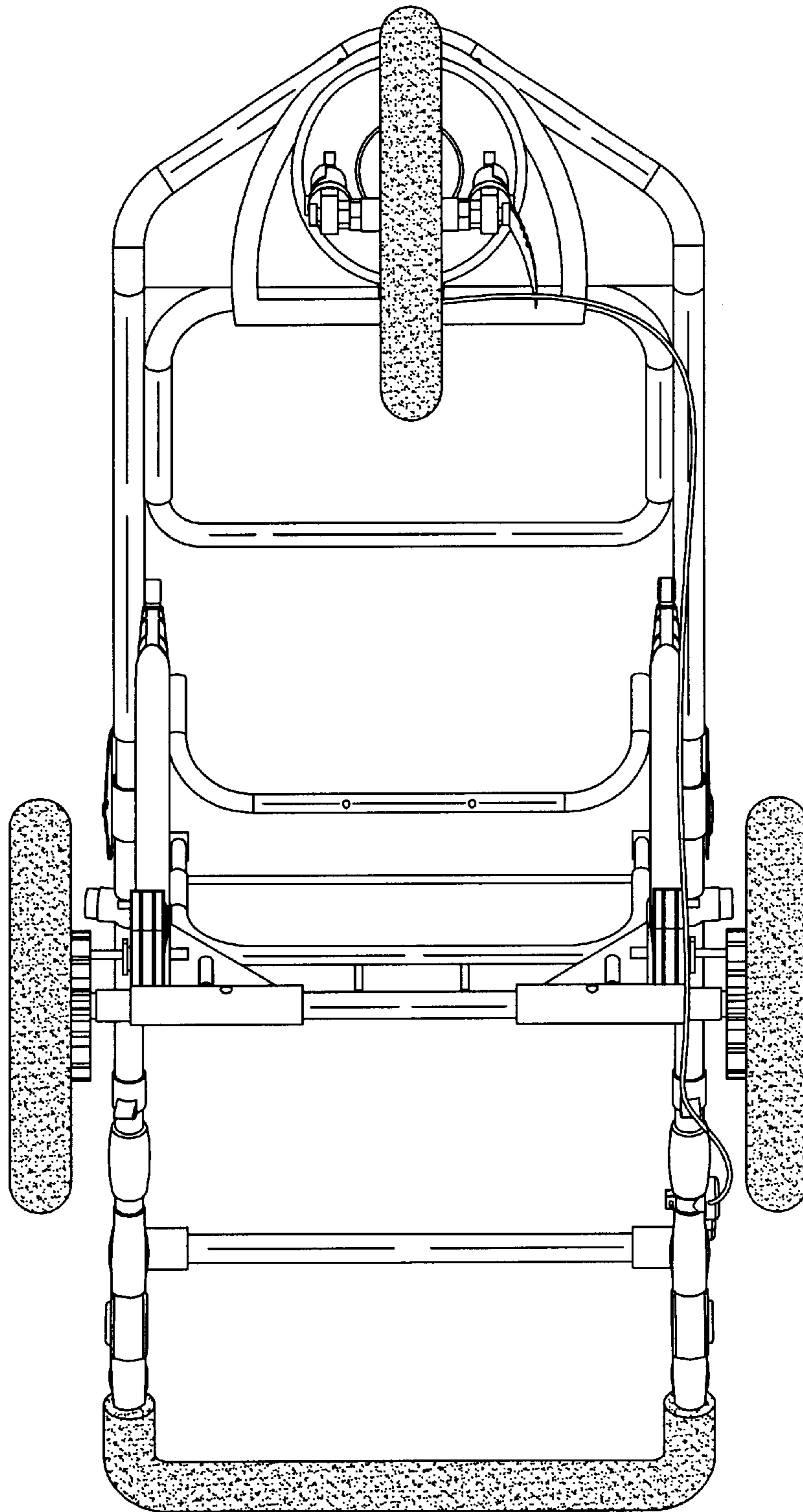


FIG.7