

US00D528046S

(12) **United States Design Patent**  
**Stritchuk et al.**

(10) **Patent No.:** **US D528,046 S**

(45) **Date of Patent:** **\*\* Sep. 12, 2006**

(54) **TRICYCLE BODY**

D512,344 S \* 12/2005 Matthies ..... D12/110

(75) Inventors: **Larry David Stritchuk**, Clyde (CA);  
**Garth Lyle Barrett**, Morinville (CA);  
**Dwayne Dennis Kostiuik**, Westlock  
(CA); **Marcel Edward Foley**, Westlock  
(CA)

\* cited by examiner

*Primary Examiner*—Alan P. Douglas

*Assistant Examiner*—Linda Brooks

(74) *Attorney, Agent, or Firm*—Christensen O'Connor  
Johnson Kindness PLLC

(73) Assignee: **Lehman Trikes, Inc.**, Westlock (CA)

(\*\*) Term: **14 Years**

(57) **CLAIM**

The ornamental design for a tricycle body, as shown and described.

(21) Appl. No.: **29/235,191**

(22) Filed: **Jul. 28, 2005**

**DESCRIPTION**

(51) **LOC (8) Cl.** ..... **12-11**

(52) **U.S. Cl.** ..... **D12/110**

(58) **Field of Classification Search** ..... D12/85,  
D12/107, 110, 112, 181, 184–186; 180/209,  
180/210, 215, 217, 16, 219; 280/282–284,  
280/288.1, 288.2, 288.3, 288.4; 296/78.1,  
296/193.08

FIG. 1 is a perspective view of the tricycle body.

FIG. 2 is a front elevation view of the tricycle body, shown without the fenders for ease of illustration.

FIG. 3 is a left side elevation view of the tricycle body.

FIG. 4 is a top plan view of the tricycle body.

FIG. 5 is a rear elevation view of the tricycle body; and,

FIG. 6 is a left side elevation view of the tricycle body.

The broken lines showing the remainder of a tricycle form no part of the claimed design.

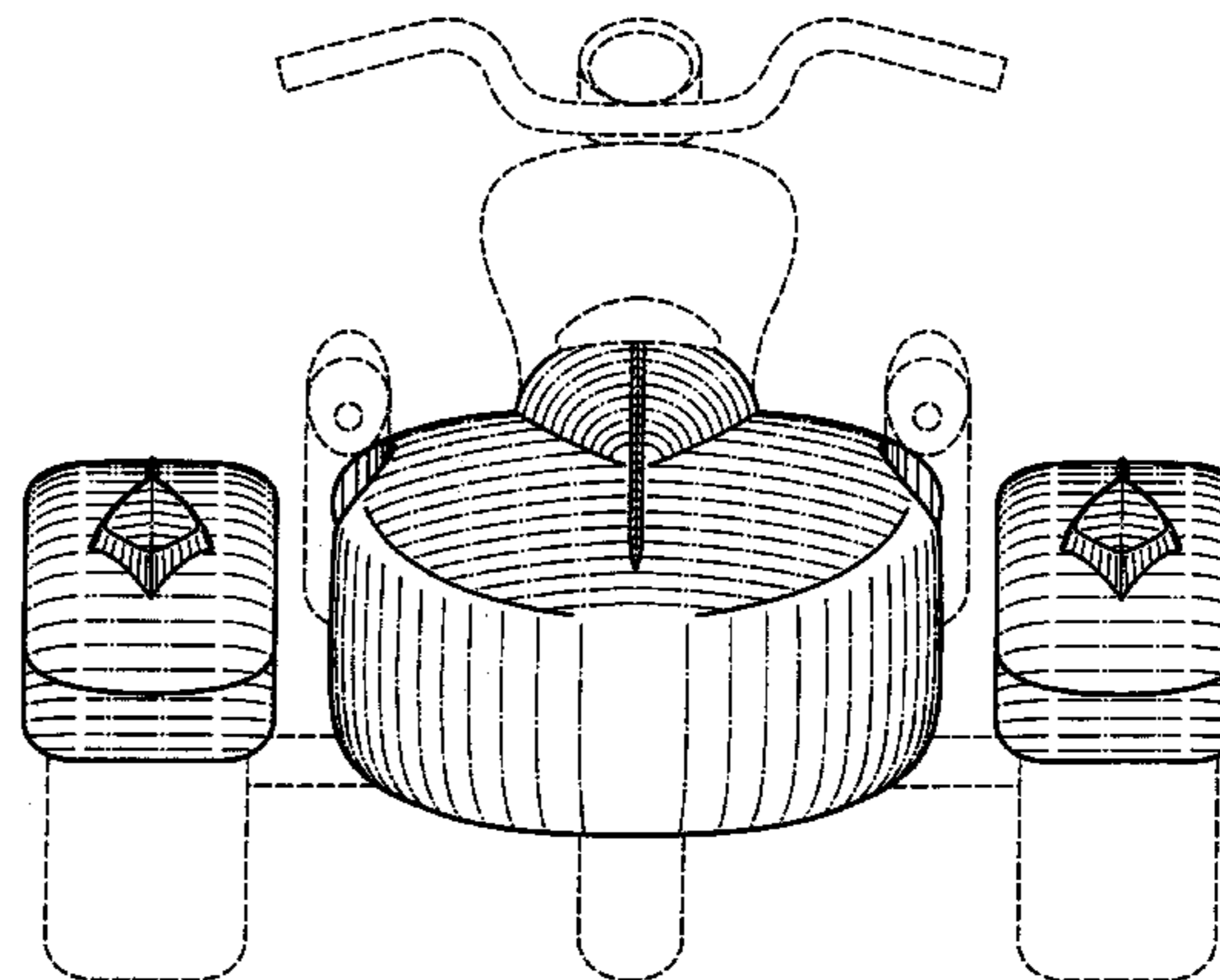
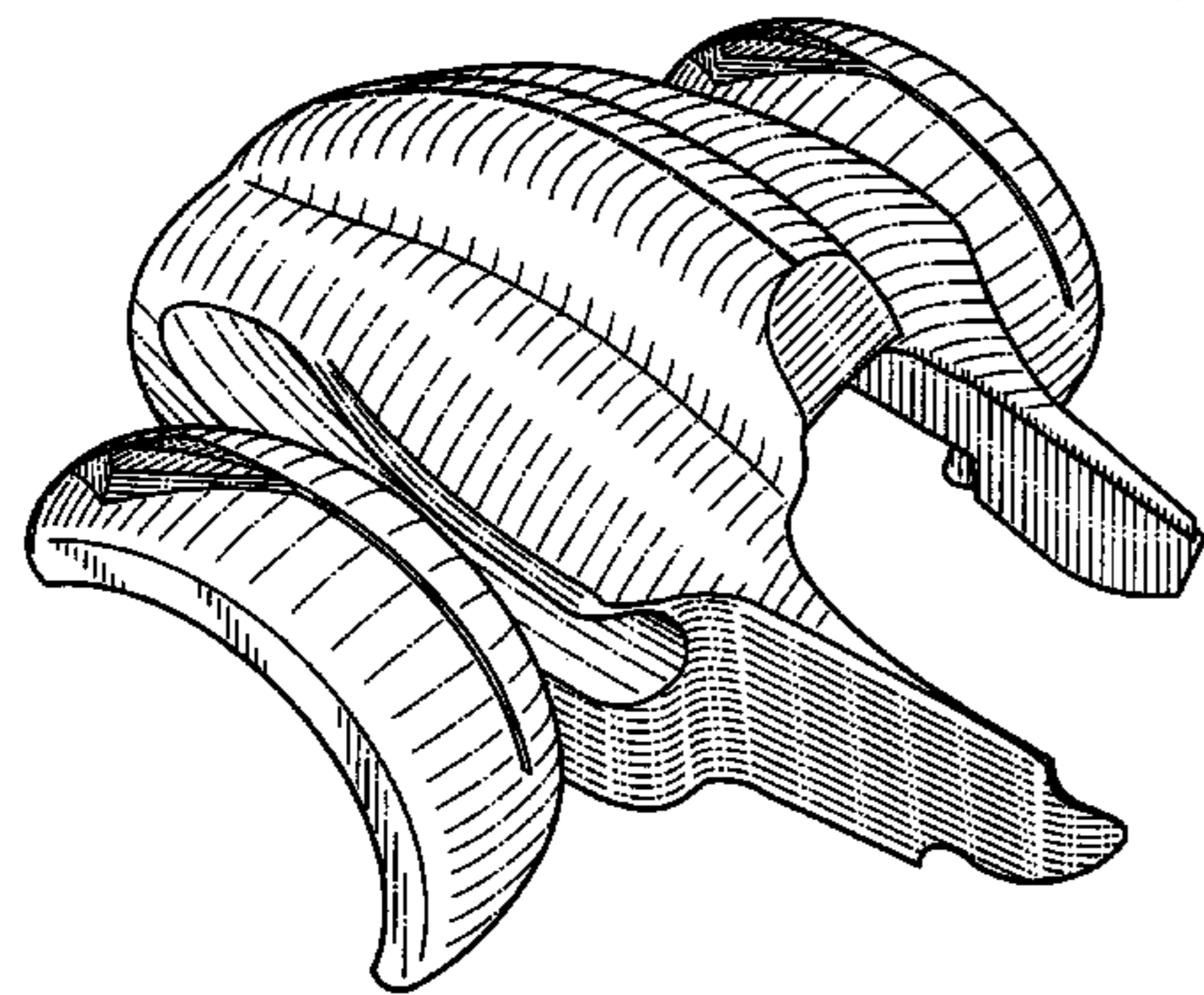
See application file for complete search history.

(56) **References Cited**

**U.S. PATENT DOCUMENTS**

D479,160 S \* 9/2003 Hyndman et al. .... D12/110

**1 Claim, 6 Drawing Sheets**



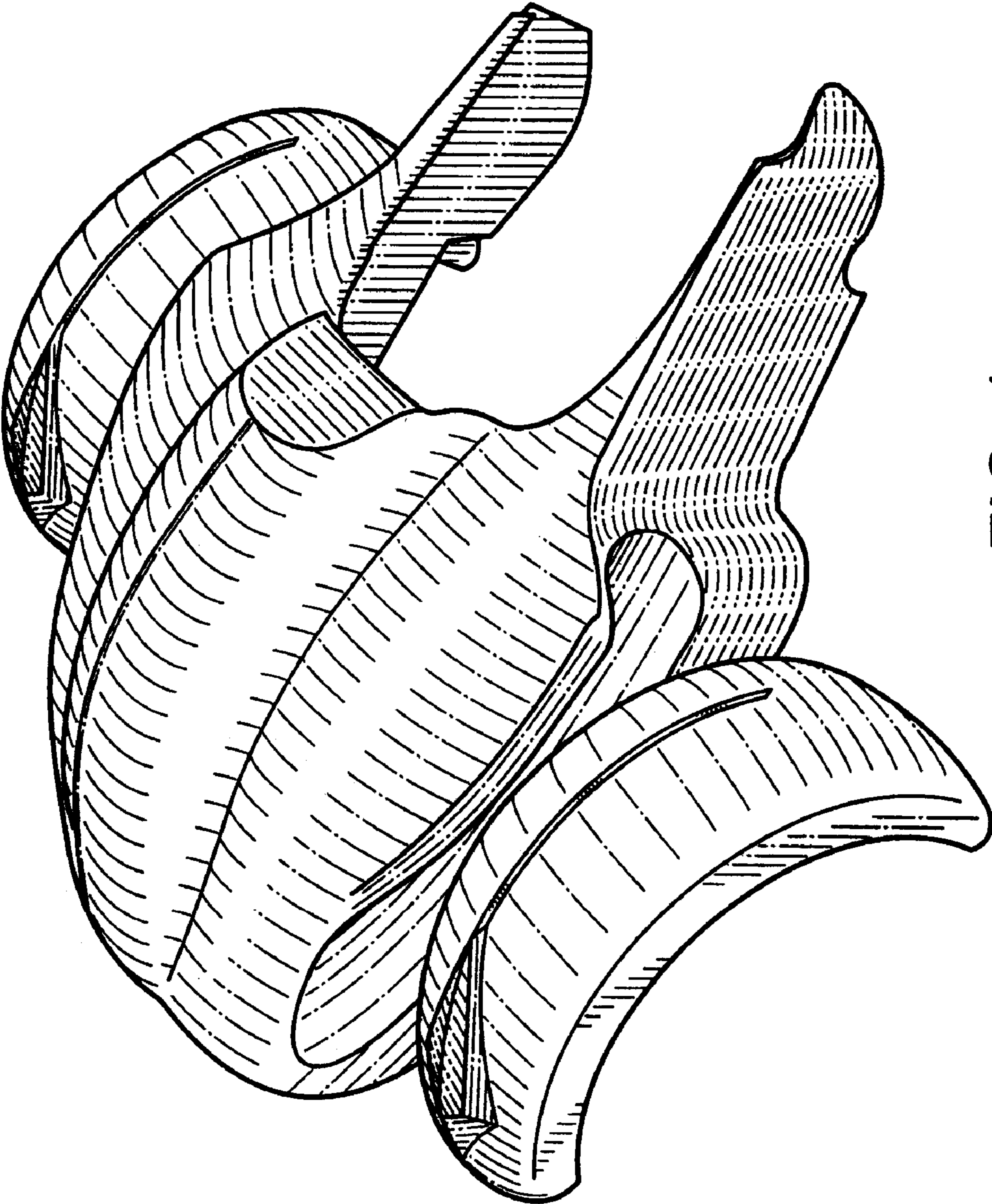


FIG. 1

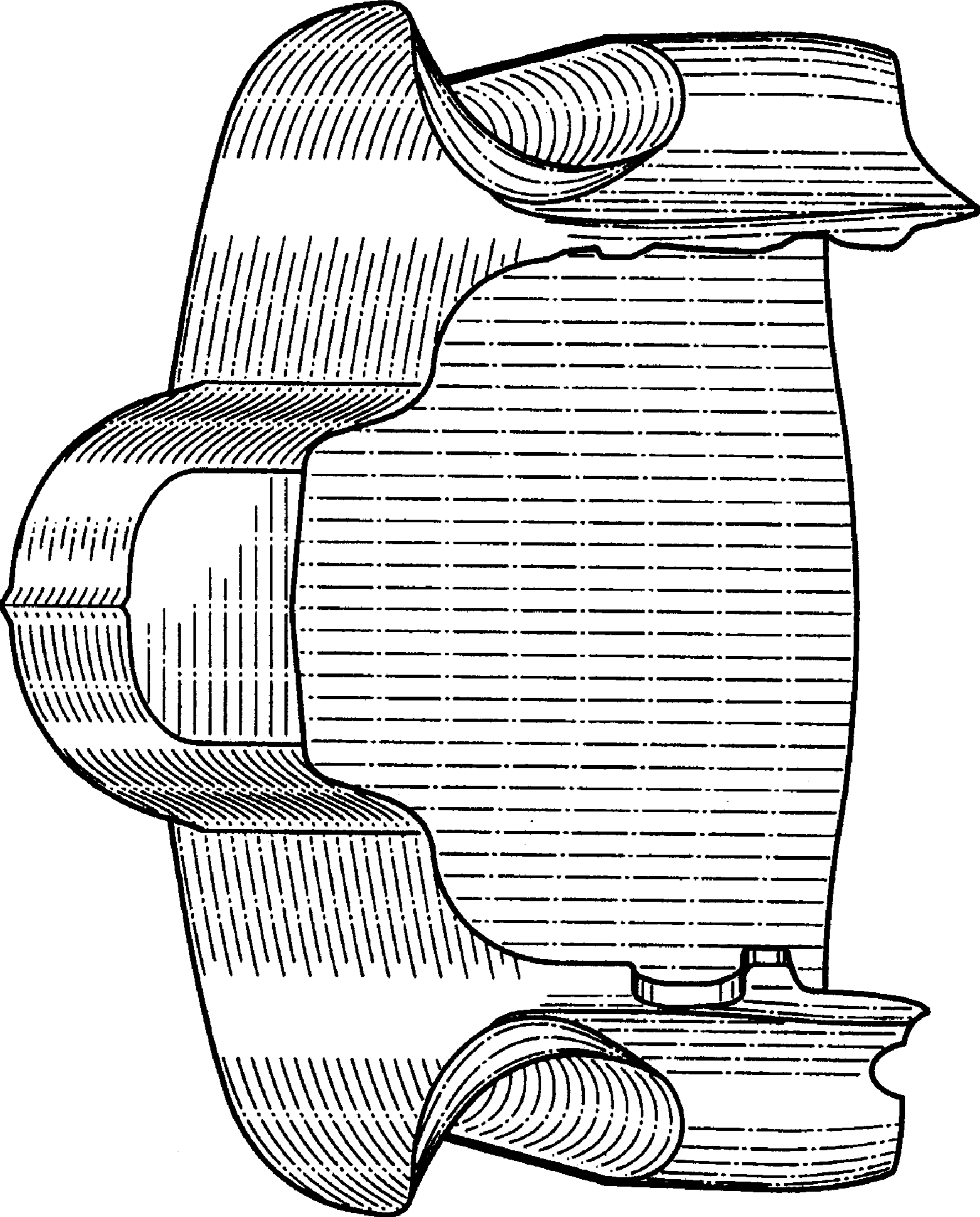


FIG. 2

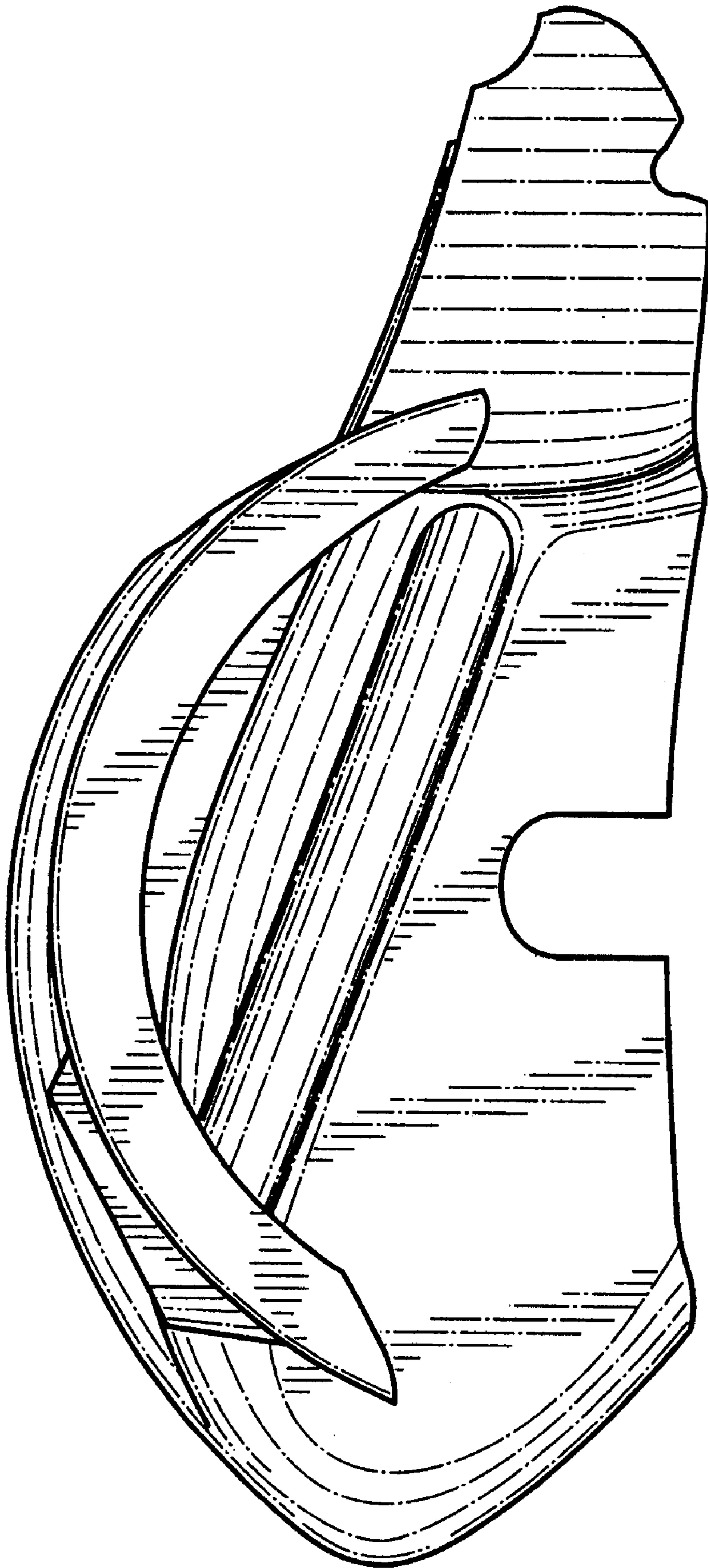
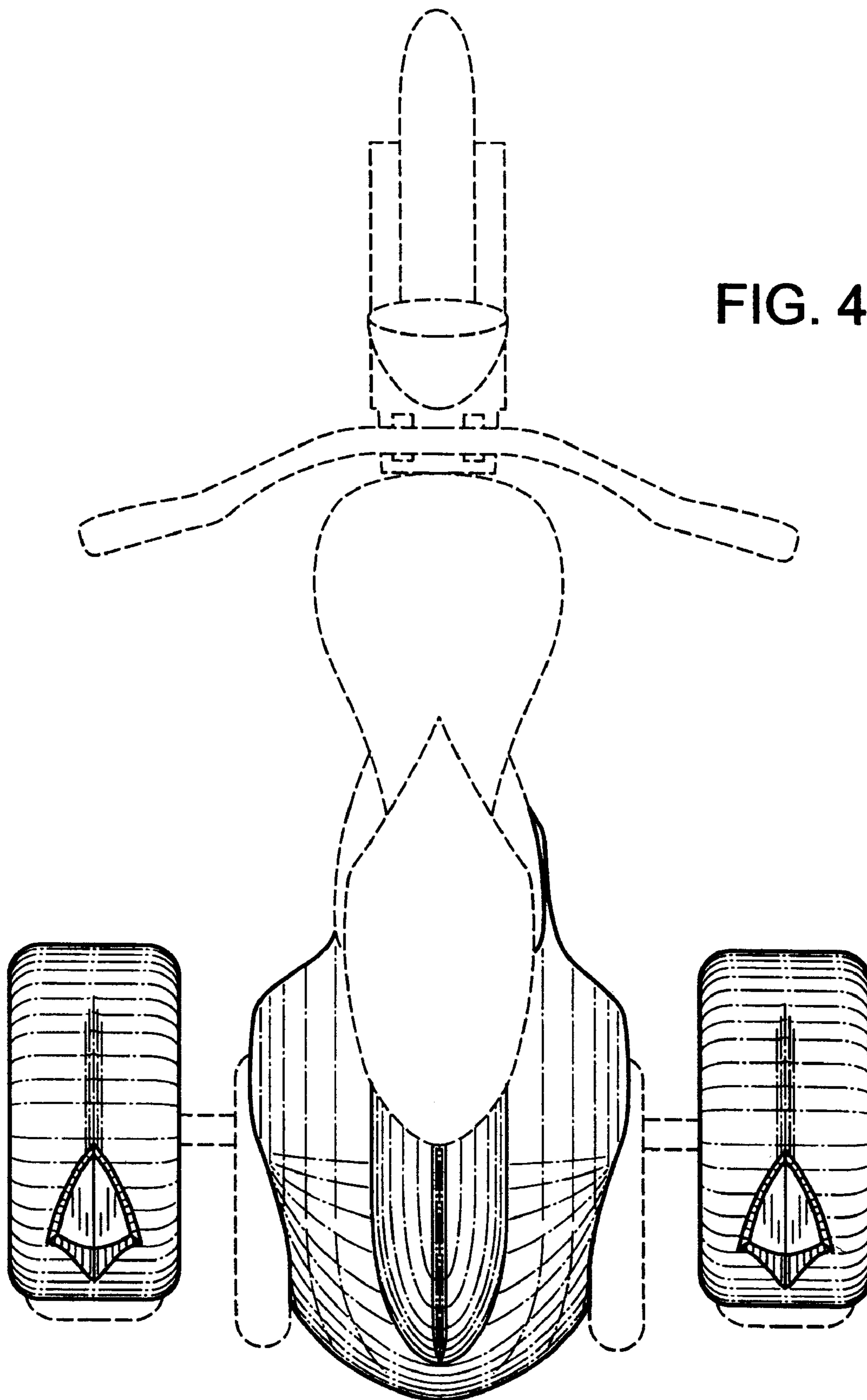


FIG. 3



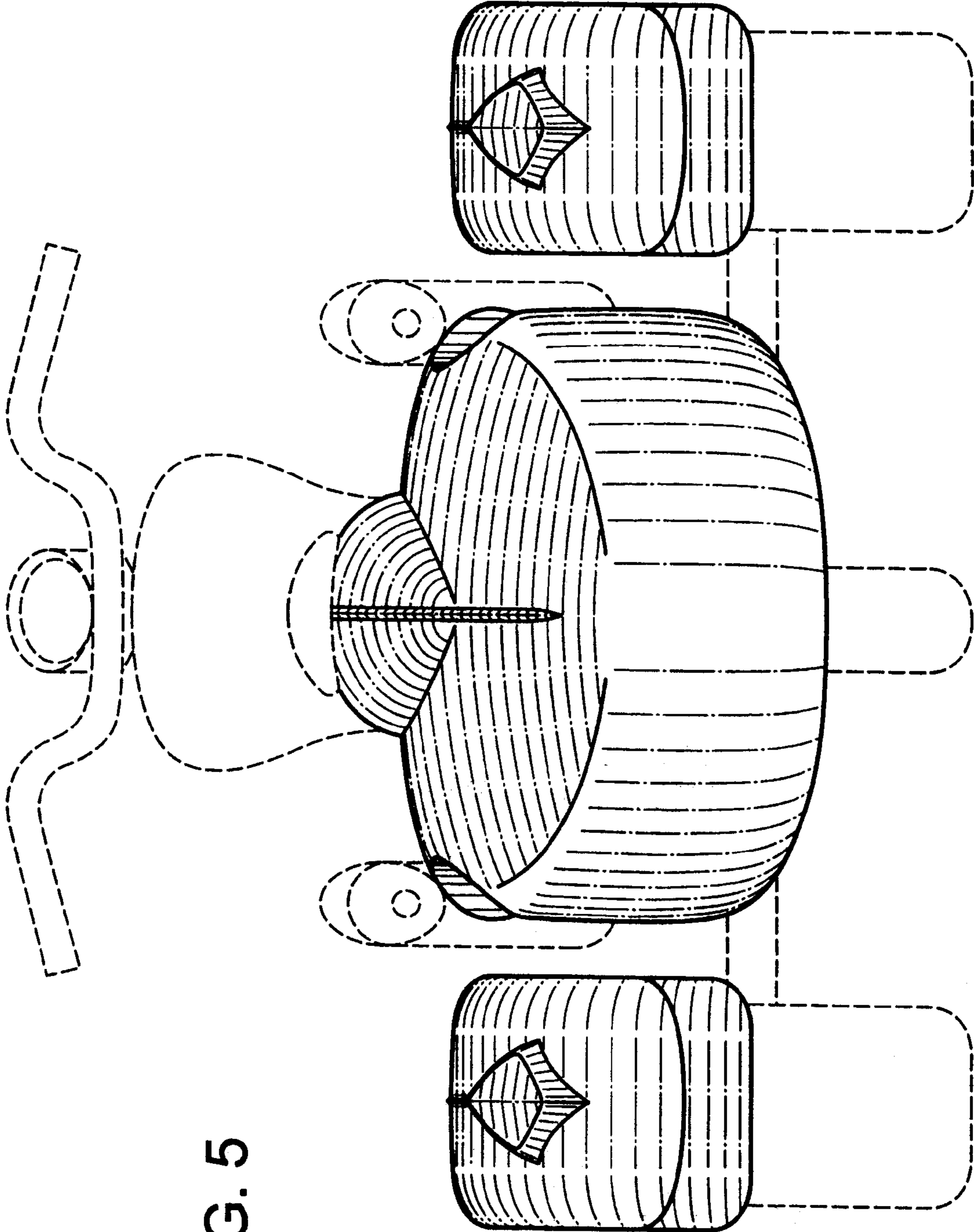


FIG. 5

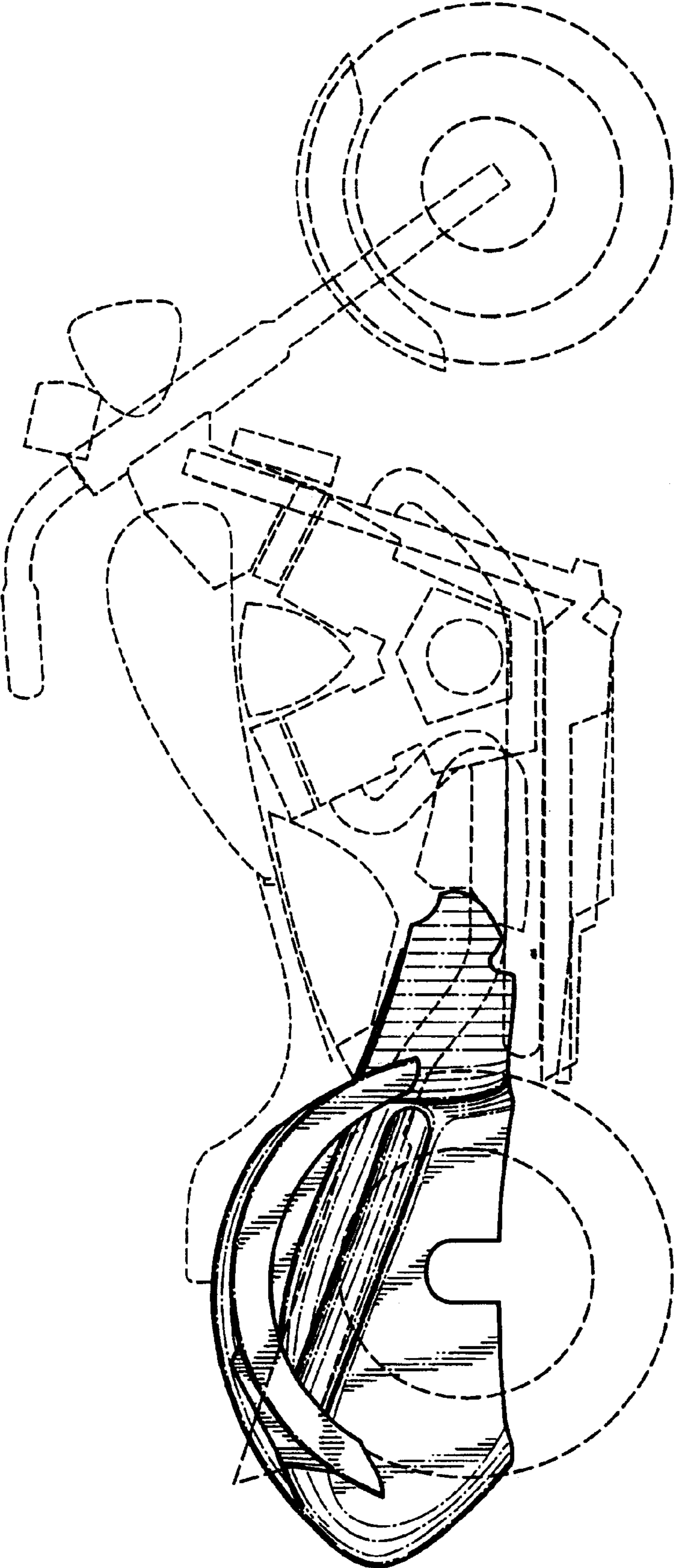


FIG. 6

UNITED STATES PATENT AND TRADEMARK OFFICE  
**CERTIFICATE OF CORRECTION**

PATENT NO. : Des. 528,046 S  
APPLICATION NO. : 29/235191  
DATED : September 12, 2006  
INVENTOR(S) : L.D. Strilchuk et al.

Page 1 of 1

It is certified that error appears in the above-identified patent and that said Letters Patent is hereby corrected as shown below:

On the title page item (12) Pg. 1, col. 1 Inventors "**Stritchuk et al.**" should read  
**--Strilchuk et al.--**

On the title page item (75) Pg. 1, col. 1 Inventors "**Larry David Stritchuk,**" should read  
**--Larry David Strilchuk,--**

Signed and Sealed this

Twentieth Day of November, 2007

A handwritten signature in black ink on a dotted background. The signature reads "Jon W. Dudas" in a cursive style.

JON W. DUDAS

*Director of the United States Patent and Trademark Office*