

US00D528040S

(12) **United States Design Patent**
Cheng

(10) **Patent No.:** **US D528,040 S**

(45) **Date of Patent:** **** Sep. 12, 2006**

(54) **LOWER STOP DEVICE FOR AN INVISIBLE ZIPPER**

(75) Inventor: **Jung-Yuan Cheng**, Taipei Hsien (TW)

(73) Assignee: **Unitech Zipper and Machinery Co., Ltd.**, Taipei Hsien (TW)

(**) Term: **14 Years**

(21) Appl. No.: **29/217,353**

(22) Filed: **Nov. 17, 2004**

(51) **LOC (8) Cl.** **02-07**

(52) **U.S. Cl.** **D11/221**

(58) **Field of Classification Search** D11/200,
D11/201, 221; 24/415-417, 419, 421, 427-431,
24/381-382, 385, 387, 433; 384/64
See application file for complete search history.

(56) **References Cited**

U.S. PATENT DOCUMENTS

D204,263 S	*	4/1966	Carlile	D11/221
6,704,975 B1	*	3/2004	Matsumoto et al.	24/434
D510,891 S	*	10/2005	Cheng	D11/221

* cited by examiner

Primary Examiner—Ralf Seifert
(74) *Attorney, Agent, or Firm*—Birch, Stewart, Kolasch & Birch, LLP

(57) **CLAIM**

The ornamental design for lower stop device for an invisible zipper, as shown in the accompanying drawings.

DESCRIPTION

FIG. 1 is a perspective view of the lower stop device for an invisible zipper in accordance with the embodiment of the claimed design;

FIG. 2 is a right side elevational view thereof;

FIG. 3 is a top plan view thereof;

FIG. 4 is a front elevational view thereof;

FIG. 5 is a bottom plan view thereof;

FIG. 6 is a left side elevational view thereof;

FIG. 7 is a rear elevational view thereof;

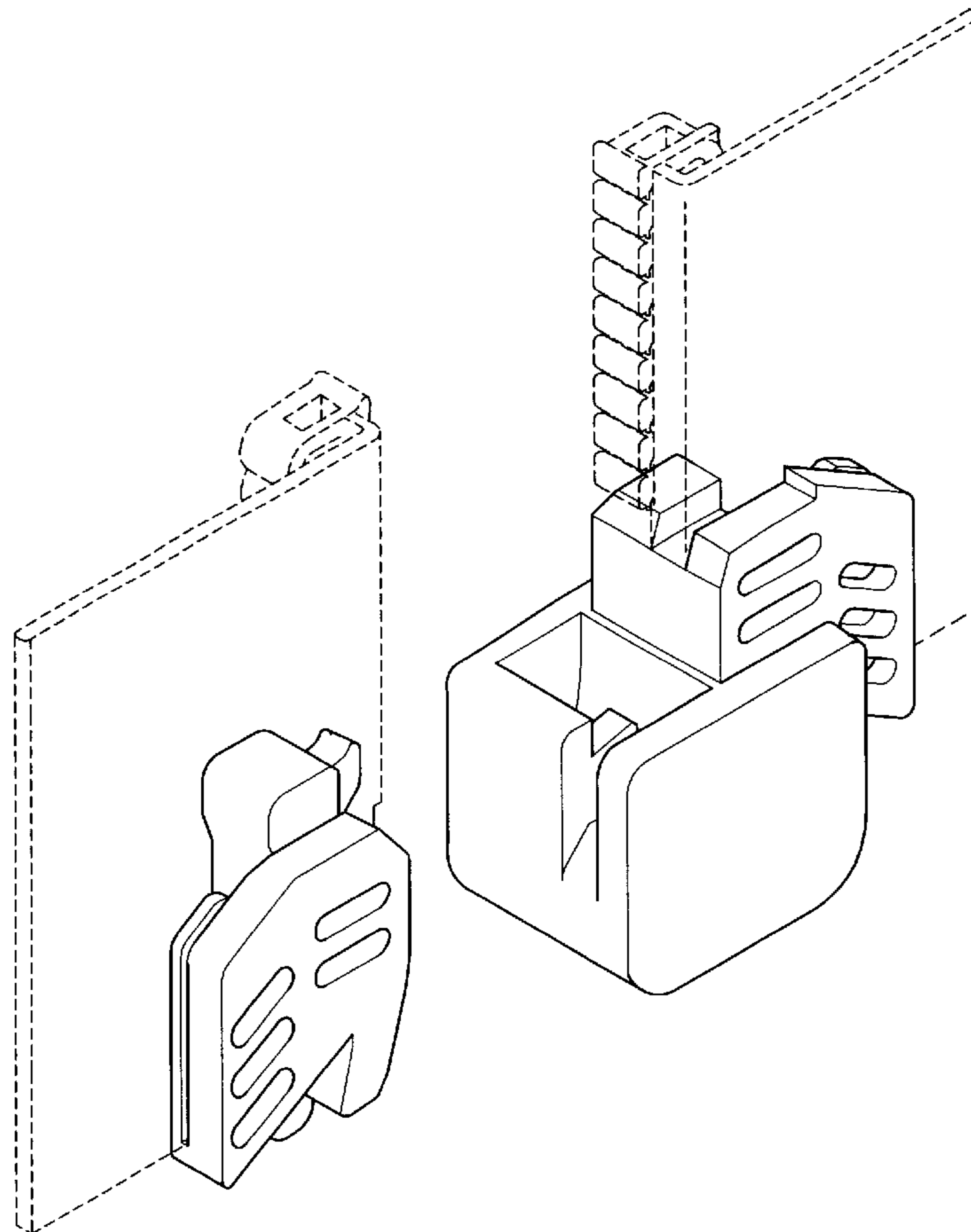
FIG. 8 is an exploded perspective view thereof;

FIG. 9 is an exploded perspective view thereof applied to a zipper strap; and,

FIG. 10 is an assembled perspective view thereof applied to a zipper strap.

It being understood that the broken lines are for illustrative purposes only and form no part of the claimed design.

1 Claim, 7 Drawing Sheets



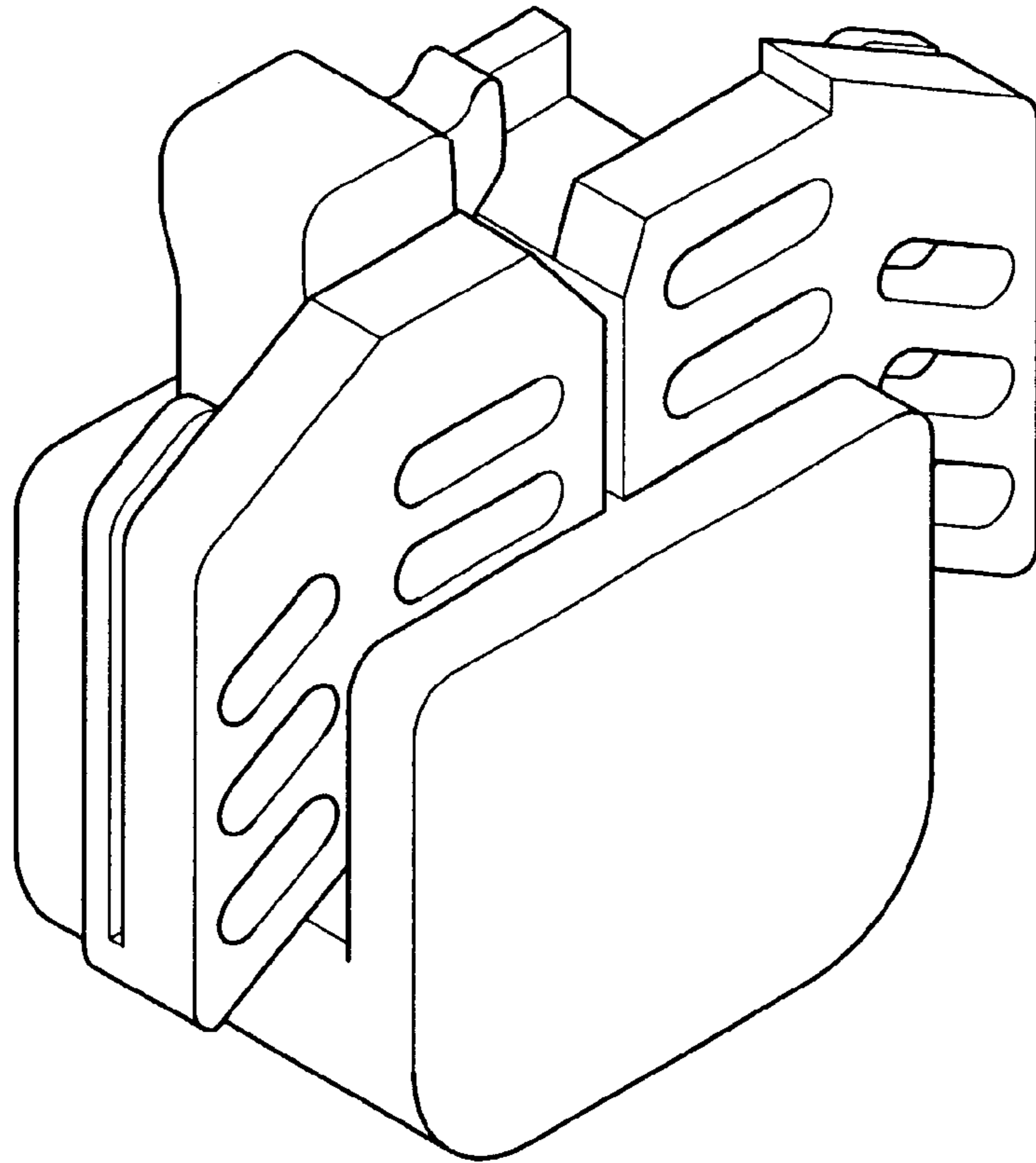


FIG. 1

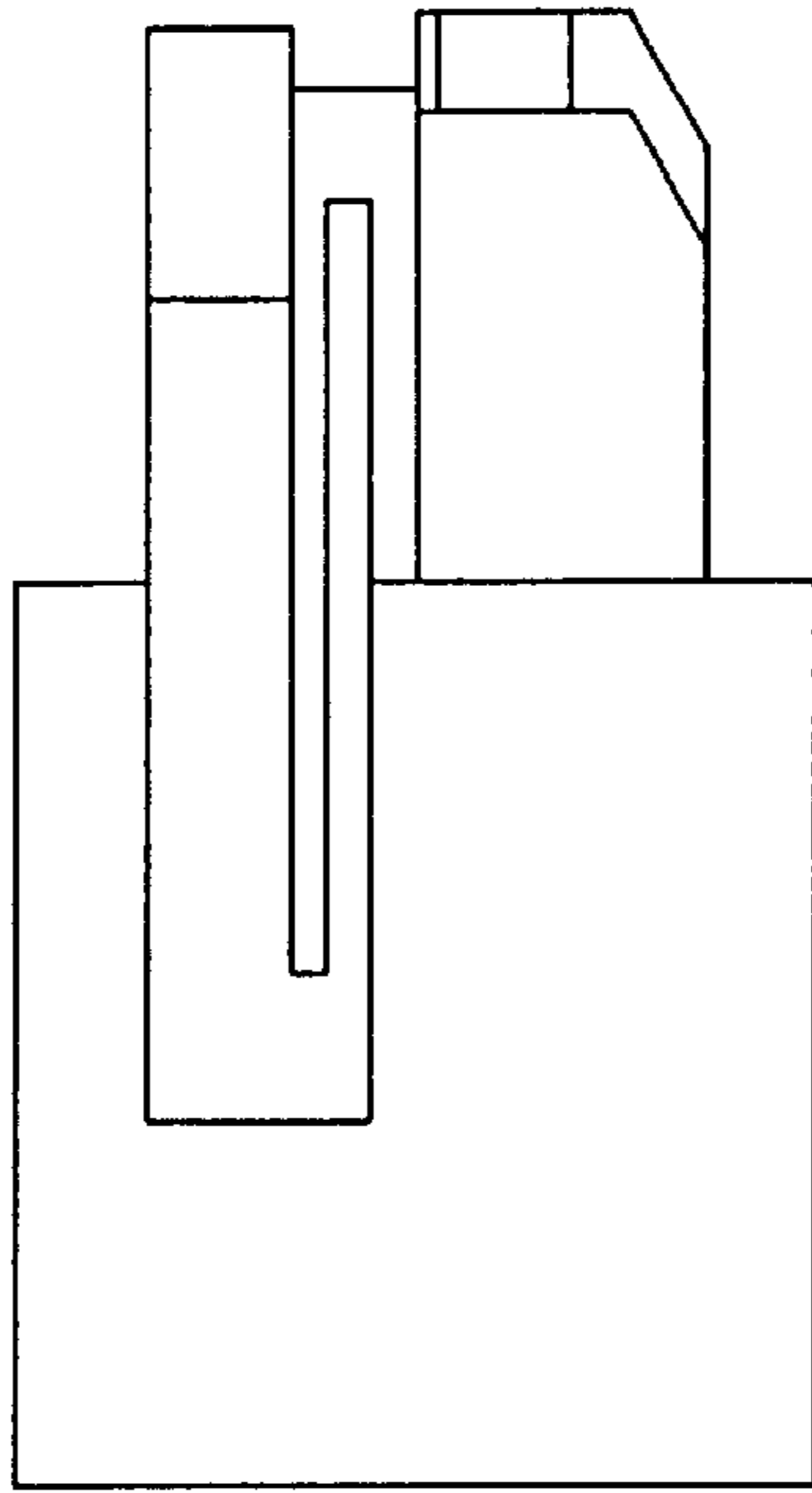


FIG. 2

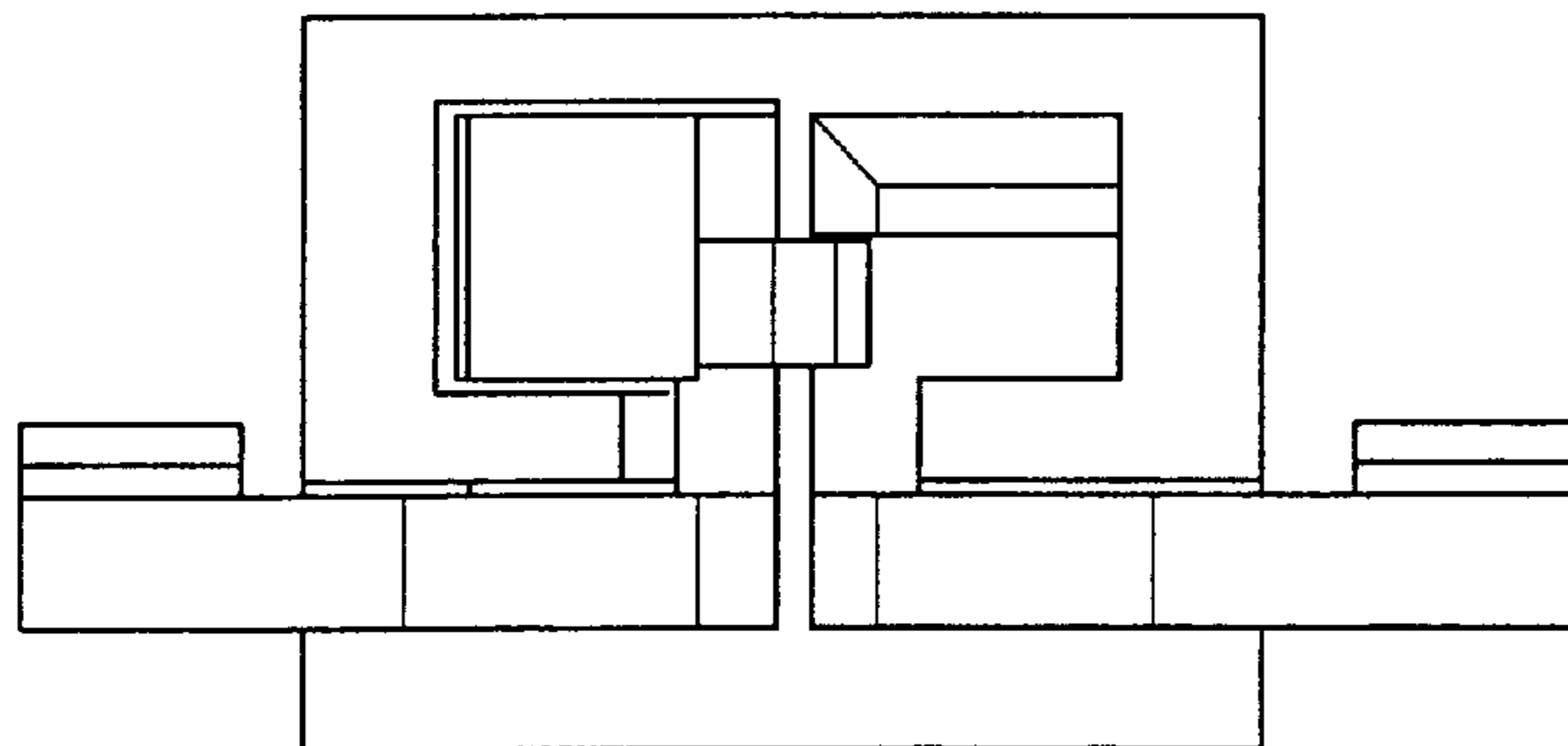


FIG. 3

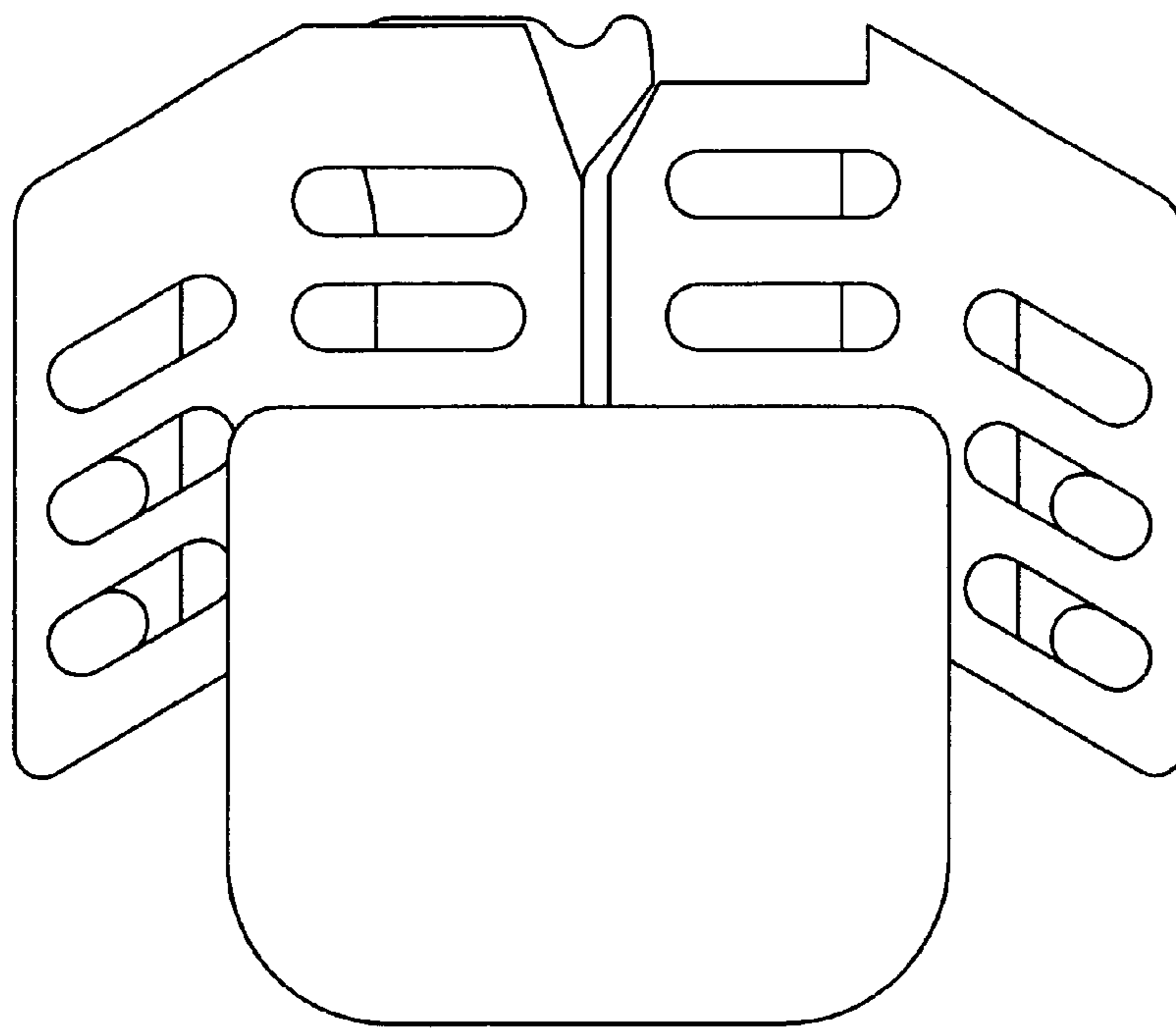


FIG. 4

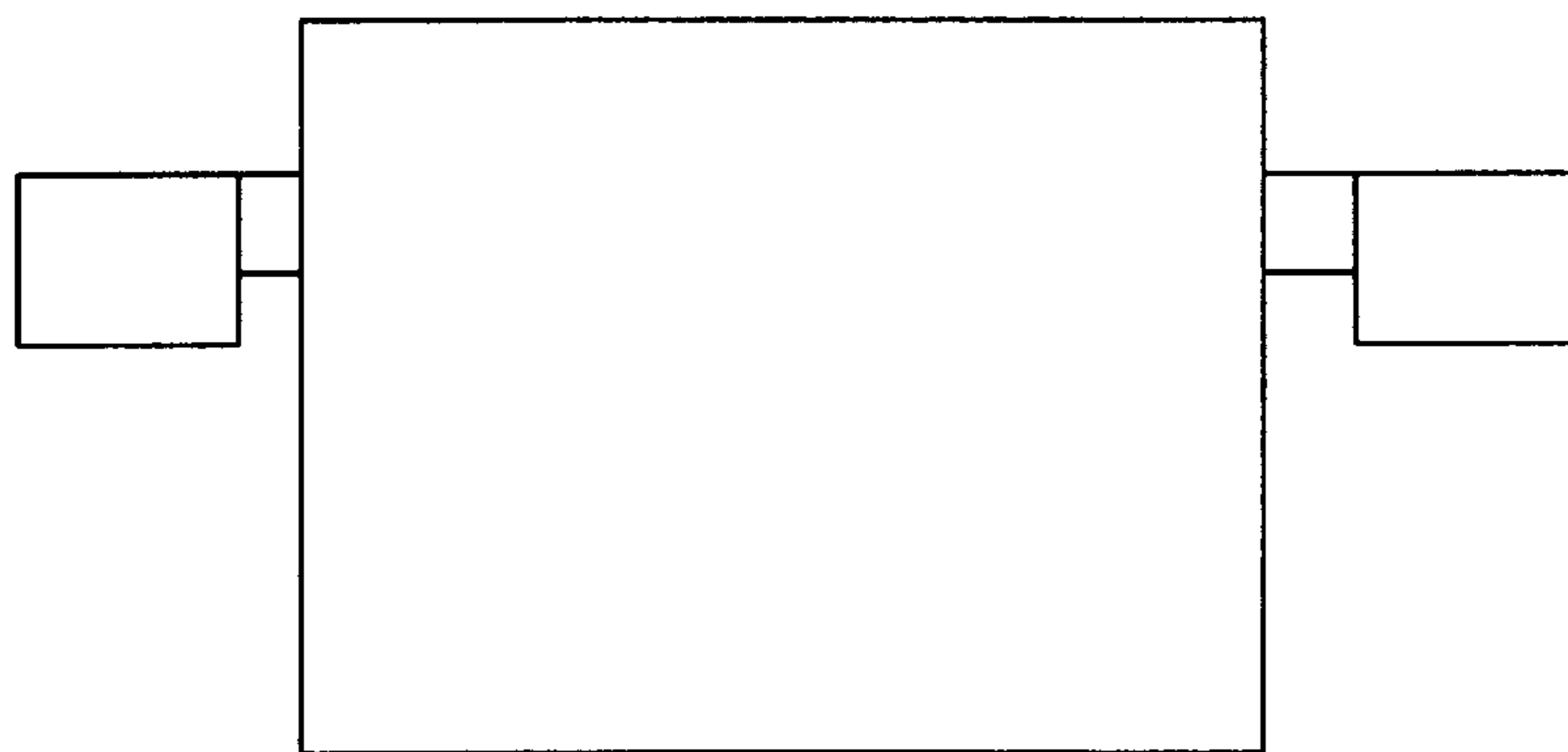


FIG. 5

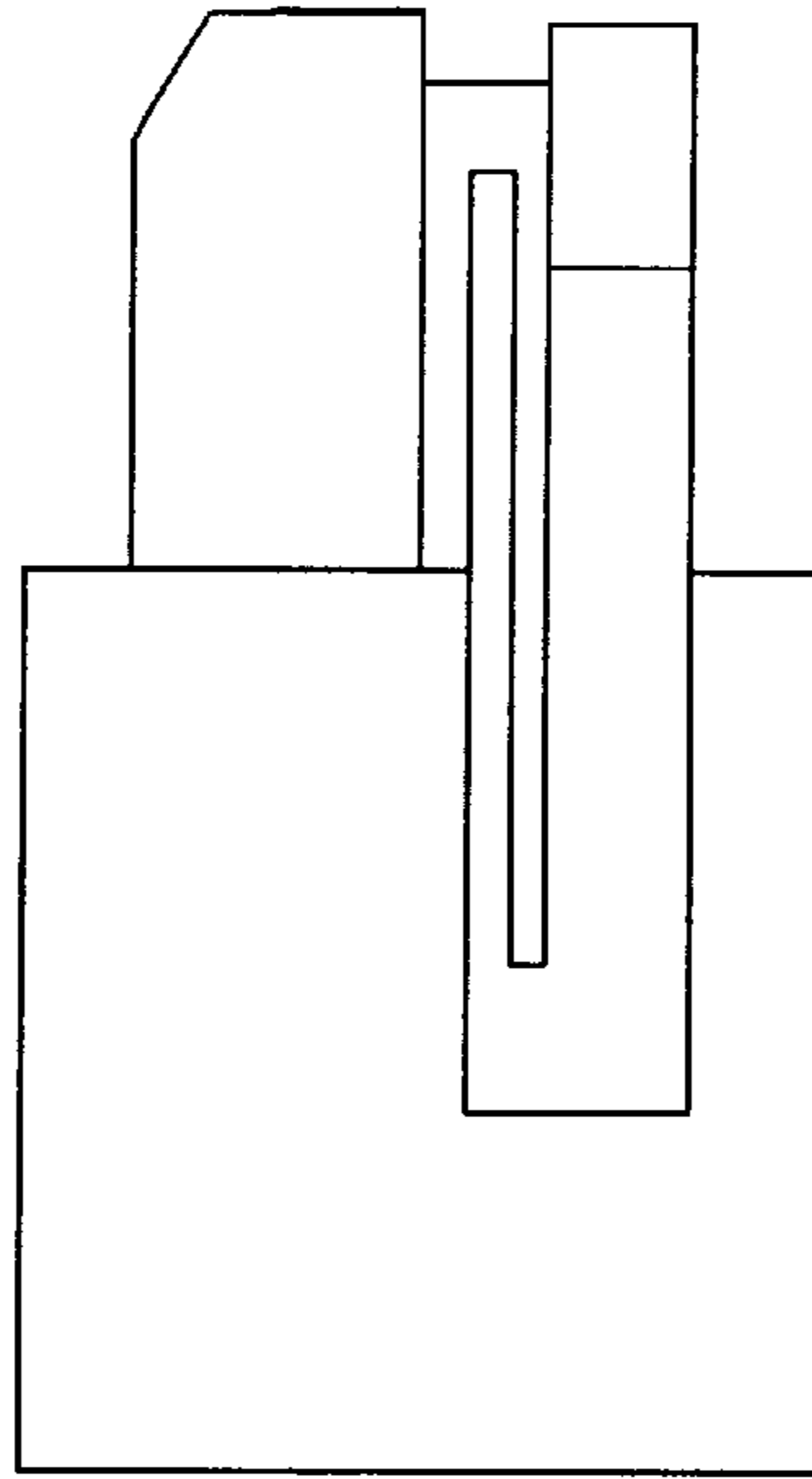


FIG. 6

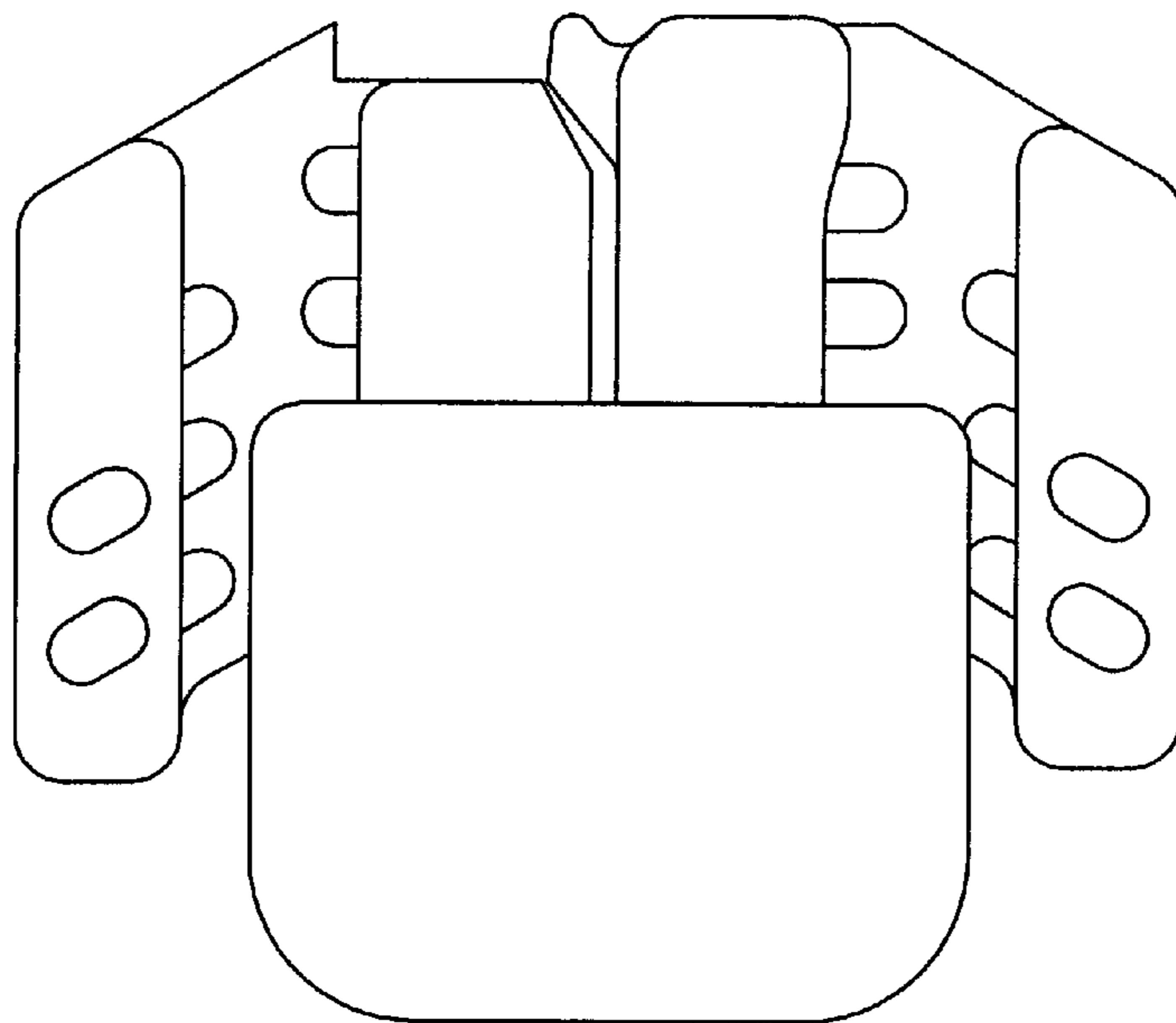


FIG. 7

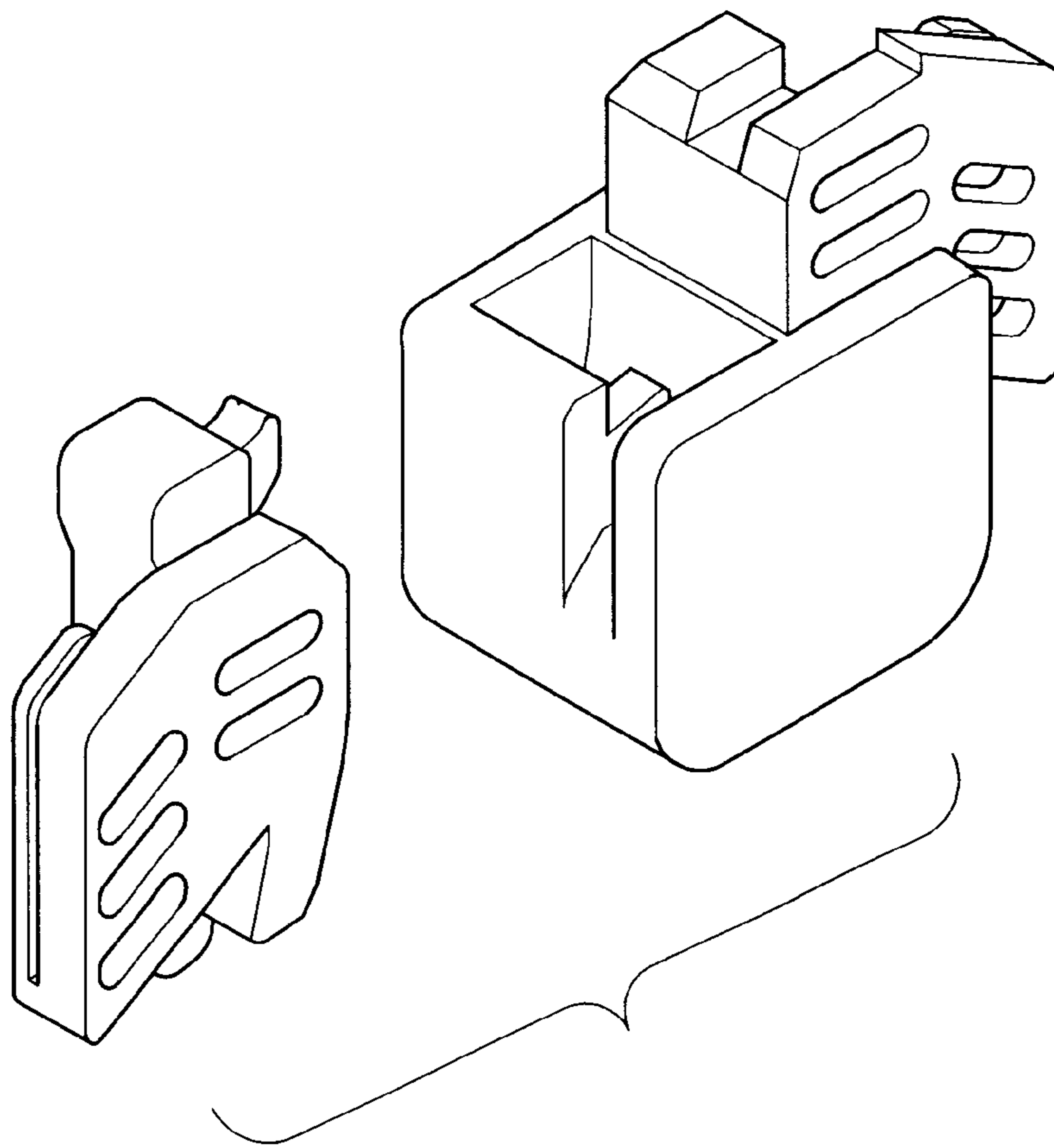


FIG. 8

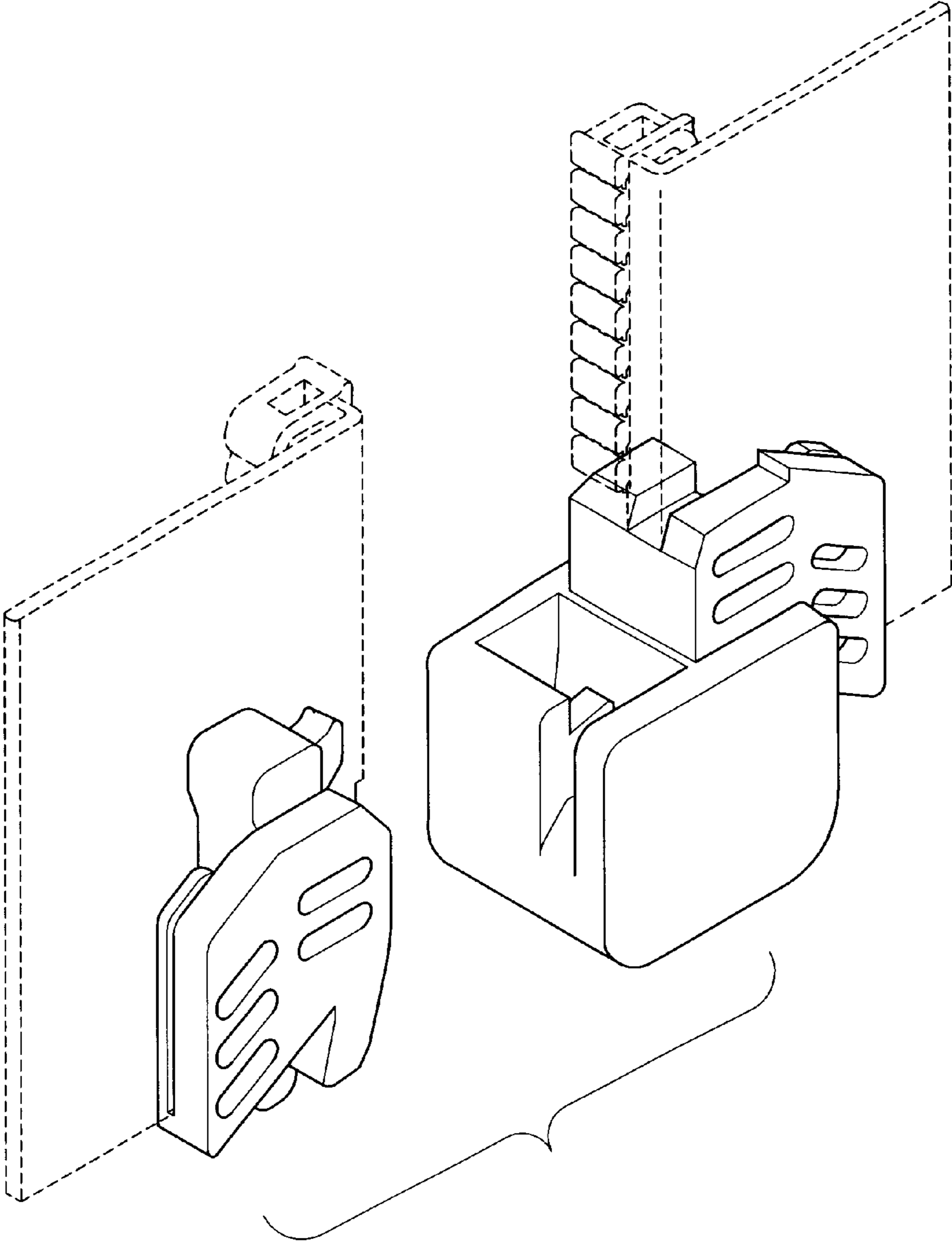


FIG. 9

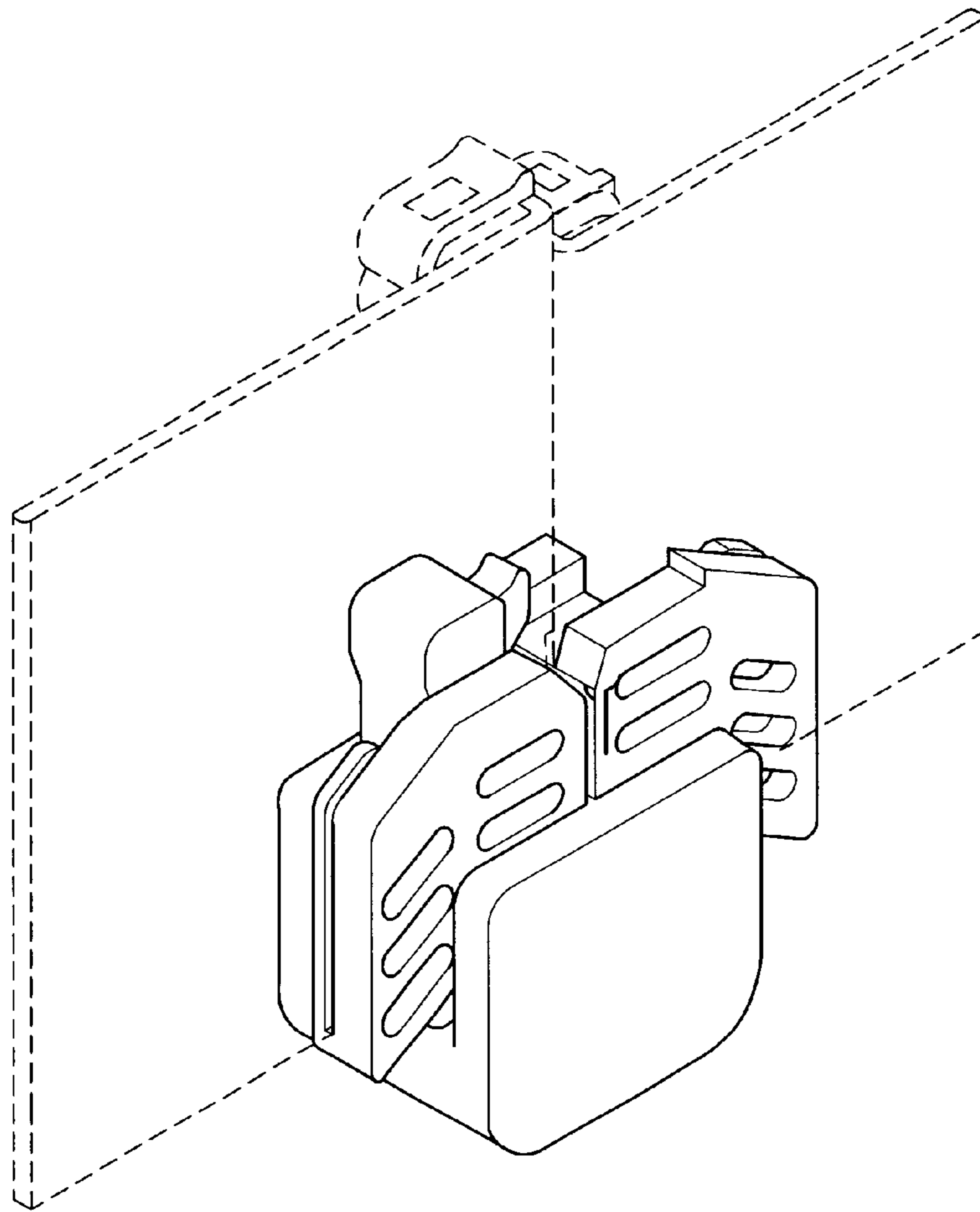


FIG. 10