

US00D528032S

(12) **United States Design Patent**
Lovegrove

(10) **Patent No.:** **US D528,032 S**

(45) **Date of Patent:** **** Sep. 12, 2006**

(54) **WATCH DIAL**

(75) **Inventor:** **Ross Lovegrove**, London (GB)

(73) **Assignee:** **Tag Heuer SA** (CH)

(**) **Term:** **14 Years**

(21) **Appl. No.:** **29/239,442**

(22) **Filed:** **Sep. 29, 2005**

(30) **Foreign Application Priority Data**

Mar. 30, 2005 (WO) DM/066 491

(51) **LOC (8) Cl.** **10-07**

(52) **U.S. Cl.** **D10/126**

(58) **Field of Classification Search** D10/30-39,
D10/123-126; 368/276, 277, 281-283, 285,
368/10, 21, 28-30, 223, 228, 239-242, 232
See application file for complete search history.

(56) **References Cited**

U.S. PATENT DOCUMENTS

D4,649 S *	2/1871	Gale	D10/124
D97,036 S *	9/1935	Buehrig	D10/124
2,361,563 A *	10/1944	Pellaton	368/80
5,119,349 A *	6/1992	Muto et al.	368/157
5,184,333 A *	2/1993	Caspar	368/28
D413,071 S *	8/1999	Fichter	D10/39
6,275,450 B1 *	8/2001	Makiba	368/80
D486,078 S *	2/2004	de Baschmakoff	D10/39
D497,321 S *	10/2004	Nataf	D10/126

6,826,122 B1 *	11/2004	Zaugg	368/28
D500,451 S *	1/2005	Yamamoto	D10/32
D502,880 S *	3/2005	Bernheim	D10/32
6,918,694 B1 *	7/2005	Speichinger et al.	368/190
D517,927 S *	3/2006	Enomoto et al.	D10/32

OTHER PUBLICATIONS

Wristwatches—History of a Century's Development, by Kahlert, Muhe and Brunner, copyright 1986, Schiffer Publishing, pp. 263 and 293, watches.*

* cited by examiner

Primary Examiner—Lucy Lieberman

(74) *Attorney, Agent, or Firm*—Lott & Friedland, PA

(57) **CLAIM**

The ornamental design for a watch dial, substantially as shown and described.

DESCRIPTION

FIG. 1 is a perspective view of the watch dial of the present invention;

FIG. 2 is a front view of the watch dial shown in FIG. 1;

FIG. 3 is a rear view of the watch dial shown in FIG. 1;

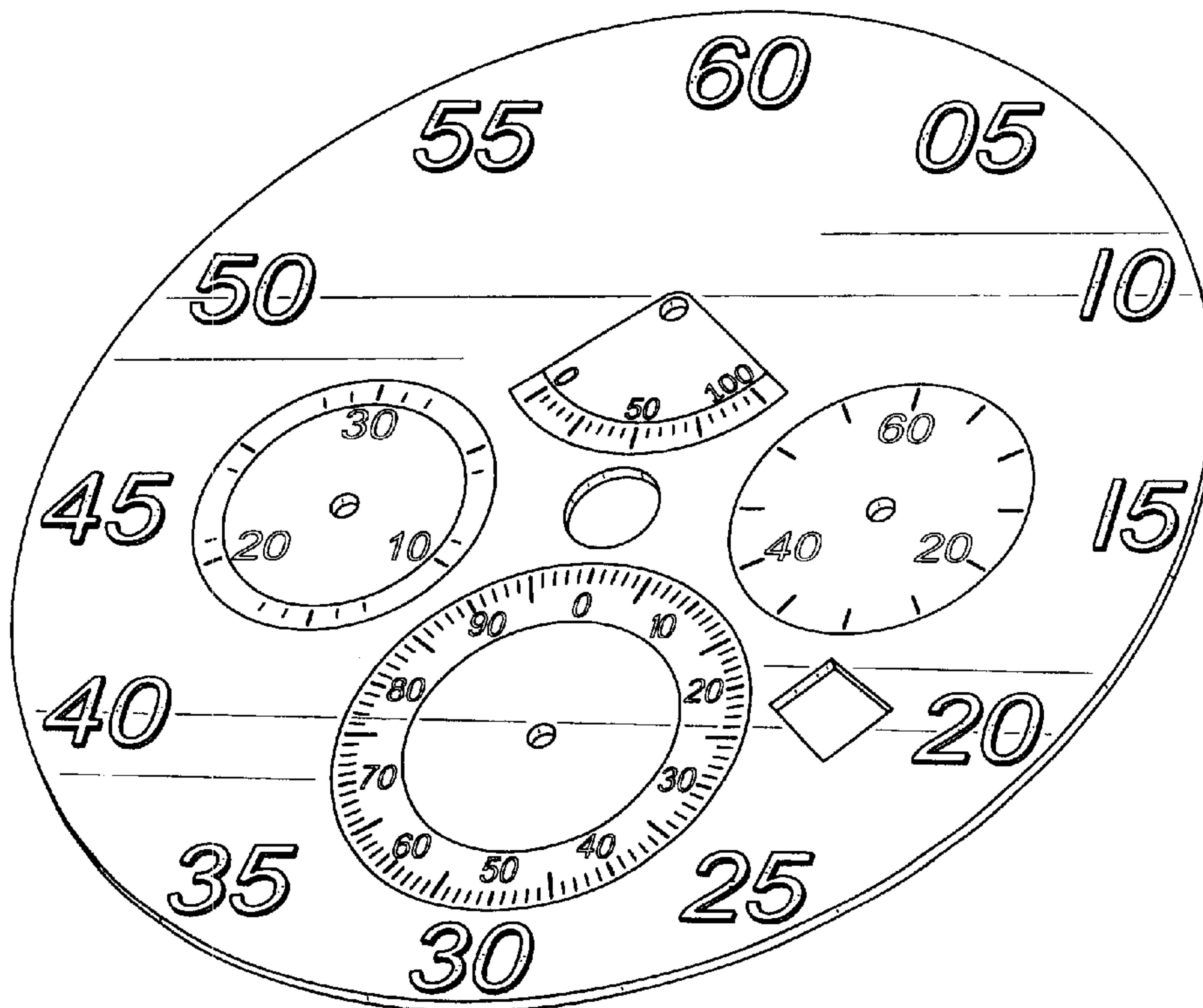
FIG. 4 is a left side elevational view of the watch dial shown in FIG. 1;

FIG. 5 is a right side elevational view of the watch dial shown in FIG. 1;

FIG. 6 is a top view of the watch dial shown in FIG. 1; and,

FIG. 7 is a bottom view of the watch dial shown in FIG. 1.

1 Claim, 5 Drawing Sheets



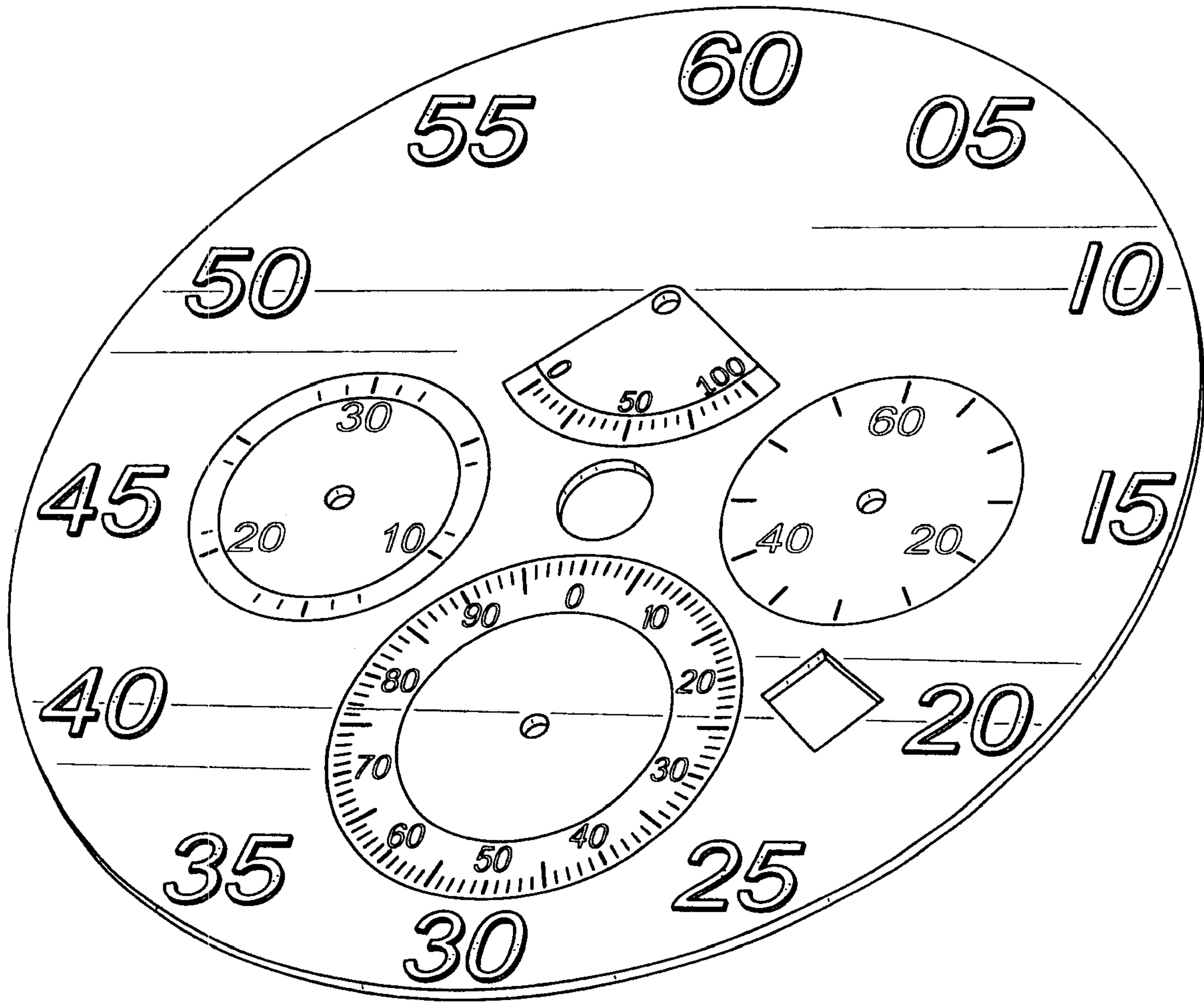


FIG. 1

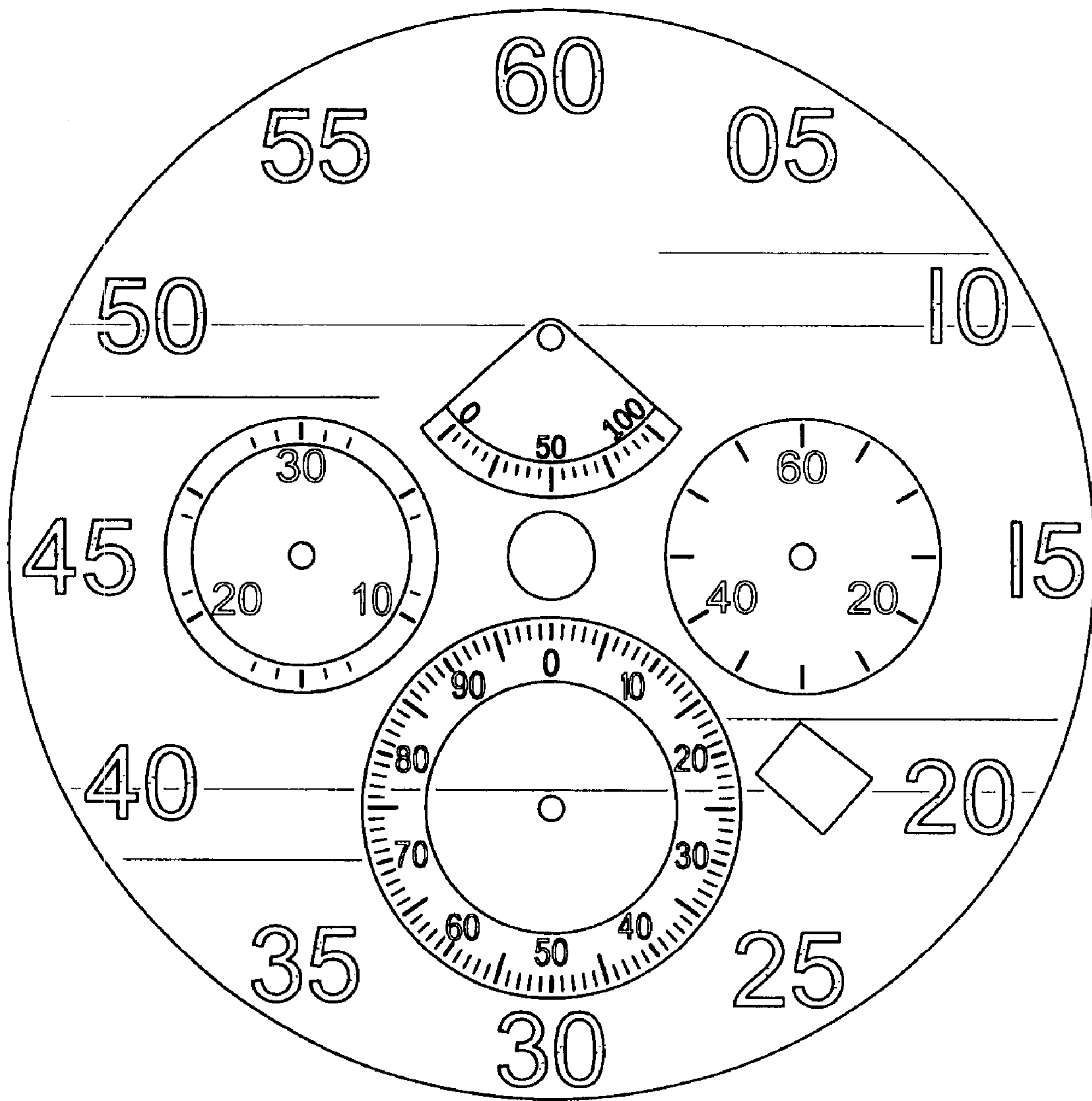


FIG. 2

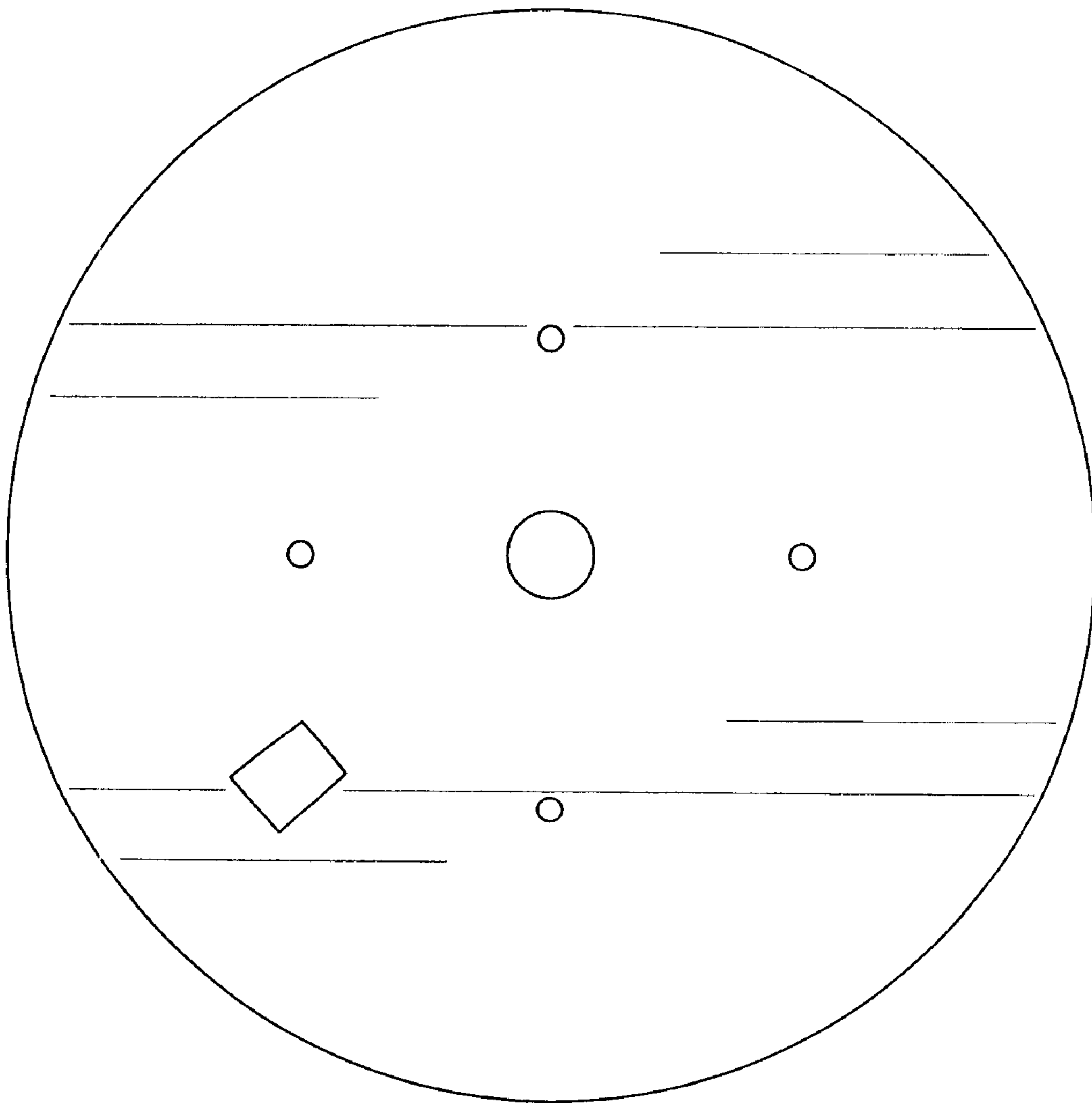


FIG. 3



FIG. 4



FIG. 5



FIG. 6



FIG. 7