

US00D528029S

(12) **United States Design Patent**
Cronin et al.

(10) **Patent No.:** **US D528,029 S**
(45) **Date of Patent:** **** Sep. 12, 2006**

(54) **MOTION RATE SENSOR HOUSING**

(75) Inventors: **Nigel Cronin**, Bath (GB); **Chris Padain**, Bristol (GB)

(73) Assignee: **Microsulis Limited**, Hampshire (GB)

(**) Term: **14 Years**

(21) Appl. No.: **29/215,300**

(22) Filed: **Oct. 15, 2004**

(30) **Foreign Application Priority Data**

Apr. 16, 2004 (EM) 000166871
Apr. 23, 2004 (EM) 000169404

(51) **LOC (8) Cl.** **10-04**

(52) **U.S. Cl.** **D10/96**

(58) **Field of Classification Search** D10/96,
D10/46; 606/102; 701/1, 37; 702/62
See application file for complete search history.

(56) **References Cited**

U.S. PATENT DOCUMENTS

5,953,683 A * 9/1999 Hansen et al. 702/95
2005/0021044 A1 * 1/2005 Stone et al. 606/102
2005/0043907 A1 * 2/2005 Eckel et al. 702/62

* cited by examiner

Primary Examiner—Antoine D. Davis

(74) *Attorney, Agent, or Firm*—Cesari and McKenna, LLP

(57) **CLAIM**

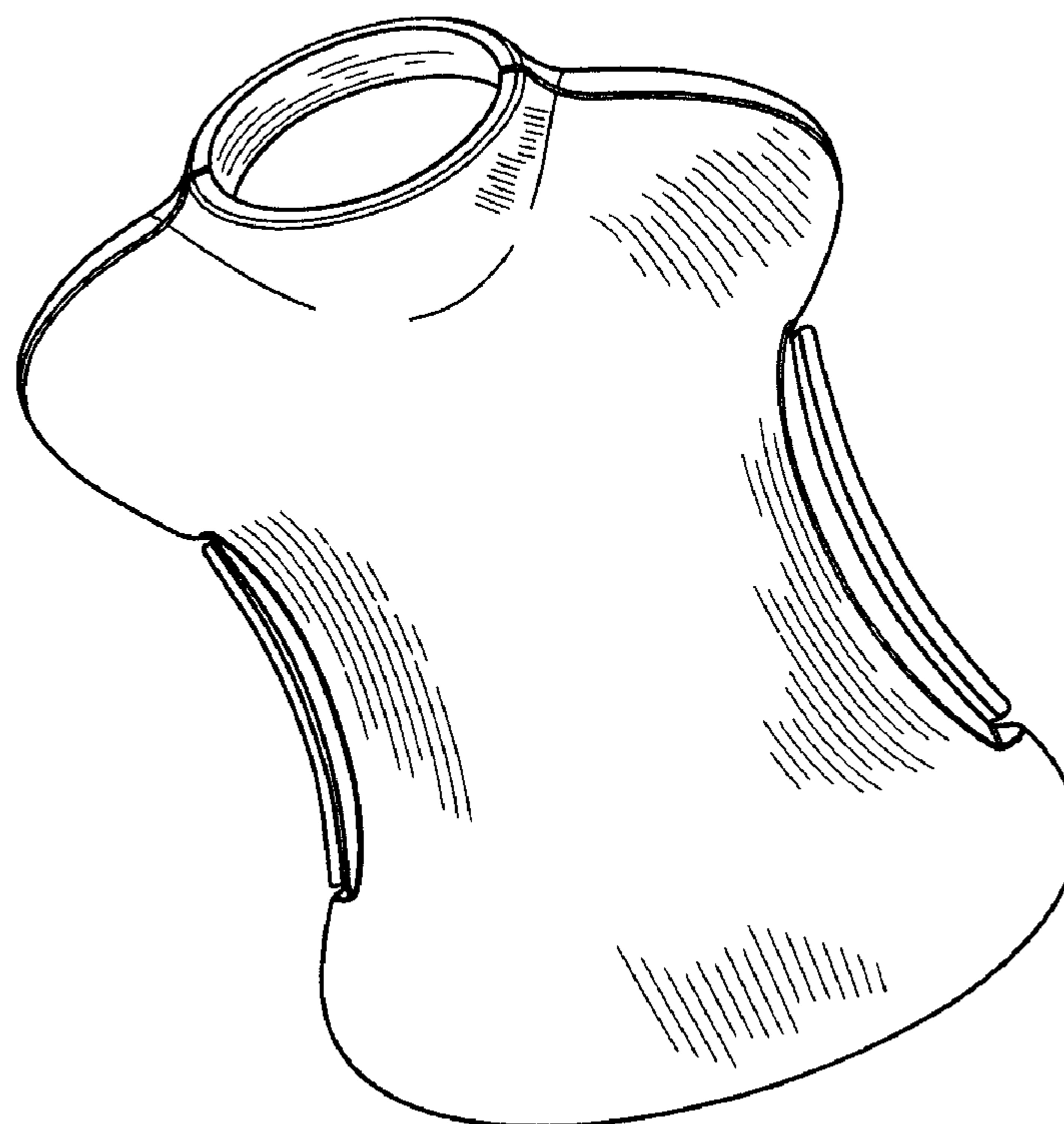
The ornamental design for a motion rate sensor housing, as shown and described.

DESCRIPTION

FIG. 1 is a perspective view of a motion rate sensor housing; FIG. 2 is a top view of the motion rate sensor housing; FIG. 3 is a bottom view of the motion rate sensor housing; FIG. 4 is a side view of the motion rate sensor housing; FIG. 5 is a side view of another side of the motion rate sensor housing; FIG. 6 is a front view of the motion rate sensor housing; FIG. 7 is a rear view of the motion rate sensor housing; FIG. 8 is a top perspective view of the motion rate sensor housing; FIG. 9 is another top view of the motion rate sensor housing; FIG. 10 is another bottom view of the motion rate sensor housing; FIG. 11 is another side view of the motion rate sensor housing; FIG. 12 is another side of the motion rate sensor housing; FIG. 13 is another front view of the motion rate sensor housing; FIG. 14 is another rear view of the motion rate sensor housing; and, FIG. 15 is another perspective view of the motion rate sensor housing in an alternate position.

The broken lines showing environment in FIGS. 8–14 are for illustrative purposes only and form no part of the claimed design.

1 Claim, 11 Drawing Sheets



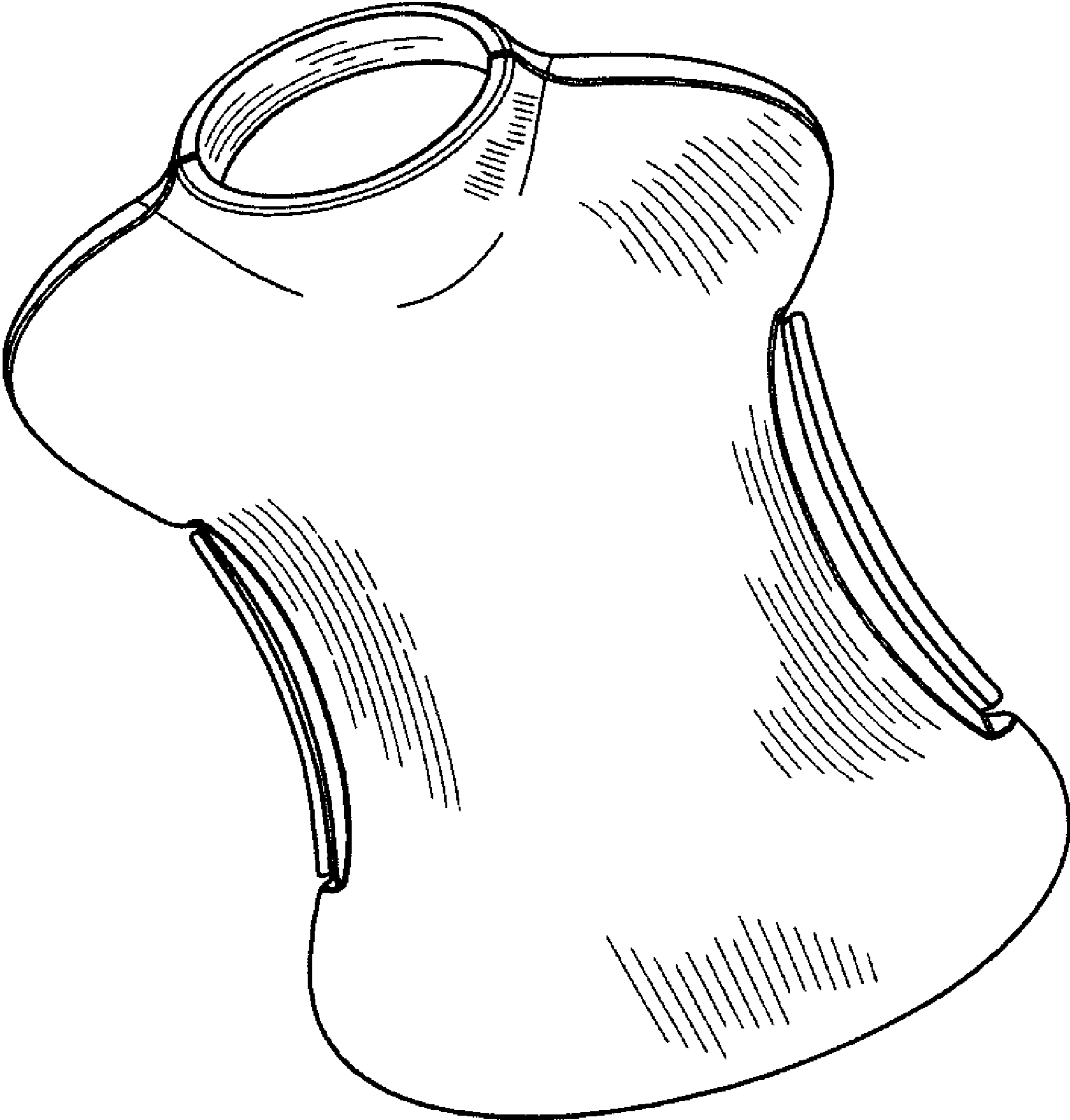


FIG. 1

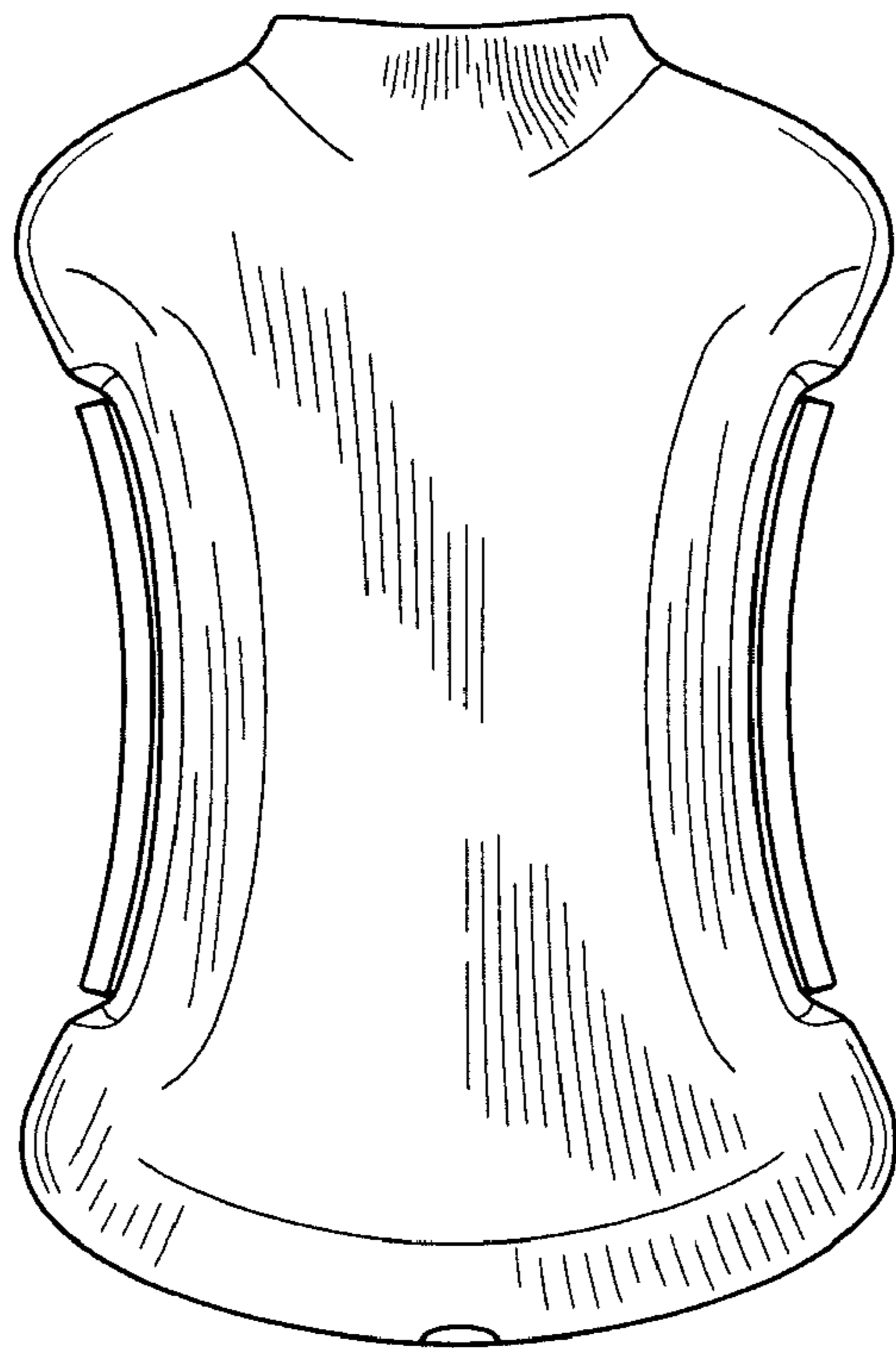


FIG. 2

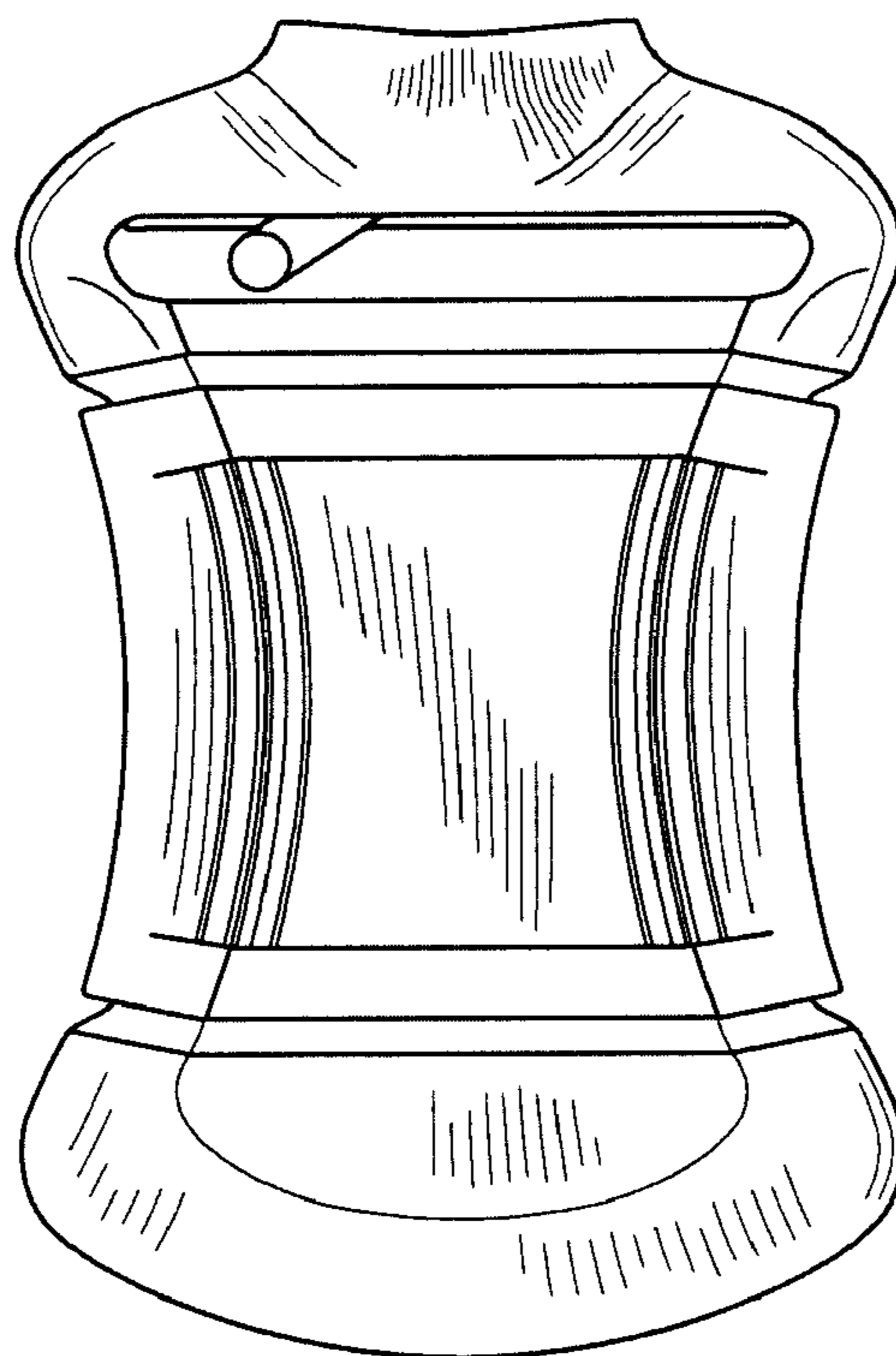


FIG. 3

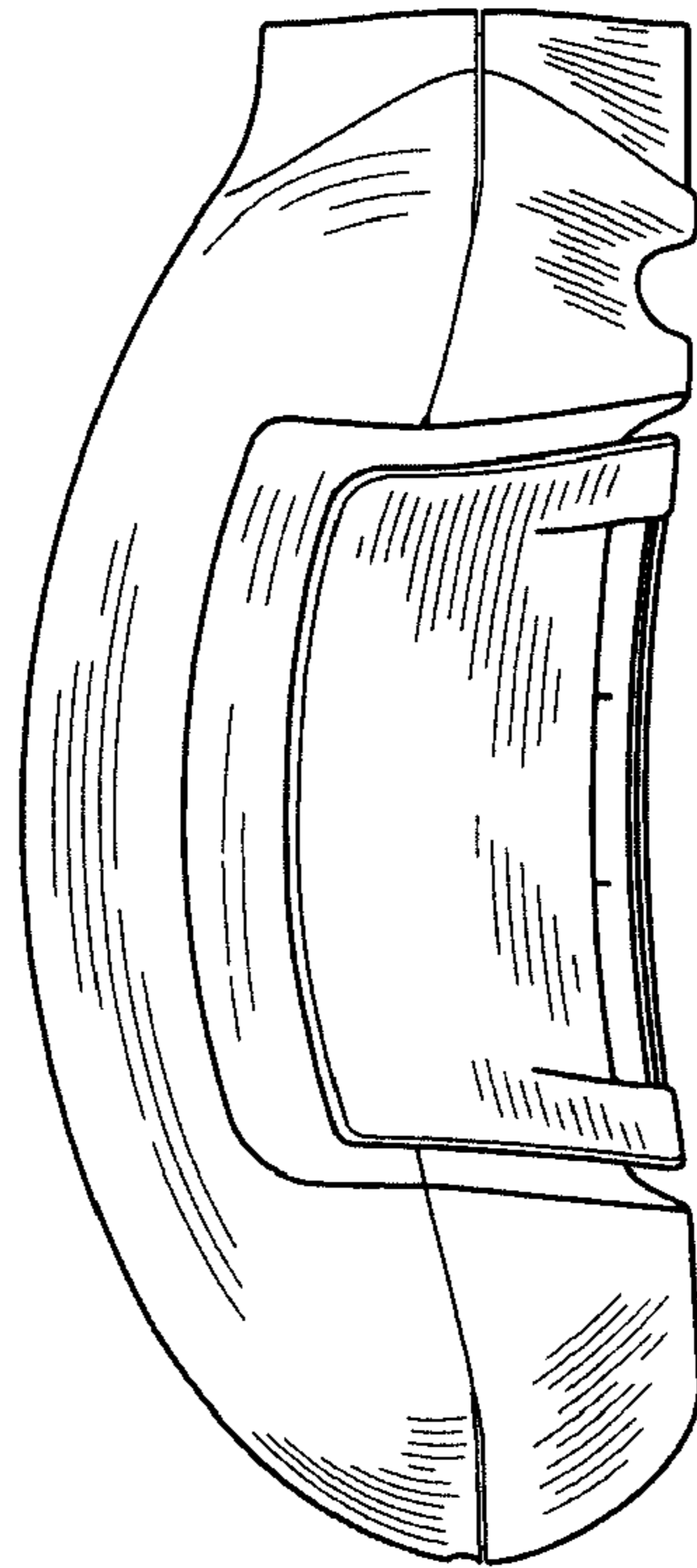


FIG. 4

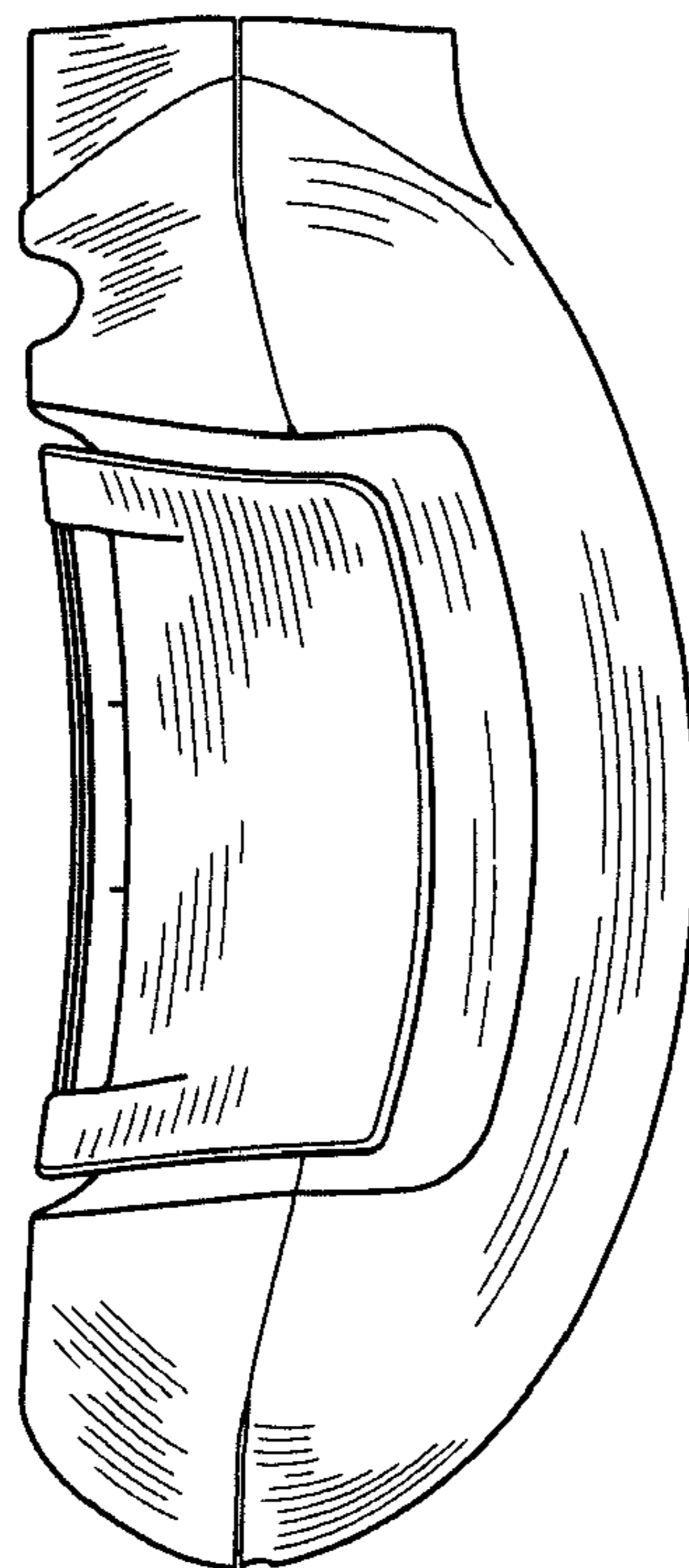


FIG. 5

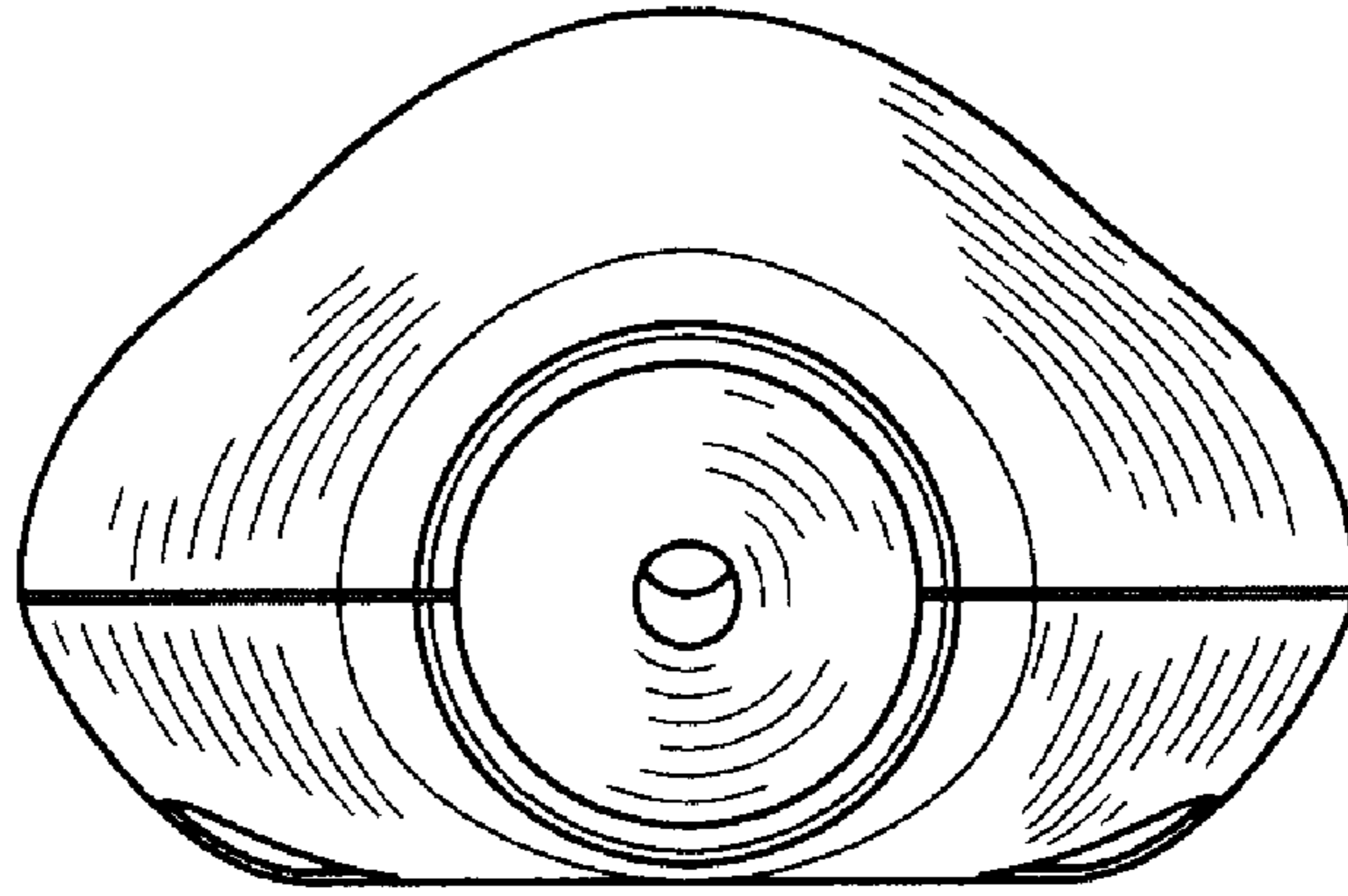


FIG. 6

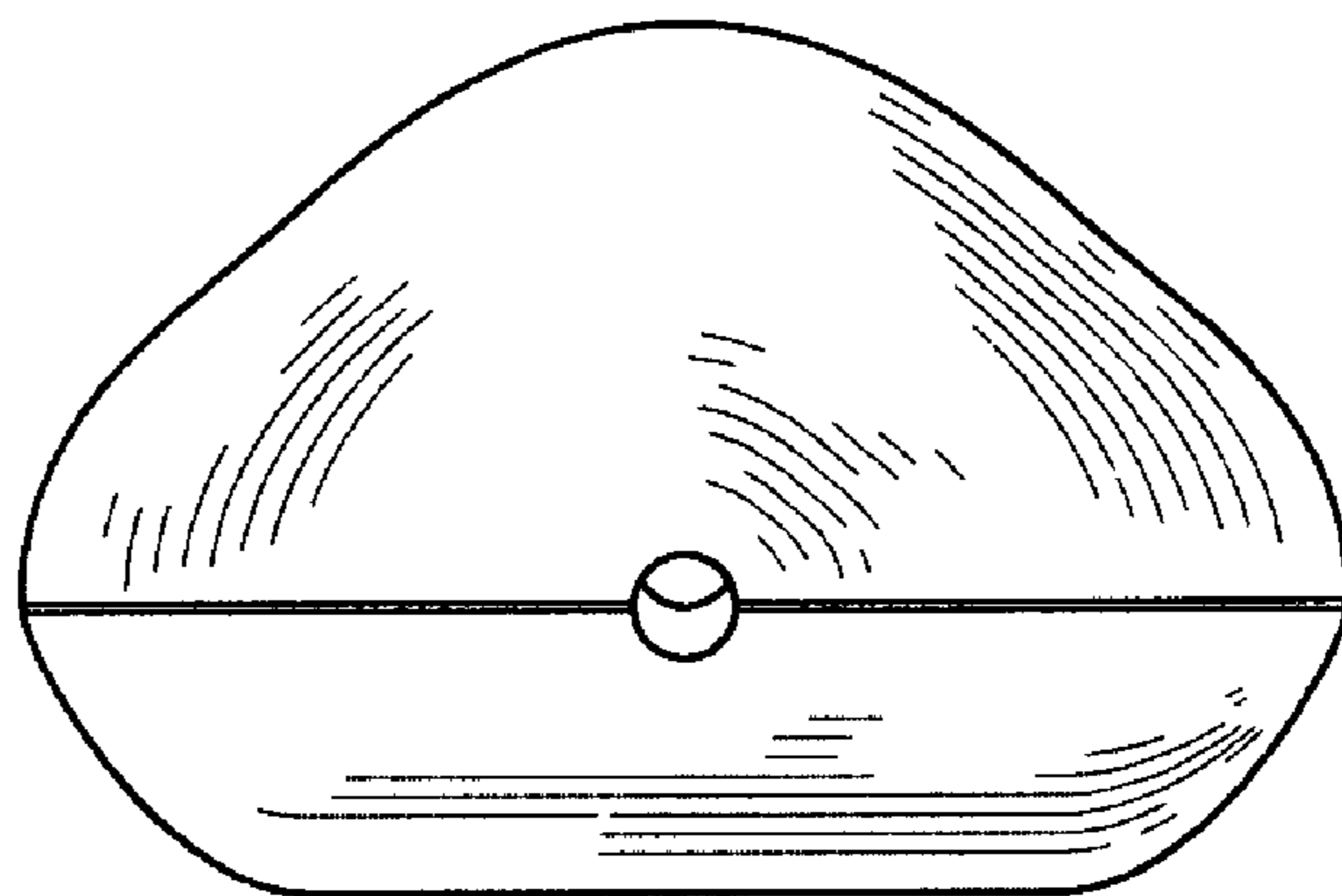


FIG. 7

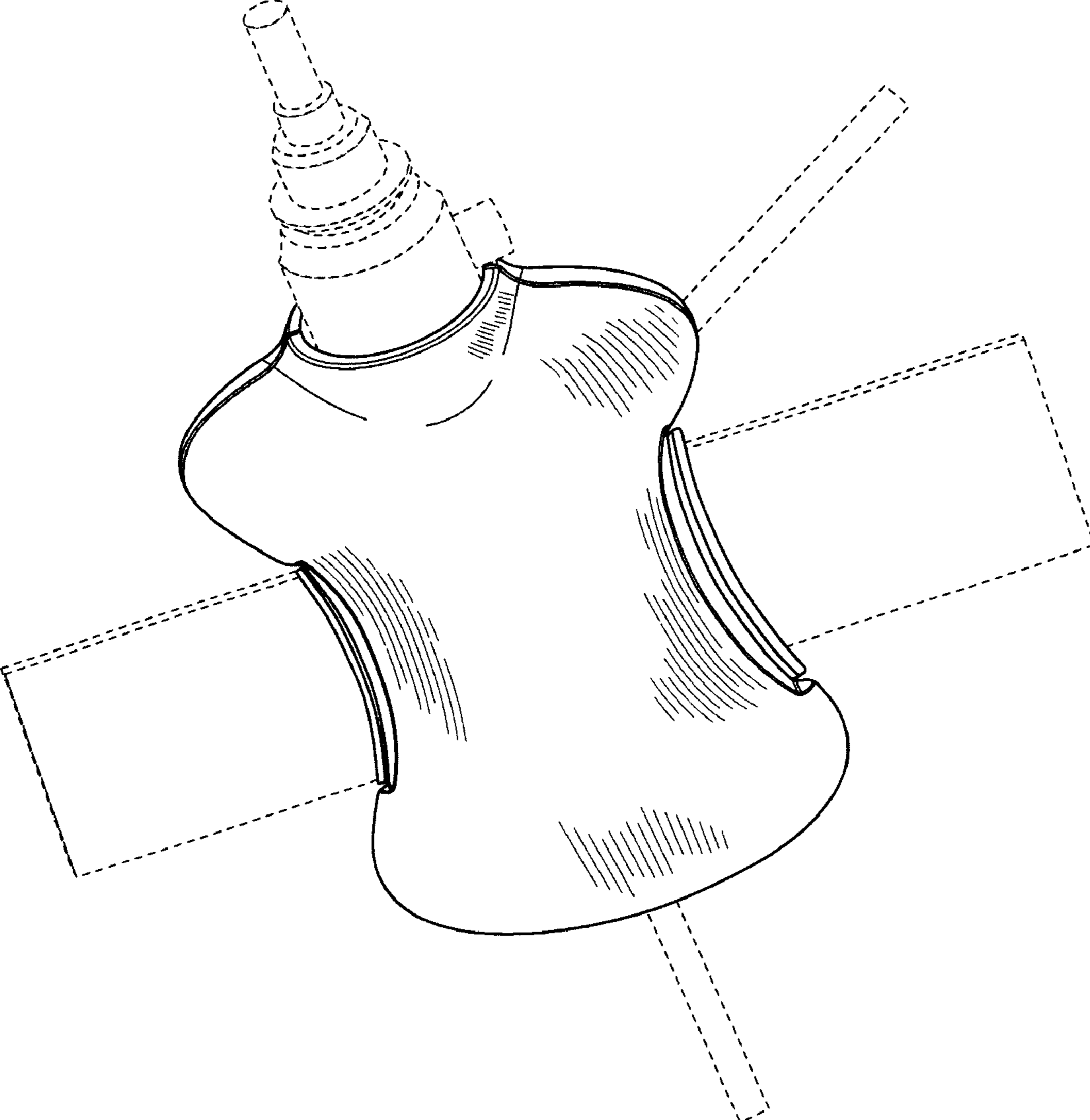


FIG. 8

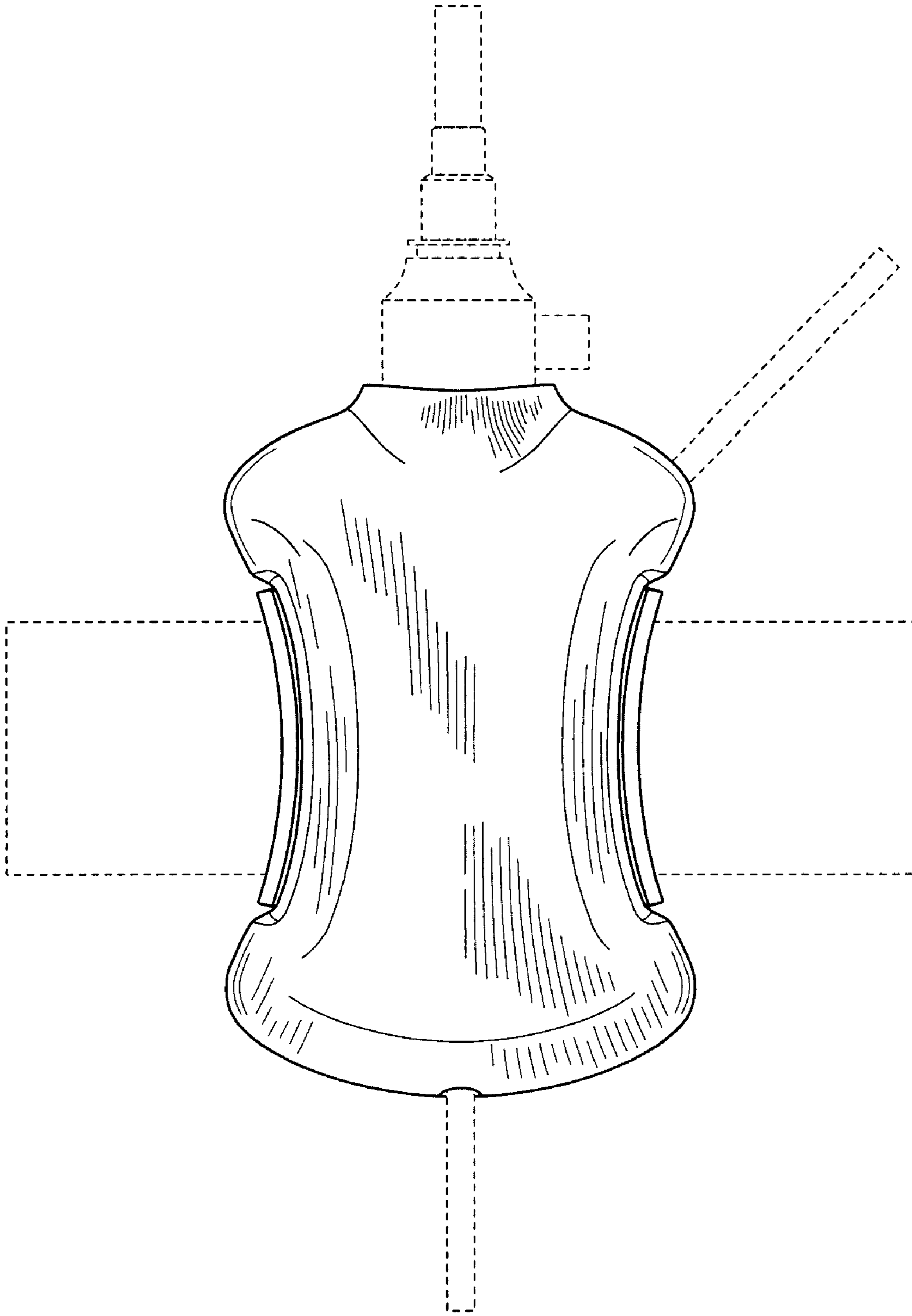


FIG. 9

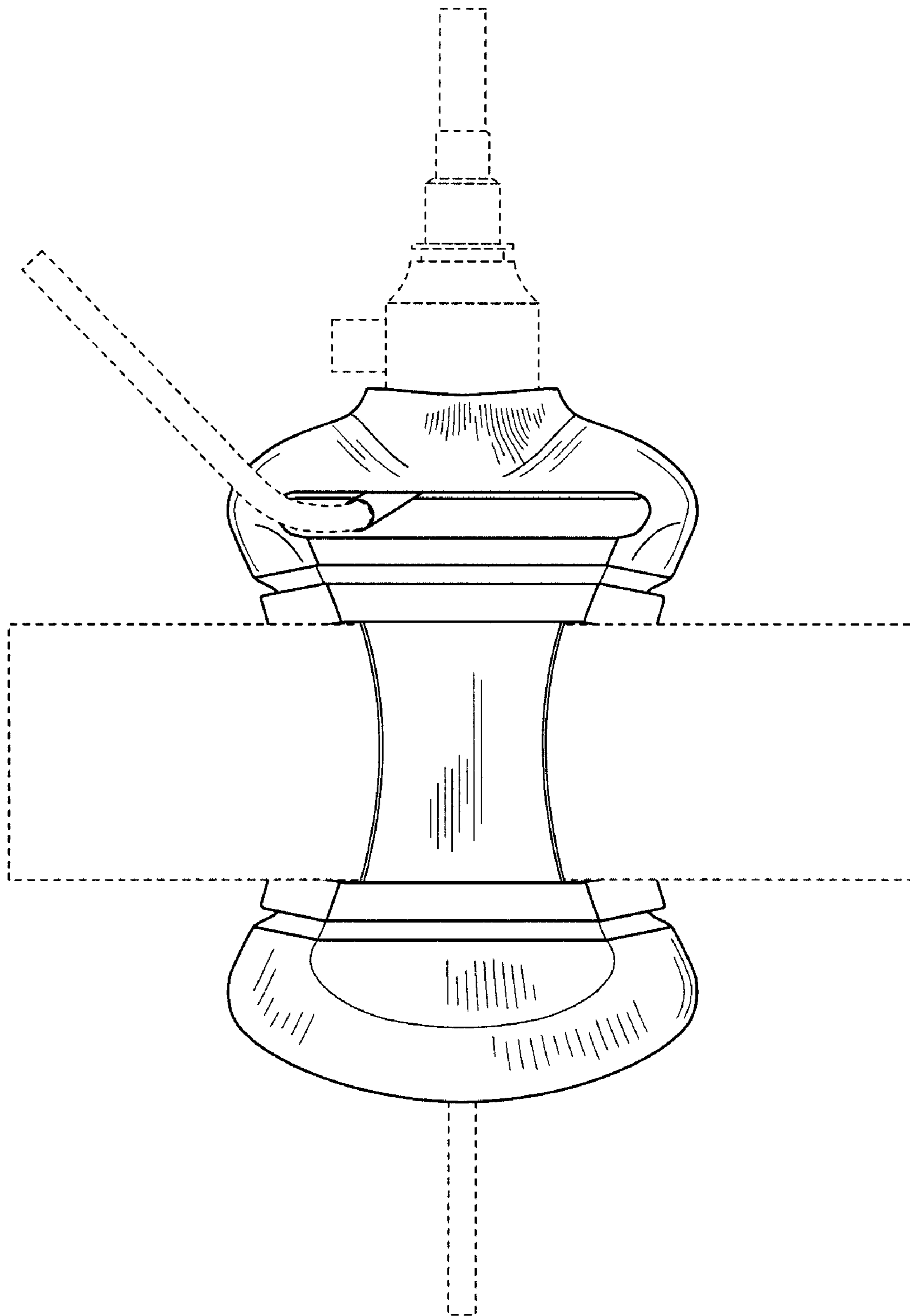


FIG. 10

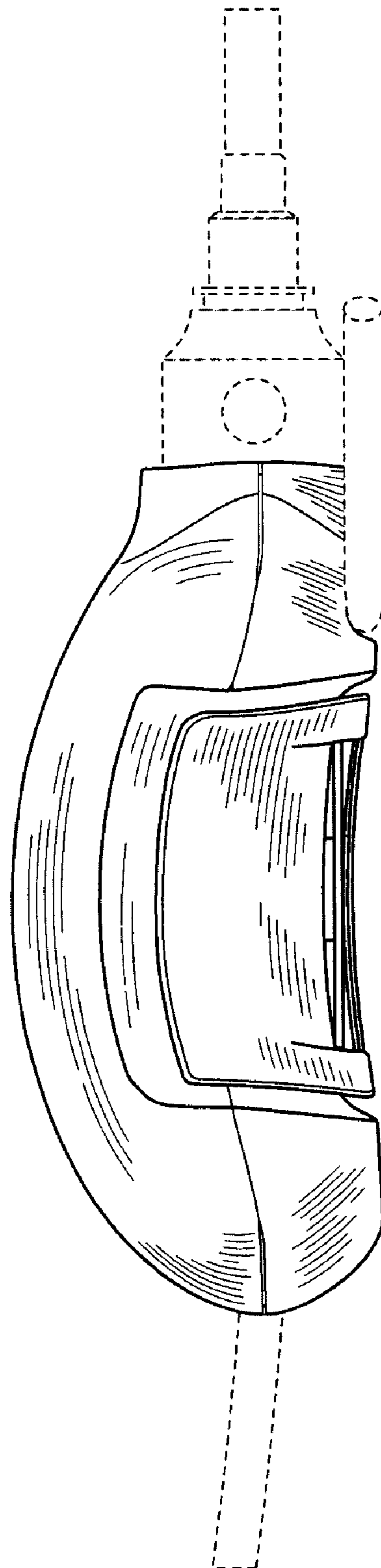


FIG. 11

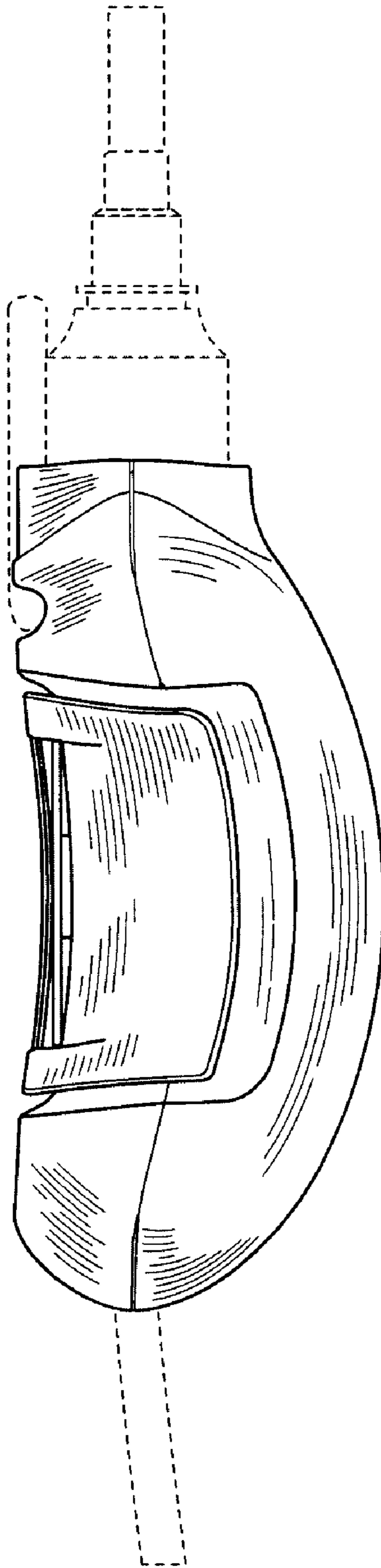


FIG. 12

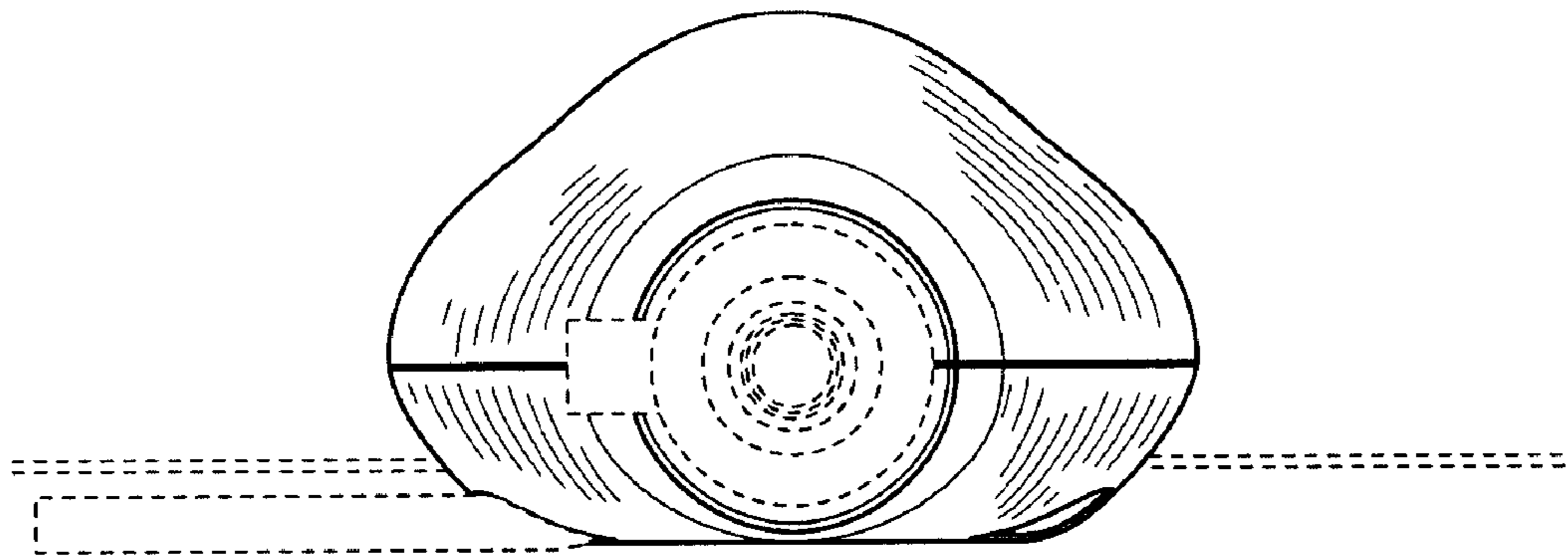


FIG. 13

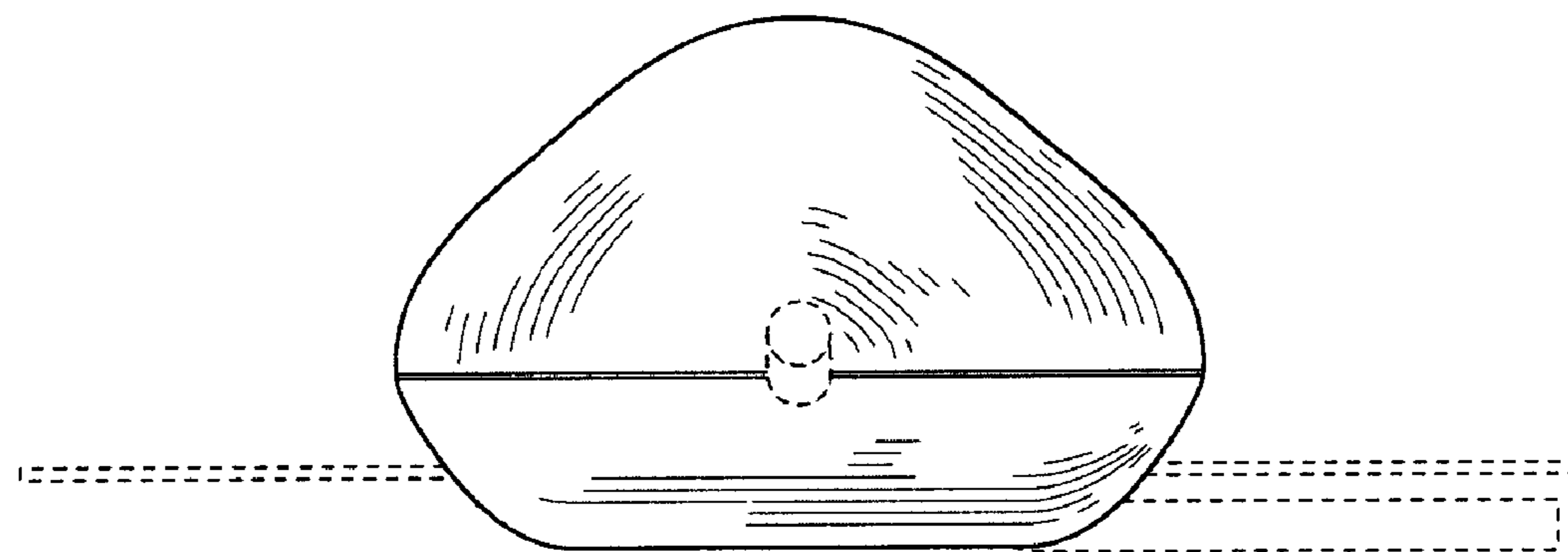


FIG. 14

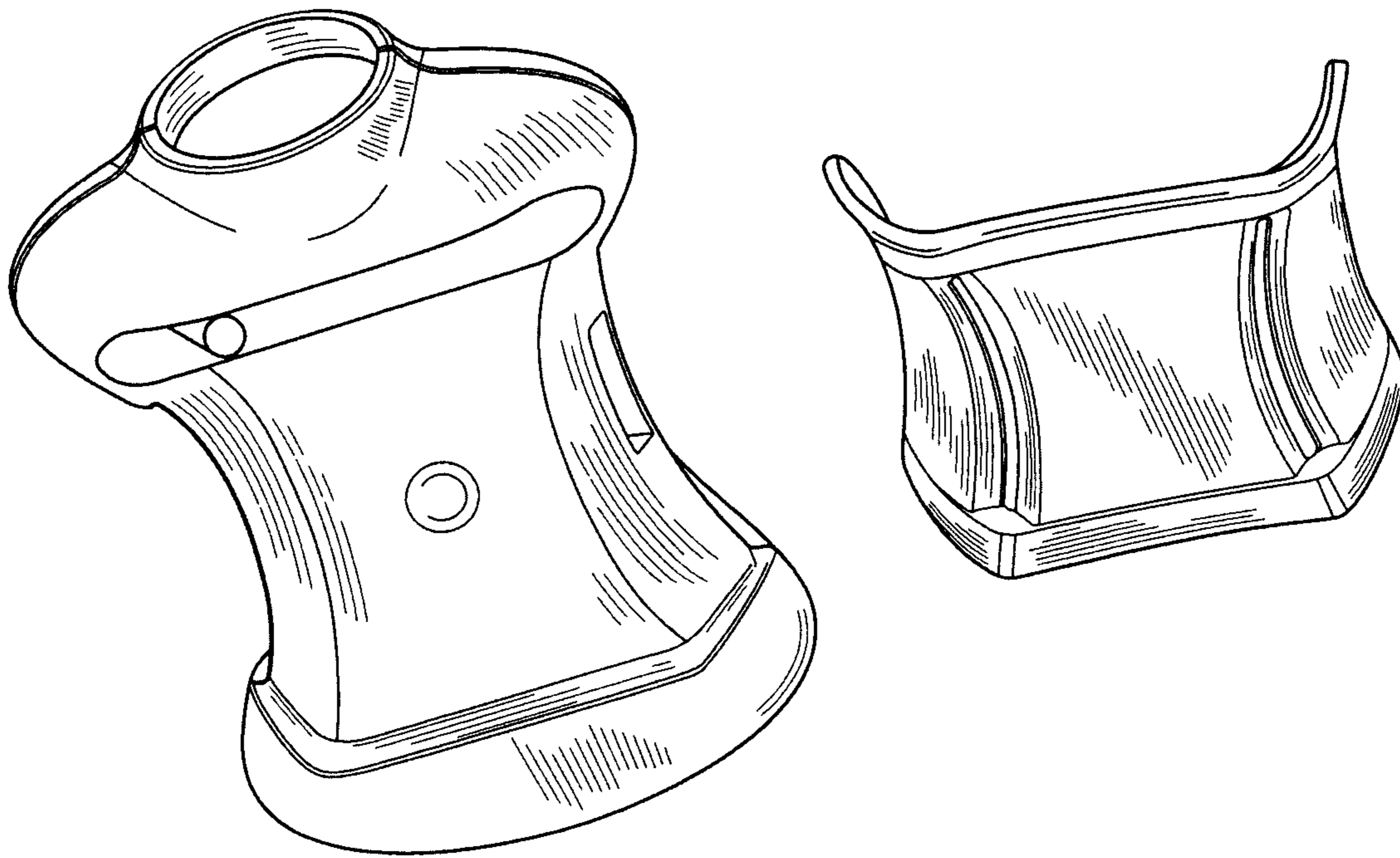


FIG. 15