



US00D528027S

(12) **United States Design Patent**
Hung

(10) **Patent No.:** **US D528,027 S**

(45) **Date of Patent:** **** Sep. 12, 2006**

(54) **WIRELESS TIRE PRESSURE RECEIVER**

6,507,276 B1 * 1/2003 Young et al. 340/447
6,864,436 B1 * 3/2005 Nobes et al. 340/666

(75) Inventor: **Ching-Chung Hung**, Nan-Tou Hsien (TW)

* cited by examiner

(73) Assignee: **Universal Scientific Industrial Co., Ltd.**, Nan-Tou Hsien (TW)

Primary Examiner—Antoine D. Davis

Assistant Examiner—Patricia Palasik

(74) *Attorney, Agent, or Firm*—Baker Botts L.L.P.

(**) Term: **14 Years**

(57) **CLAIM**

(21) Appl. No.: **29/217,305**

The ornamental design for wireless tire pressure receiver, as shown and described.

(22) Filed: **Nov. 17, 2004**

DESCRIPTION

(51) **LOC (8) Cl.** **10-04**

(52) **U.S. Cl.** **D10/86**

(58) **Field of Classification Search** D10/86;
73/146.2; 340/442, 447, 539.1, 825.69; 701/2
See application file for complete search history.

FIG. 1 is a perspective view of wireless tire pressure receiver showing my new design;

FIG. 2 is a front elevational view thereof;

FIG. 3 is a rear elevational view thereof;

FIG. 4 is a left side elevational view thereof;

FIG. 5 is a right side elevational view thereof;

FIG. 6 is a top plan view thereof; and

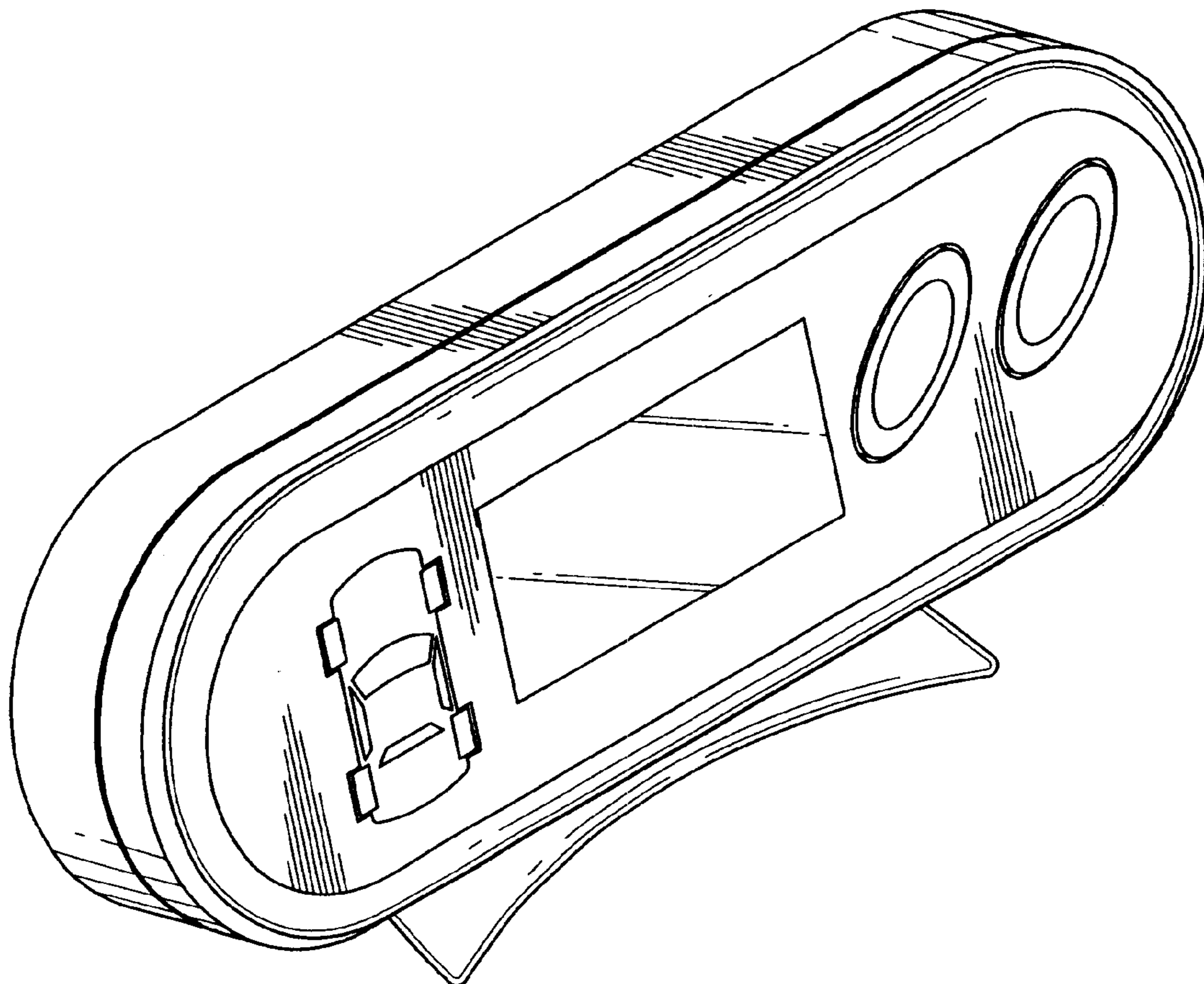
FIG. 7 is a bottom plan view thereof.

(56) **References Cited**

U.S. PATENT DOCUMENTS

D417,871 S * 12/1999 Hisatsune D14/188

1 Claim, 4 Drawing Sheets



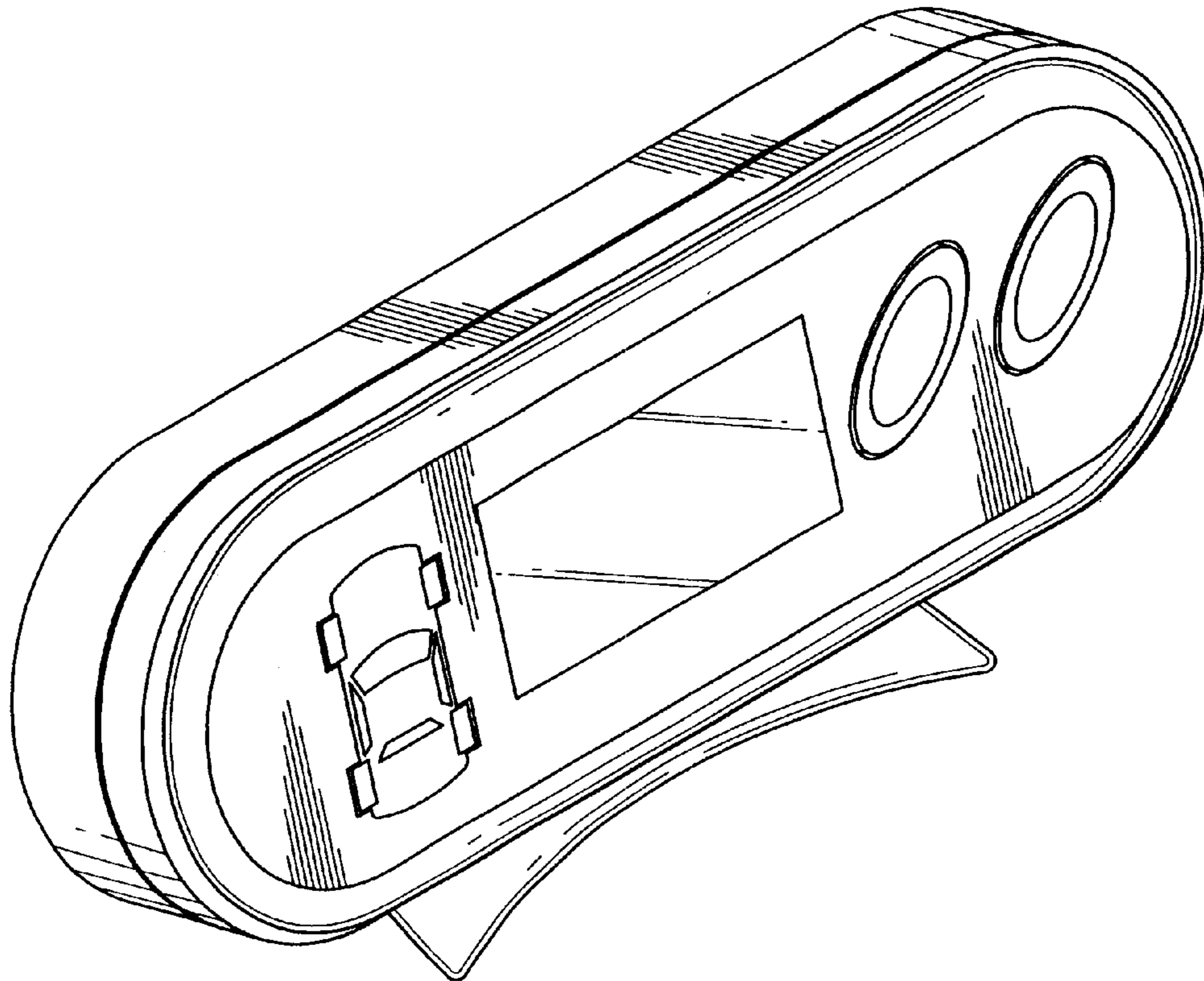


FIG. 1

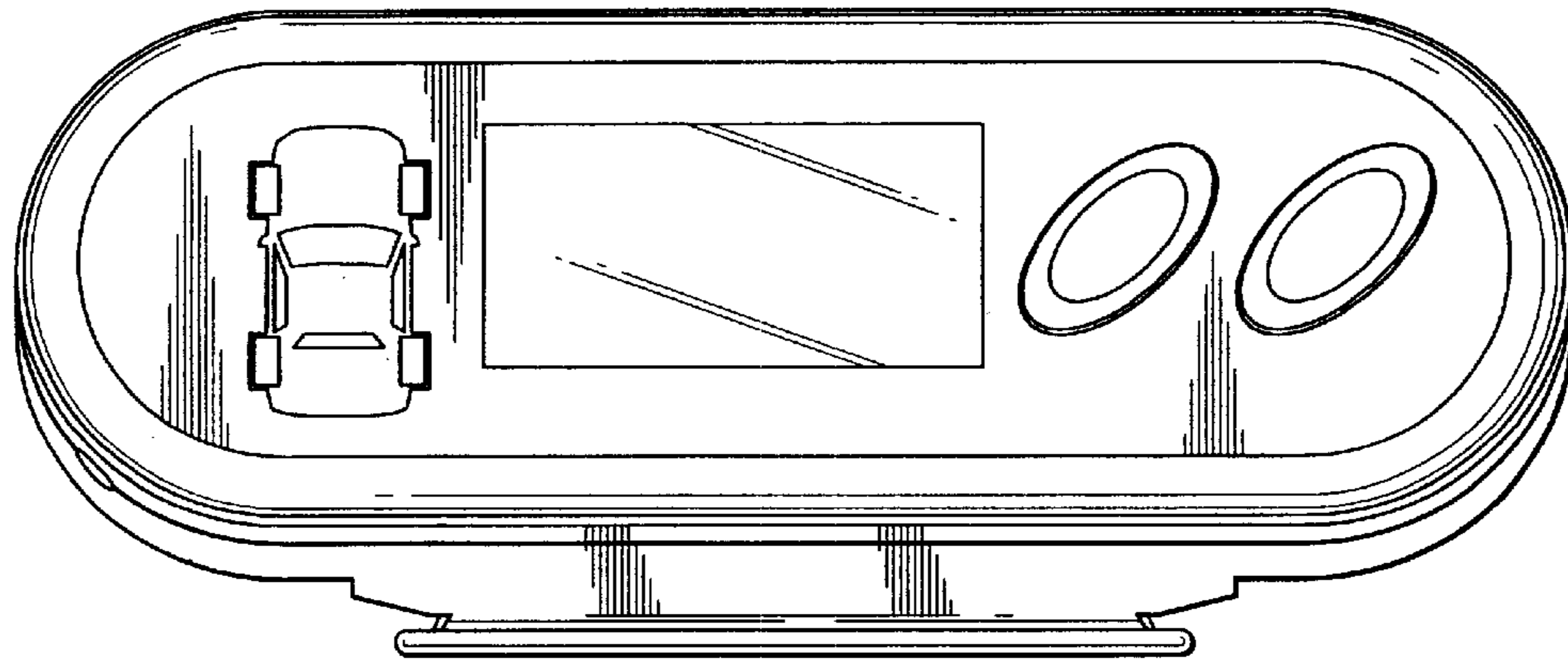


FIG. 2

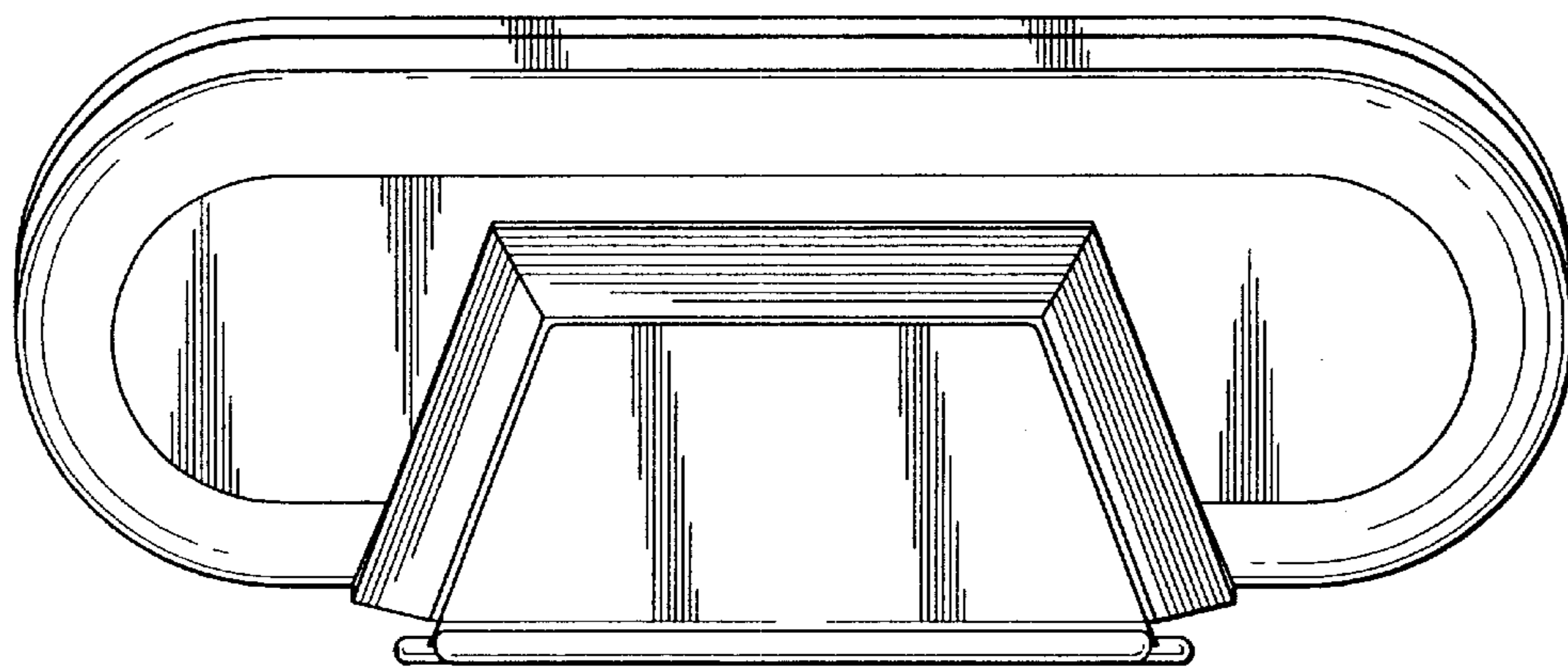


FIG. 3

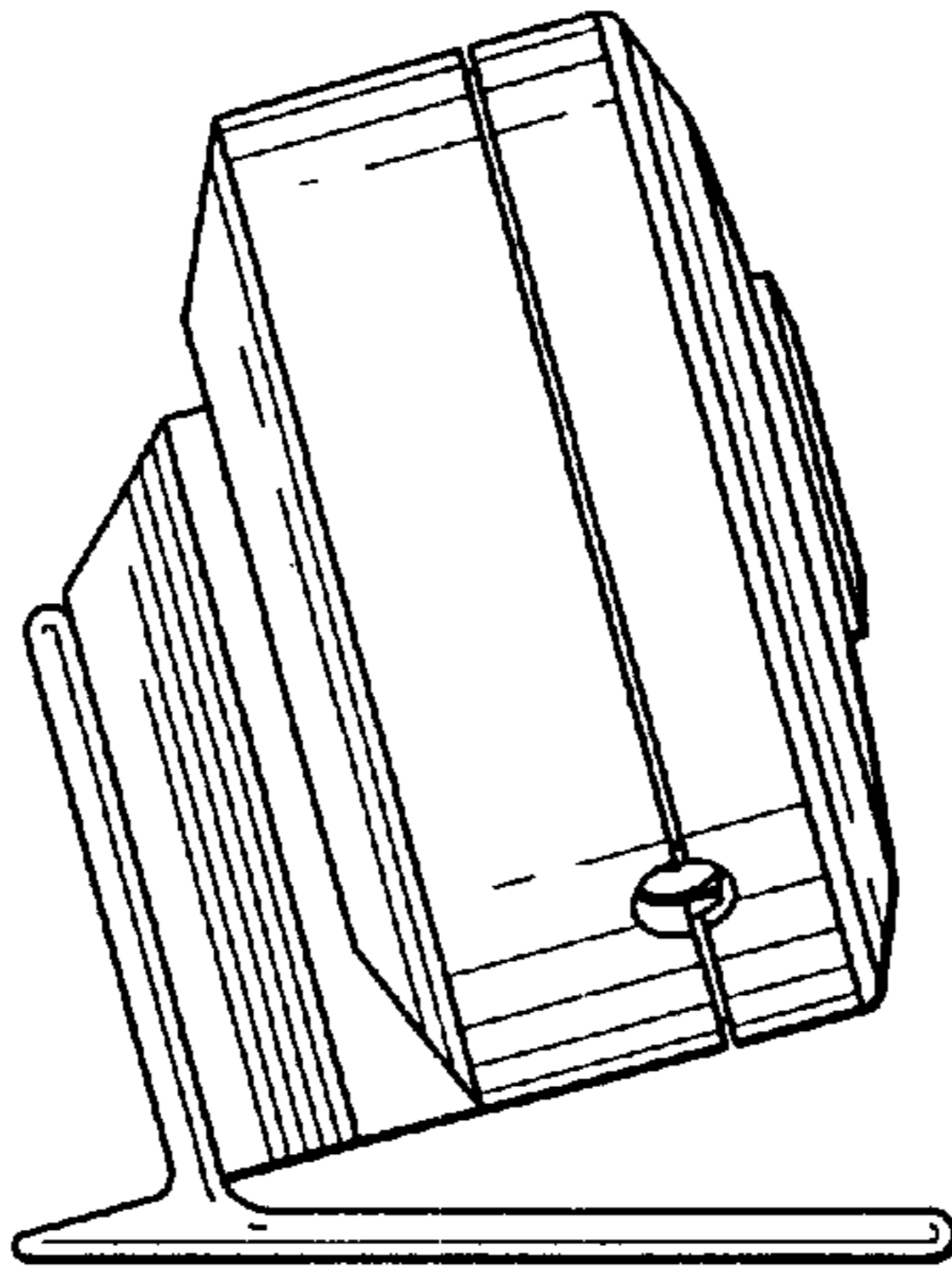


FIG. 4

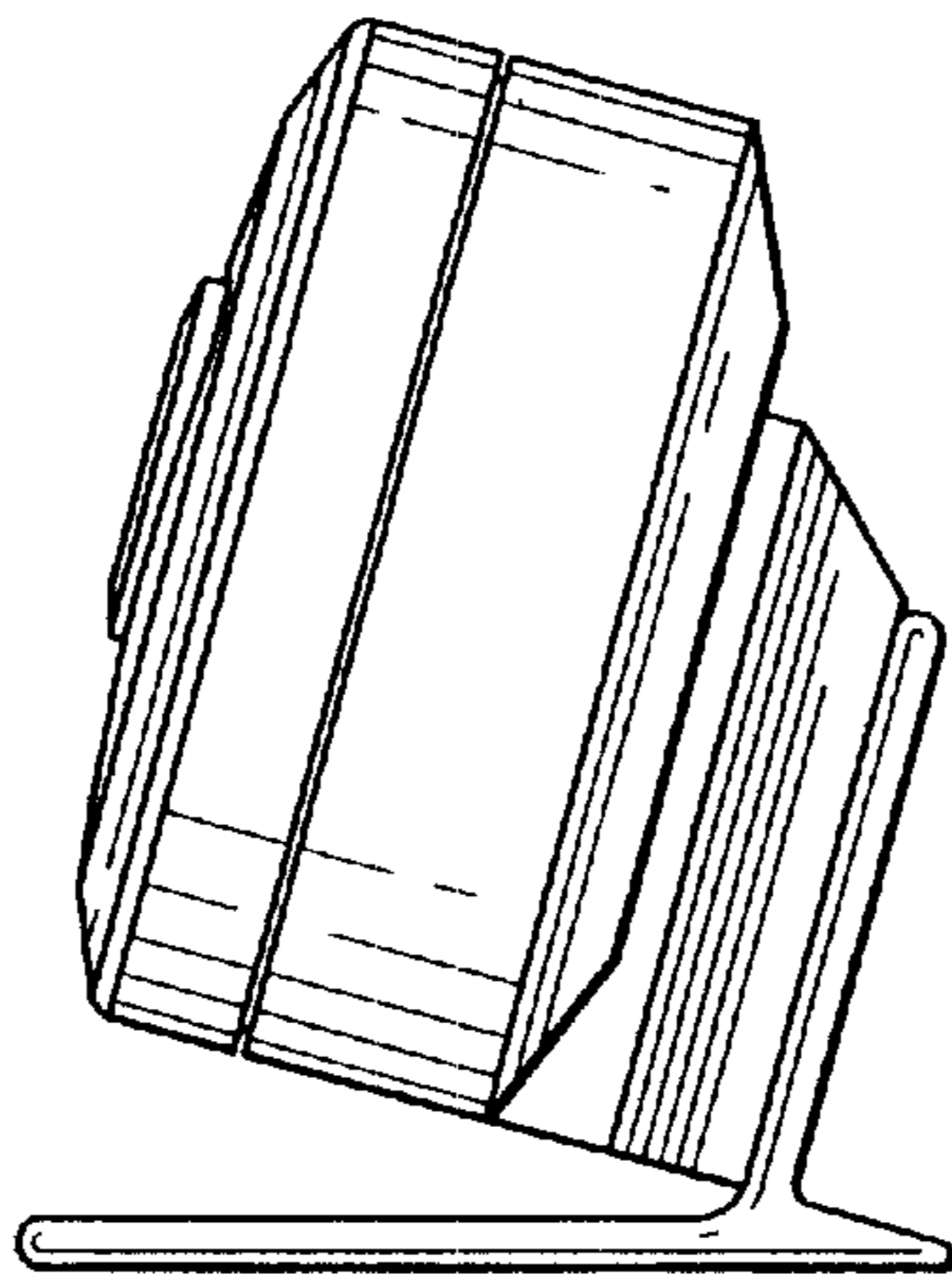


FIG. 5

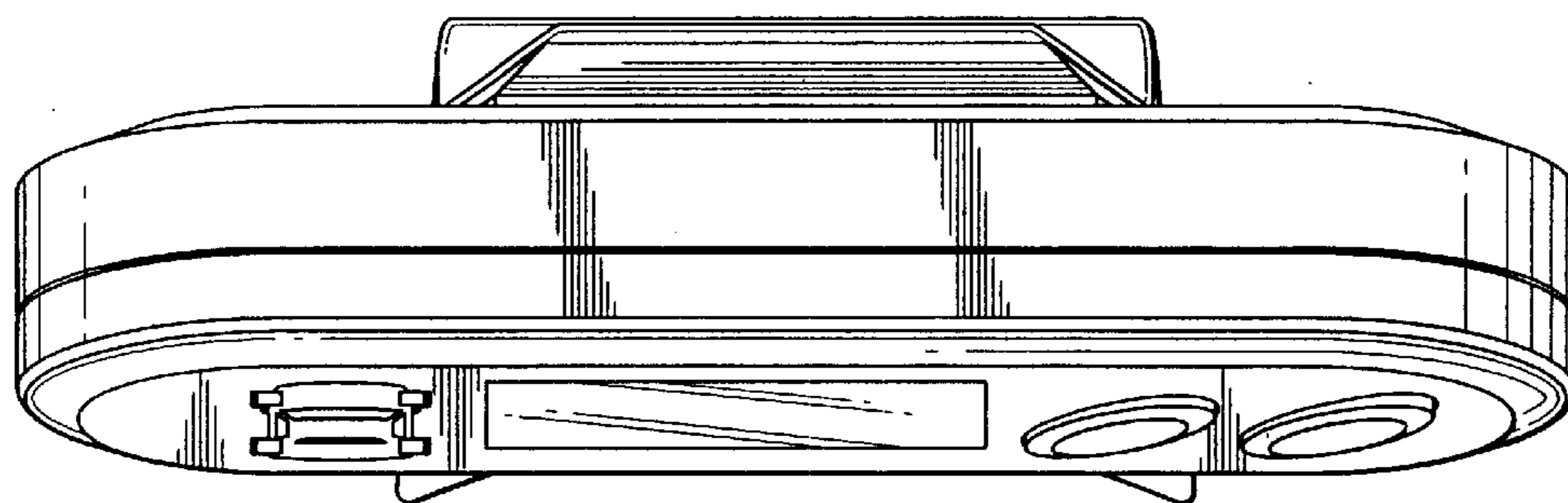


FIG. 6

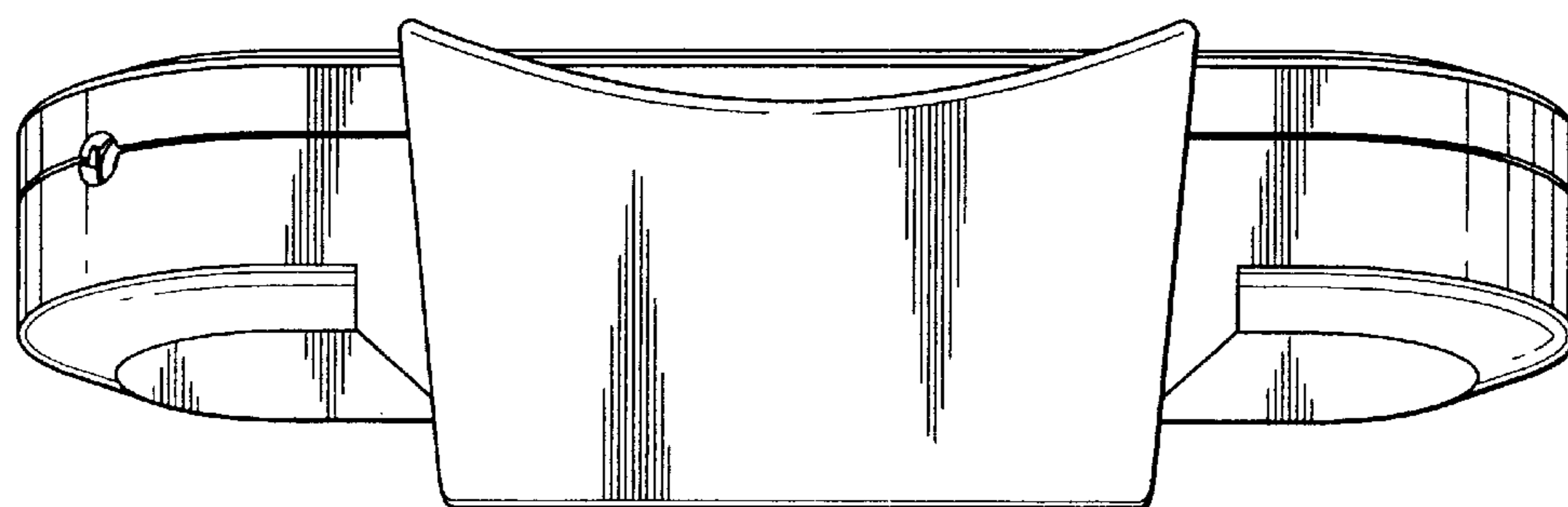


FIG. 7