



US00D528025S

(12) **United States Design Patent**
Tien

(10) **Patent No.:** **US D528,025 S**

(45) **Date of Patent:** **** Sep. 12, 2006**

(54) **PEDOMETER CLOCK**

D504,632 S * 5/2005 Nishiura et al. D10/97
D511,699 S * 11/2005 Pan D10/70

(76) Inventor: **Kuang-Hsia Tien**, 475 E. Duarte Rd.,
Monrovia, CA (US) 91016

* cited by examiner

(**) Term: **14 Years**

Primary Examiner—Antoine D. Davis
(74) *Attorney, Agent, or Firm*—Clement Cheng

(21) Appl. No.: **29/253,690**

(57) **CLAIM**

(22) Filed: **Feb. 10, 2006**

The ornamental design for a pedometer clock, thereof as shown and described.

(51) **LOC (8) Cl.** **10-04**

(52) **U.S. Cl.** **D10/70; D10/2**

(58) **Field of Classification Search** D10/70,
D10/97, 98, 2-5; 235/95 C, 105; 377/5, 24.2,
377/26; 702/144, 160, 176

See application file for complete search history.

DESCRIPTION

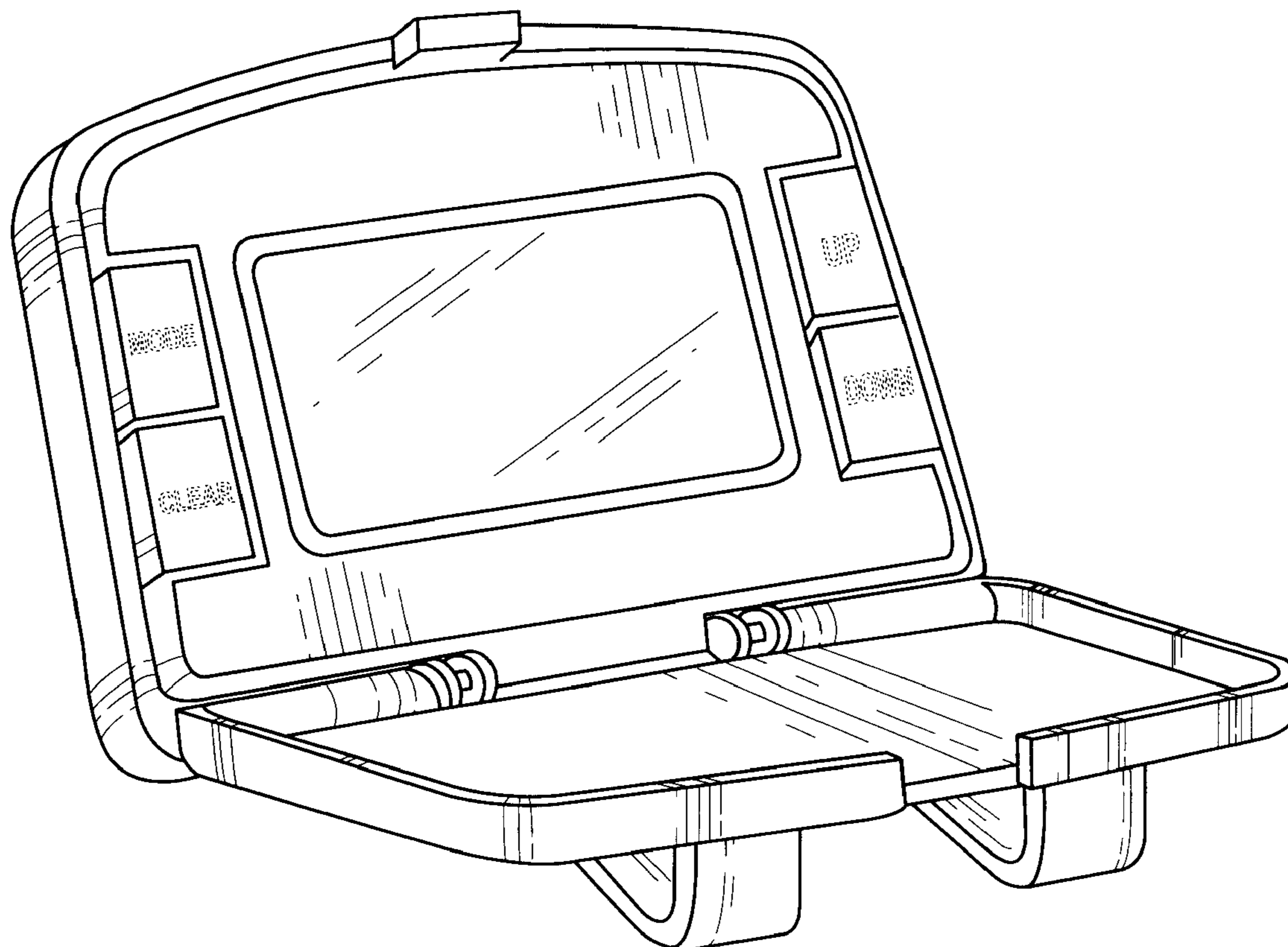
FIG. 1 is a perspective open view.
FIG. 2 is a side view.
FIG. 3 is a front view.
FIG. 4 is a side view.
FIG. 5 is a top view.
FIG. 6 is a rear view.
FIG. 7 is a bottom view.
FIG. 8 is a perspective closed view; and,
FIG. 9 is a perspective rear view.

(56) **References Cited**

U.S. PATENT DOCUMENTS

D375,695 S * 11/1996 Narai D10/70
6,349,126 B1 * 2/2002 Ogawa et al. 377/24.2
6,674,832 B1 * 1/2004 Yusa 377/24.2
D491,479 S * 6/2004 Hsu D10/70

1 Claim, 4 Drawing Sheets



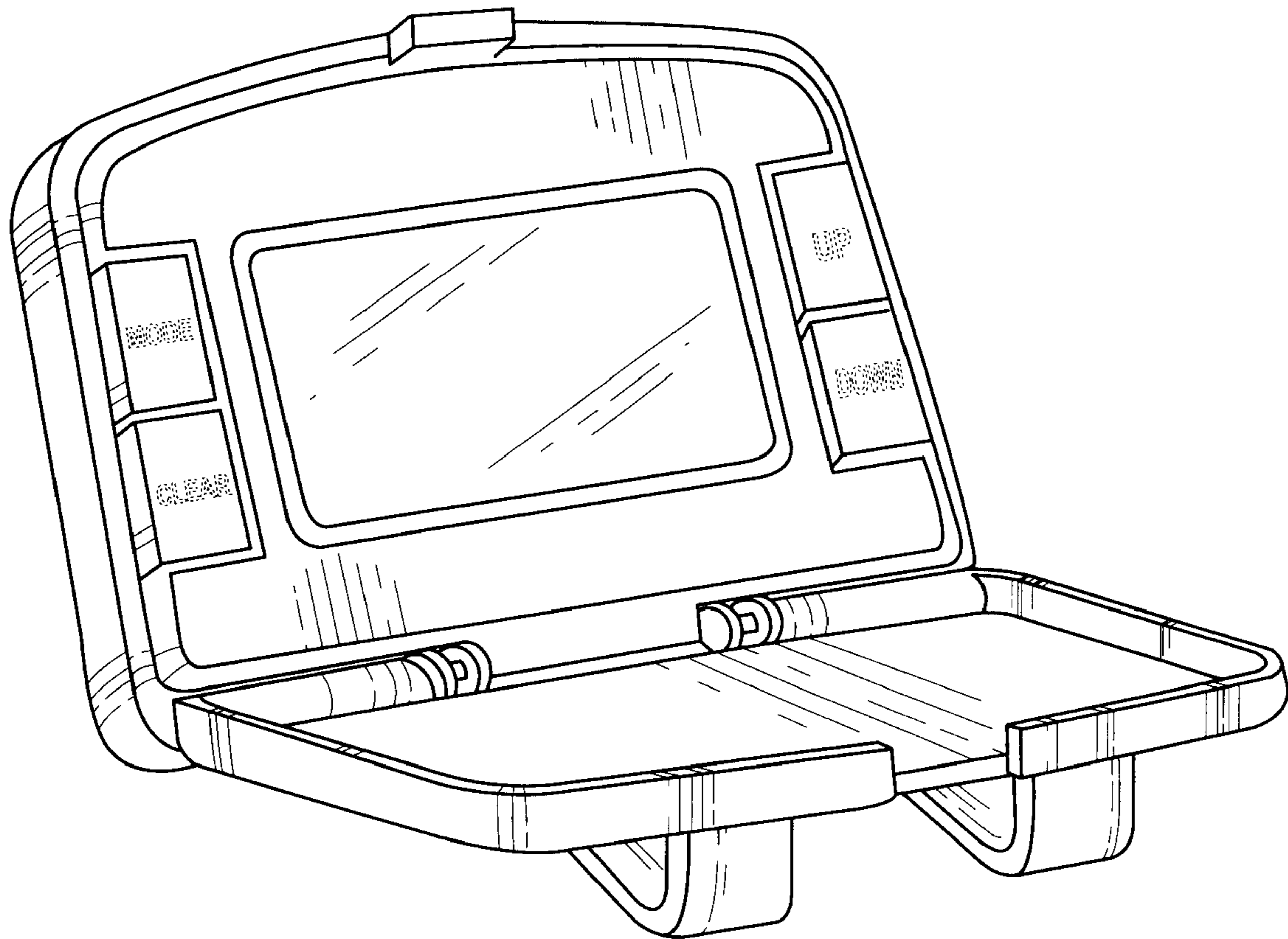


Fig. 1

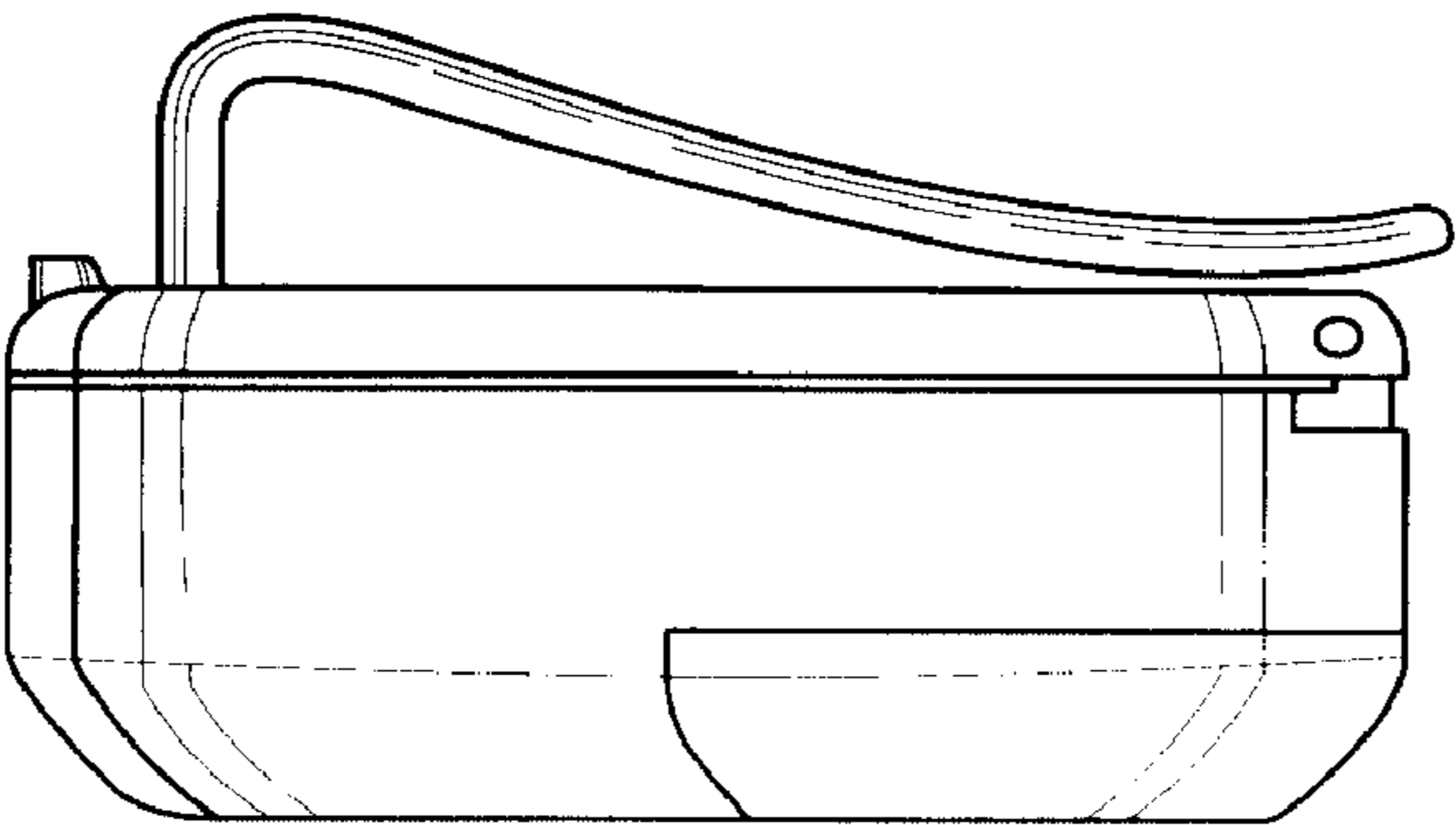
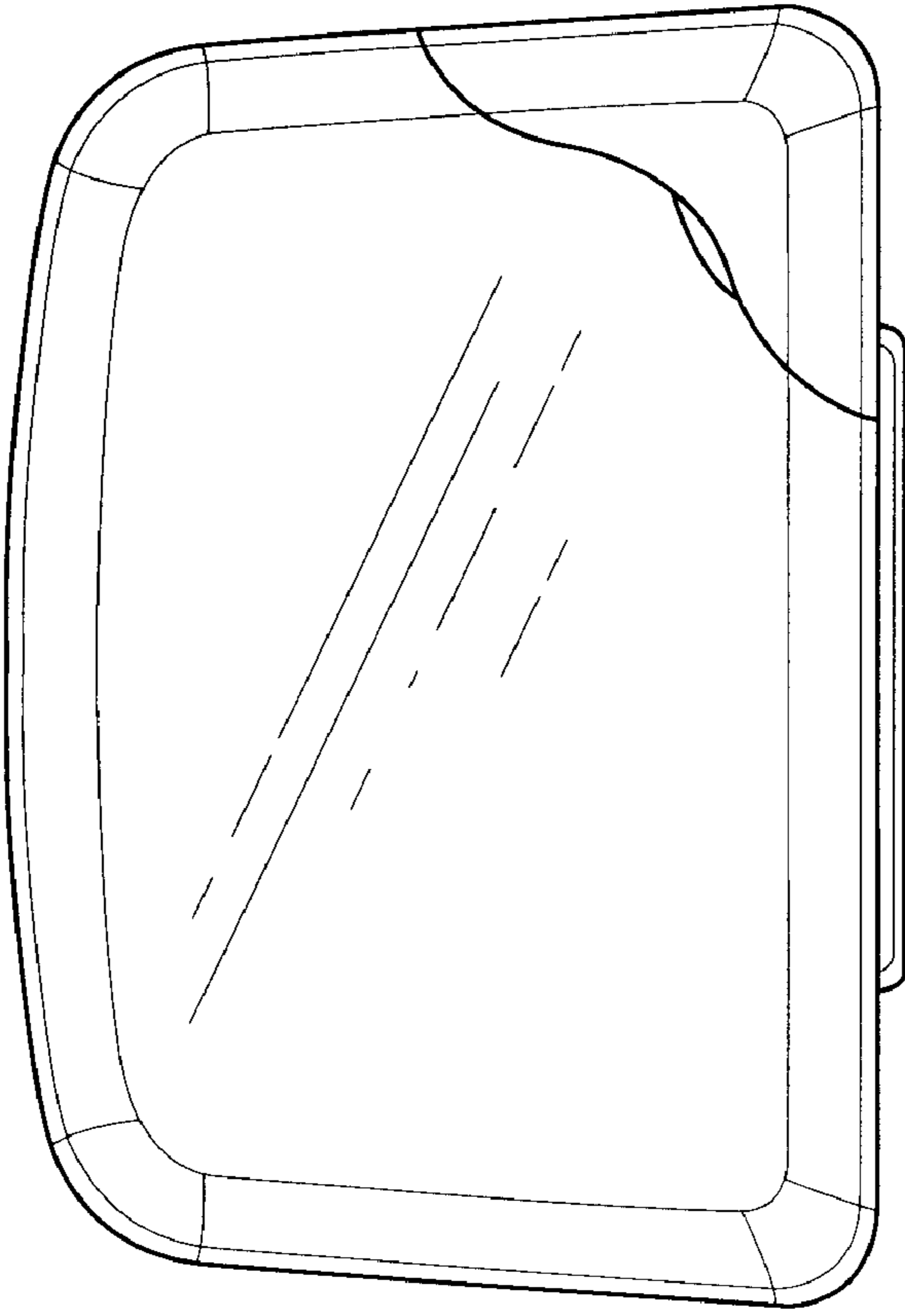
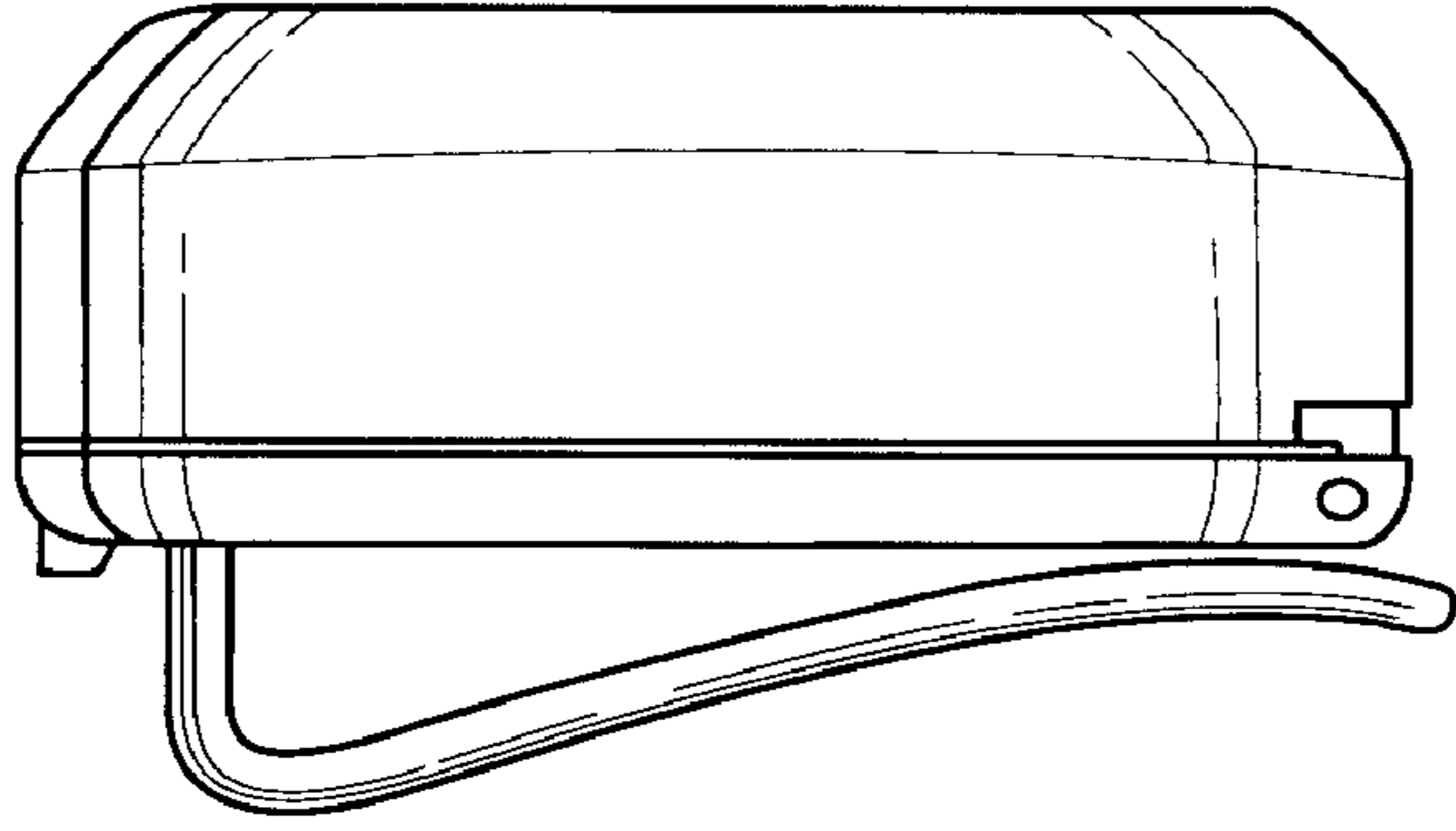


Fig. 2

Fig. 3

Fig. 4

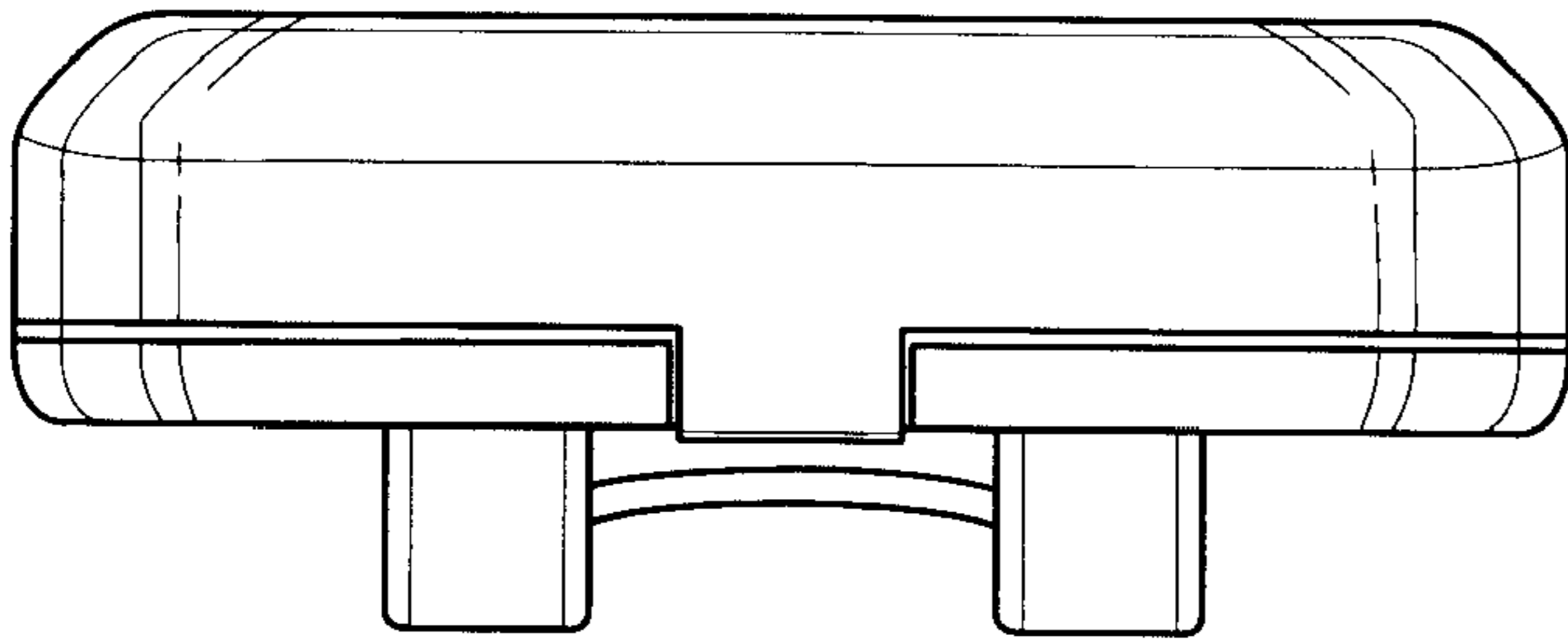


Fig. 5

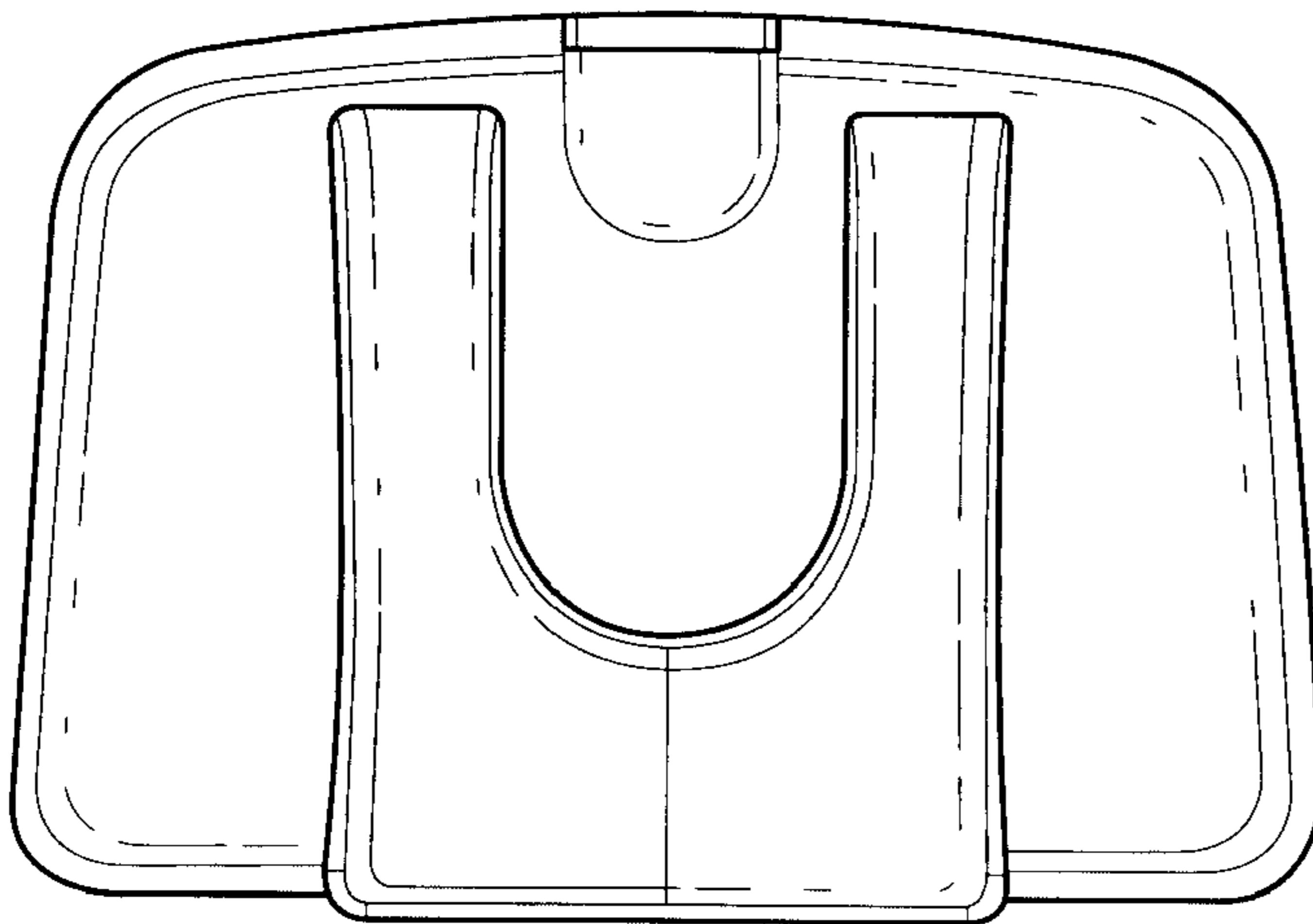


Fig. 6

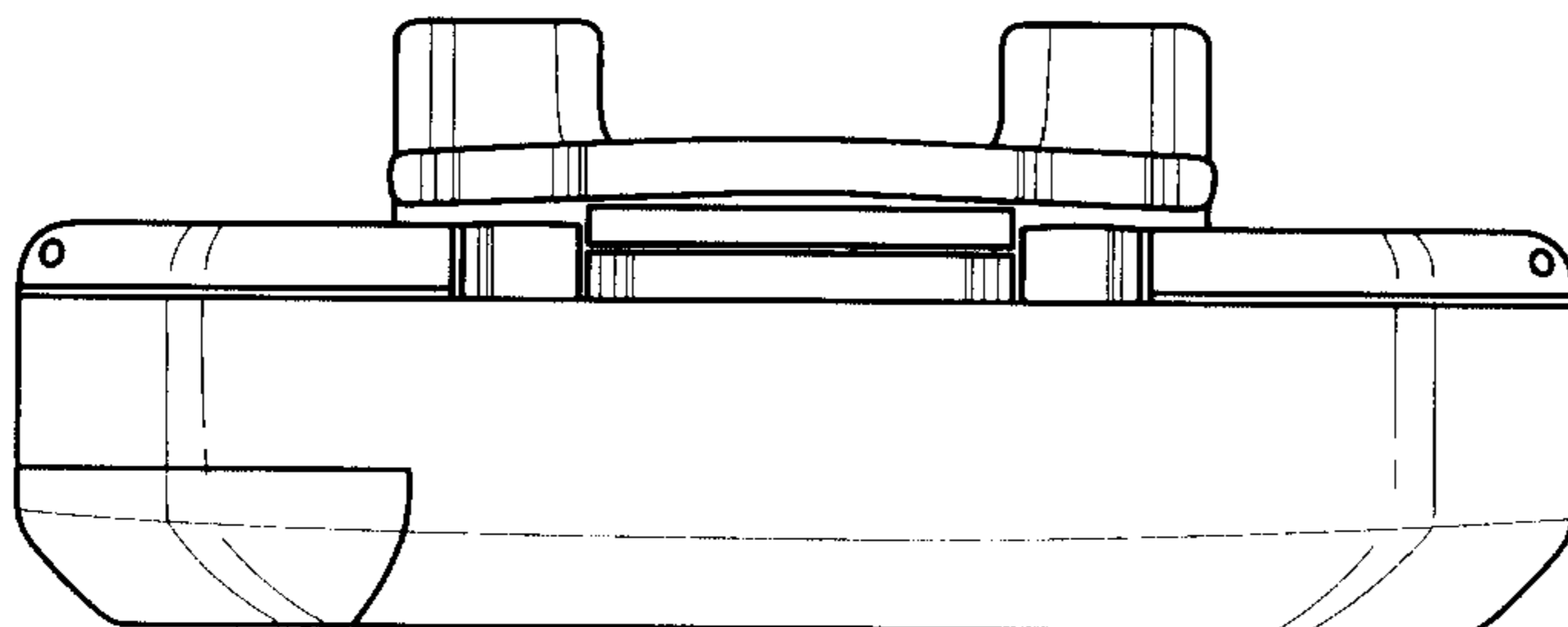


Fig. 7

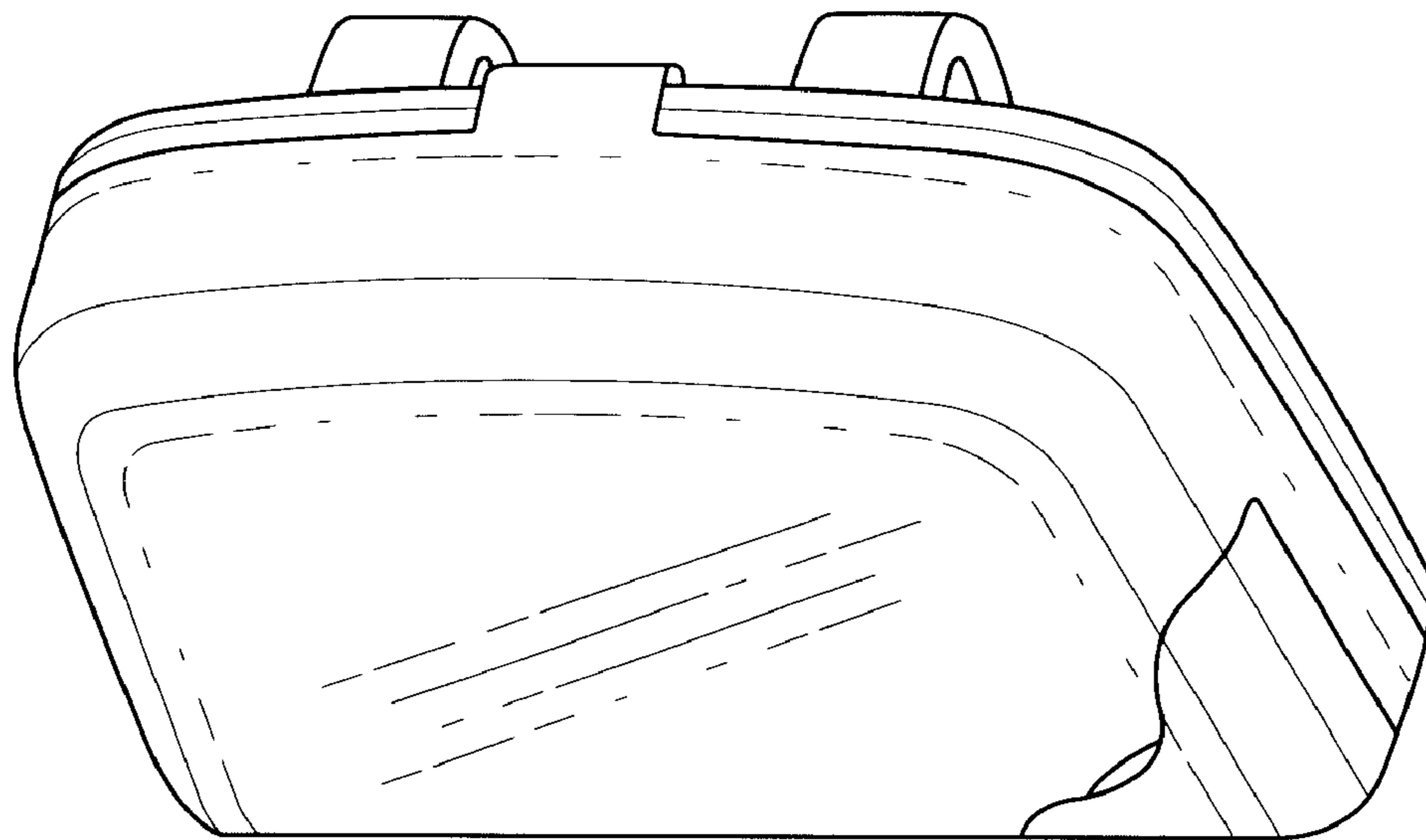


Fig. 8

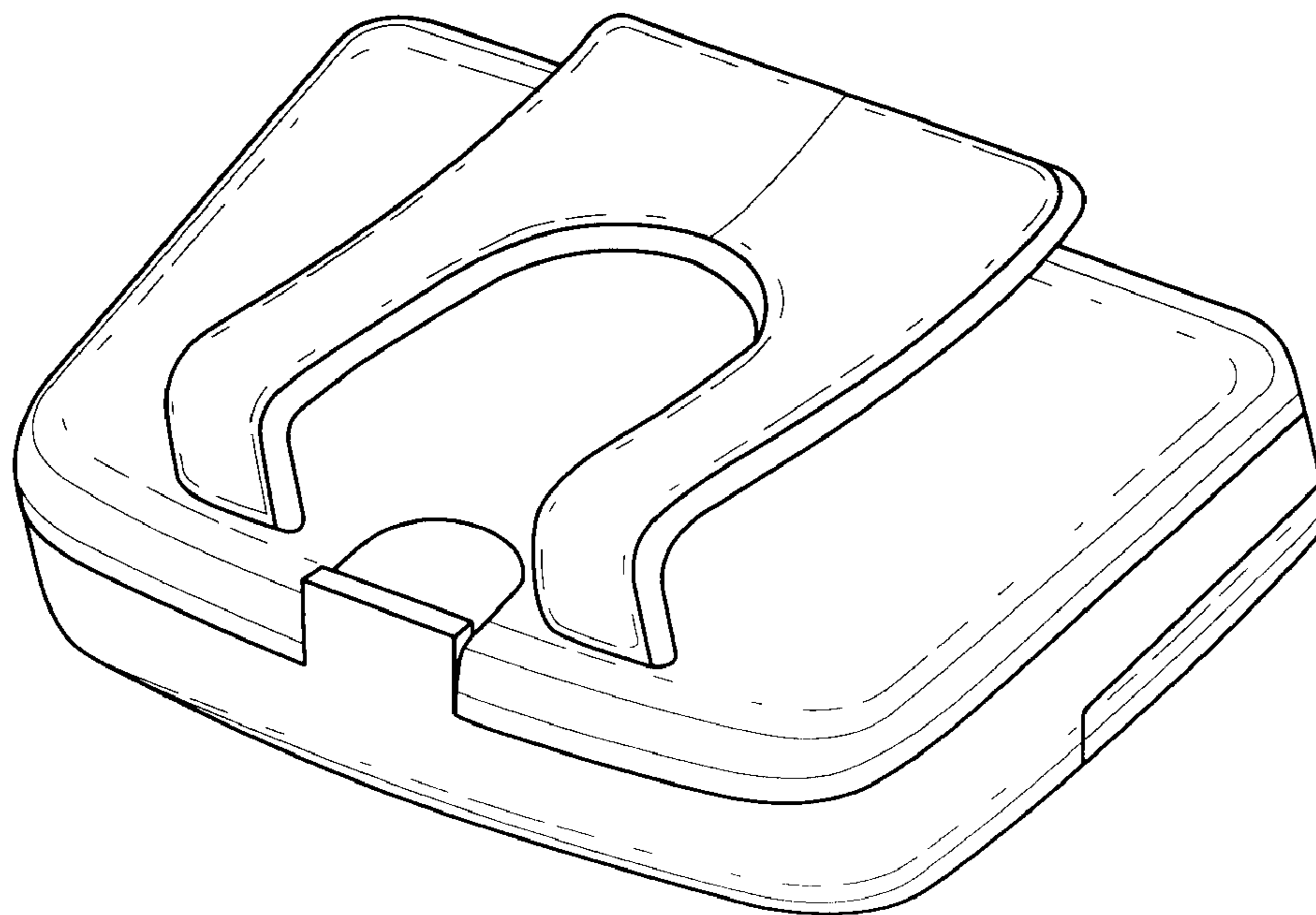


Fig. 9