



US00D528024S

(12) **United States Design Patent**
Bhavnani

(10) **Patent No.:** **US D528,024 S**

(45) **Date of Patent:** **** Sep. 12, 2006**

(54) **PEDOMETER**

OTHER PUBLICATIONS

(75) **Inventor:** **Dilip Bhavnani**, Beverly Hills, CA
(US)

U.S. Appl. No. 11/008,304, Dilip Bhavnani.
U.S. Appl. No. 29/196,289, Dilip Bhavnani.

(73) **Assignee:** **Sun Coast Merchandise Corporation**,
Commerce, CA (US)

* cited by examiner

(**) **Term:** **14 Years**

Primary Examiner—Antoine D. Davis
(74) *Attorney, Agent, or Firm*—The Soni Law Firm

(21) **Appl. No.:** **29/245,176**

(22) **Filed:** **Dec. 19, 2005**

(57) **CLAIM**

The ornamental design for a pedometer, as shown and described.

(51) **LOC (8) Cl.** **10-04**

(52) **U.S. Cl.** **D10/70**

(58) **Field of Classification Search** D10/70,
D10/97, 98; 235/95 C, 105; 377/5, 24.2,
377/26; 702/144, 160, 176

See application file for complete search history.

DESCRIPTION

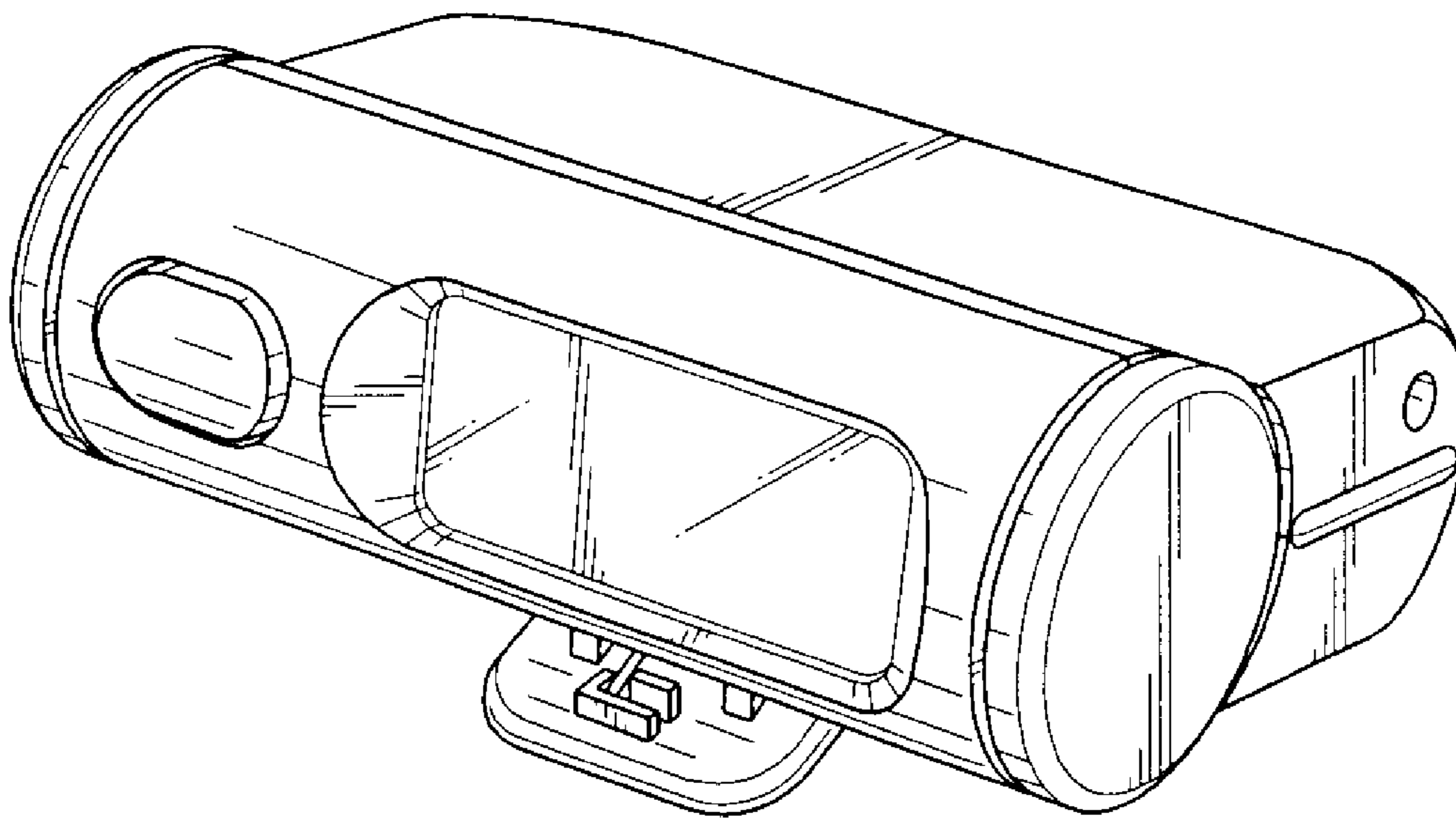
FIG. 1 is a front side perspective view of the present invention showing my new design;
FIG. 2 is a front view thereof;
FIG. 3 is a top view thereof;
FIG. 4 is a side view thereof;
FIG. 5 is a side plan view thereof;
FIG. 6 is a back view thereof; and,
FIG. 7 is a bottom view thereof.

(56) **References Cited**

U.S. PATENT DOCUMENTS

D494,484 S * 8/2004 Bhavnani D10/70

1 Claim, 3 Drawing Sheets



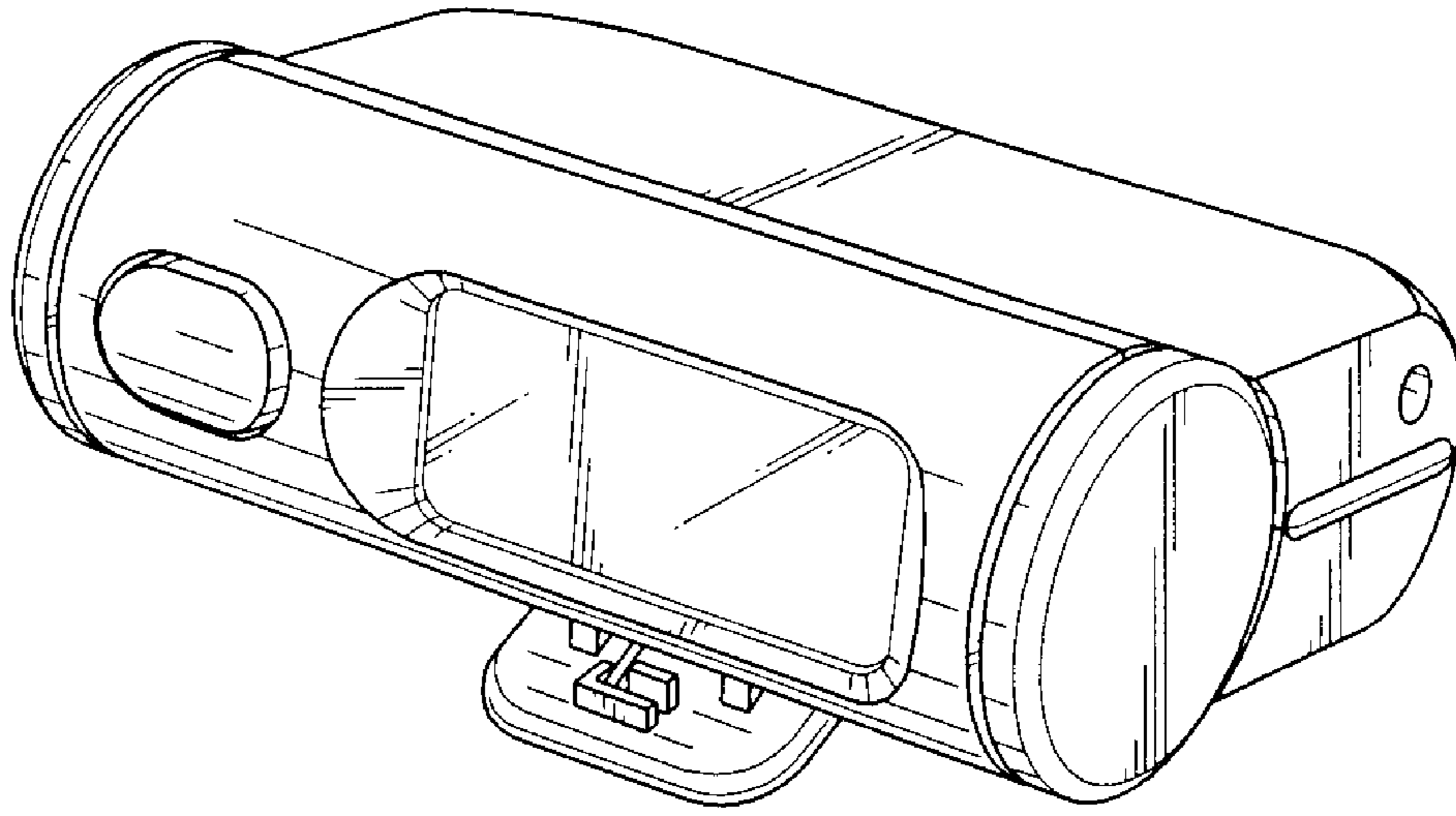


FIG. 1

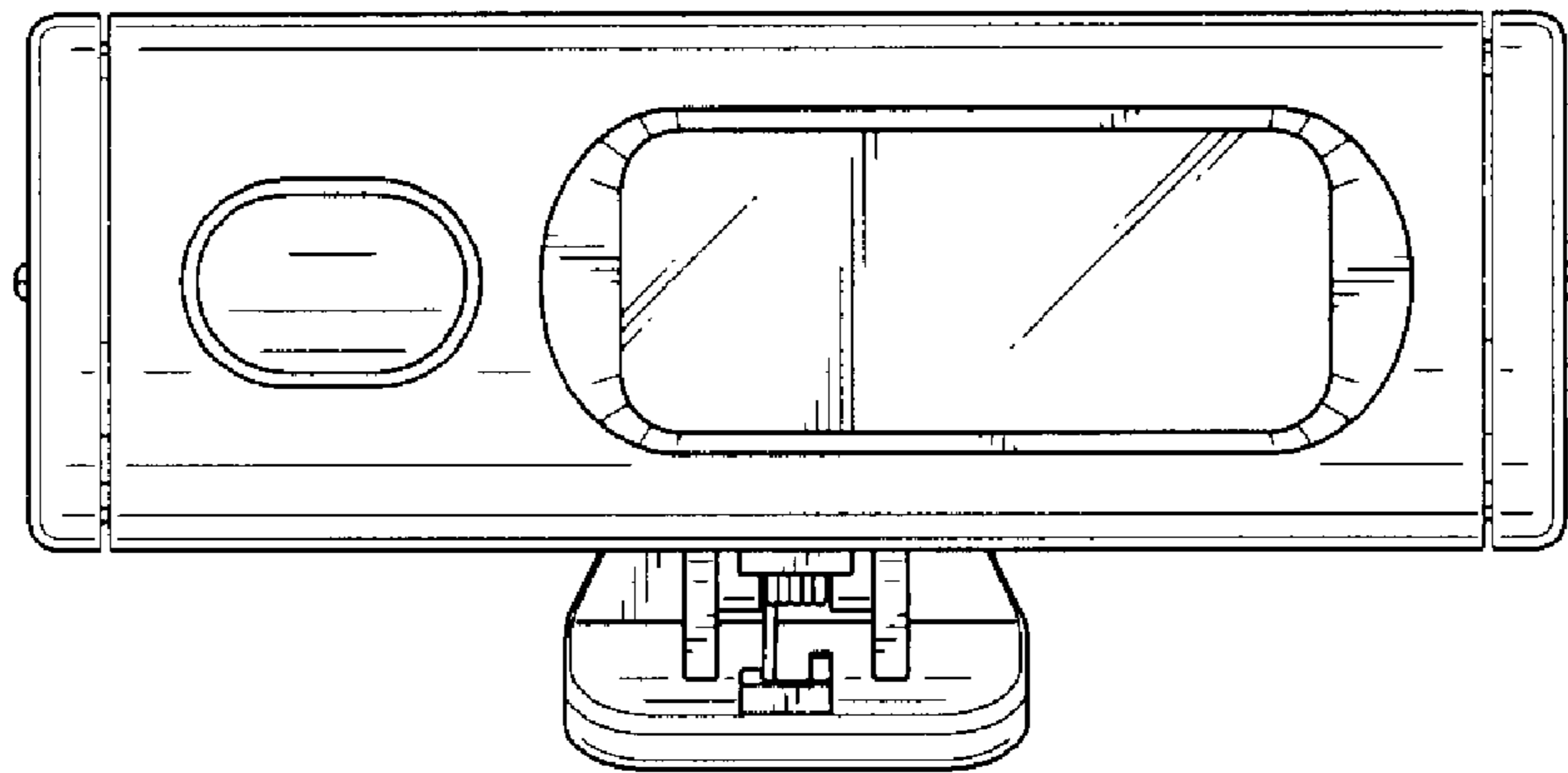


FIG. 2

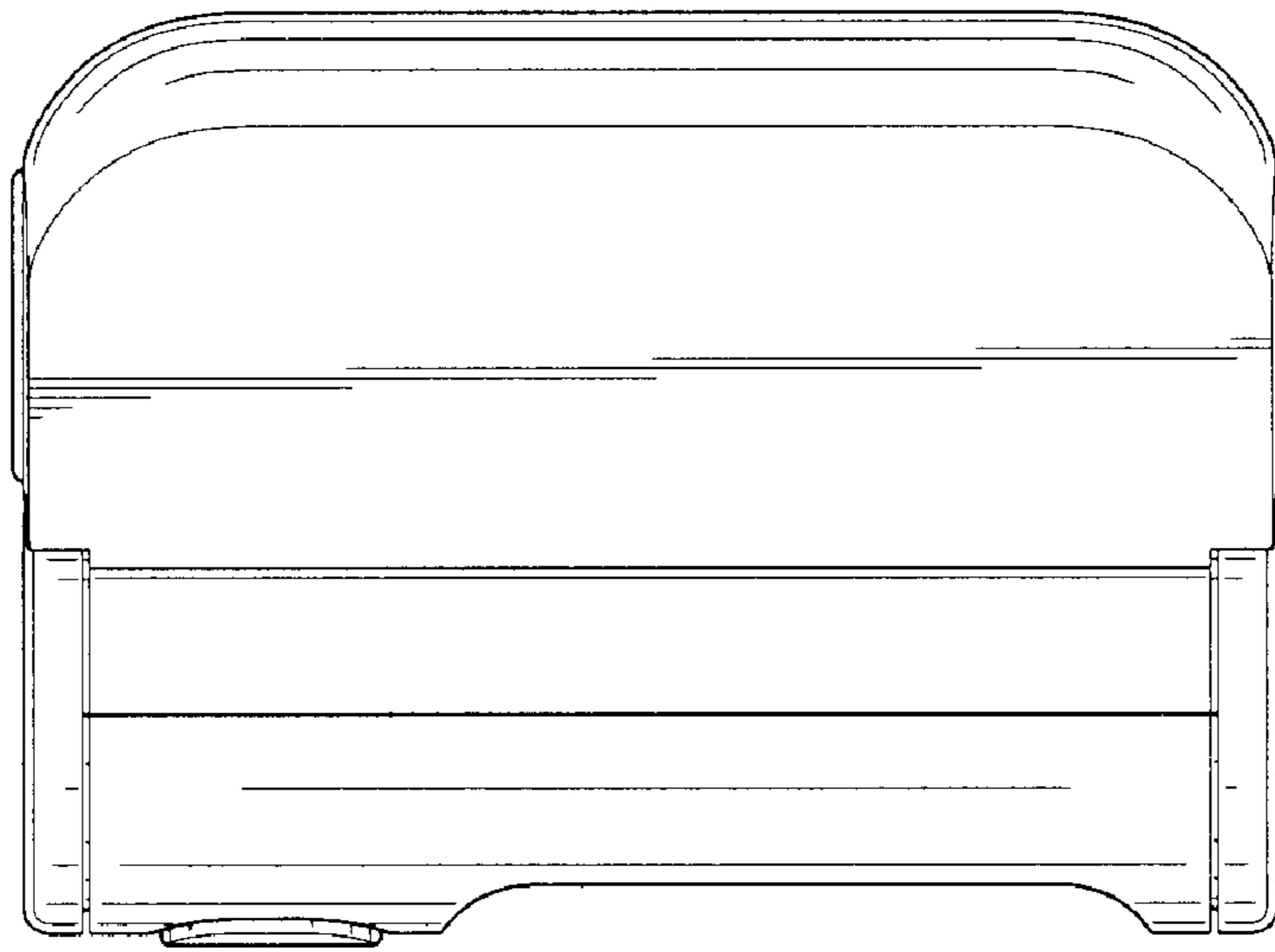


FIG. 3

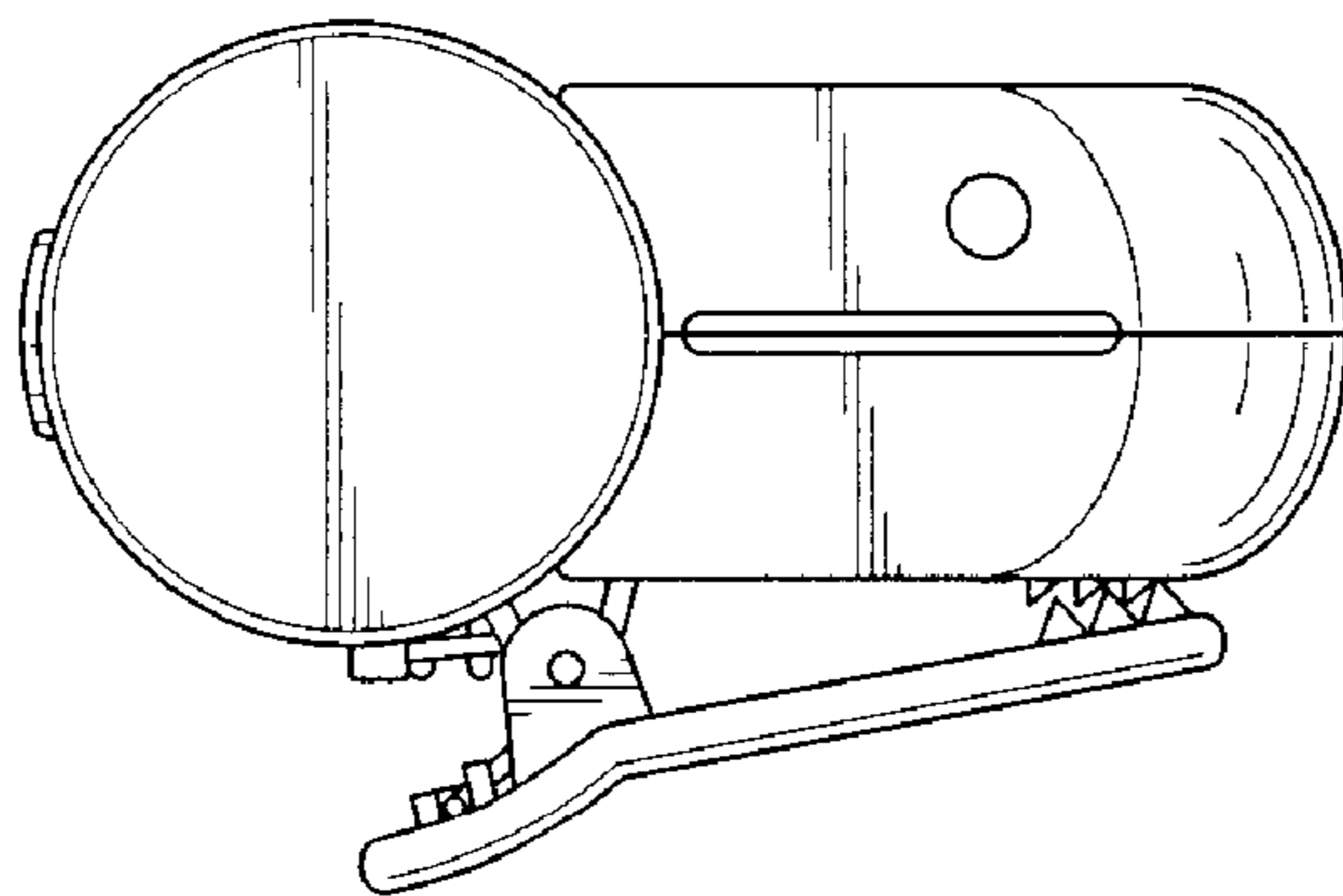


FIG. 4

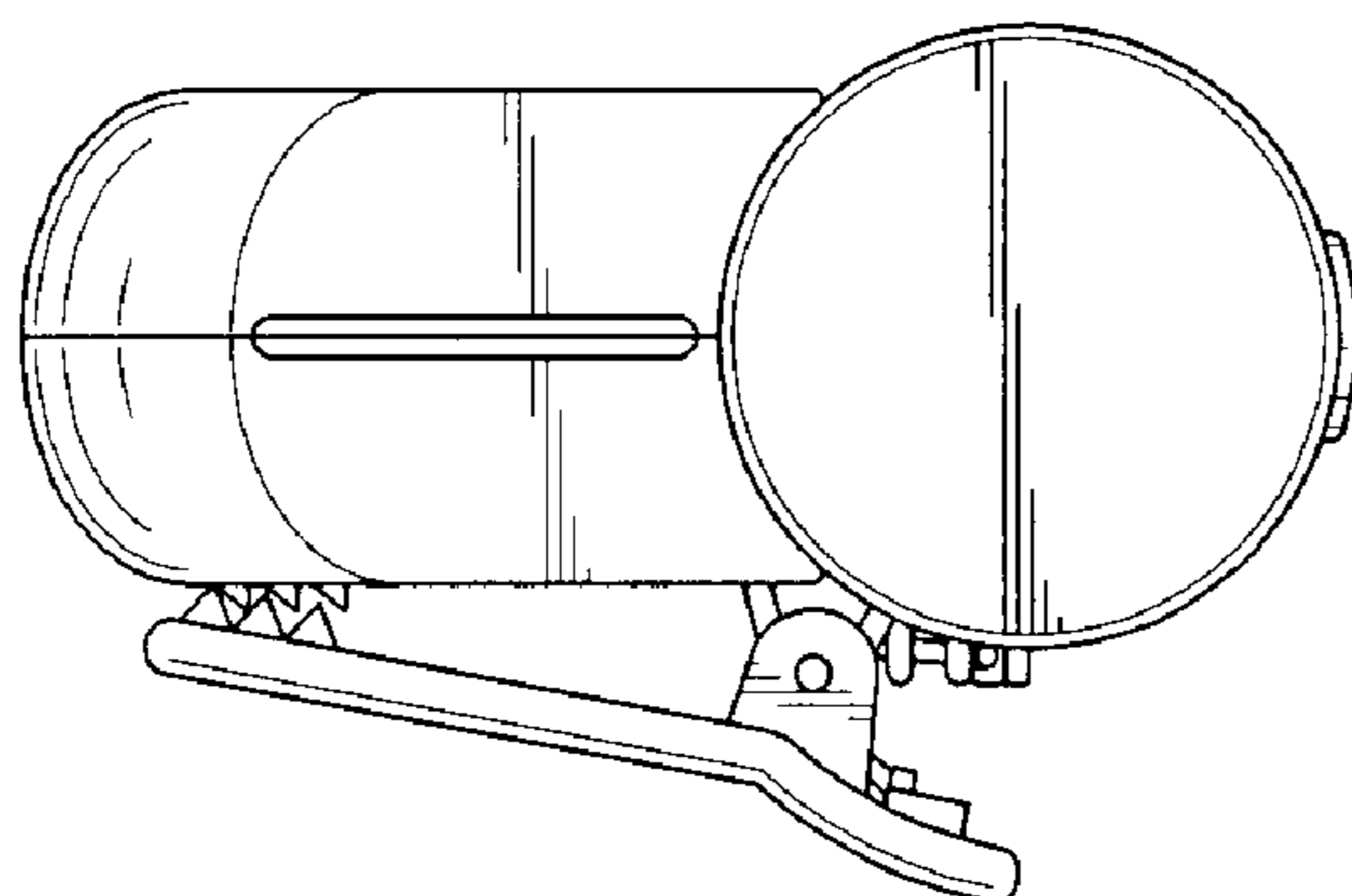


FIG. 5

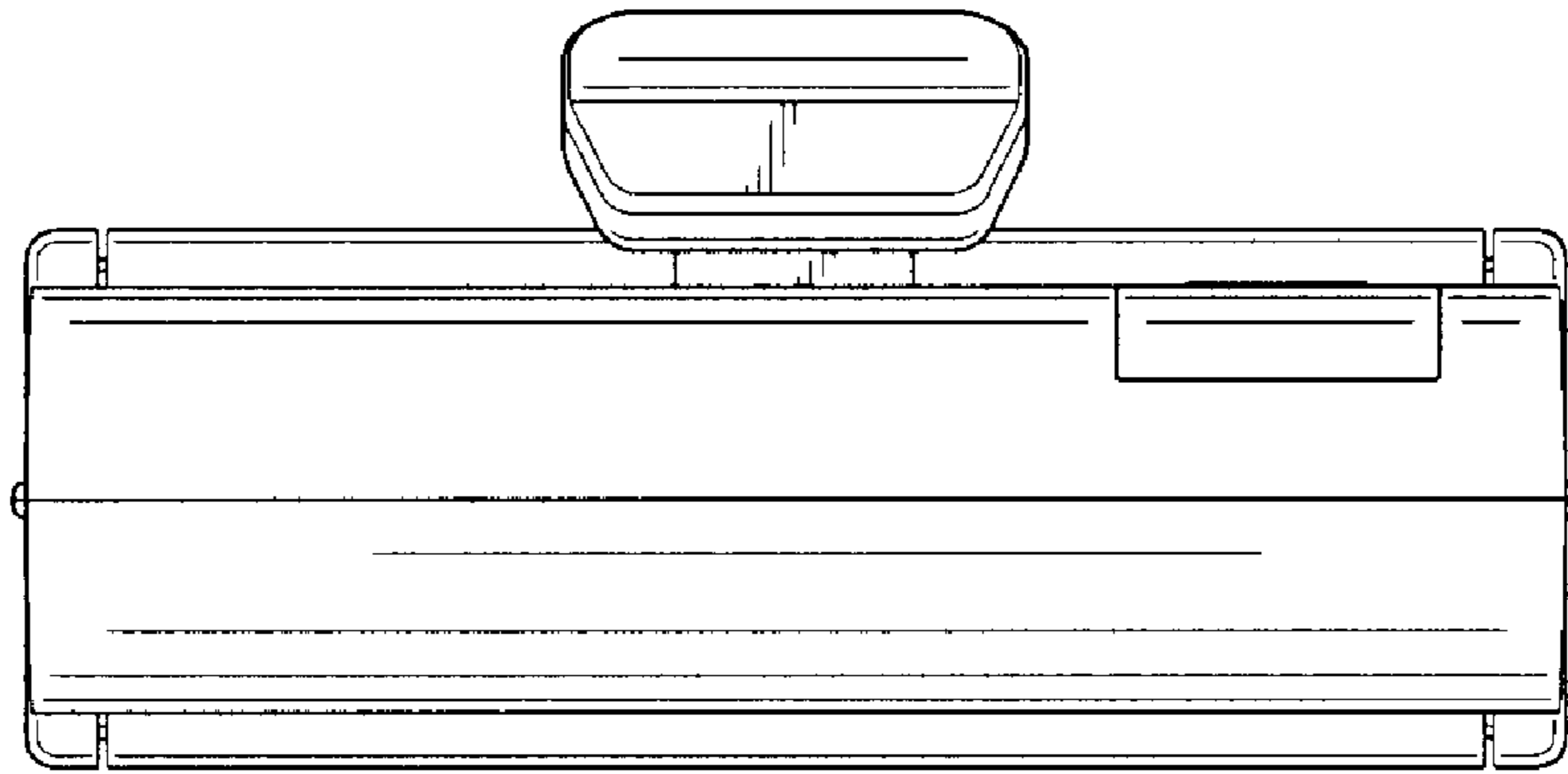


FIG. 6

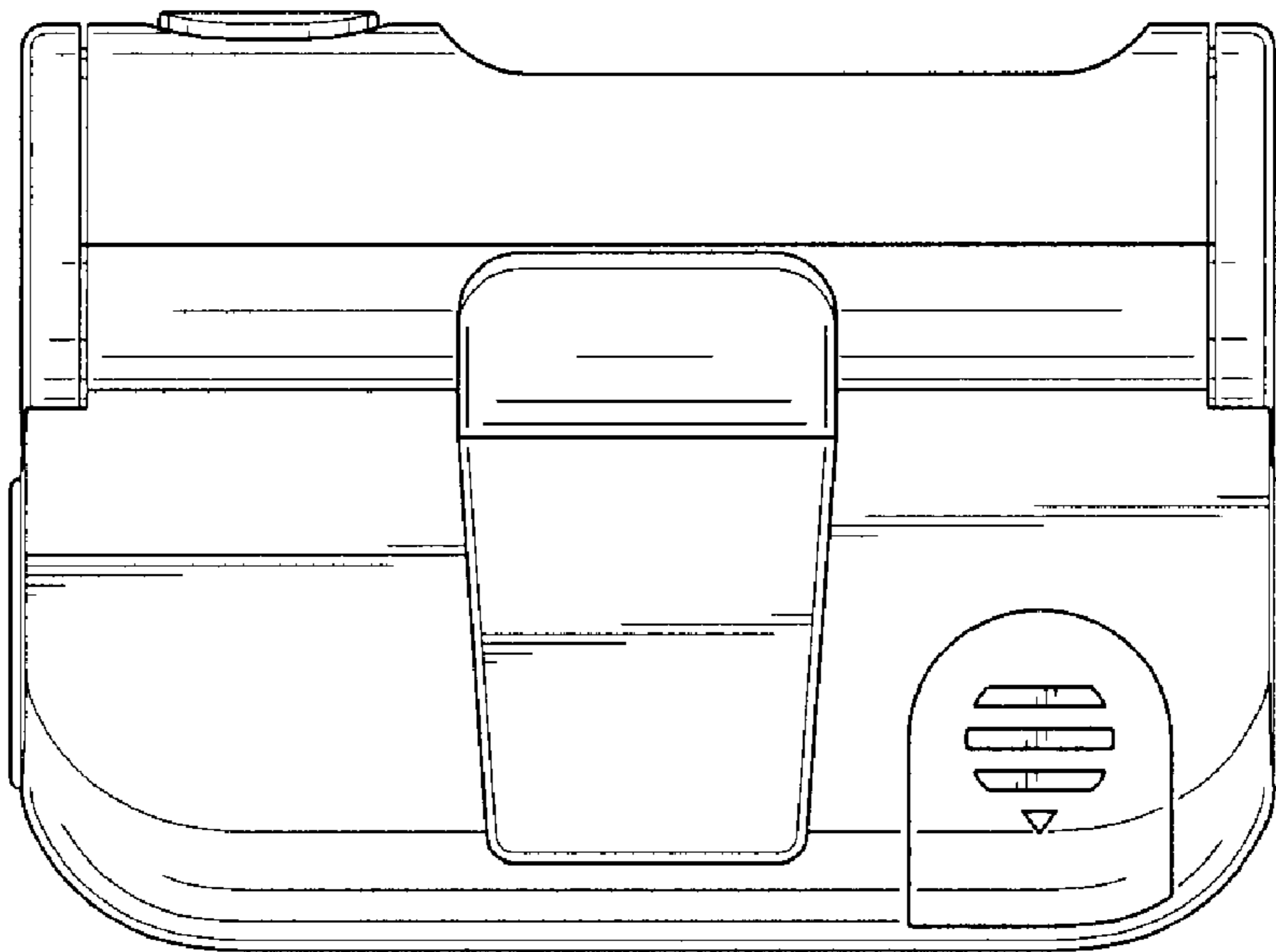


FIG. 7