



US00D528023S

(12) **United States Design Patent**  
**Bingham, Jr. et al.**

(10) **Patent No.:** **US D528,023 S**

(45) **Date of Patent:** **\*\* Sep. 12, 2006**

(54) **CADENCE METER**

6,674,832 B1 \* 1/2004 Yusa ..... 377/24.2  
6,805,006 B1 \* 10/2004 Guzman ..... 73/490

(75) Inventors: **Robert J. Bingham, Jr.**, Everett, WA  
(US); **Mark A. Zeh**, Munich (DE);  
**Christopher Loew**, Palo Alto, CA (US)

\* cited by examiner

(73) Assignee: **LeMond Fitness, Inc.**, Woodinville,  
WA (US)

*Primary Examiner*—Antoine D. Davis

(74) *Attorney, Agent, or Firm*—George C. Rondeau, Jr.;  
Davis Wright Tremaine LLP

(\*\*) Term: **14 Years**

(57) **CLAIM**

(21) Appl. No.: **29/234,644**

The ornamental design for a cadence meter, as shown and  
described.

(22) Filed: **Jul. 21, 2005**

**DESCRIPTION**

**Related U.S. Application Data**

(60) Division of application No. 29/203,709, filed on Apr. 15,  
2004, now Pat. No. Des. 513,598, which is a continuation-  
in-part of application No. 29/201,862, filed on Mar. 22,  
2004.

FIG. 1 is a front perspective view of a third embodiment  
thereof.

(51) **LOC (8) Cl.** ..... **10-04**

(52) **U.S. Cl.** ..... **D10/70**

(58) **Field of Classification Search** ..... D10/70,  
D10/46; 73/493, 514.12, 514.14, 514.33;  
235/95 C, 105; 340/669; 377/5, 24.2, 26;  
702/160, 144, 176

FIG. 2 is a rear perspective view thereof.

FIG. 3 is a front elevational view thereof.

FIG. 4 is a rear elevational view thereof.

FIG. 5 is a right side elevational view thereof.

FIG. 6 is a left side elevational view thereof.

FIG. 7 is a top plan view thereof; and,

FIG. 8 is a bottom plan view thereof.

See application file for complete search history.

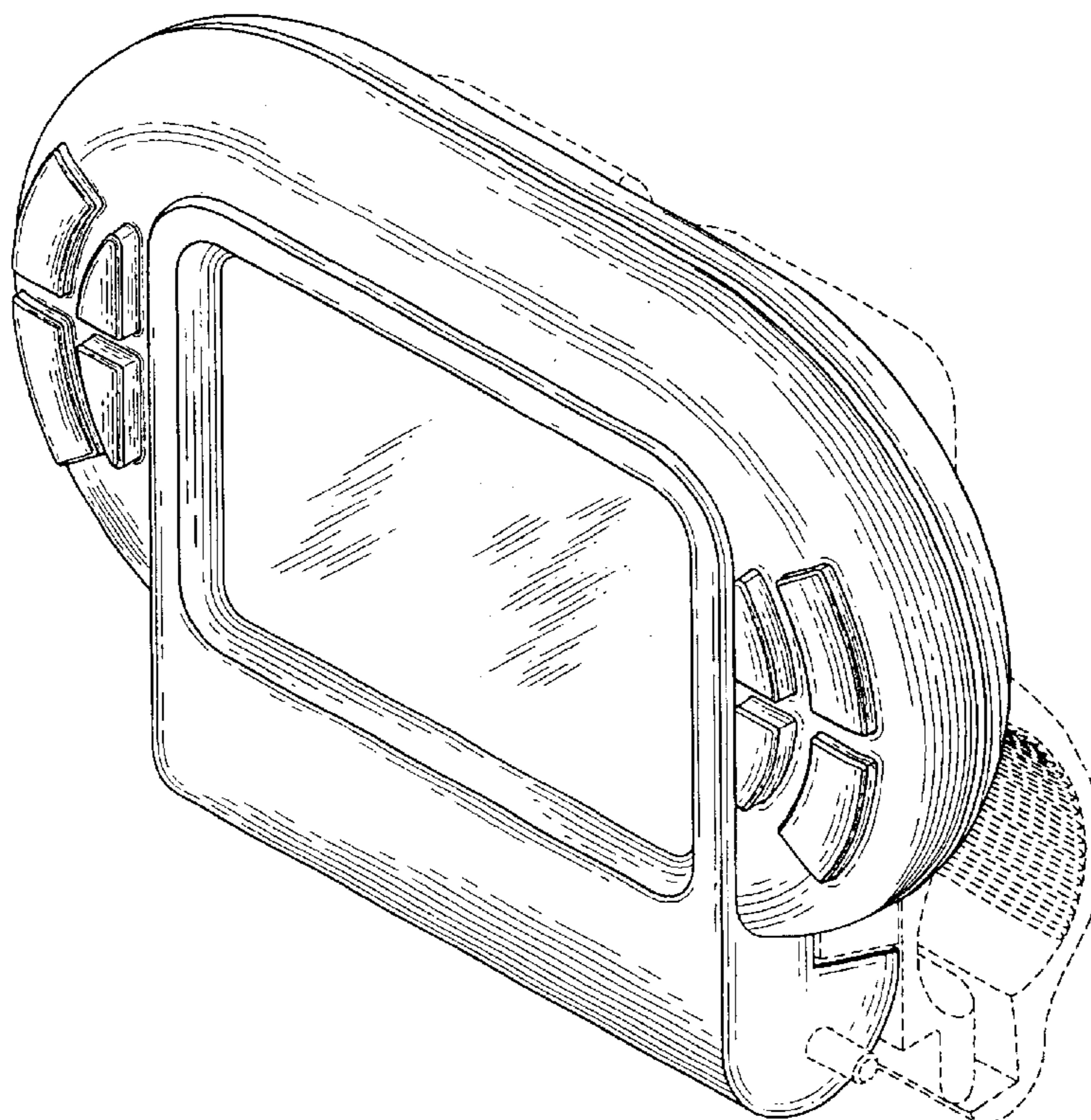
The broken lines are for illustrative purposes only and form  
no part of the claimed design.

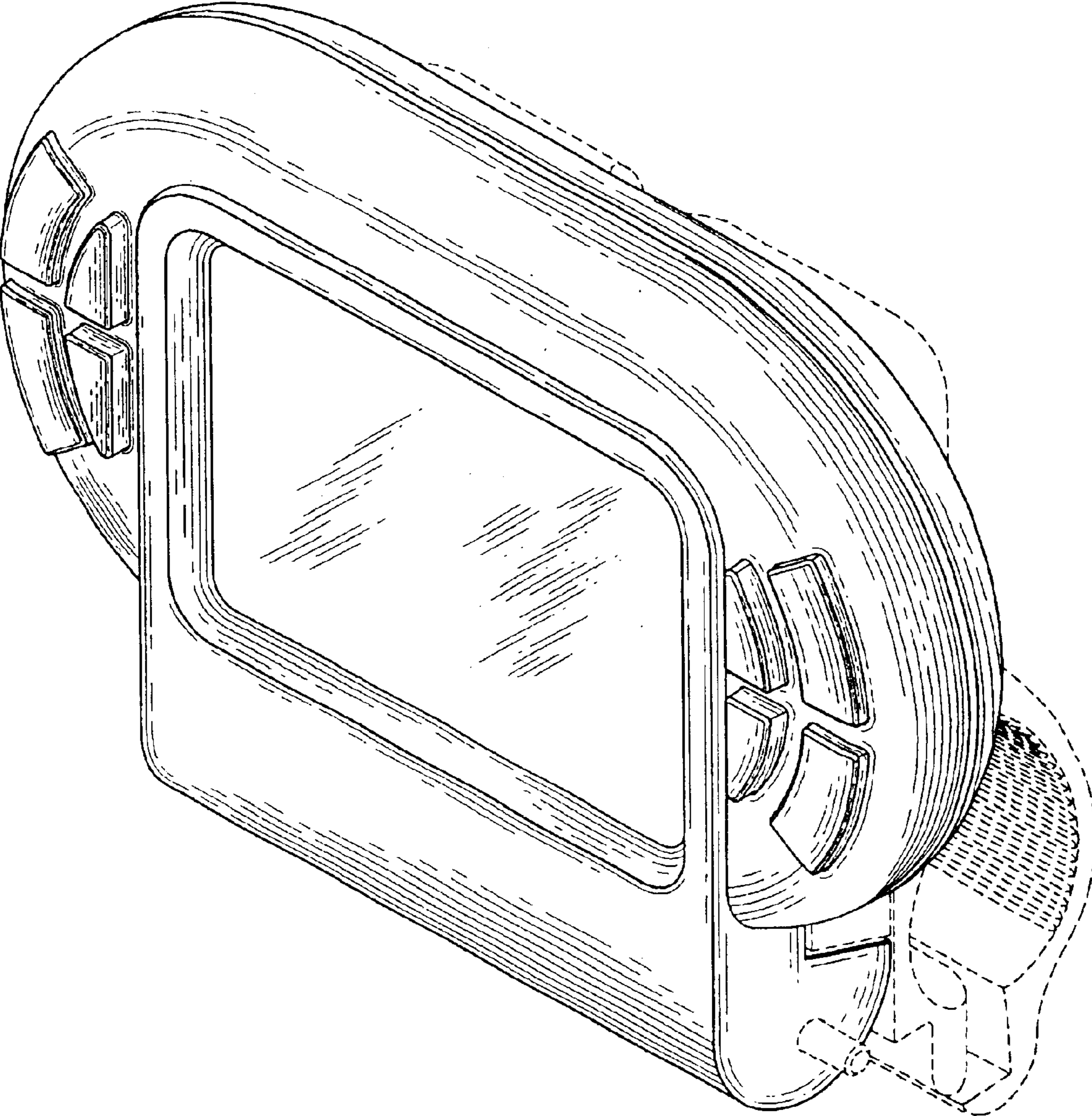
(56) **References Cited**

**U.S. PATENT DOCUMENTS**

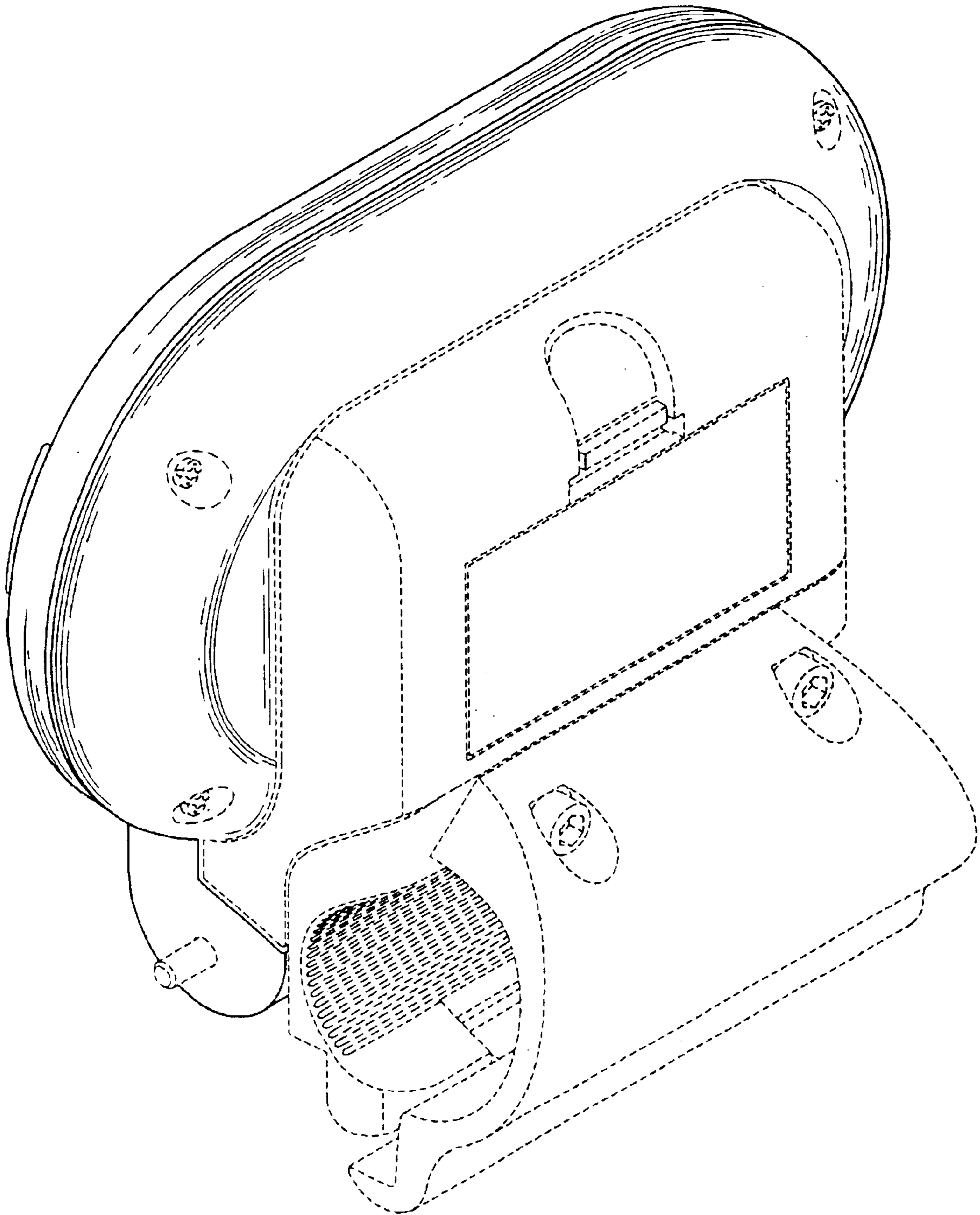
6,604,419 B1 \* 8/2003 Guzman ..... 73/491

**1 Claim, 8 Drawing Sheets**

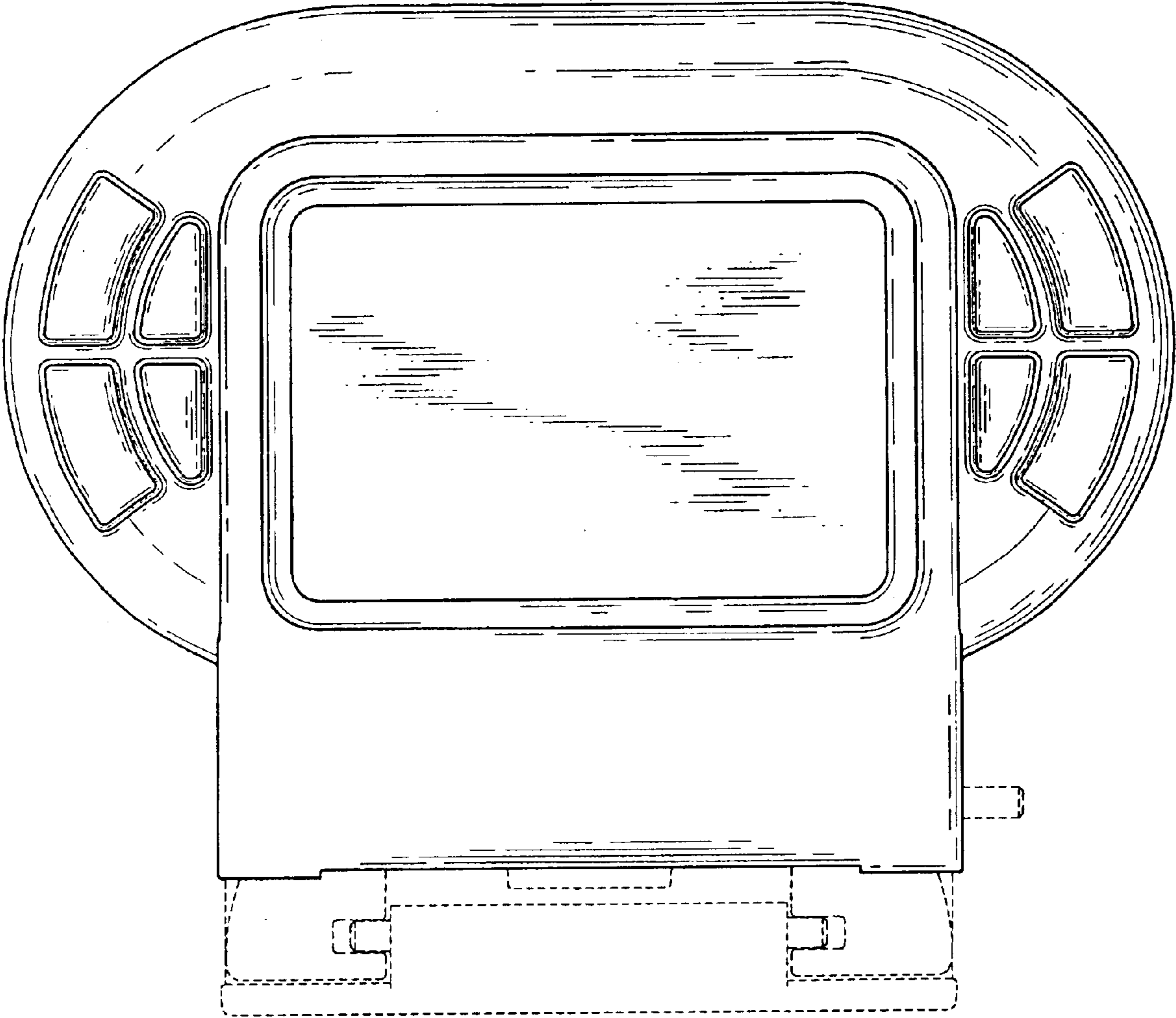




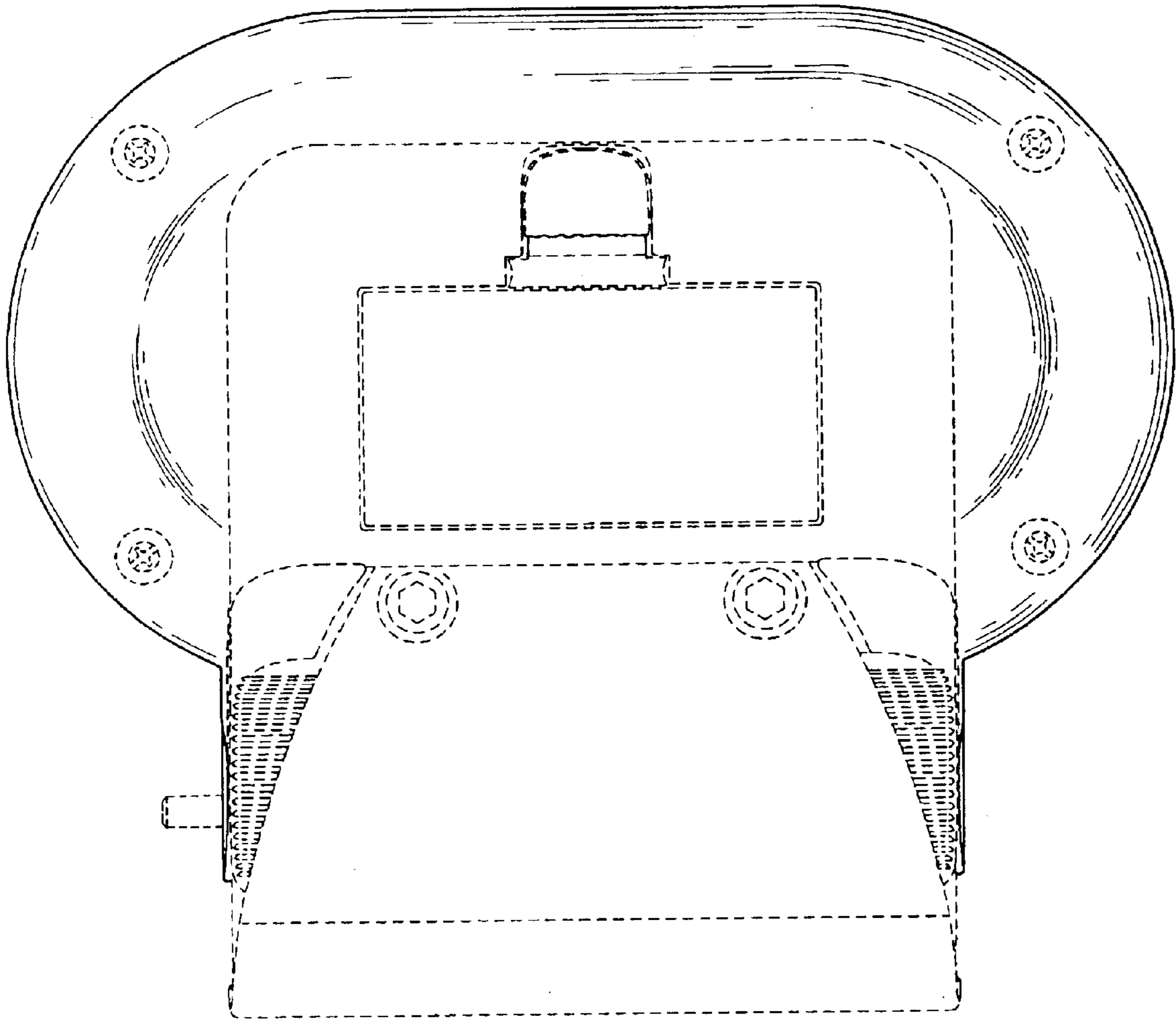
*Fig. 1*



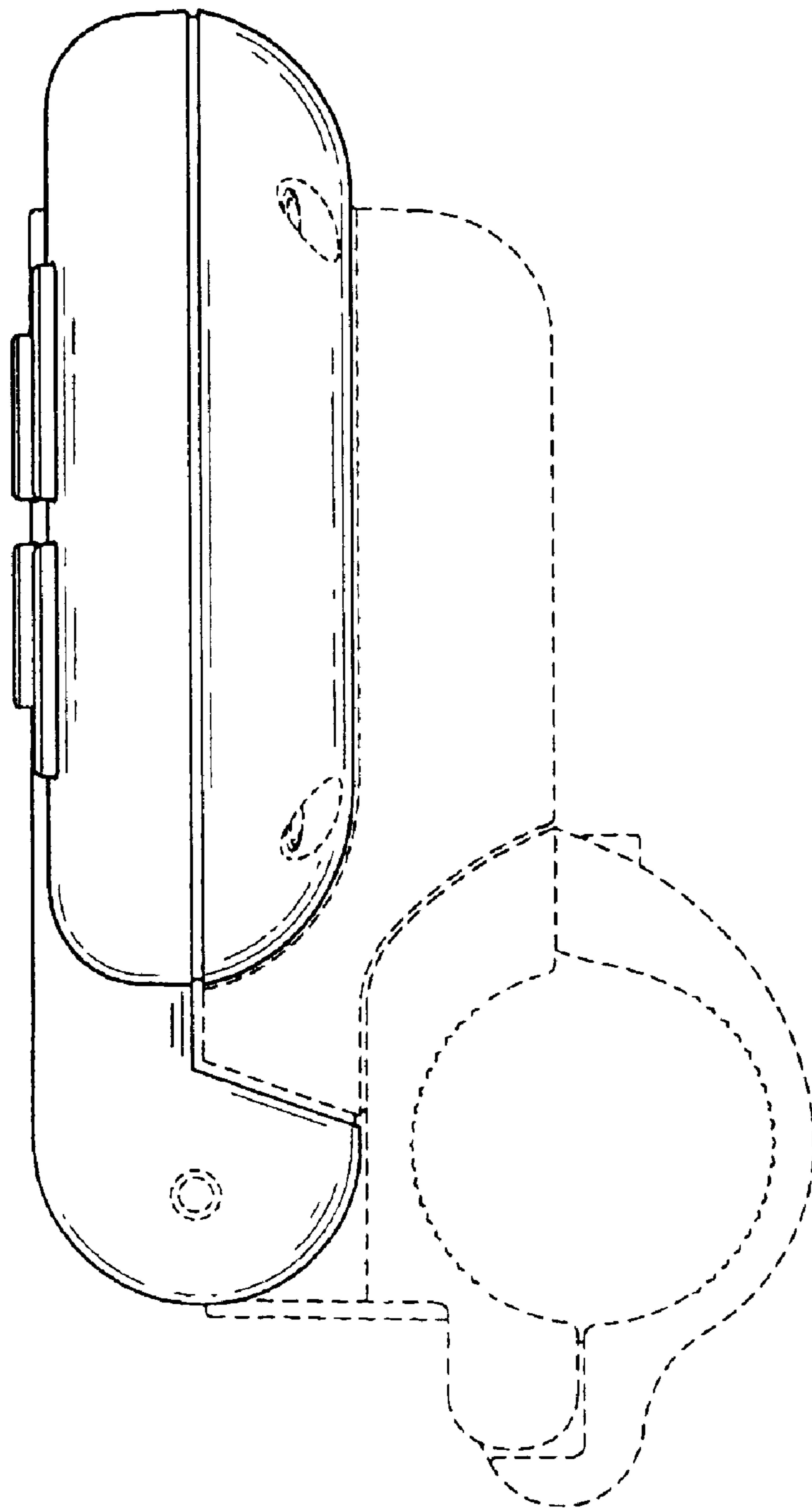
*Fig. 2*



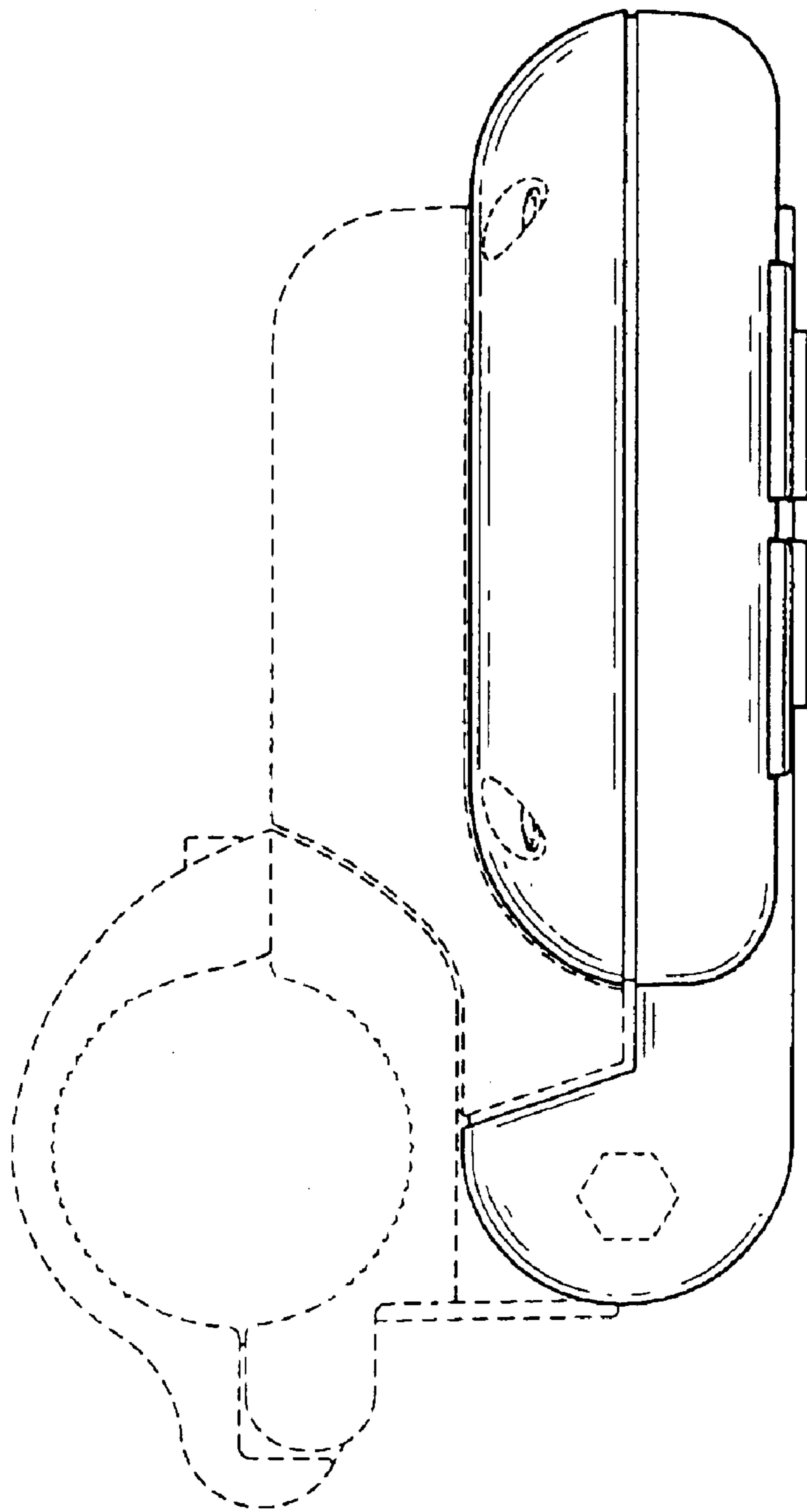
*Fig. 3*



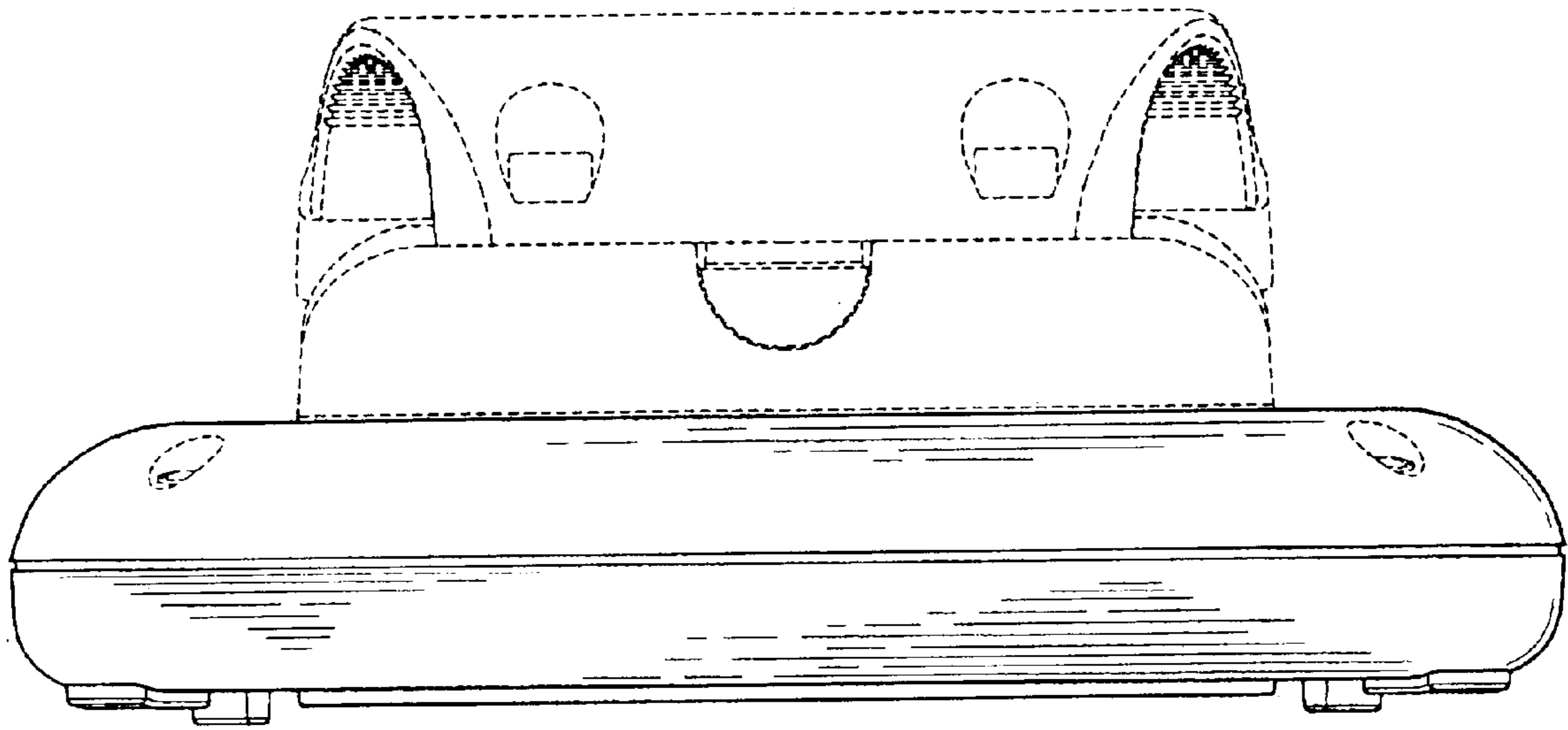
*Fig. 4*



*Fig. 5*

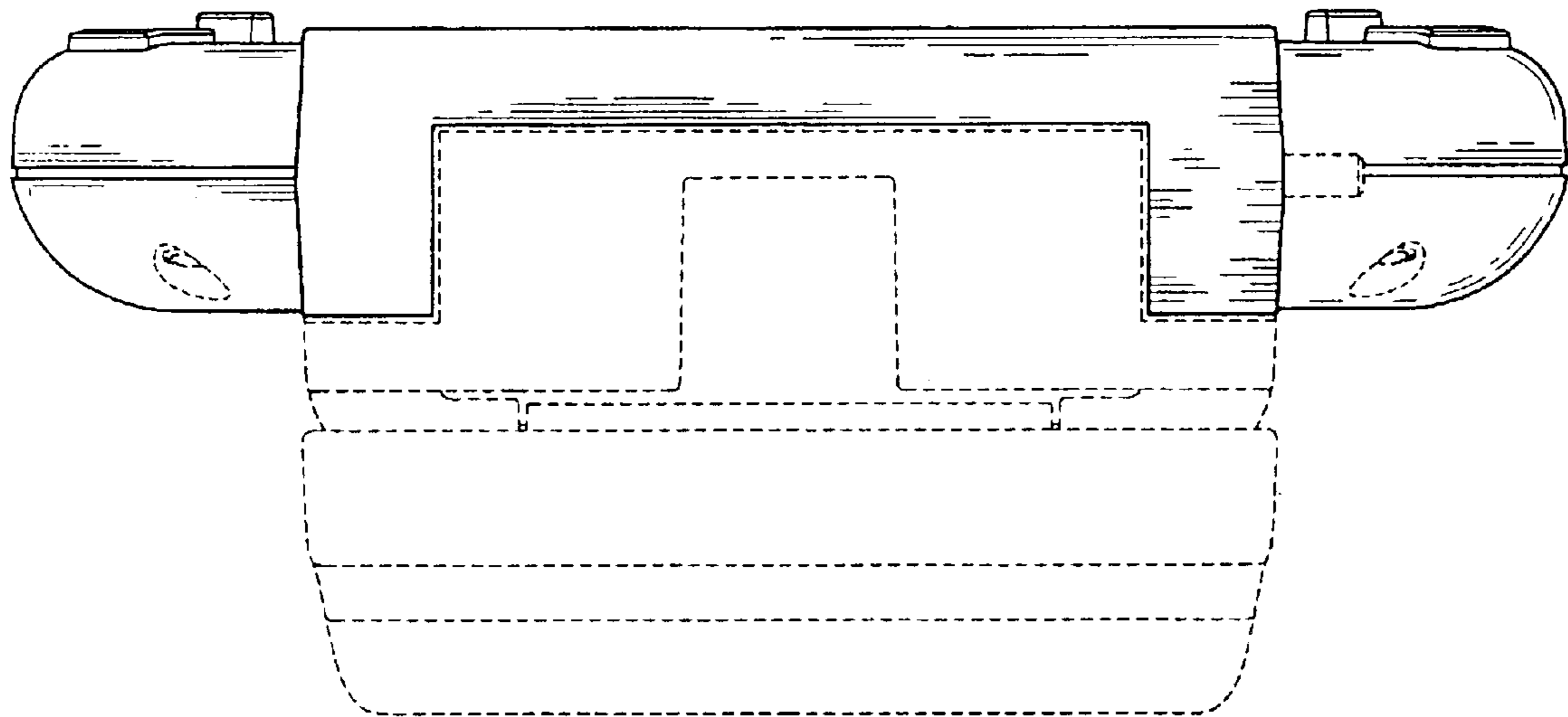


*Fig. 6*



*Fig. 7*





*Fig. 8*