



US00D528022S

(12) **United States Design Patent**  
**Kallabis**

(10) **Patent No.:** **US D528,022 S**

(45) **Date of Patent:** **\*\* Sep. 12, 2006**

(54) **LASER MEASURING DEVICE**

(75) Inventor: **Gabriel Kallabis**, Spirkelbach (DE)

(73) Assignee: **Stabila Messgerate Gustav Ulrich GmbH**, Annweiler (DE)

(\*\*) Term: **14 Years**

(21) Appl. No.: **29/220,133**

(22) Filed: **Dec. 28, 2004**

(51) **LOC (8) Cl.** ..... **10-04**

(52) **U.S. Cl.** ..... **D10/69**

(58) **Field of Classification Search** ..... D10/69;  
33/285-292, 348, 348.2, 379-383, 365; 356/247-250,  
356/365; 362/327; 372/216

See application file for complete search history.

(56) **References Cited**

**U.S. PATENT DOCUMENTS**

3,663,111 A \* 5/1972 Tsuda et al. .... 356/250  
5,666,736 A \* 9/1997 Wen ..... 33/291  
D418,432 S \* 1/2000 Krantz ..... D10/69

6,035,540 A \* 3/2000 Wu et al. .... 33/286

6,128,326 A \* 10/2000 Kousek et al. .... 356/247

D461,135 S \* 8/2002 Watson et al. .... D10/69

D469,369 S \* 1/2003 Durkin ..... D10/69

\* cited by examiner

*Primary Examiner*—Antoine D. Davis

(74) *Attorney, Agent, or Firm*—Dennison, Schultz & MacDonald

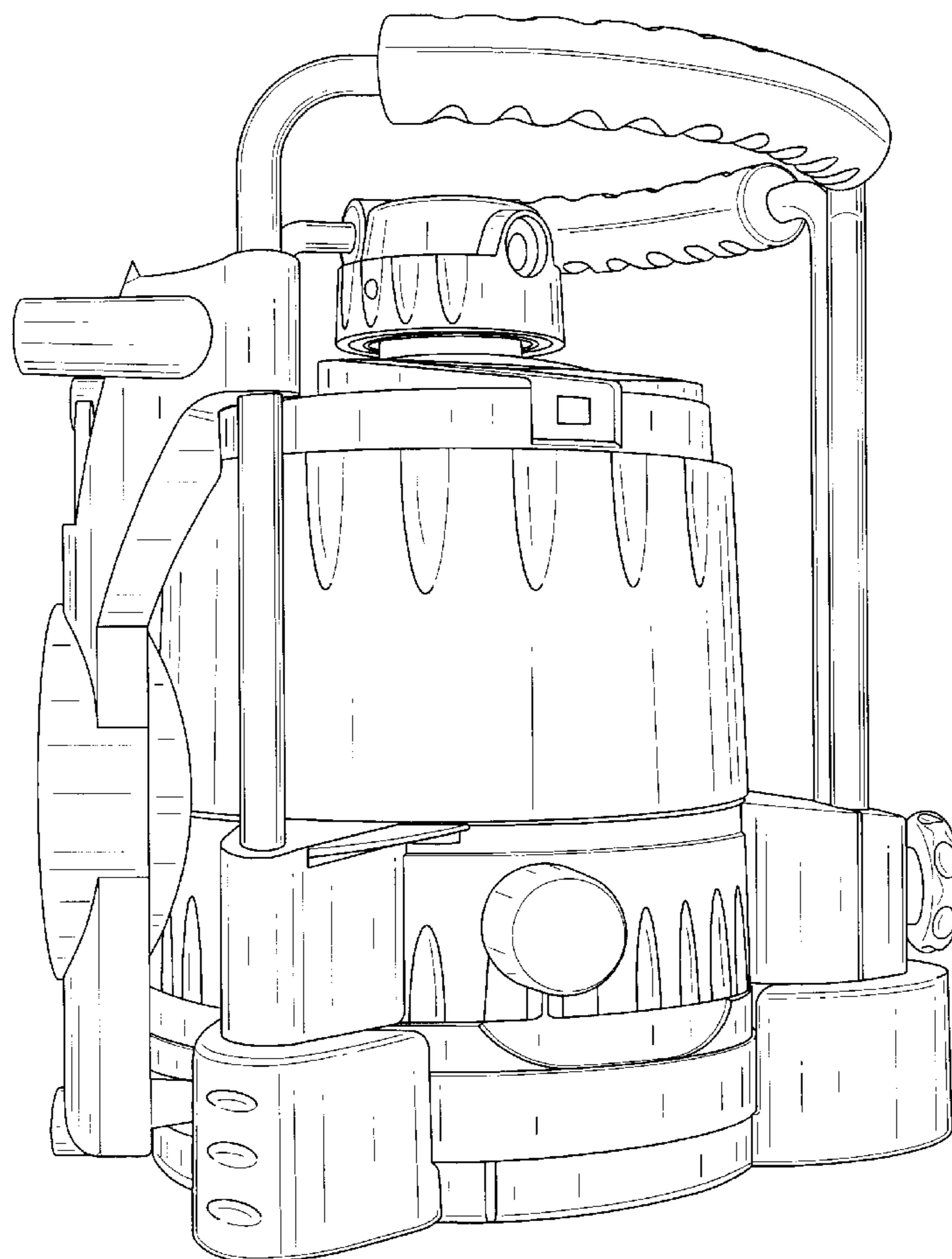
(57) **CLAIM**

The ornamental design for a laser measuring device, as shown and described.

**DESCRIPTION**

FIG. 1 is a front view;  
FIG. 2 is a rear view;  
FIG. 3 is a top side view;  
FIG. 4 is a bottom view;  
FIG. 5 is a first perspective view;  
FIG. 6 is a second perspective view; and,  
FIG. 7 is a third perspective view.

**1 Claim, 7 Drawing Sheets**



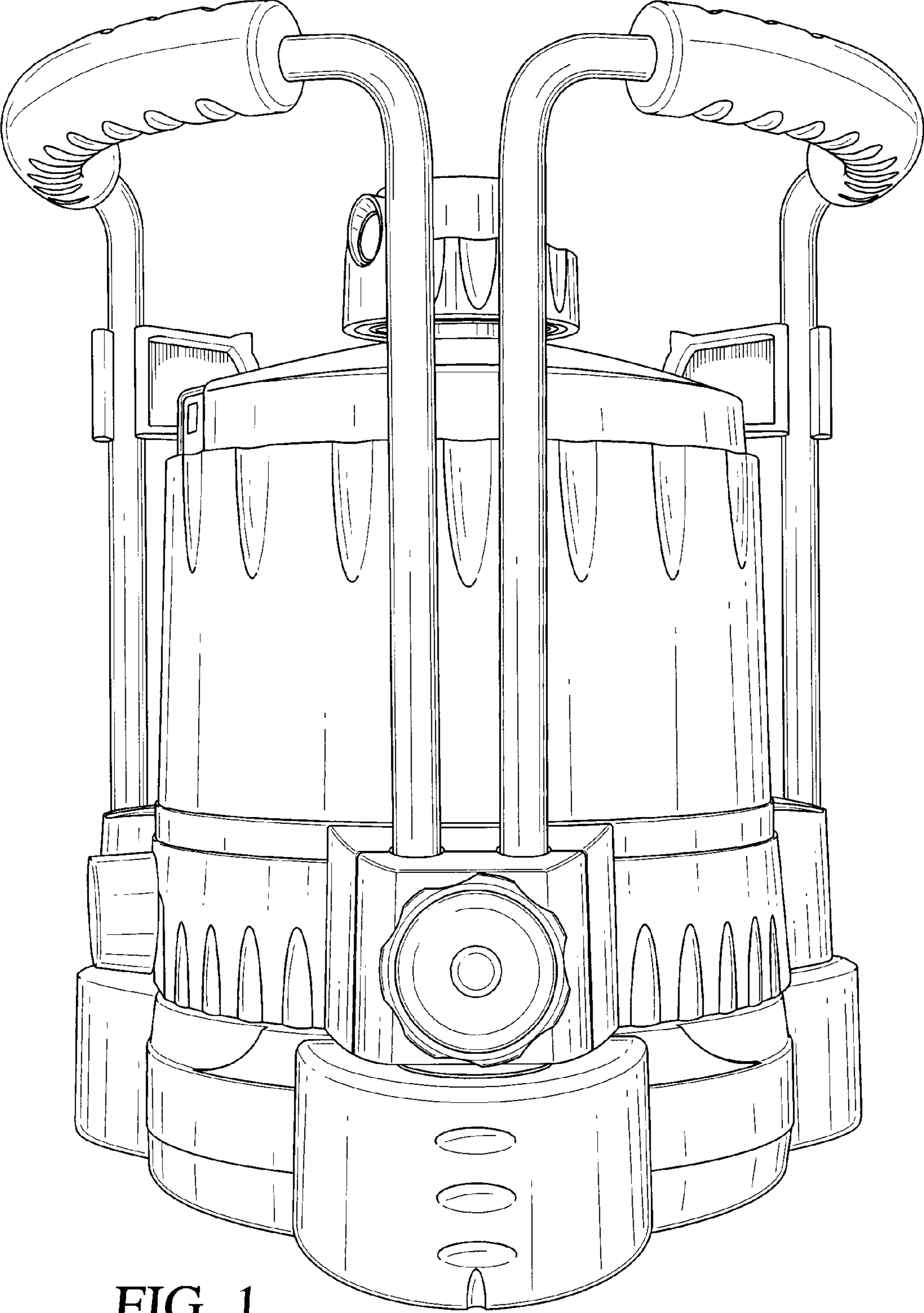


FIG. 1

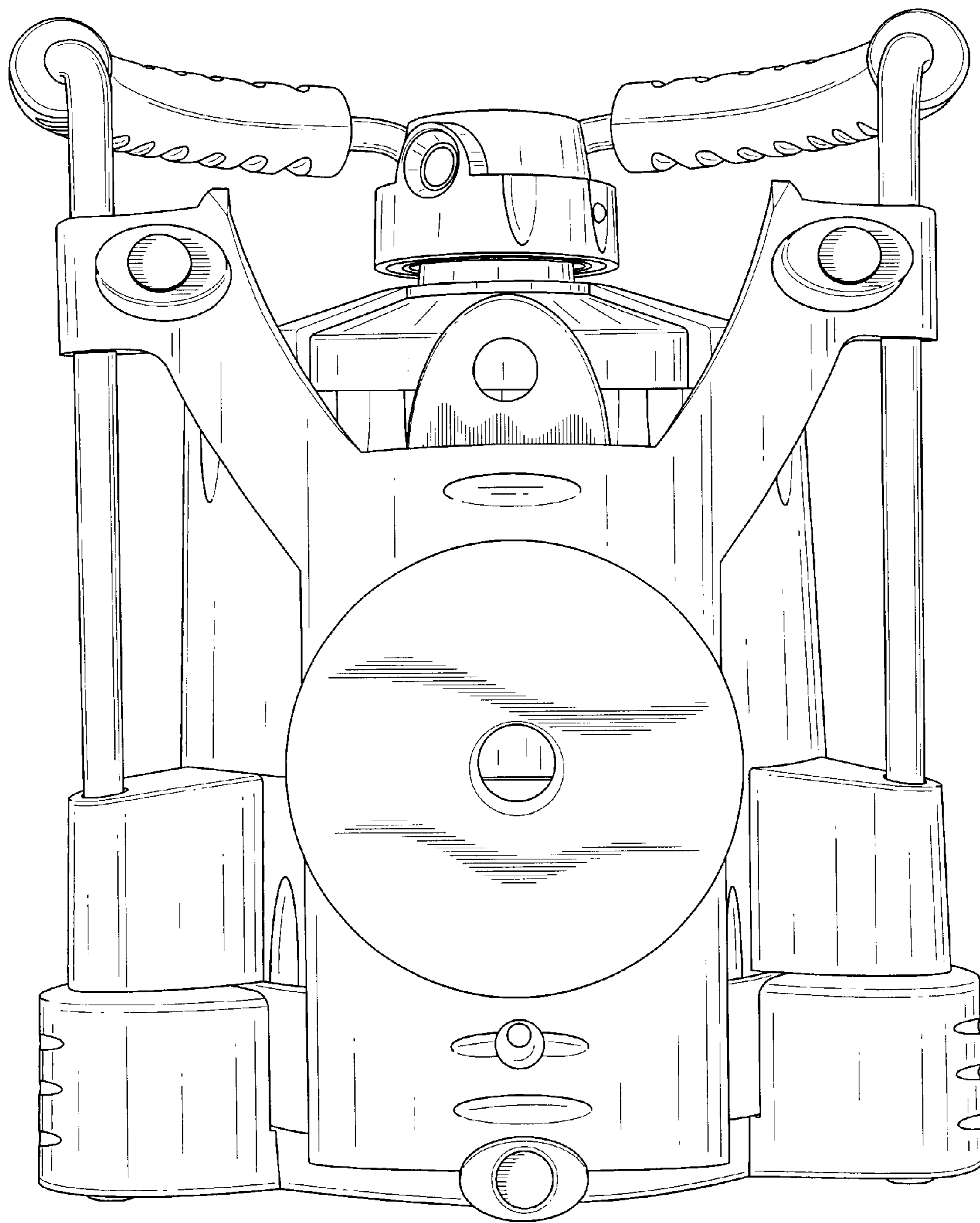


FIG. 2

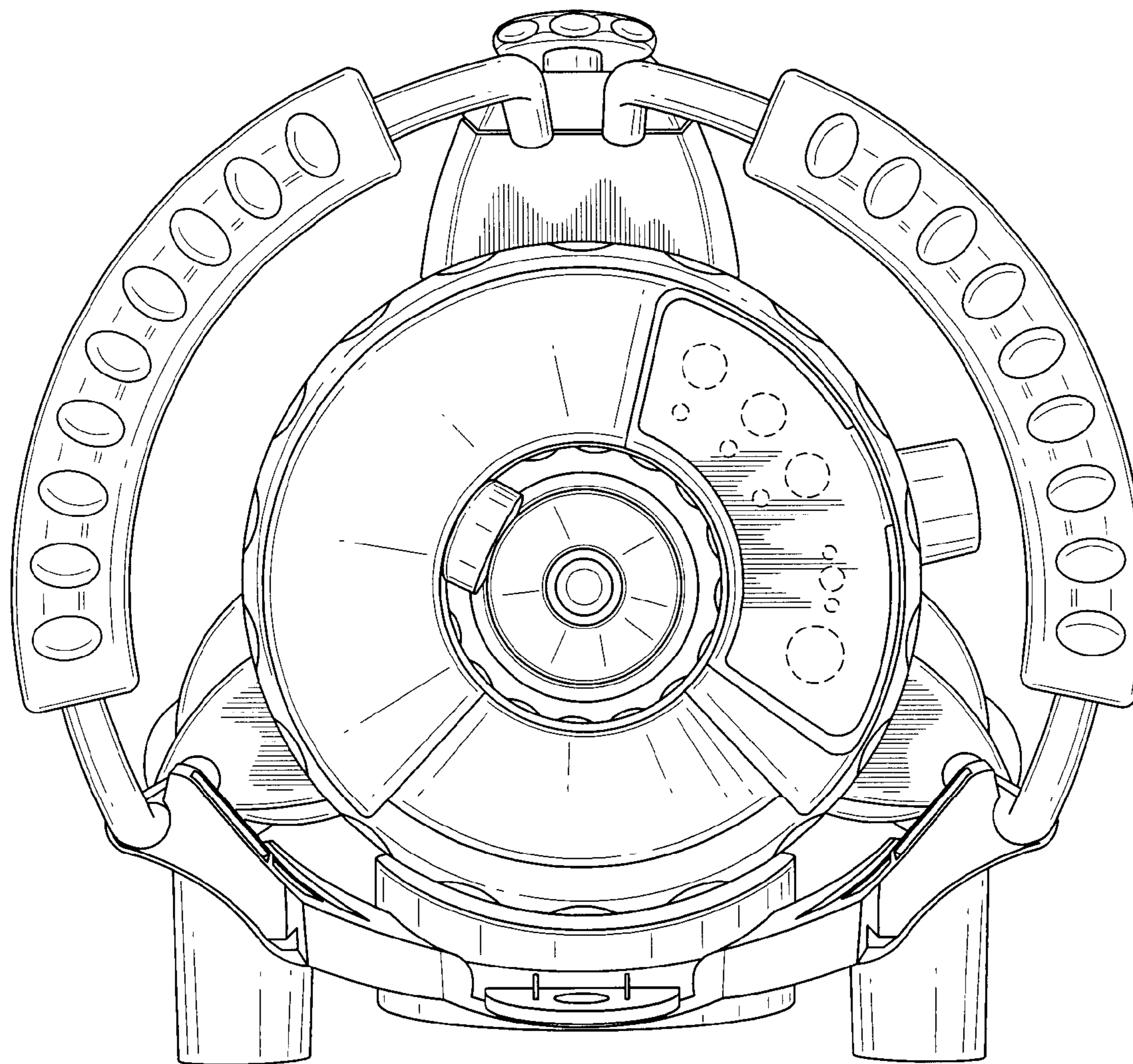


FIG. 3

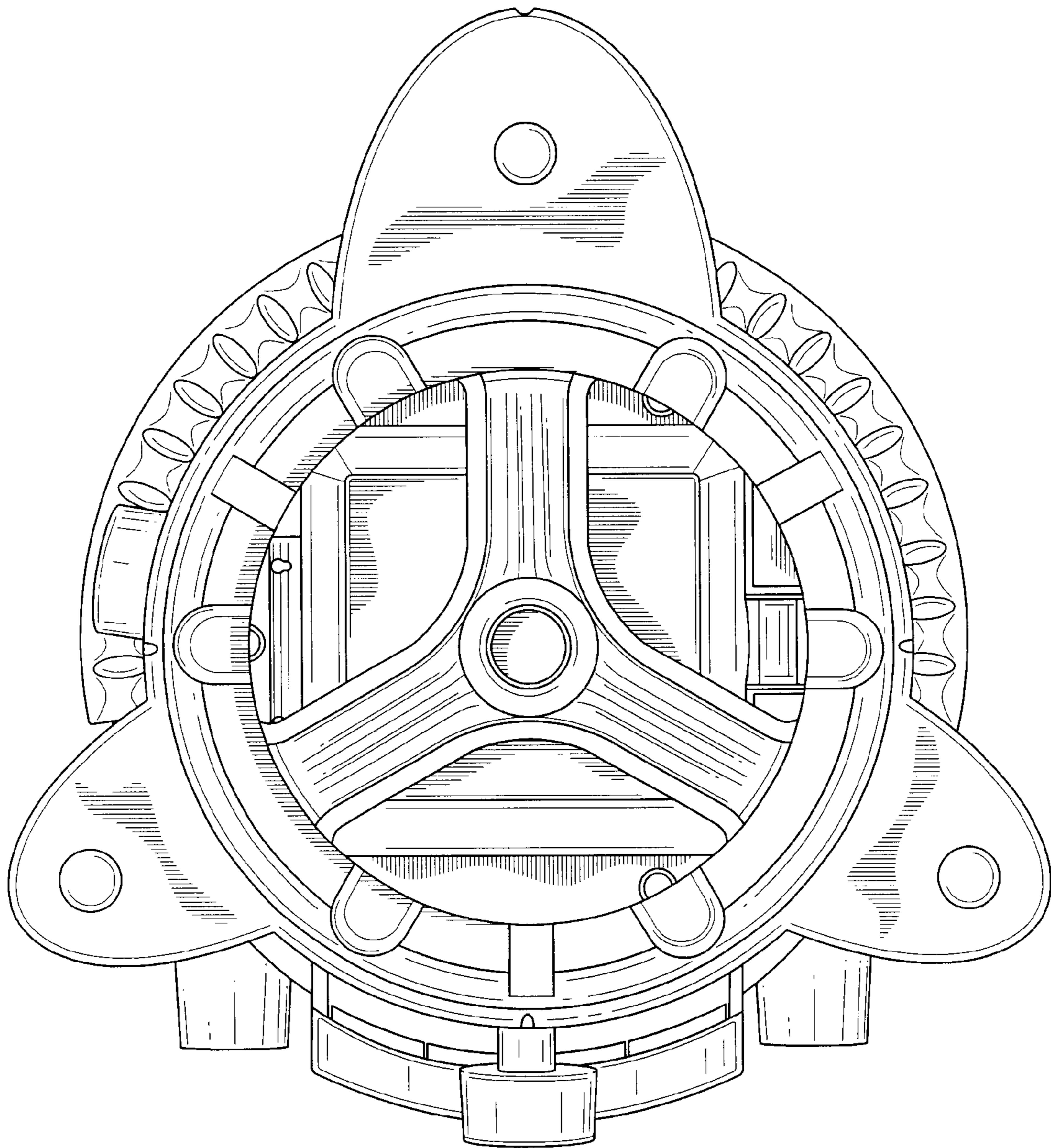


FIG. 4

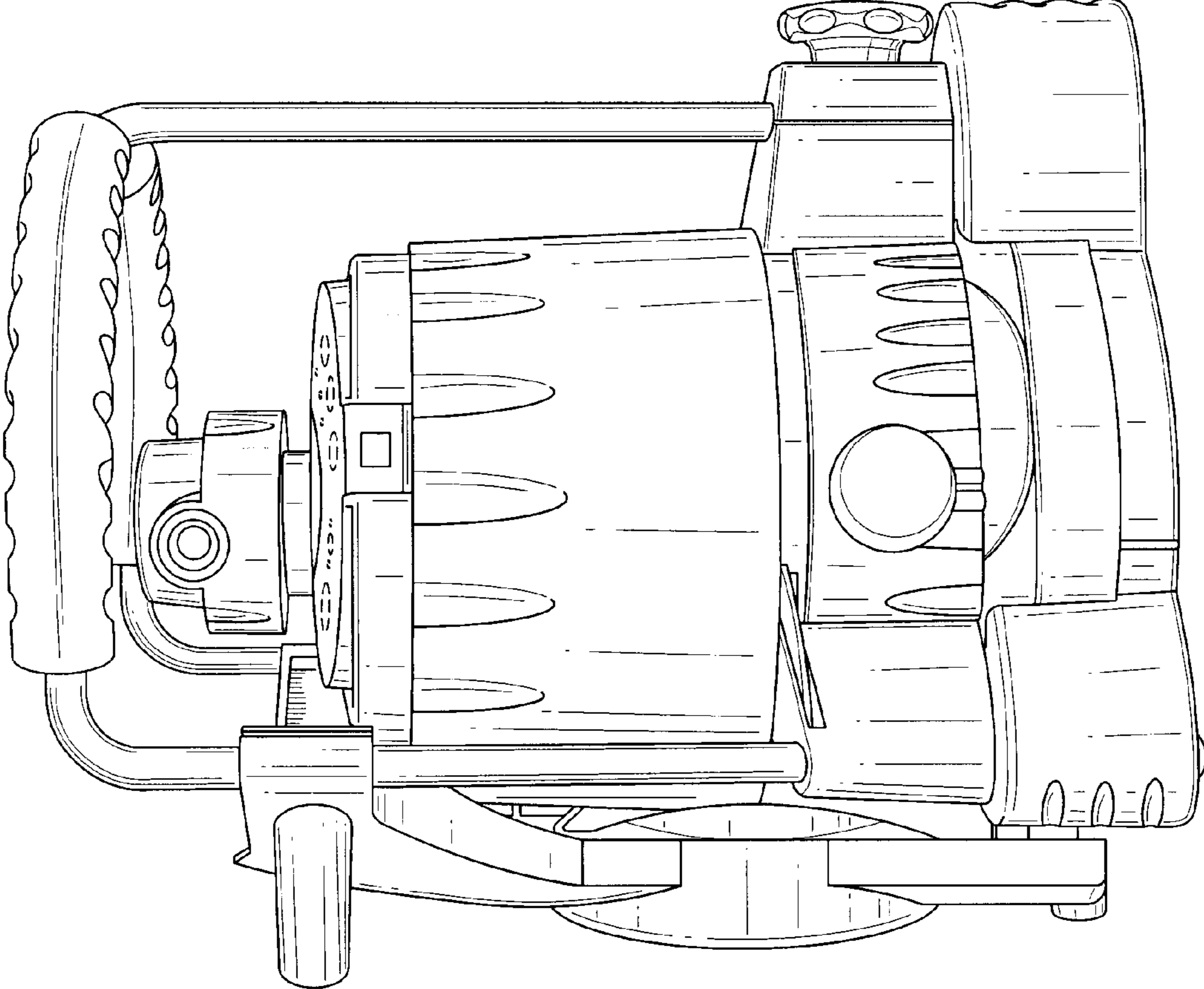


FIG. 5

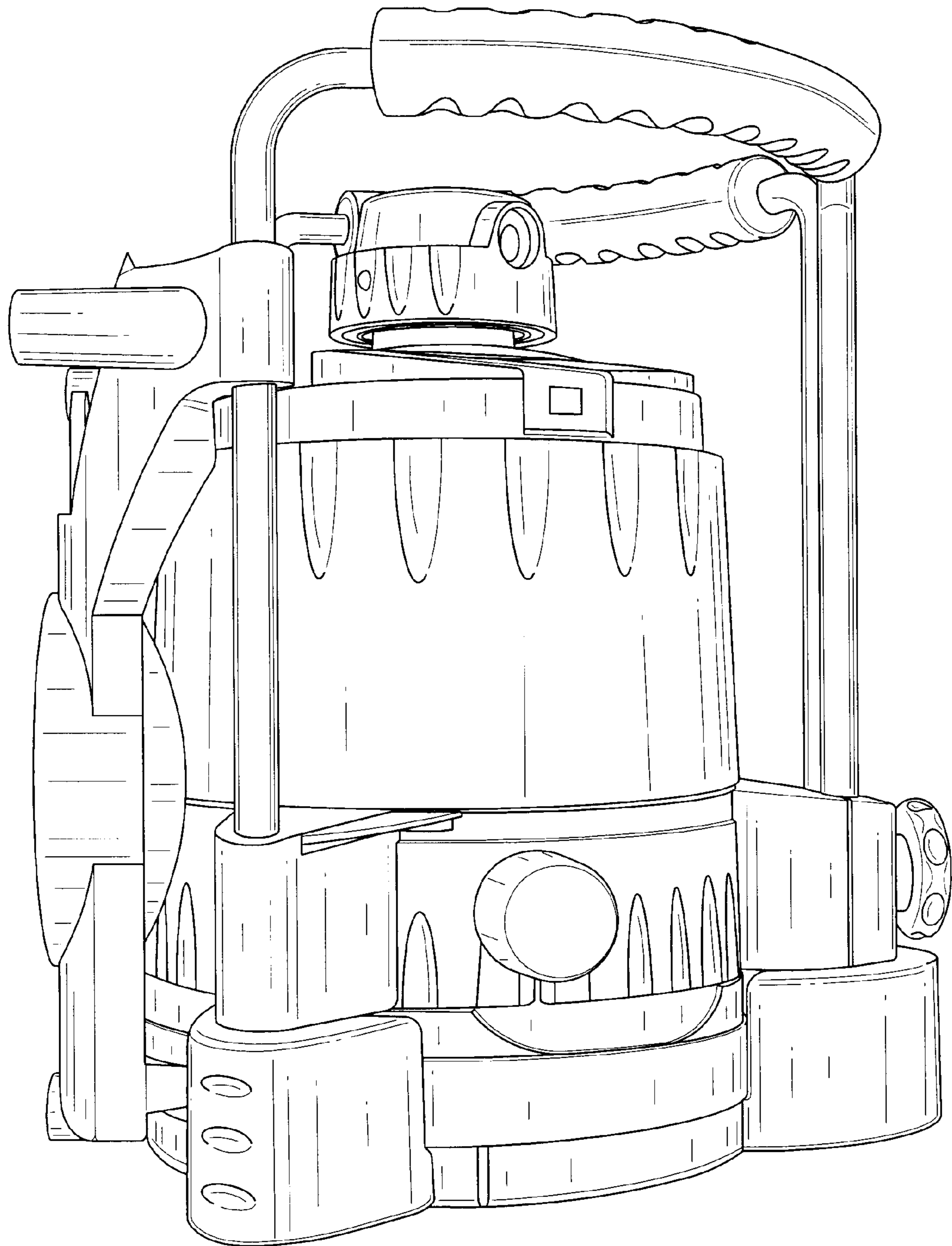


FIG. 6

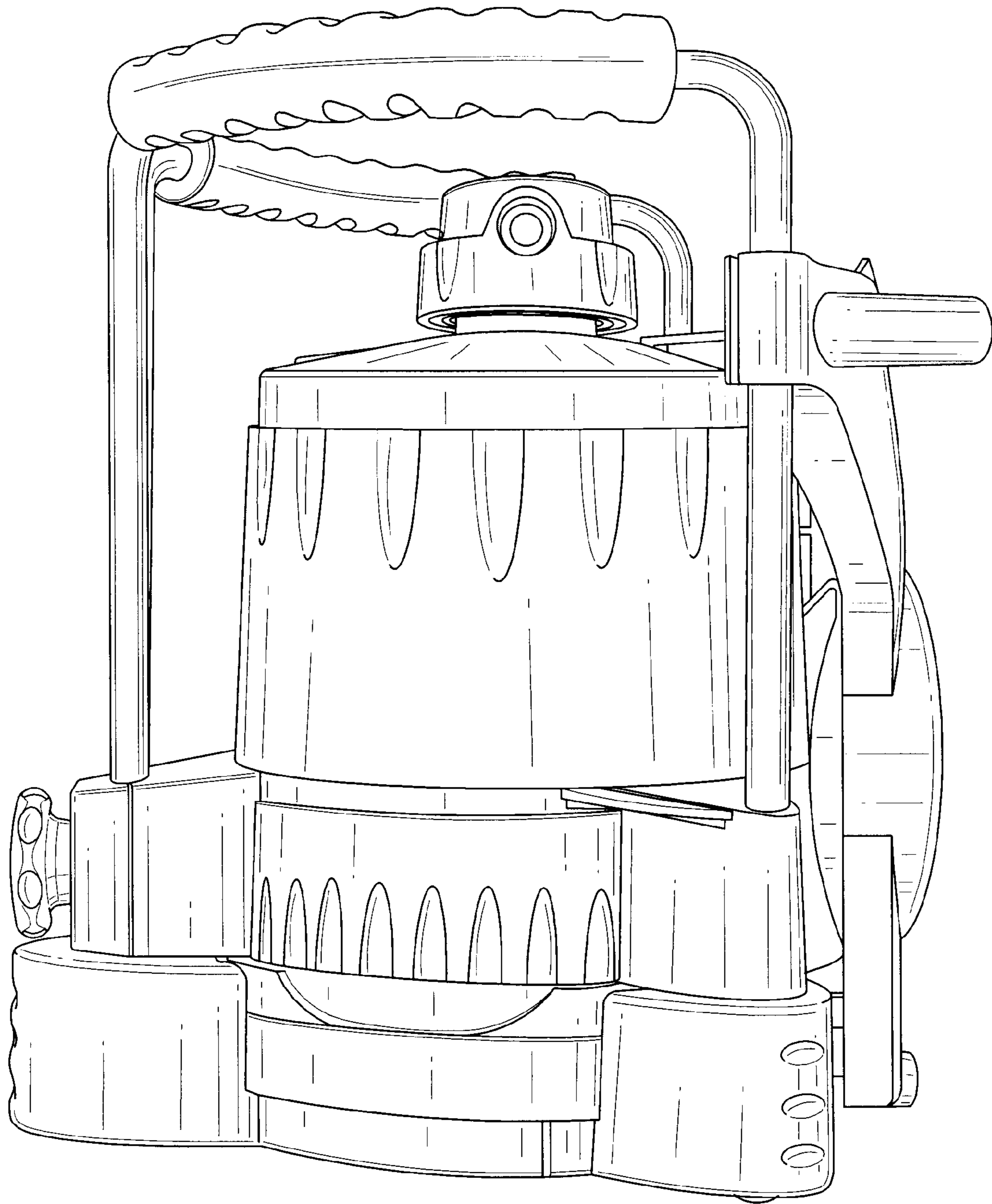


FIG. 7