

US00D528021S

(12) **United States Design Patent**
Hedderich et al.

(10) **Patent No.:** **US D528,021 S**
(45) **Date of Patent:** **** Sep. 12, 2006**

(54) **LCD WALL-MOUNTED KEYPAD WITH
ROTARY ENCODER WHEEL**

D413,073 S * 8/1999 Brechbill et al. D10/50
2006/0056306 A1 * 3/2006 Iwai et al. 370/252

(75) Inventors: **Richard C. Hedderich**, Sandy, UT
(US); **Roger T. Johnsen**, Salt Lake
City, UT (US); **Paul B. Vincent**,
Centerville, UT (US); **Gerardo David**
Ayala, Provo, UT (US); **Michael S.**
Horito, Provo, UT (US)

* cited by examiner

Primary Examiner—Antoine D. Davis
(74) *Attorney, Agent, or Firm*—Thorpe North & Western
LLP

(73) Assignee: **Control14 Corporation**, Draper, UT
(US)

(57) **CLAIM**

The ornamental design for a LCD wall-mounted keypad
with rotary encoder wheel, as shown and described.

(**) Term: **14 Years**

DESCRIPTION

(21) Appl. No.: **29/212,777**

(22) Filed: **Sep. 7, 2004**

(51) **LOC (8) Cl.** **10-04**

(52) **U.S. Cl.** **D10/49**

(58) **Field of Classification Search** D10/49,
D10/50, 125; D13/162, 162.1; 174/66; 370/252,
370/254; 385/1.15

See application file for complete search history.

FIG. 1 is an elevated, perspective view of the LCD wall-
mounted keypad with rotary encoder wheel in accordance
with our invention;

FIG. 2 is a front view thereof;

FIG. 3 is a side view thereof; and,

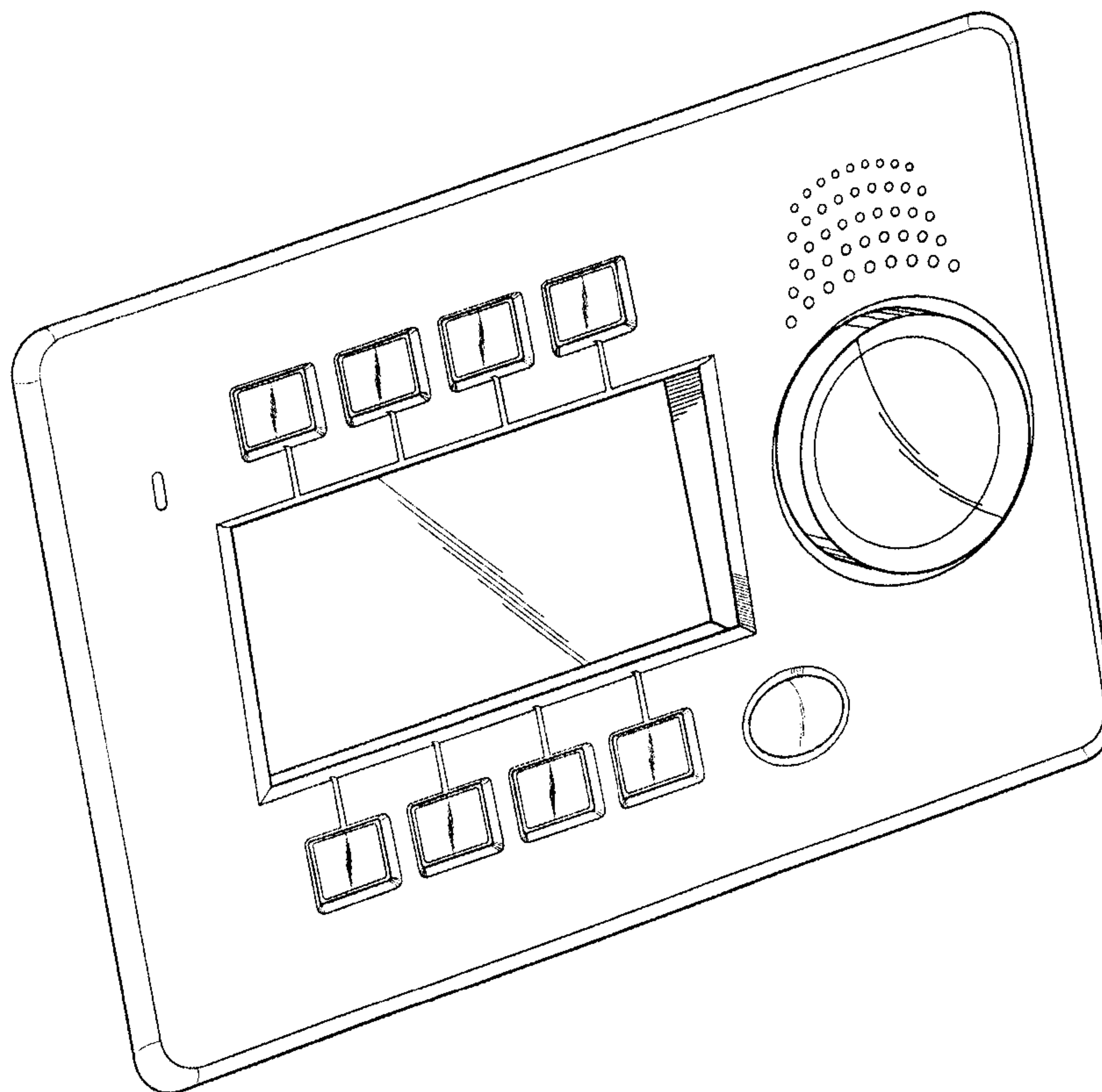
FIG. 4 is a bottom view of our invention as shown in FIG.
1.

(56) **References Cited**

U.S. PATENT DOCUMENTS

D394,220 S * 5/1998 Morrow et al. D10/50

1 Claim, 4 Drawing Sheets



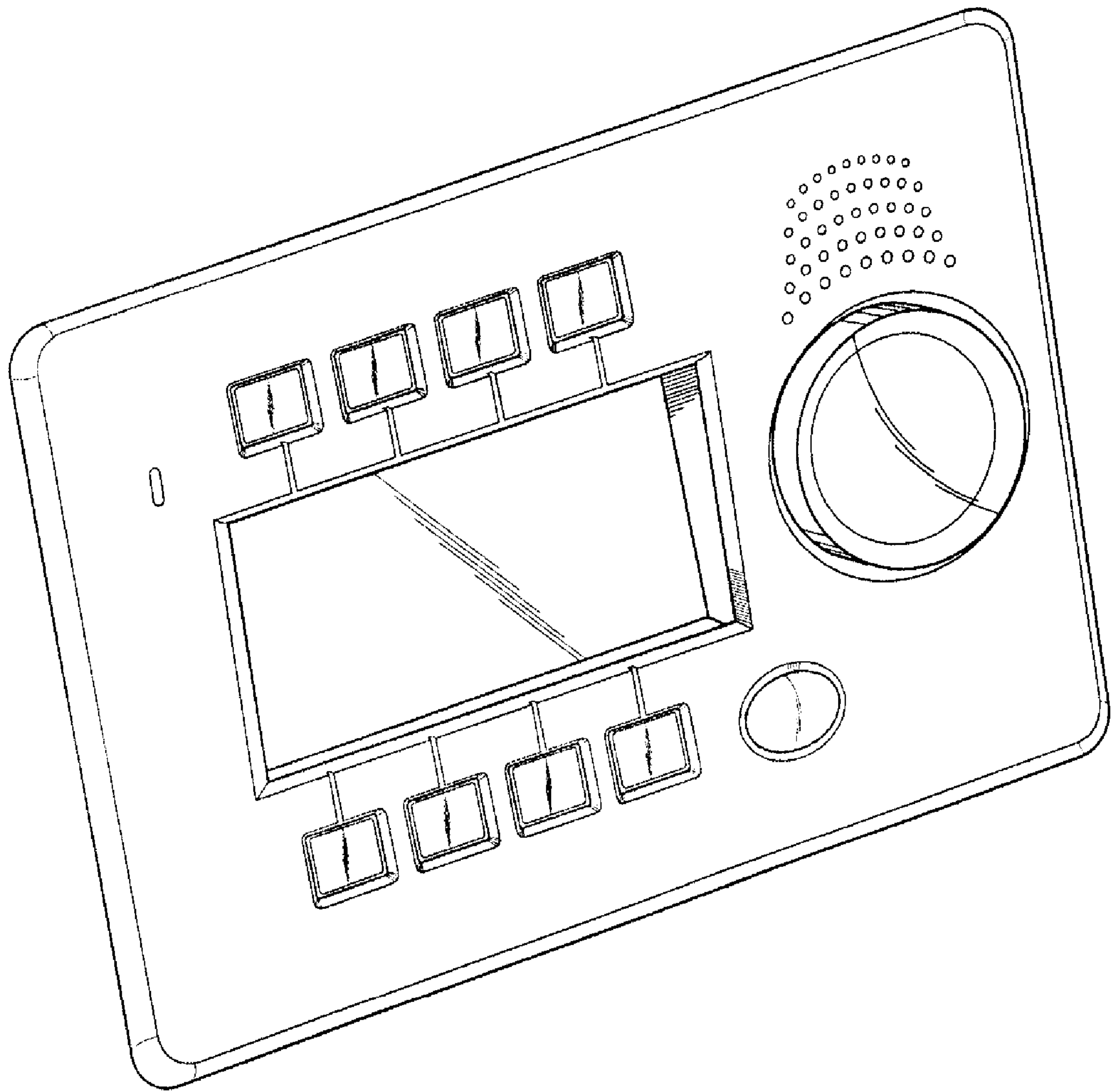


Fig. 1

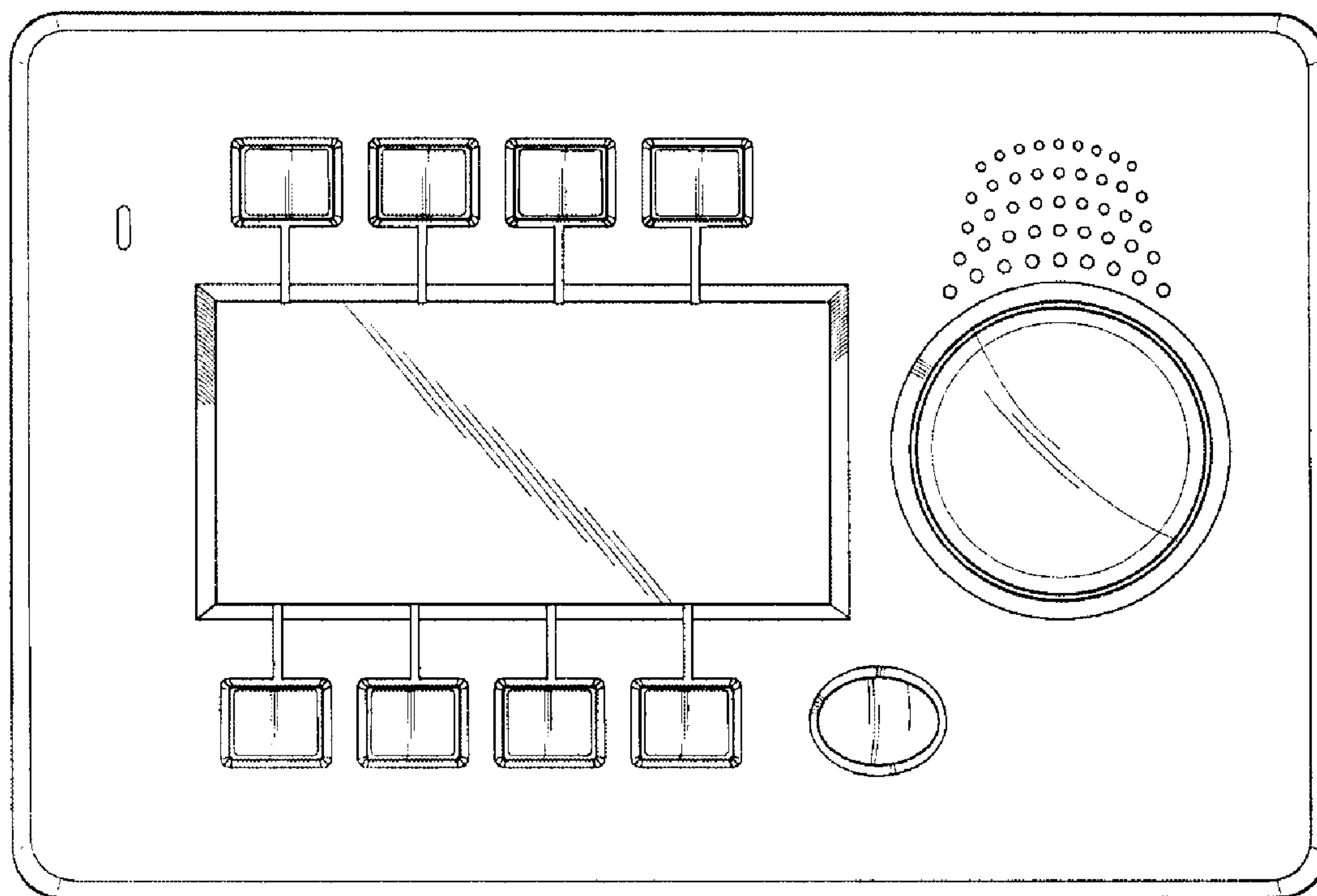


Fig. 2

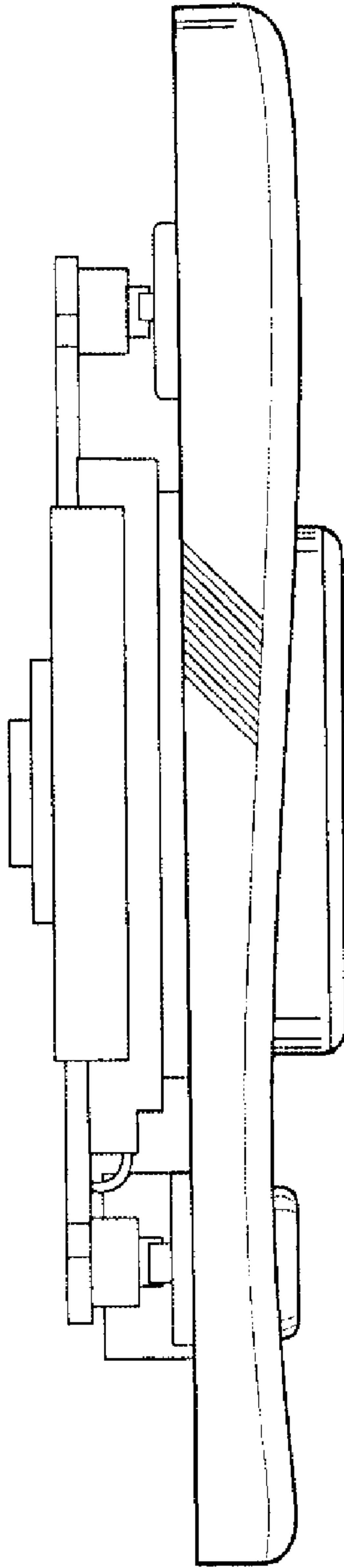


Fig. 3

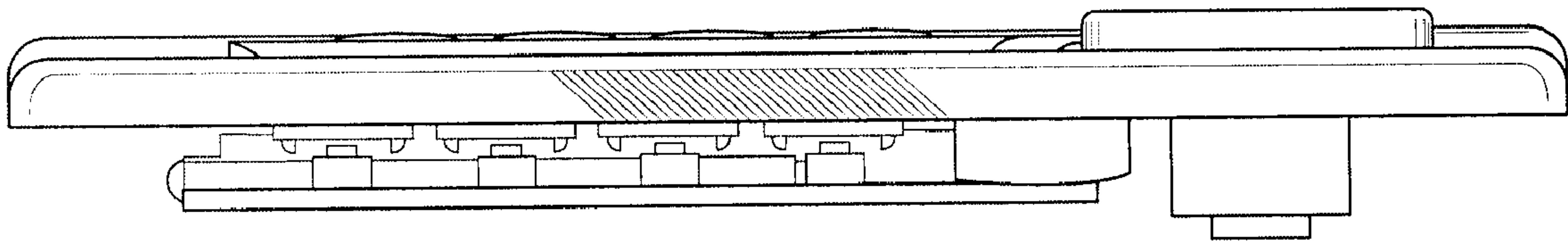


Fig. 4